



US00D578314S

(12) **United States Design Patent**
Kalaouze

(10) **Patent No.:** **US D578,314 S**

(45) **Date of Patent:** **** Oct. 14, 2008**

(54) **SIDE TO SIDE ROCKING CHAIR**

(57) **CLAIM**

(76) **Inventor:** **Fadi Kalaouze**, 1516 Shiloh Ave., Suite A2, Bryan, TX (US) 77803

The ornamental design for a side to side rocking chair, as shown and described.

(**) **Term:** **14 Years**

DESCRIPTION

(21) **Appl. No.:** **29/305,014**

FIG. 1 is a first front perspective view of a side to side rocking chair.

(22) **Filed:** **Mar. 12, 2008**

FIG. 2 is a second front perspective view of the side to side rocking chair shown in FIG. 1.

(51) **LOC (8) Cl.** **06-01**

(52) **U.S. Cl.** **D6/348; D6/370**

FIG. 3 is a top plan view of the side to side rocking chair shown in FIG. 1.

(58) **Field of Classification Search** D6/334-336,
D6/344, 345, 348, 370, 374, 376, 379, 380,
D6/500-502; 297/258.1, 271.5, 271.6, 272.1,
297/440.1, 440.18, 411.43, 445.1, 446.1,
297/447.4, 452.63

FIG. 4 is a front view of the side to side rocking chair shown in FIG. 1.

See application file for complete search history.

FIG. 5 is a bottom plan view of the side to side rocking chair shown in FIG. 1.

(56) **References Cited**

FIG. 6 is a back view of the side to side rocking chair shown in FIG. 1.

U.S. PATENT DOCUMENTS

FIG. 7 is a first back perspective view of the side to side rocking chair shown in FIG. 1; and,

244,104	A *	7/1881	Andrews	297/272.1
5,350,218	A *	9/1994	Perkins	297/440.1
6,024,409	A *	2/2000	Collins	297/271.6
D459,597	S *	7/2002	Calvey	D6/348

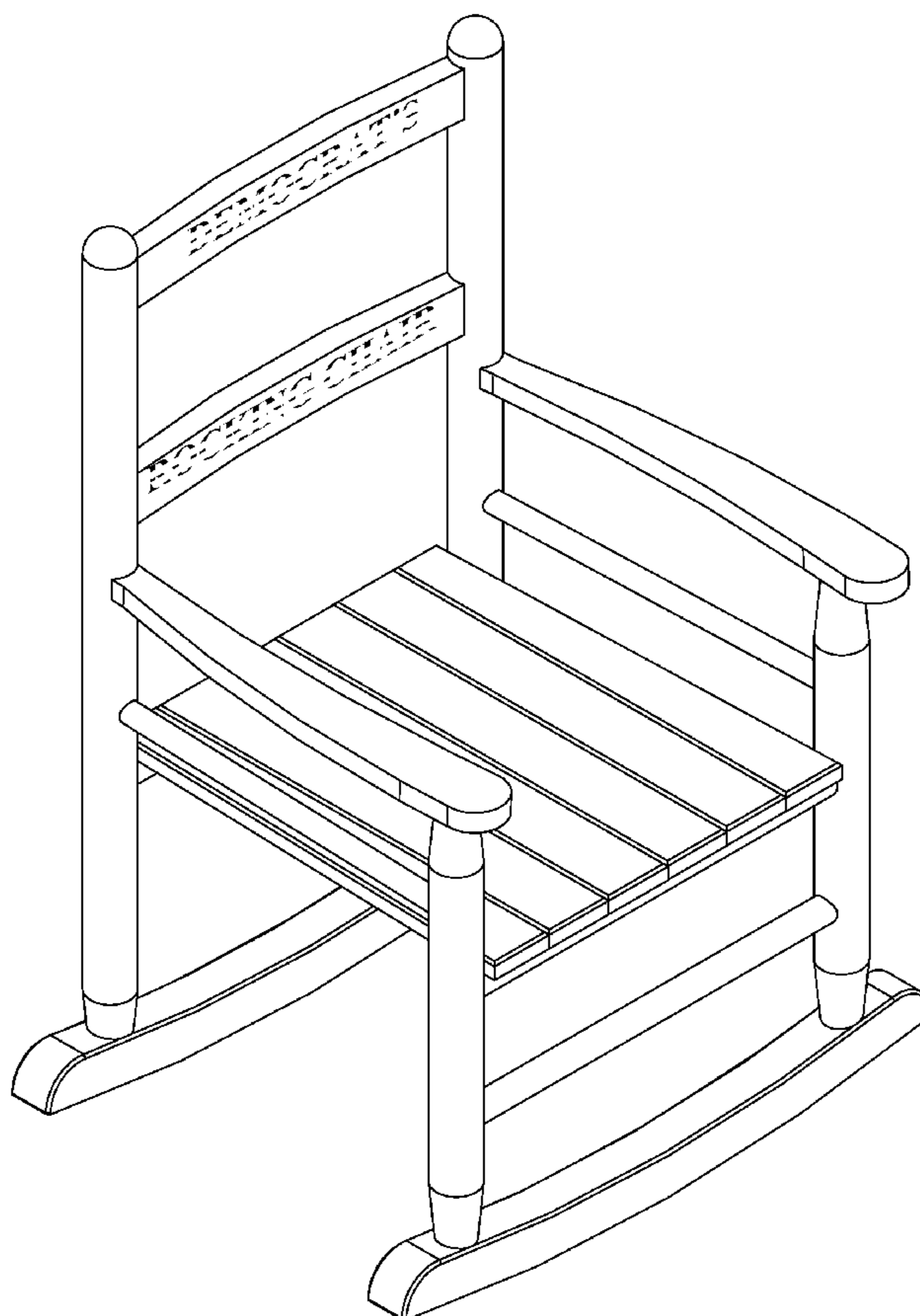
FIG. 8 is a second back perspective view of the side to side rocking chair shown in FIG. 1.

* cited by examiner

The broken lines showing of the written words on the backrest are not part of the claimed design.

Primary Examiner—Mimosa De

1 Claim, 8 Drawing Sheets



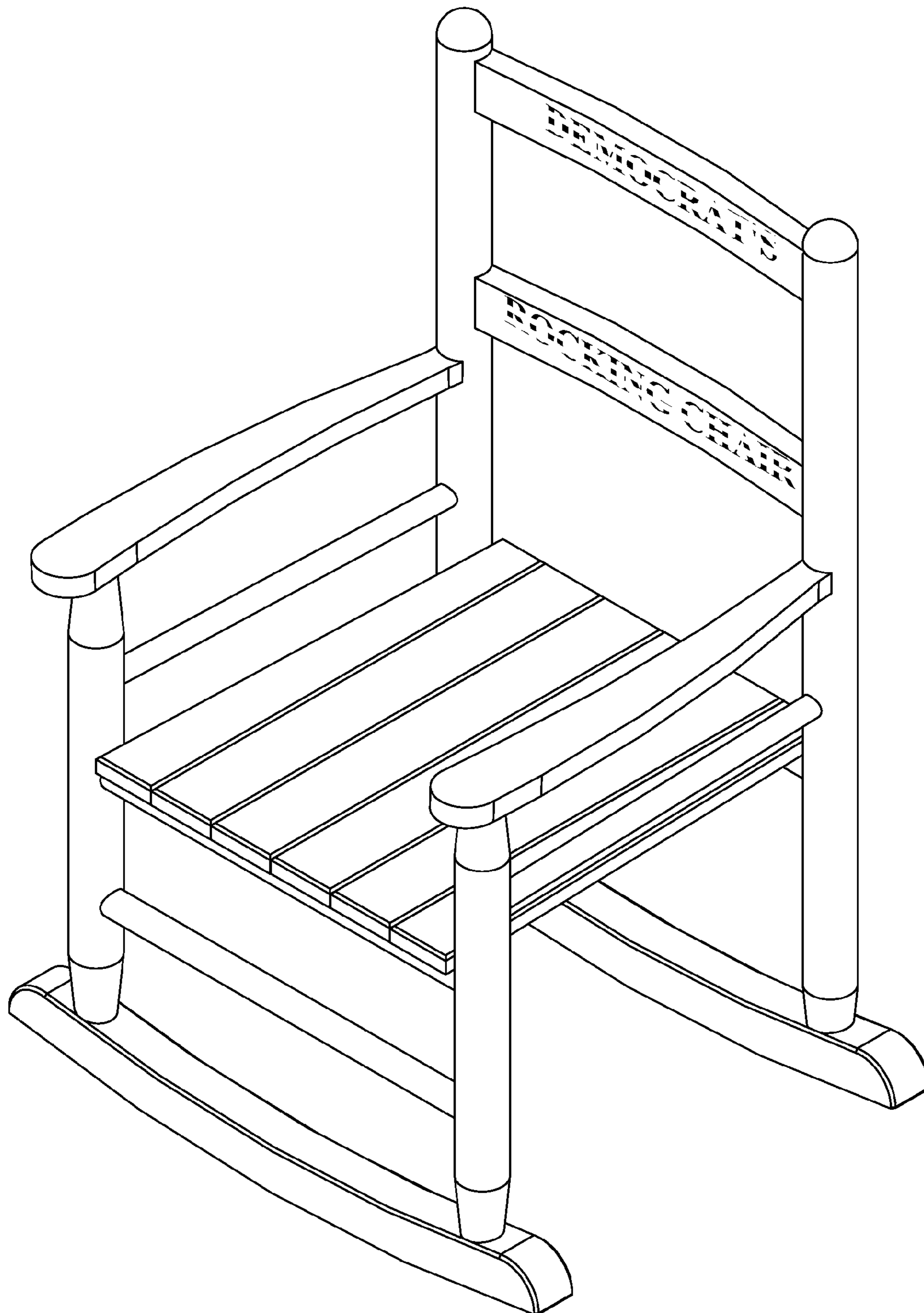


FIGURE 1

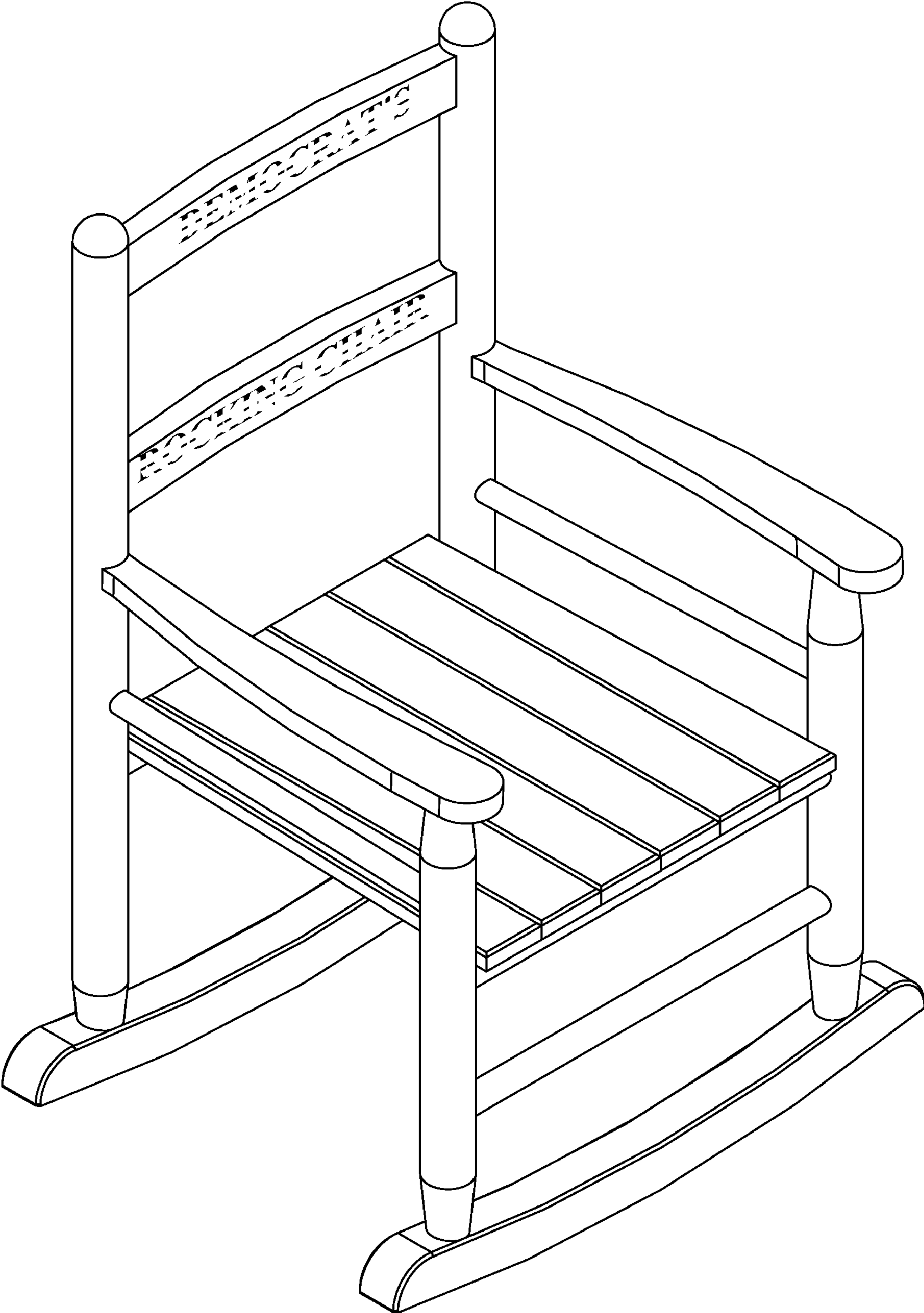


FIGURE 2

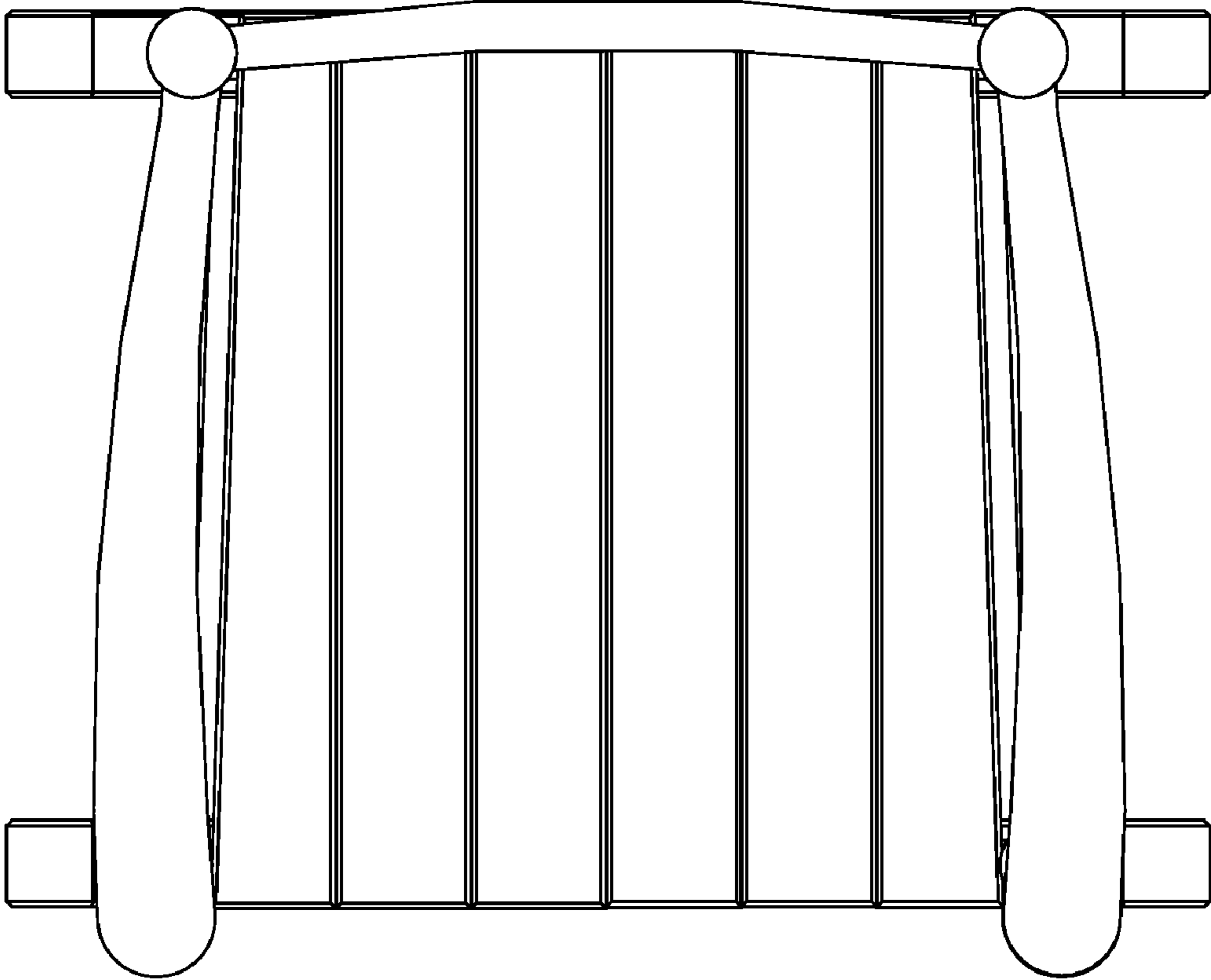


FIGURE 3

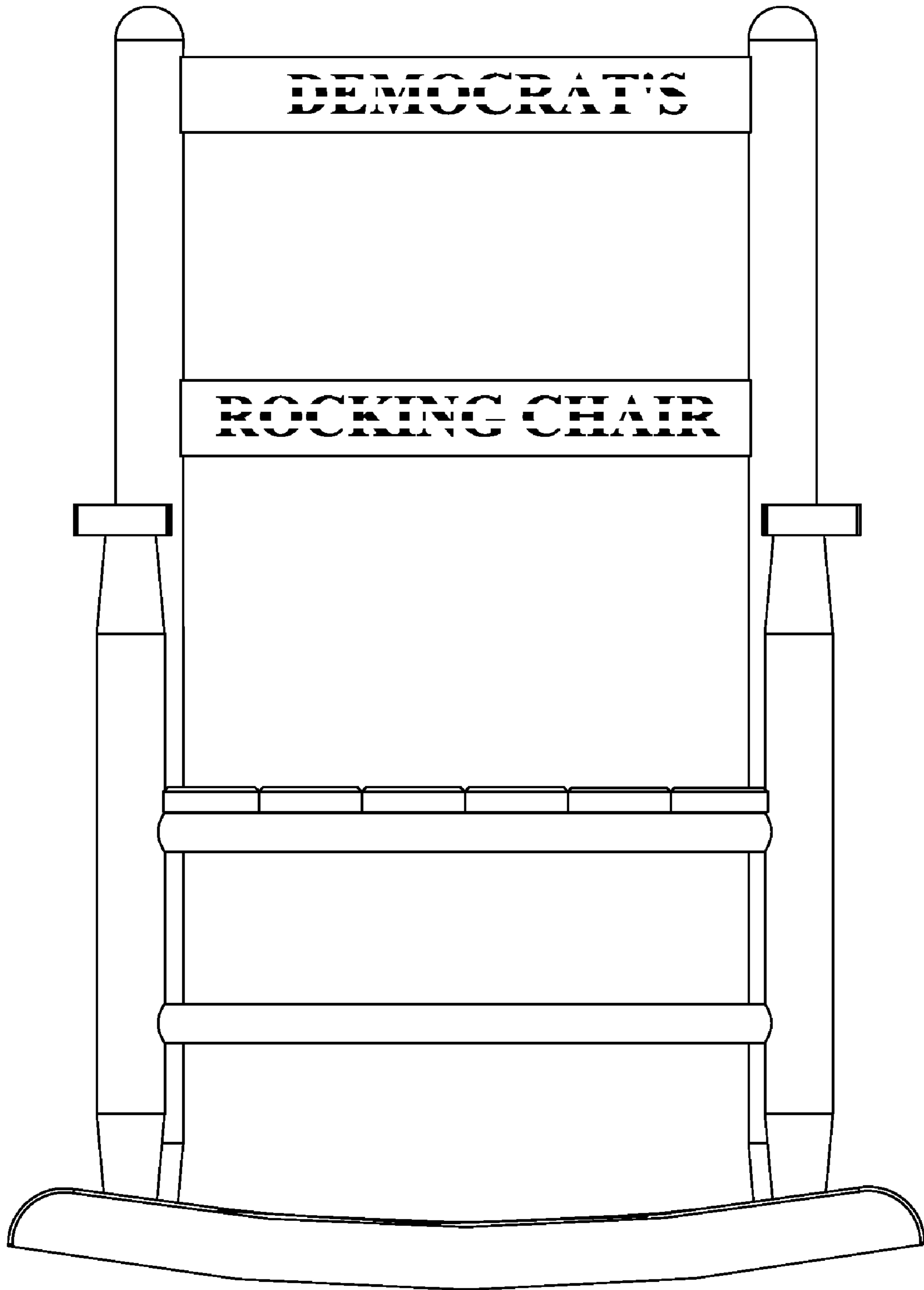


FIGURE 4

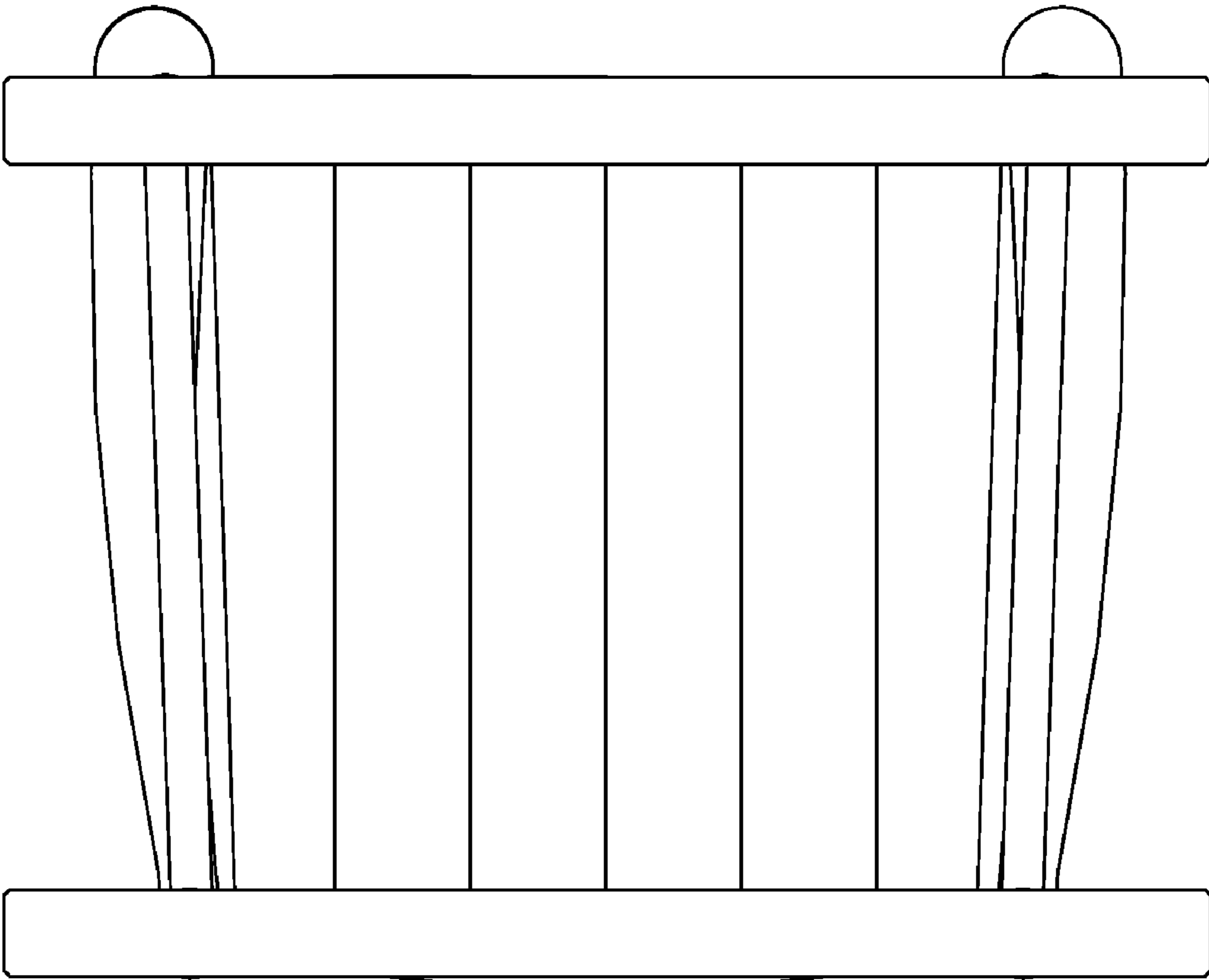


FIGURE 5

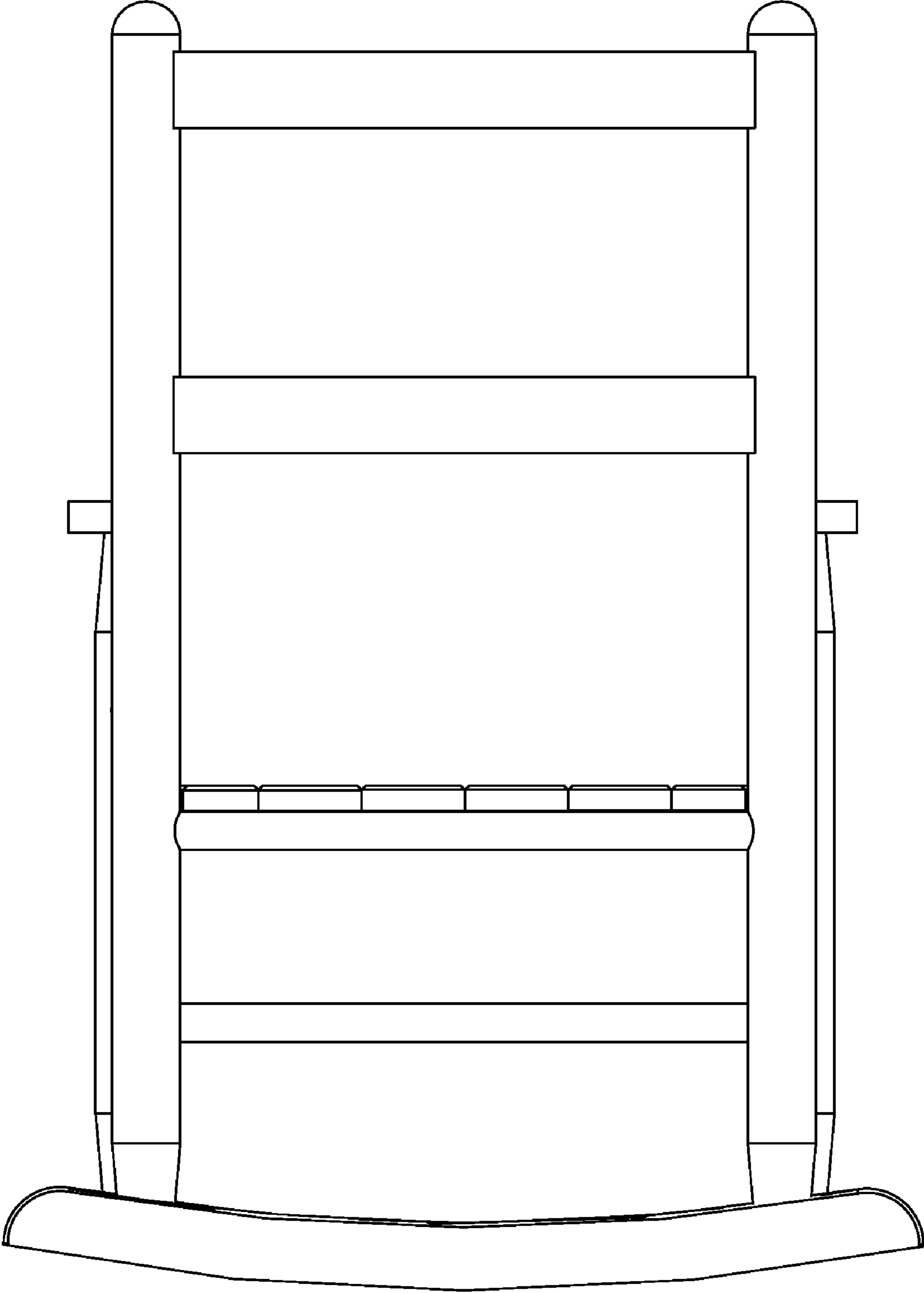


FIGURE 6

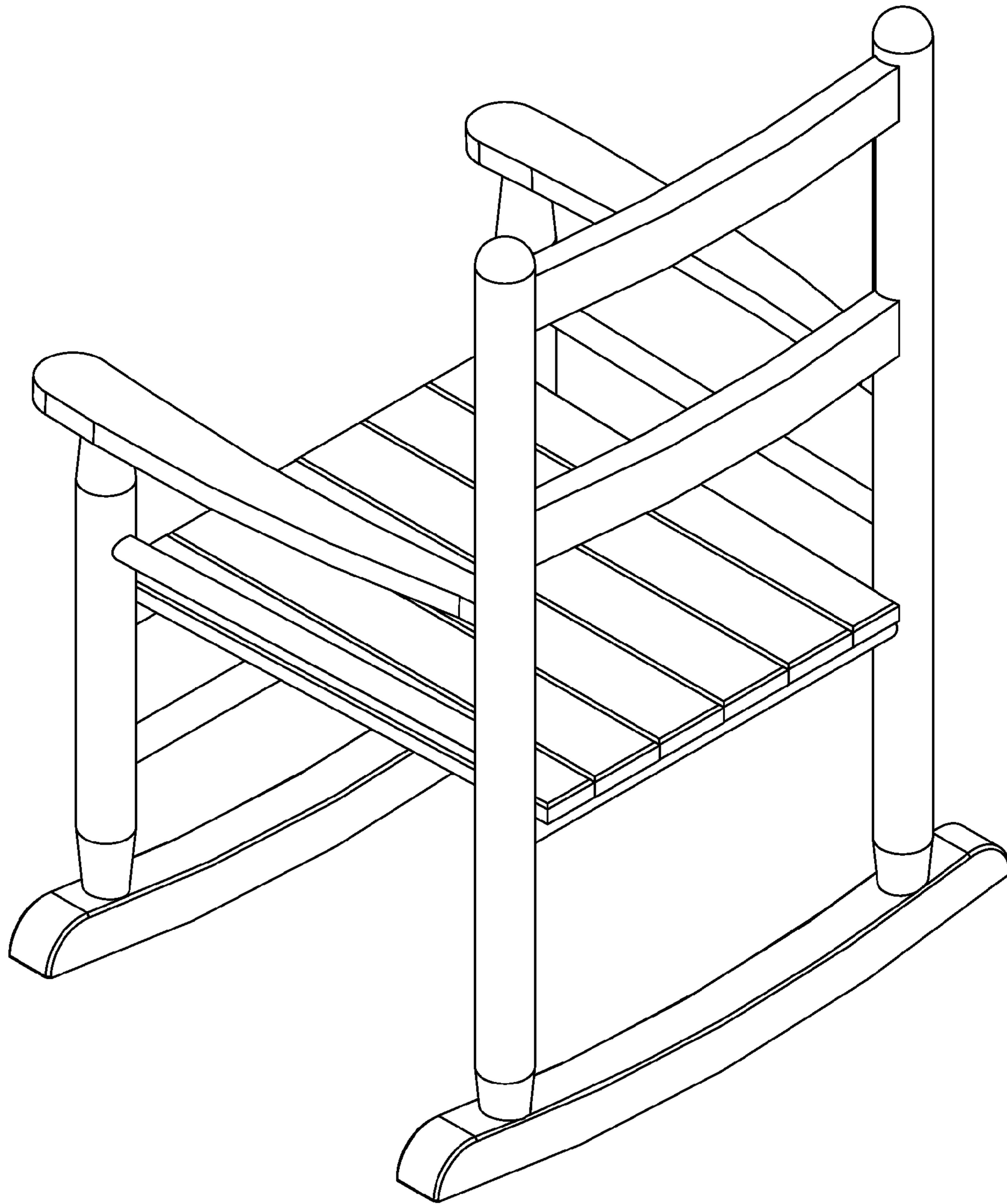


FIGURE 7

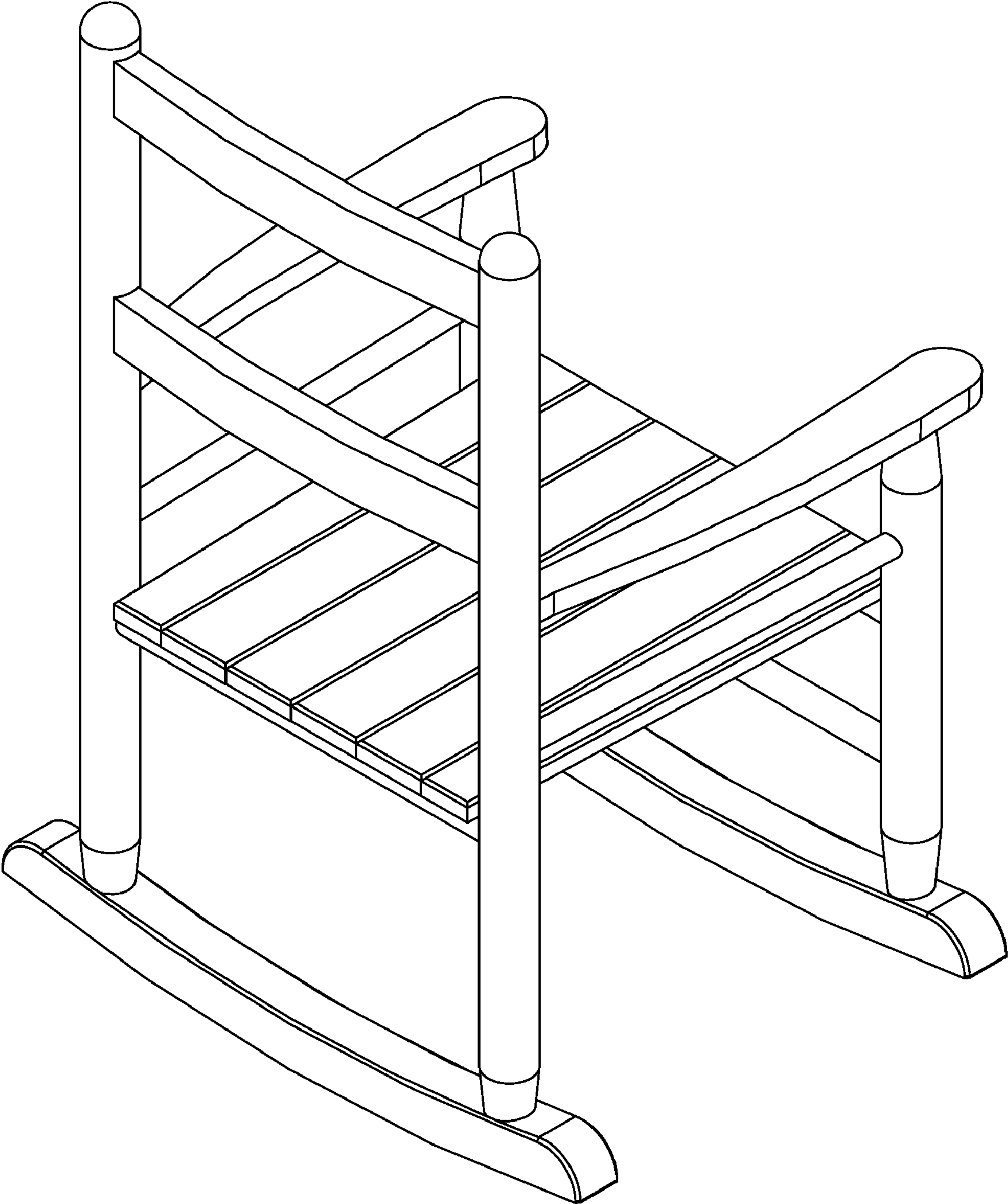


FIGURE 8