



US00D578311S

(12) **United States Design Patent**
Cooley

(10) **Patent No.:** **US D578,311 S**
(45) **Date of Patent:** **** *Oct. 14, 2008**

(54) **PICTURE FRAME**
(75) Inventor: **Adriane Cooley**, Davidson, NC (US)
(73) Assignee: **Burnes Home Accents, LLC**, Round Rock, TX (US)
(*) Notice: This patent is subject to a terminal disclaimer.
(**) Term: **14 Years**

5,619,816 A 4/1997 Ellison
D387,566 S 12/1997 Celentano et al.
D391,406 S 3/1998 Field
D393,636 S 4/1998 Jones et al.
D396,636 S 8/1998 Wilfong
D401,768 S 12/1998 Leung
D406,047 S 2/1999 Scherer et al.
D406,699 S 3/1999 Mullen
D415,356 S 10/1999 Trombly
D430,478 S 9/2000 De brey et al.
D436,255 S 1/2001 Colby

(Continued)

(21) Appl. No.: **29/262,398**

FOREIGN PATENT DOCUMENTS

(22) Filed: **Jun. 29, 2006**

DE 4405518 9/1995

(Continued)

(51) **LOC (8) Cl.** **06-07**

(52) **U.S. Cl.** **D6/310**

(58) **Field of Classification Search** D6/300-314,
D6/568, 444; 40/700, 711, 722, 734, 738,
40/745, 747, 765, 790, 798, 774, 776; D19/26;
D23/366

See application file for complete search history.

OTHER PUBLICATIONS

Four photographs representing prior art photo frames.

Primary Examiner—Caron D. Veynar

Assistant Examiner—Sydney R. Buffalow

(74) *Attorney, Agent, or Firm*—Ropes & Gray LLP

(56) **References Cited**

(57) **CLAIM**

U.S. PATENT DOCUMENTS

The ornamental design for a picture frame, as shown and described.

676,373 A 6/1901 Simpson
D165,859 S 2/1952 Nemes
D168,325 S * 12/1952 Abrams D6/300
2,961,789 A 11/1960 Hughes
2,968,108 A 1/1961 Knox
3,041,762 A 7/1962 Knox
3,041,918 A 7/1962 Papke
D240,492 S * 7/1976 Burin D6/311
4,192,905 A 3/1980 Scheibal
D270,064 S 8/1983 Ackeret
D271,359 S 11/1983 Le
D280,469 S 9/1985 Heyman et al.
4,939,858 A 7/1990 Steinke
D323,356 S 1/1992 Hofman
D324,780 S * 3/1992 Sebesta D6/303
D332,702 S * 1/1993 Kaga et al. D6/310
D338,884 S 8/1993 Toedter
5,265,357 A 11/1993 Yu
D373,906 S 9/1996 Wang

DESCRIPTION

FIG. 1 is a front and right side perspective view of my new design for a picture frame;

FIG. 2 is a front elevated view thereof;

FIG. 3 is a rear elevated side view thereof;

FIG. 4 is a right side elevated view thereof;

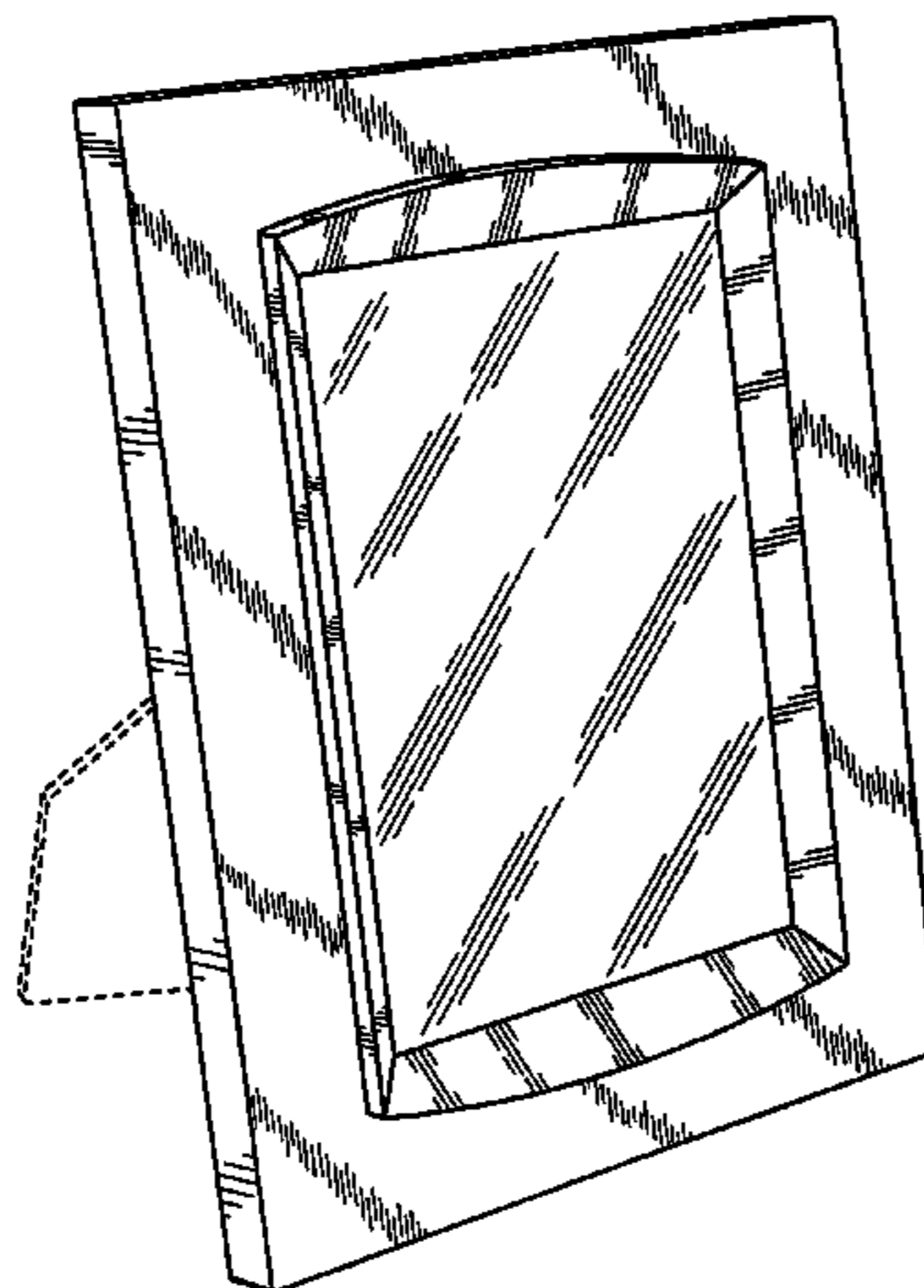
FIG. 5 is a left side elevated view thereof;

FIG. 6 is a top plan view thereof; and,

FIG. 7 is a bottom plan view thereof.

The broken lines are for illustrative purposes only and form no part of the claimed design.

1 Claim, 7 Drawing Sheets



US D578,311 S

Page 2

U.S. PATENT DOCUMENTS

6,282,828 B1 9/2001 Cecchetto
6,293,038 B1 9/2001 Chang
D450,192 S 11/2001 Whitcomb
D462,253 S 9/2002 Caveney et al.
D471,366 S 3/2003 Park
6,594,934 B1 7/2003 Wong
D479,742 S * 9/2003 Hollingsworth D23/366
6,722,069 B1 4/2004 Lanier
D491,374 S 6/2004 Bradford
D527,192 S 8/2006 Schaefer et al.
D527,193 S * 8/2006 Park D6/300

D527,533 S 9/2006 Schaefer et al.
D527,534 S 9/2006 Schaefer et al.
D528,309 S 9/2006 Schwind
D529,300 S 10/2006 Schwind
D529,722 S 10/2006 Schaefer et al.
D541,054 S 4/2007 Schwind

FOREIGN PATENT DOCUMENTS

FR 1088058 3/1955
JP 9103349 4/1997
WO WO2004/019304 3/2004

* cited by examiner

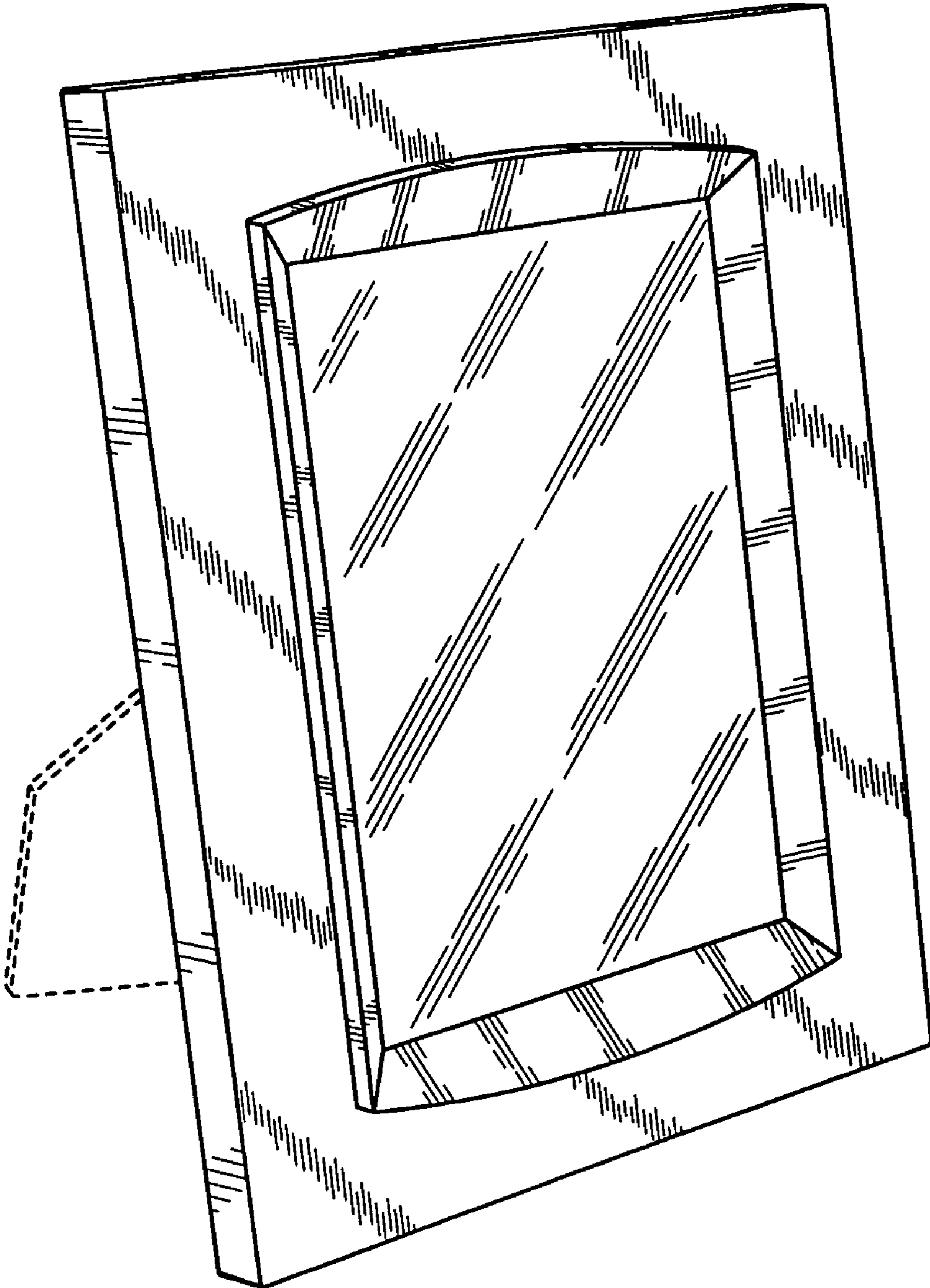


FIG. 1

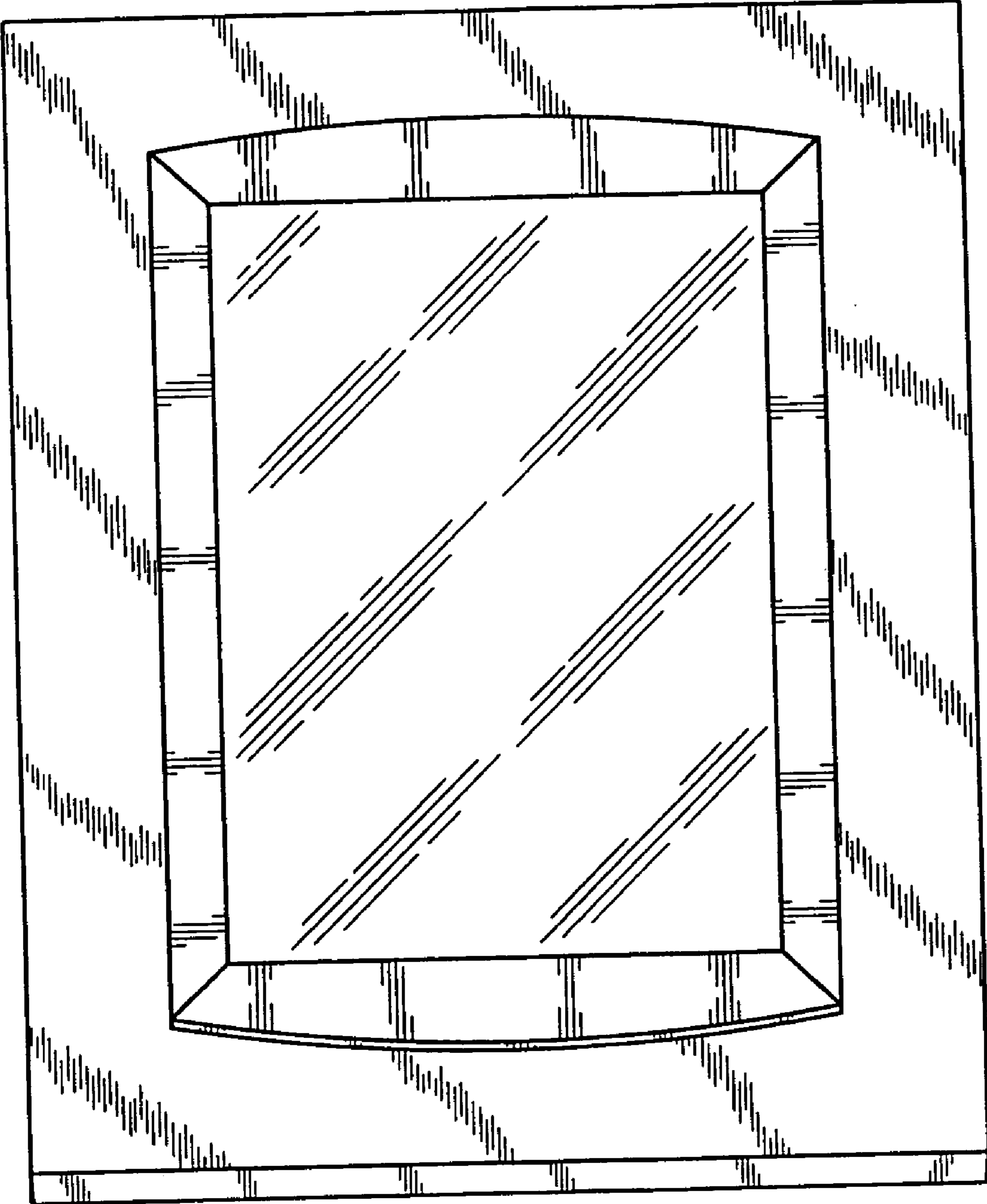


FIG. 2

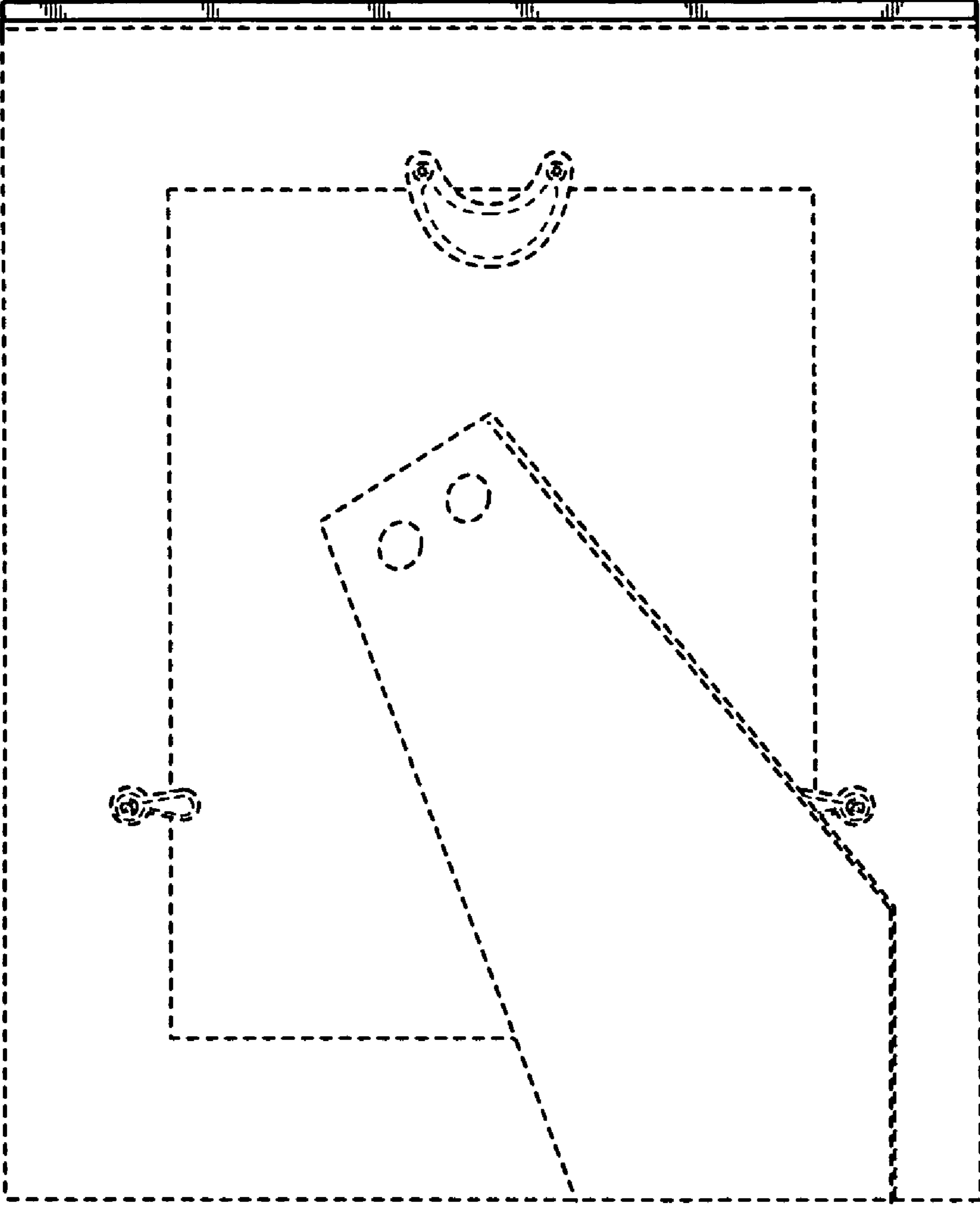


FIG. 3

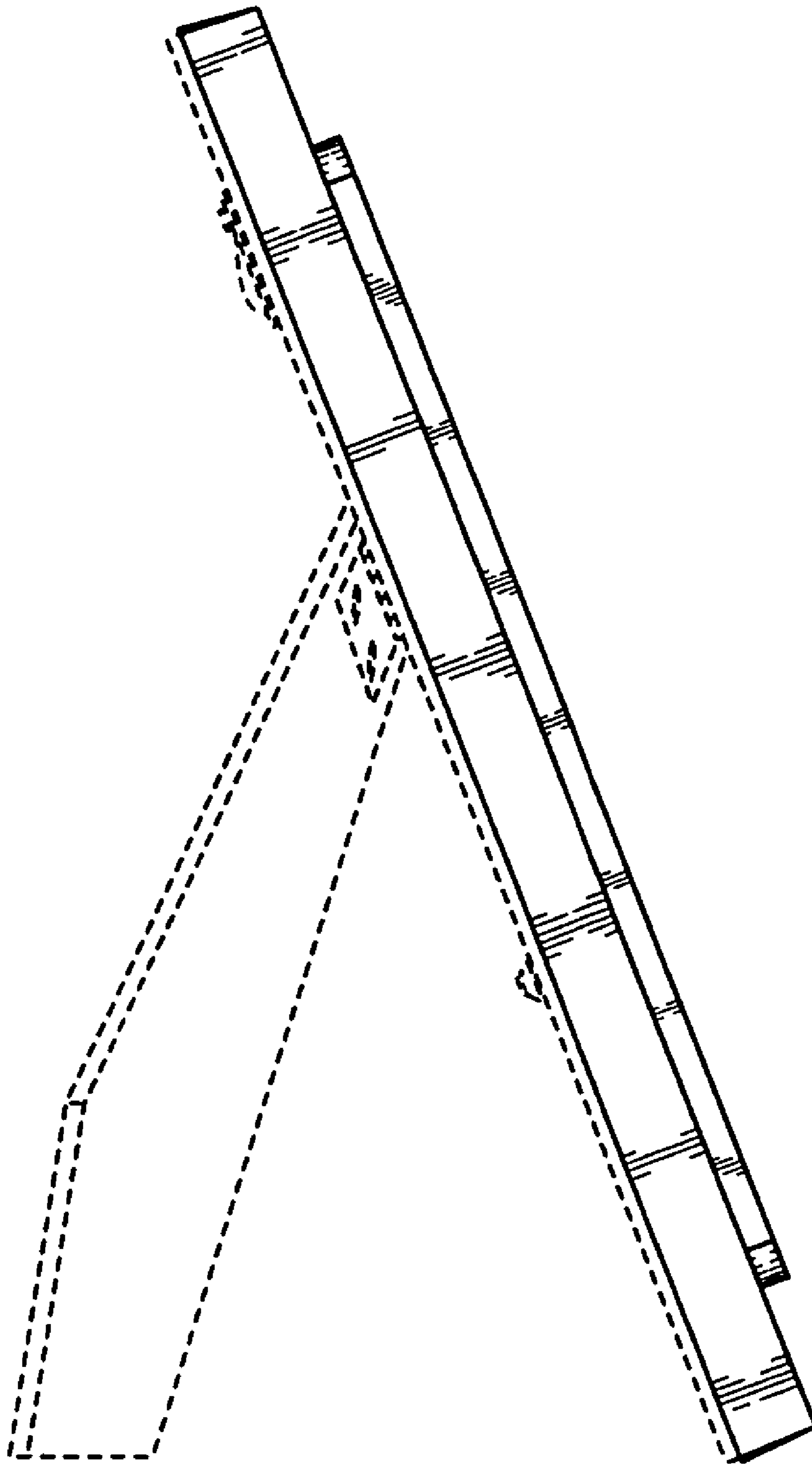


FIG. 4

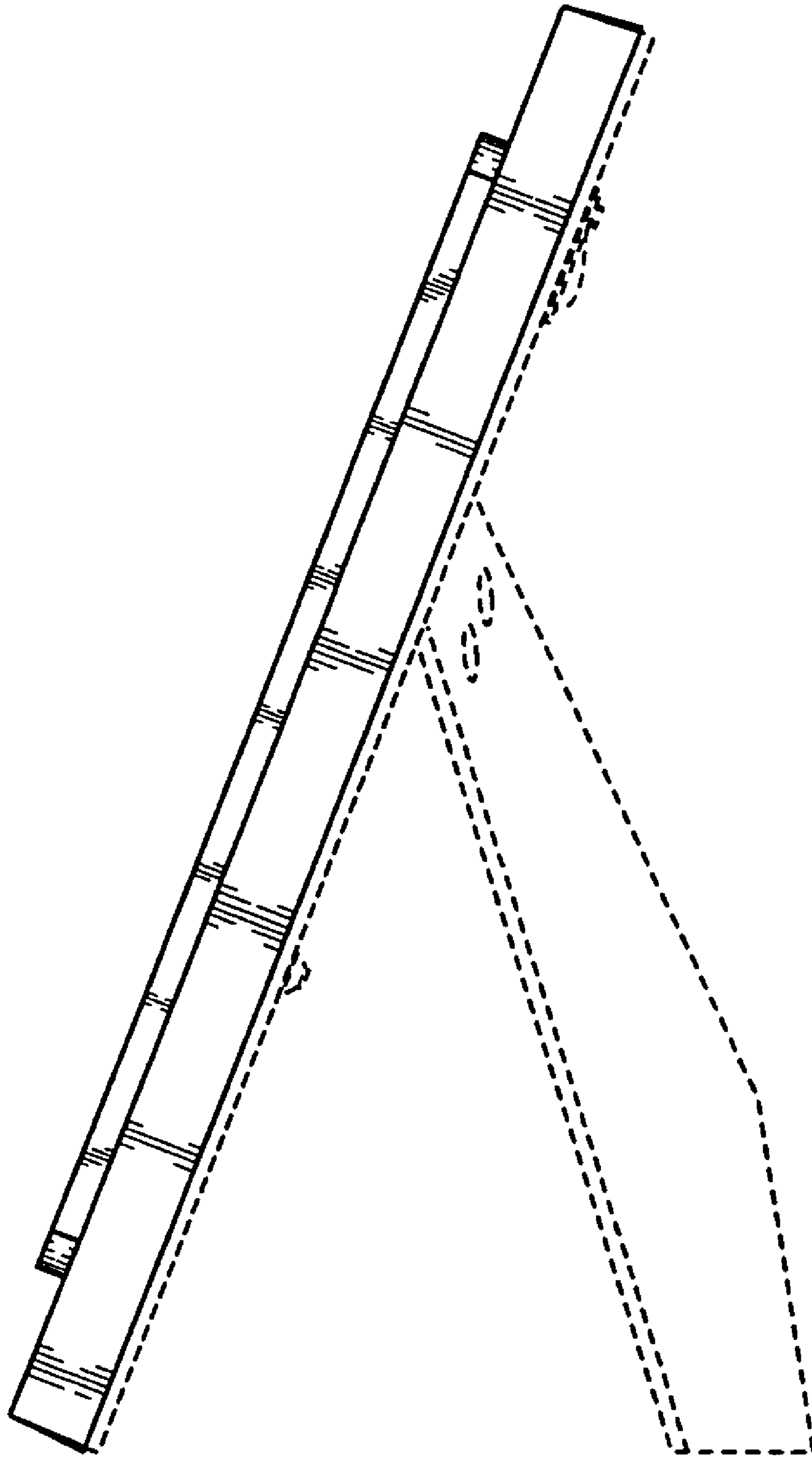


FIG. 5

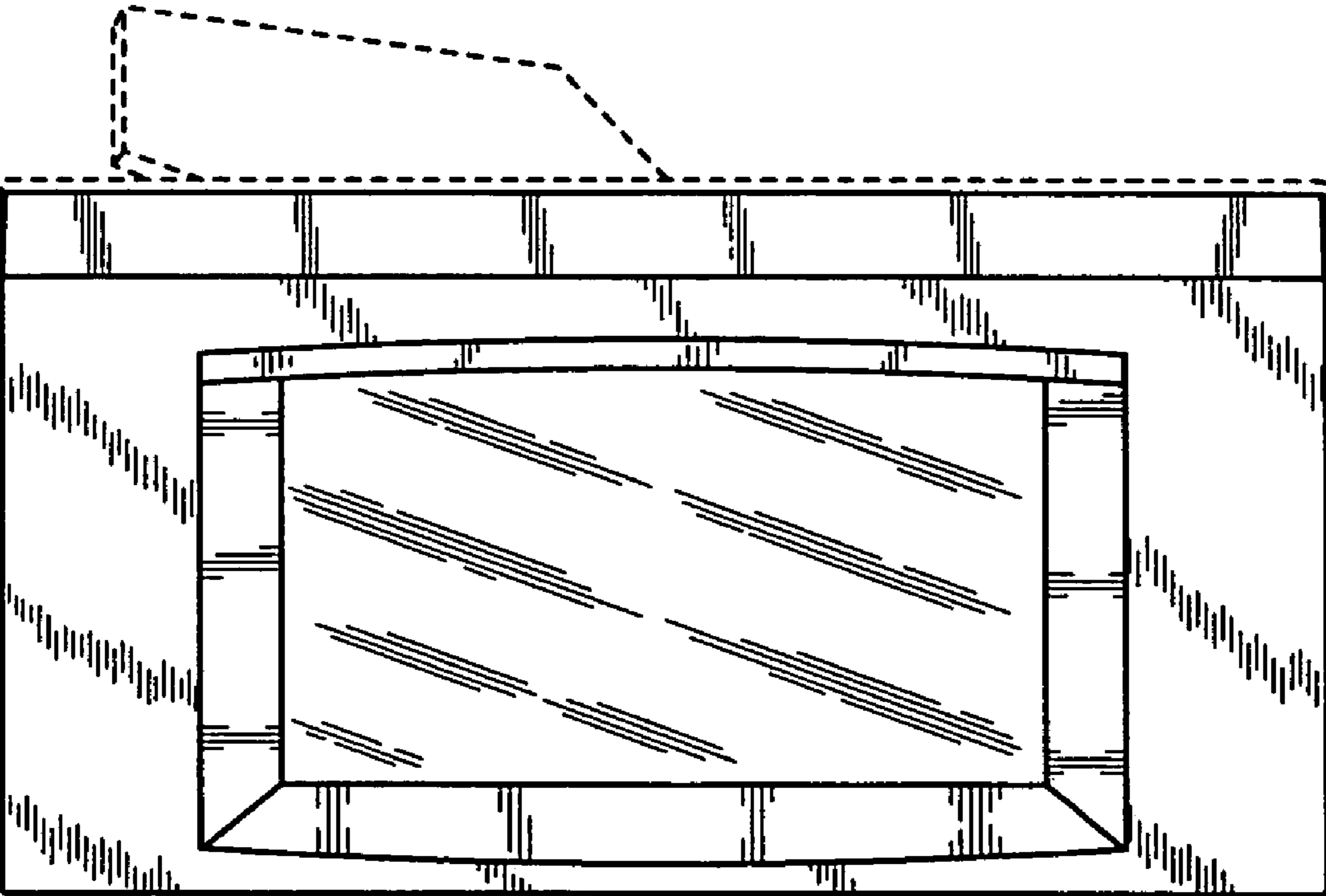


FIG. 6

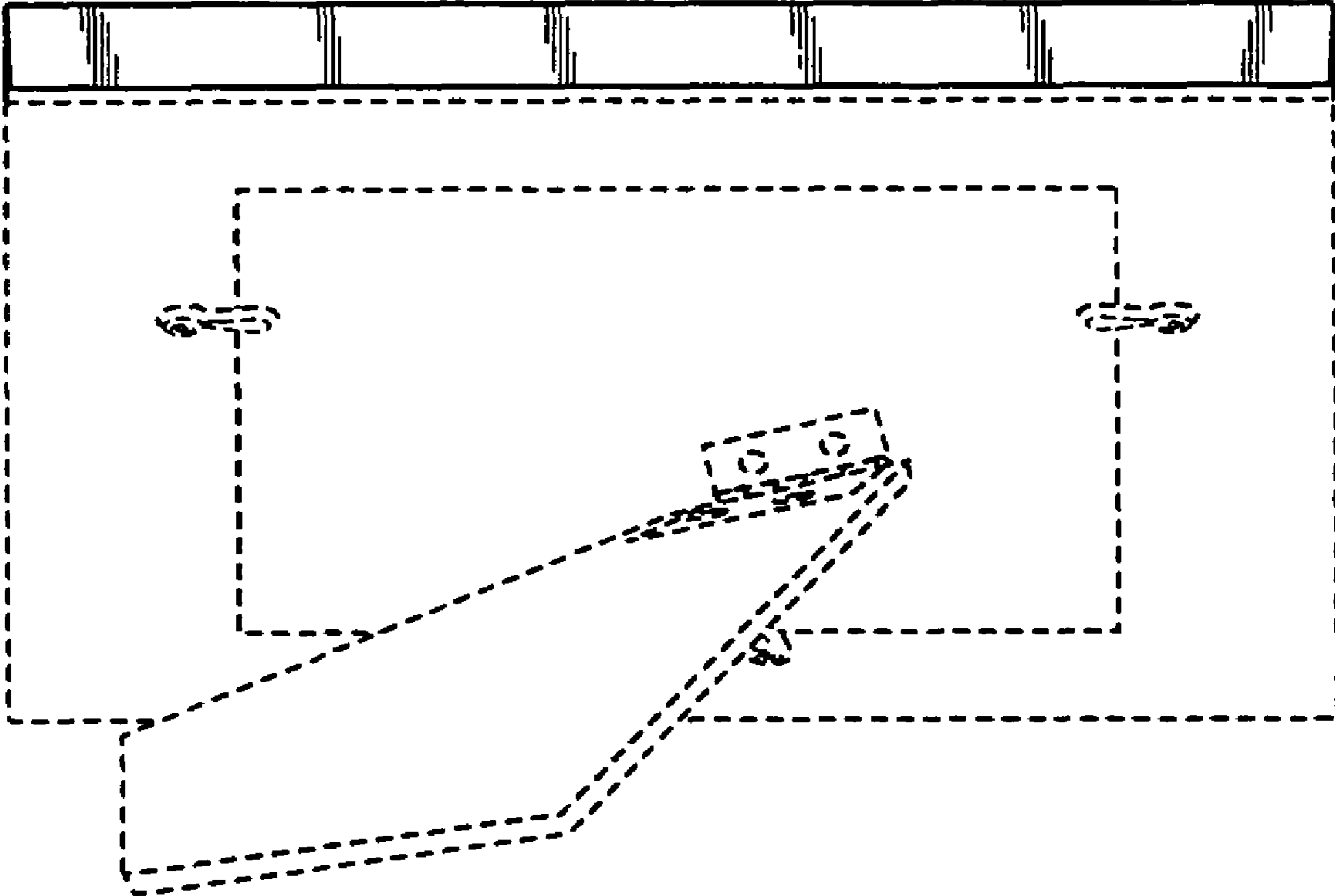


FIG. 7