



US00D578305S

(12) **United States Design Patent**  
**Gonzalez**

(10) **Patent No.:** **US D578,305 S**  
(45) **Date of Patent:** **\*\* Oct. 14, 2008**

(54) **HANDBAG**

(75) Inventor: **Alvaro Gonzalez**, Florence (IT)

(73) Assignee: **J. Choo Limited**, London (GB)

(\*\*) Term: **14 Years**

(21) Appl. No.: **29/294,413**

(22) Filed: **Jan. 9, 2008**

(30) **Foreign Application Priority Data**

Jul. 11, 2007 (EM) ..... 000758420-0008

(51) **LOC (8) Cl.** ..... **03-01**

(52) **U.S. Cl.** ..... **D3/243**

(58) **Field of Classification Search** ..... D3/232-234,  
D3/240-246, 318, 324; 150/100, 103-104,  
150/107-110, 114, 118-119

See application file for complete search history.

(56) **References Cited**

**U.S. PATENT DOCUMENTS**

D219,119 S	11/1970	Marshall
D532,200 S	11/2006	Gonzalez
D540,538 S	4/2007	Gerbi
D542,539 S	5/2007	Gonzalez
D543,026 S	5/2007	Gonzalez
D544,713 S	6/2007	Gonzalez
D546,059 S	7/2007	Gerbi
D547,944 S	8/2007	Gonzalez
D547,945 S	8/2007	Gonzalez
D552,354 S	10/2007	Gonzalez
D557,010 S	12/2007	Gonzalez
D557,895 S	12/2007	Gonzalez
D559,539 S	1/2008	Gonzalez
D563,668 S	3/2008	Gonzalez
D564,760 S	3/2008	Gonzalez

**OTHER PUBLICATIONS**

U.S. Appl. No. 29/294,429, filed Jan. 9, 2008.  
U.S. Appl. No. 29/293,569, filed Nov. 30, 2007.

U.S. Appl. No. 29/271,659, filed Jan. 23, 2007.  
U.S. Appl. No. 29/263,281, filed Jul. 19, 2006.  
U.S. Appl. No. 29/263,299, filed Jul. 19, 2006.  
Anna Corinna Drawstring Bag, printed from shopintuition.com.  
Destin/Emory Bag, J. Rennee design as provided by zappos.com.  
Dior advertisement of handbag, undated.  
Leather Flap front bab, Kooba, #281, Elle magazine.  
Kooba Metallic Carla, as provided by pinkmascara.com.  
Bulga Medium Studded Tote, Bulga design as provided by pinkmascara.com.  
Cannage Large Shopper, Dior design as provided by exluxury.com.  
Vintage Bag, undated photograph.  
Ramona, "New 'It' Bag!" People Magazine, Spring 2006.  
Winona, Elliott Lucca design as provided by Nordstrom.com.  
Kooba Ginger, Kooba design as provided by RevolveClothing.com.  
Make the Braid II Satchel, Kenneth Cole design as provided by Nordstrom.com.  
Dubline Hobo, Hype design as provided by Nordstrom.com.

*Primary Examiner*—Holly H Baynham

(74) *Attorney, Agent, or Firm*—Fross Zelnick Lehrman & Zissu, P.C.; Lawrence E. Apolzon, Esq.

(57) **CLAIM**

The ornamental design for handbag, as shown and described.

**DESCRIPTION**

FIG. 1 is a front perspective view of a handbag showing my new design;

FIG. 2 is a front view of the handbag shown in FIG. 1;

FIG. 3 is a rear view of the handbag shown in FIG. 1;

FIG. 4 is a right side of the handbag shown in FIG. 1;

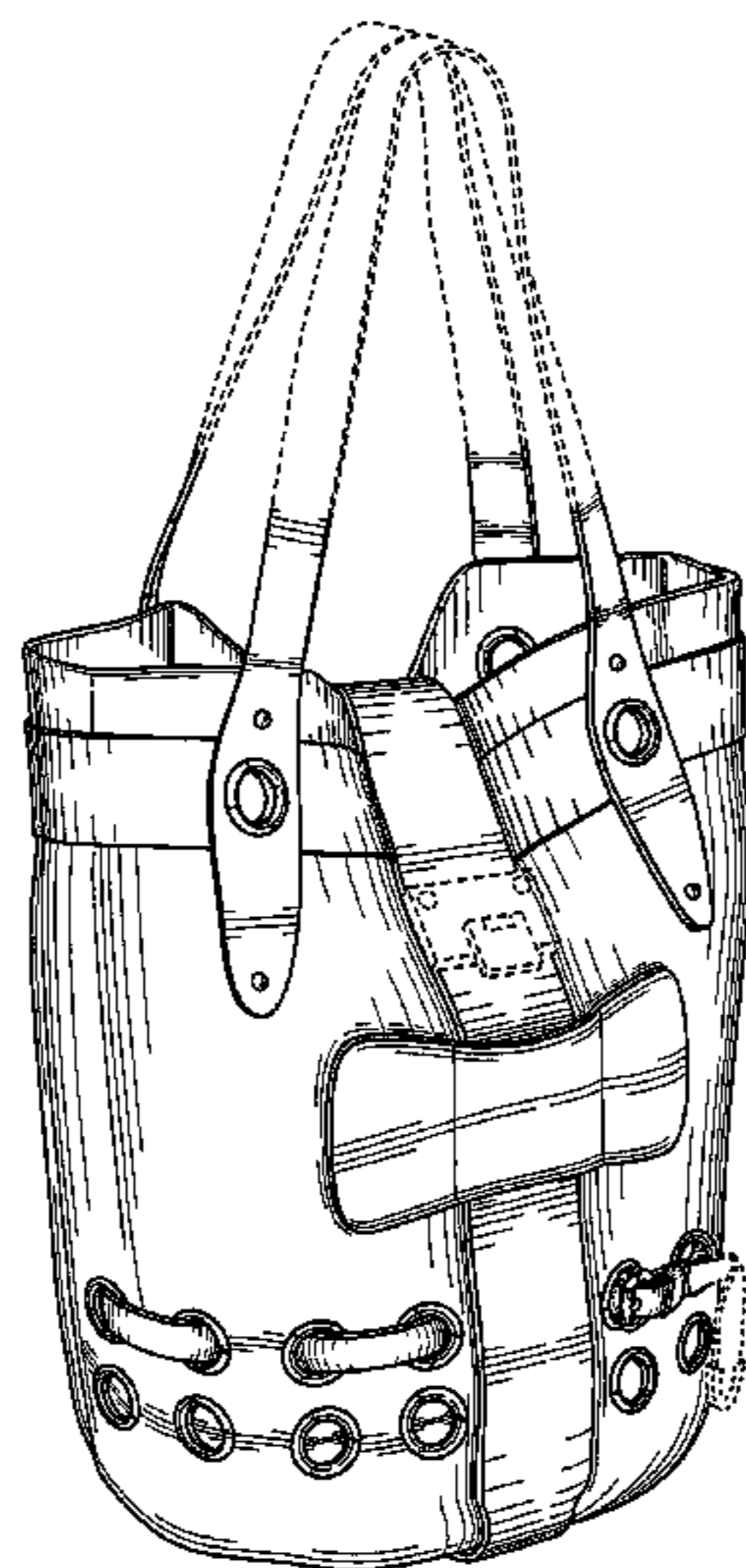
FIG. 5 is a left side view of the handbag shown in FIG. 1;

FIG. 6 is a top view of the handbag shown in FIG. 1; and,

FIG. 7 is a bottom view of the handbag shown in FIG. 1.

The broken line showing of portion of the handles, closure piece, grommets and hanging piece of the strap is for illustrative purposes only and forms no part of the claimed design.

**1 Claim, 7 Drawing Sheets**



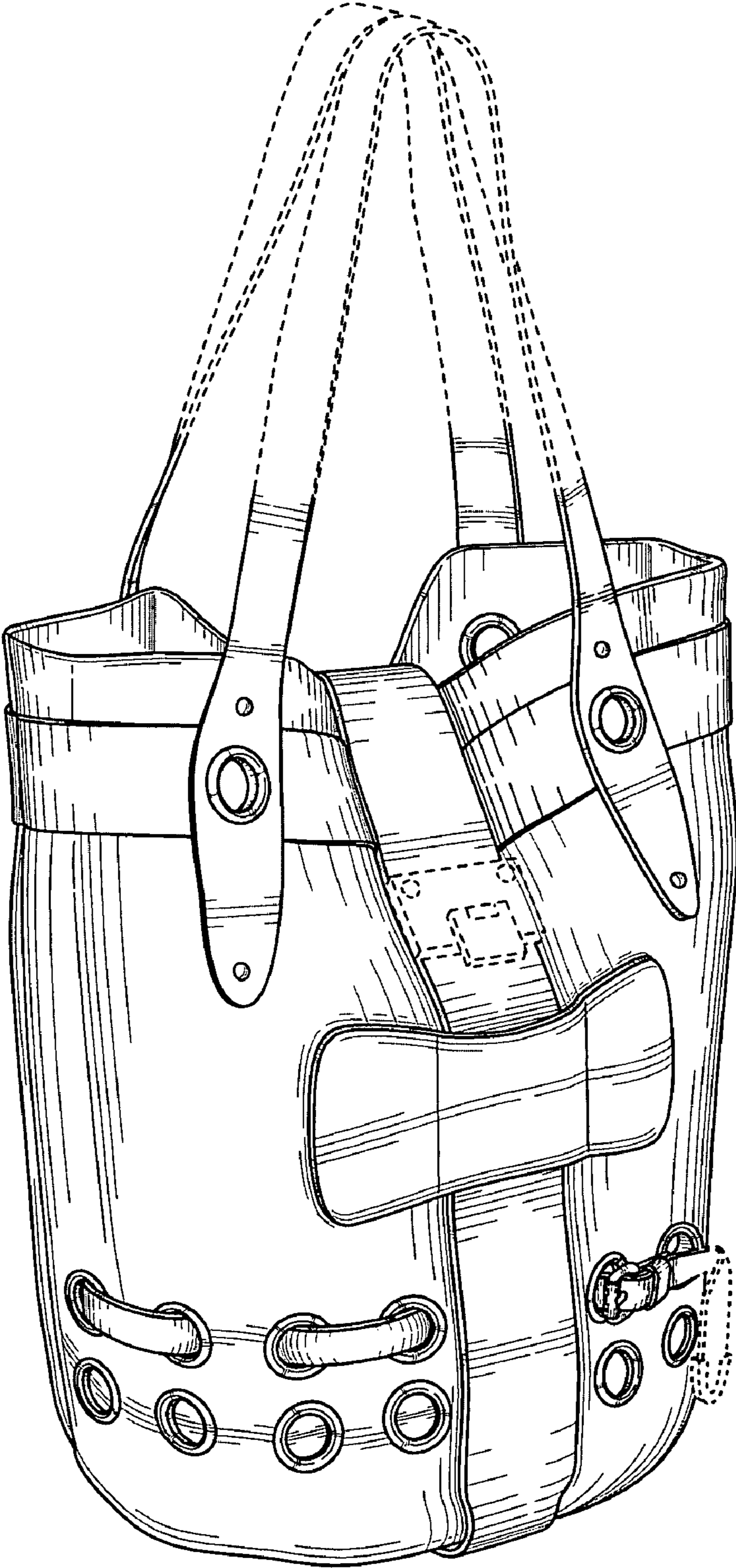


FIG. 1

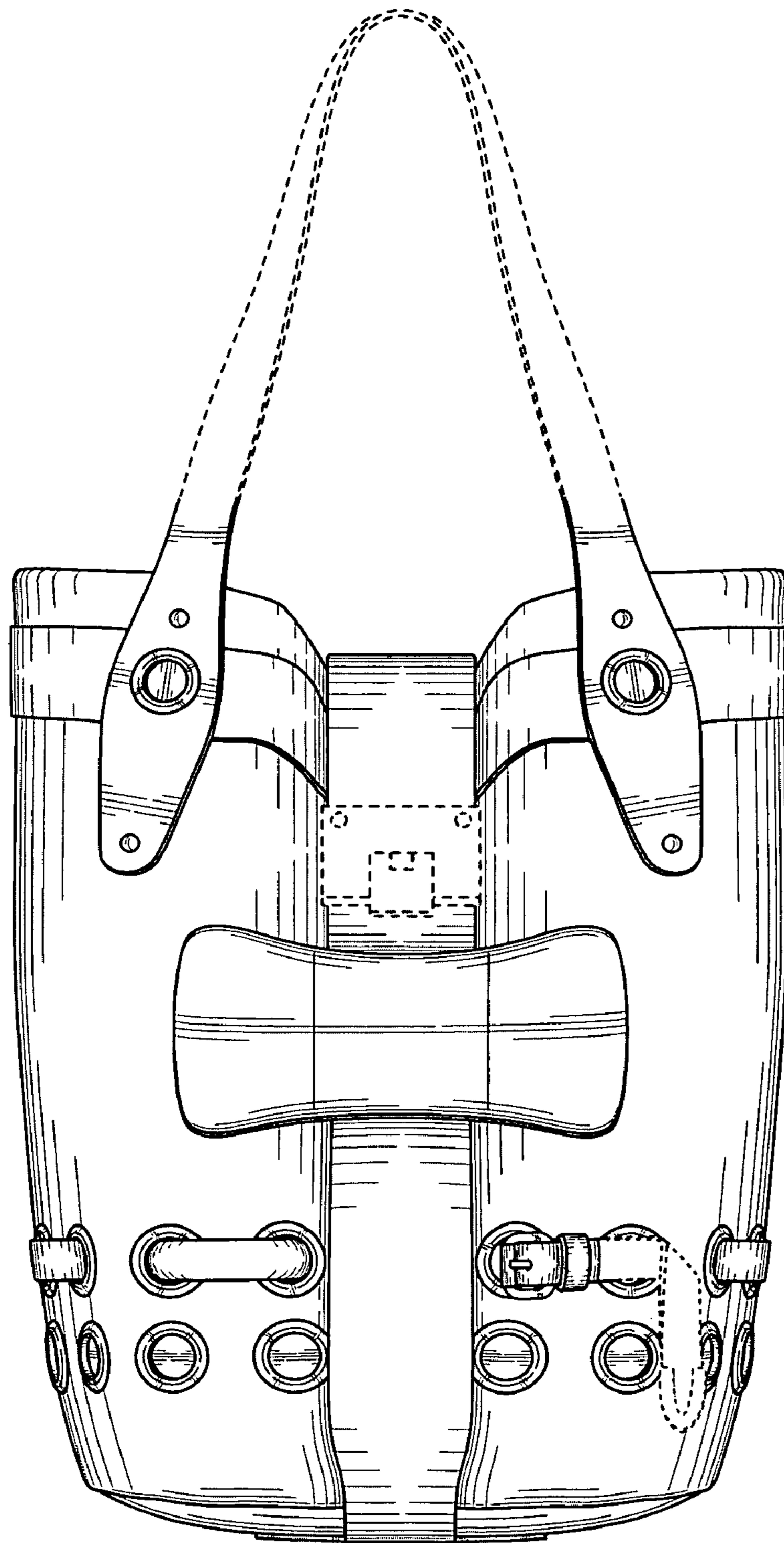


FIG. 2

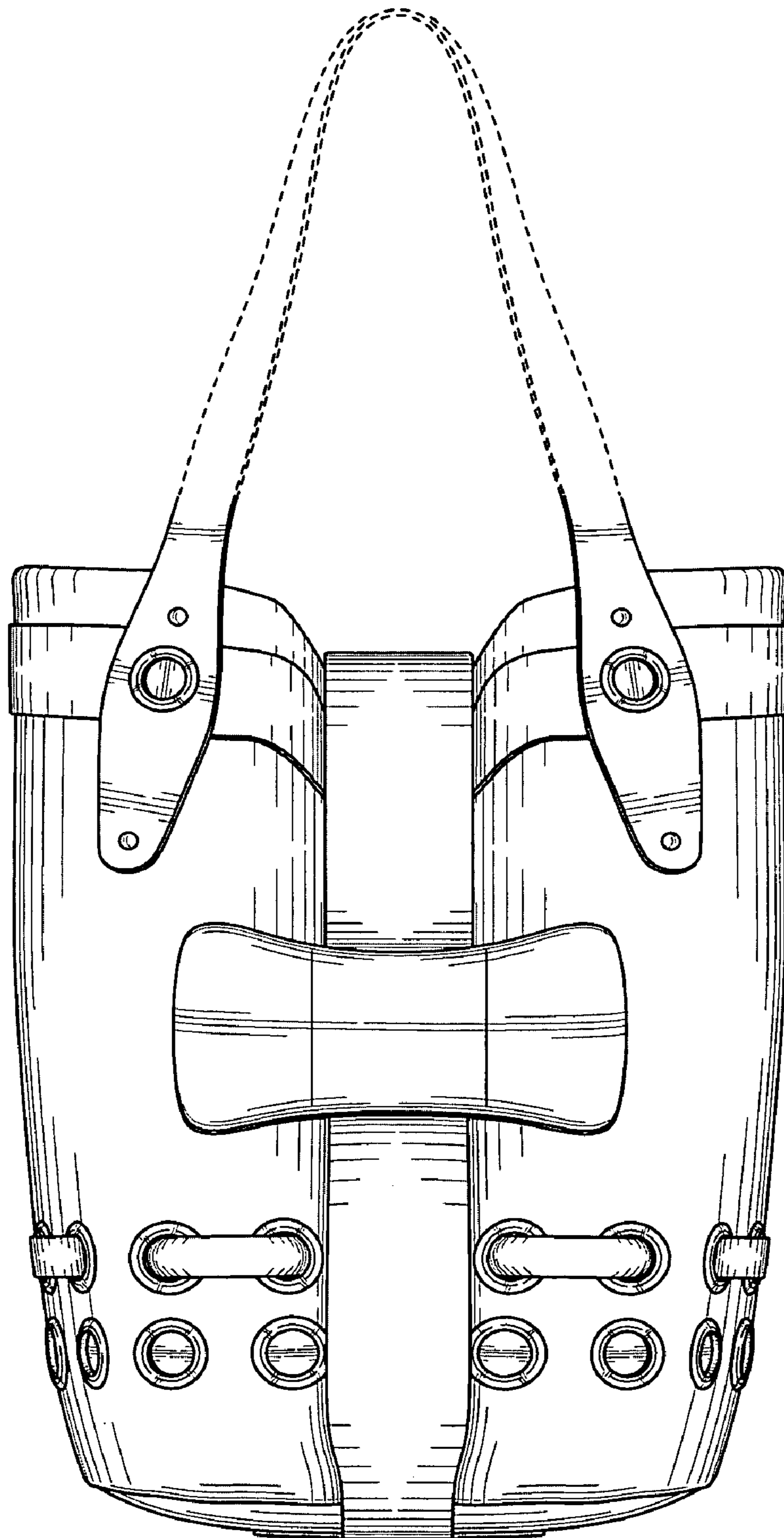


FIG. 3

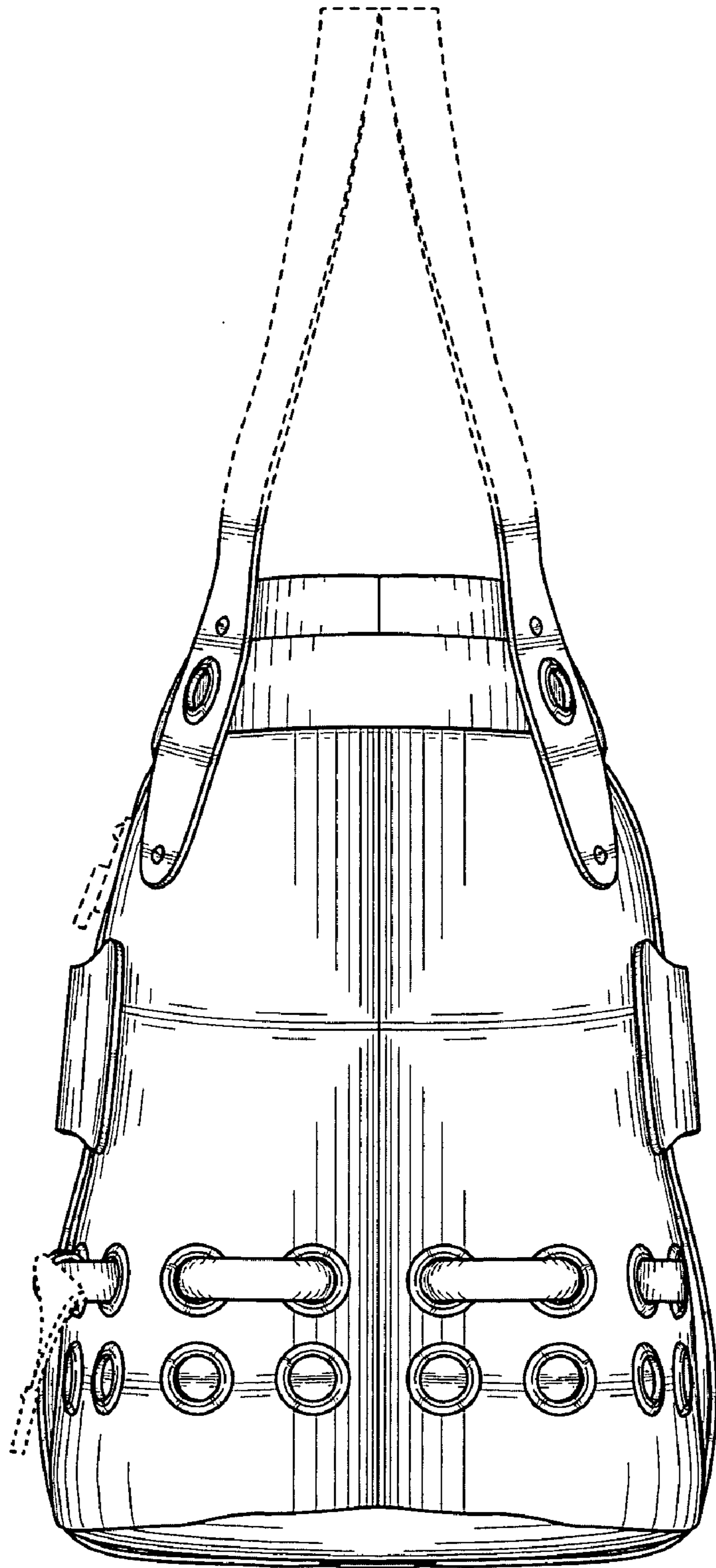


FIG. 4

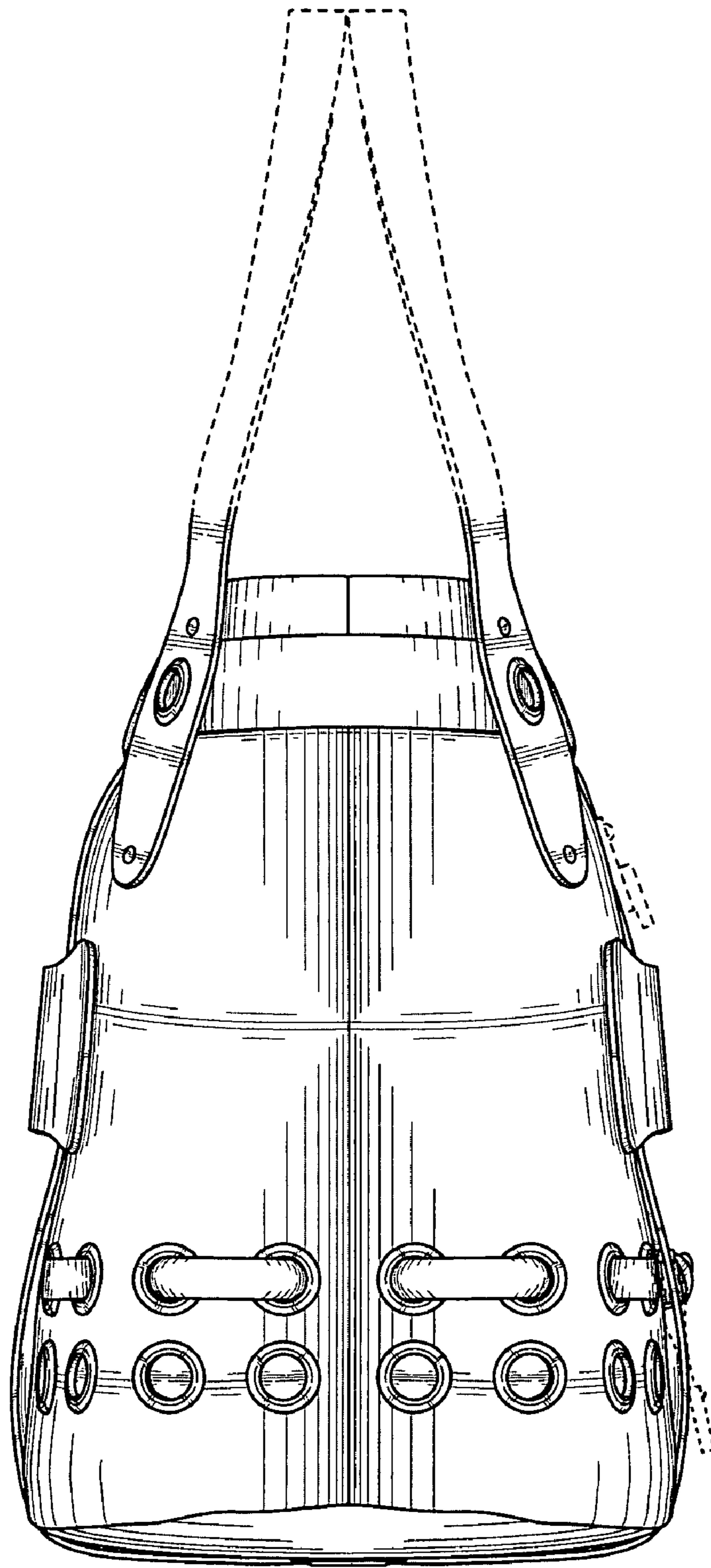


FIG. 5

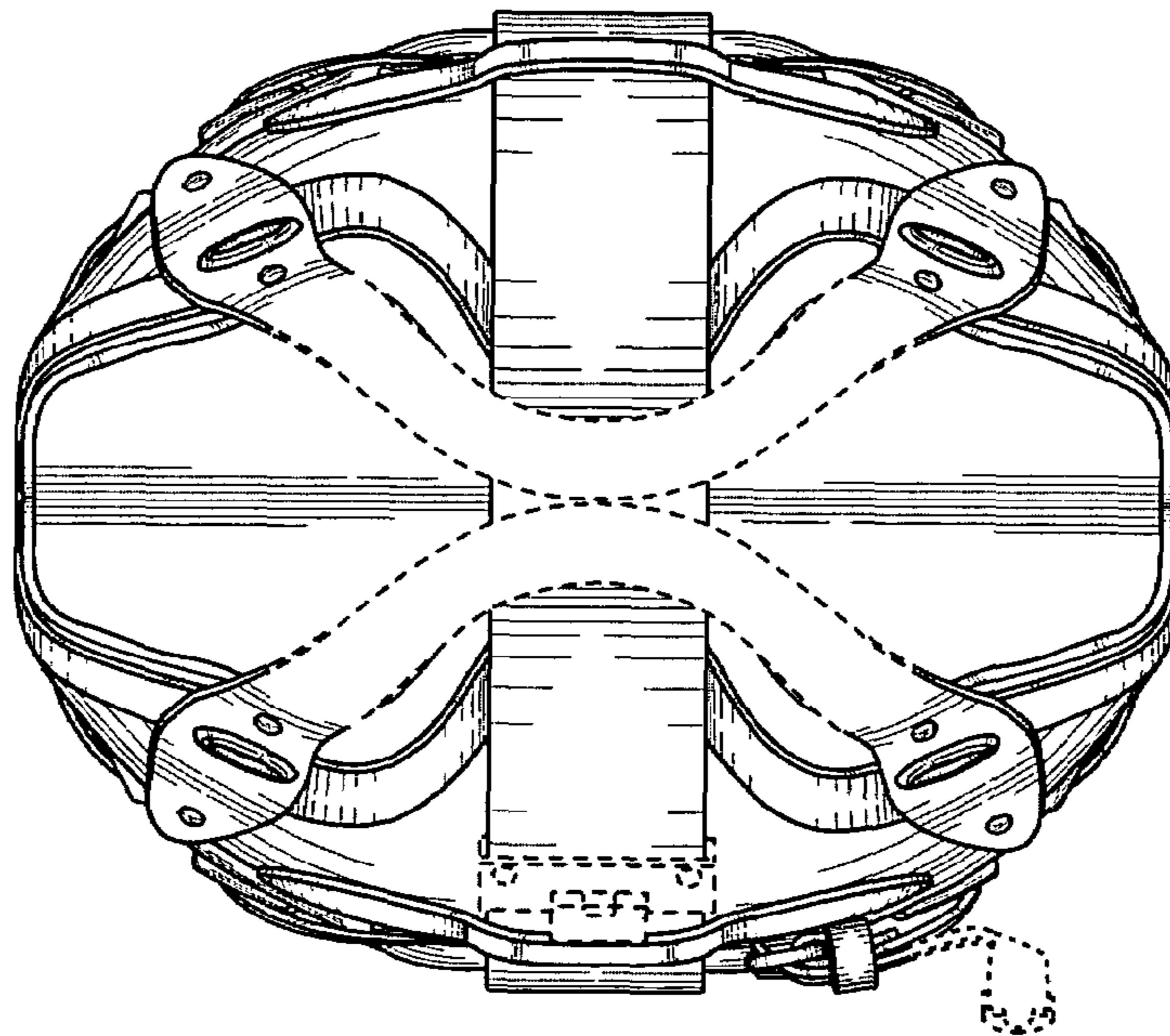


FIG. 6

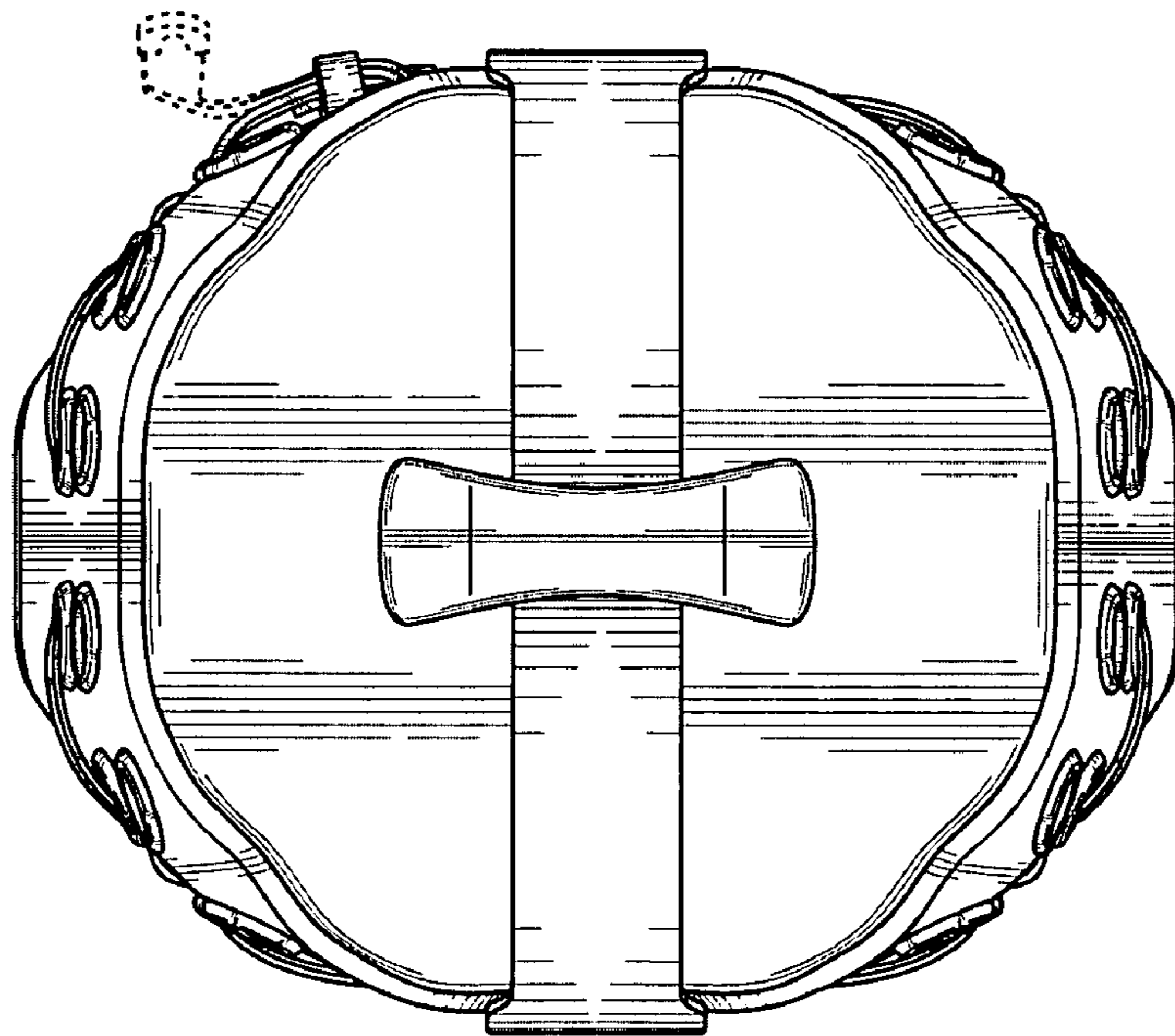


FIG. 7