



US00D578301S

(12) **United States Design Patent**
King et al.

(10) **Patent No.:** **US D578,301 S**
(45) **Date of Patent:** **** Oct. 14, 2008**

(54) **CONTAINMENT SYSTEM**

(75) Inventors: **Charles P. King**, Bainbridge Island, WA (US); **Klaas Hesselink**, Bainbridge Island, WA (US)

(73) Assignee: **Concepts From the Rock, LLC**, Bainbridge Island, WA (US)

(**) Term: **14 Years**

(21) Appl. No.: **29/302,115**

(22) Filed: **Jan. 10, 2008**

(51) **LOC (8) Cl.** **03-01**

(52) **U.S. Cl.** **D3/201**

(58) **Field of Classification Search** D3/201-205, D3/215, 294, 272-274, 276, 269, 281, 291, D3/300, 315, 316; 206/427-433, 521, 530-538, 206/316.3; 190/100-109; 224/909
See application file for complete search history.

(56) **References Cited**

U.S. PATENT DOCUMENTS

D241,479 S *	9/1976	Mueller	D3/201
D351,499 S *	10/1994	Gay et al.	D3/201
D370,337 S *	6/1996	Hodson	D3/201
D493,284 S *	7/2004	Lee	D3/294
D516,809 S *	3/2006	Tagliati et al.	D3/273

* cited by examiner

Primary Examiner—Catherine R Oliver

(74) *Attorney, Agent, or Firm*—Lee & Hayes, PLLC

(57) **CLAIM**

The ornamental design for a containment system, as shown and described.

DESCRIPTION

FIG. 1 is a perspective view of a containment system in accordance with the present disclosure.

FIG. 2 is a front elevational view of the containment system of FIG. 1.

FIG. 3 is a top plan view of the containment system of FIG. 1.

FIG. 4 is a bottom plan view of the containment system of FIG. 1.

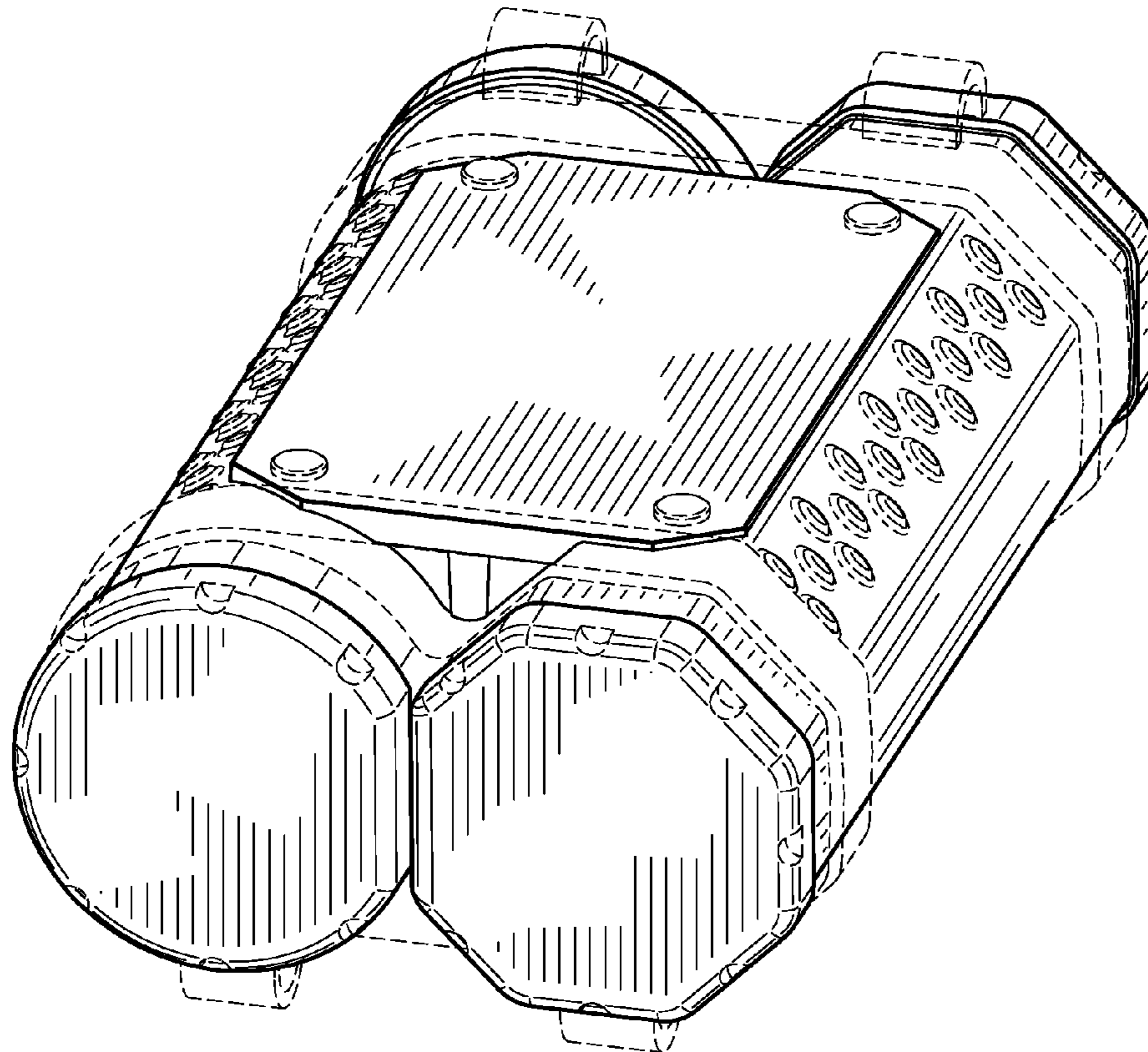
FIG. 5 is a rear elevational view of the containment system of FIG. 1.

FIG. 6 is a side elevational view of the containment system of FIG. 1; and,

FIG. 7 is an opposite elevational view of the containment system of FIG. 1.

The broken lines are for illustrative purposes only, and form no part of the claimed design.

1 Claim, 4 Drawing Sheets



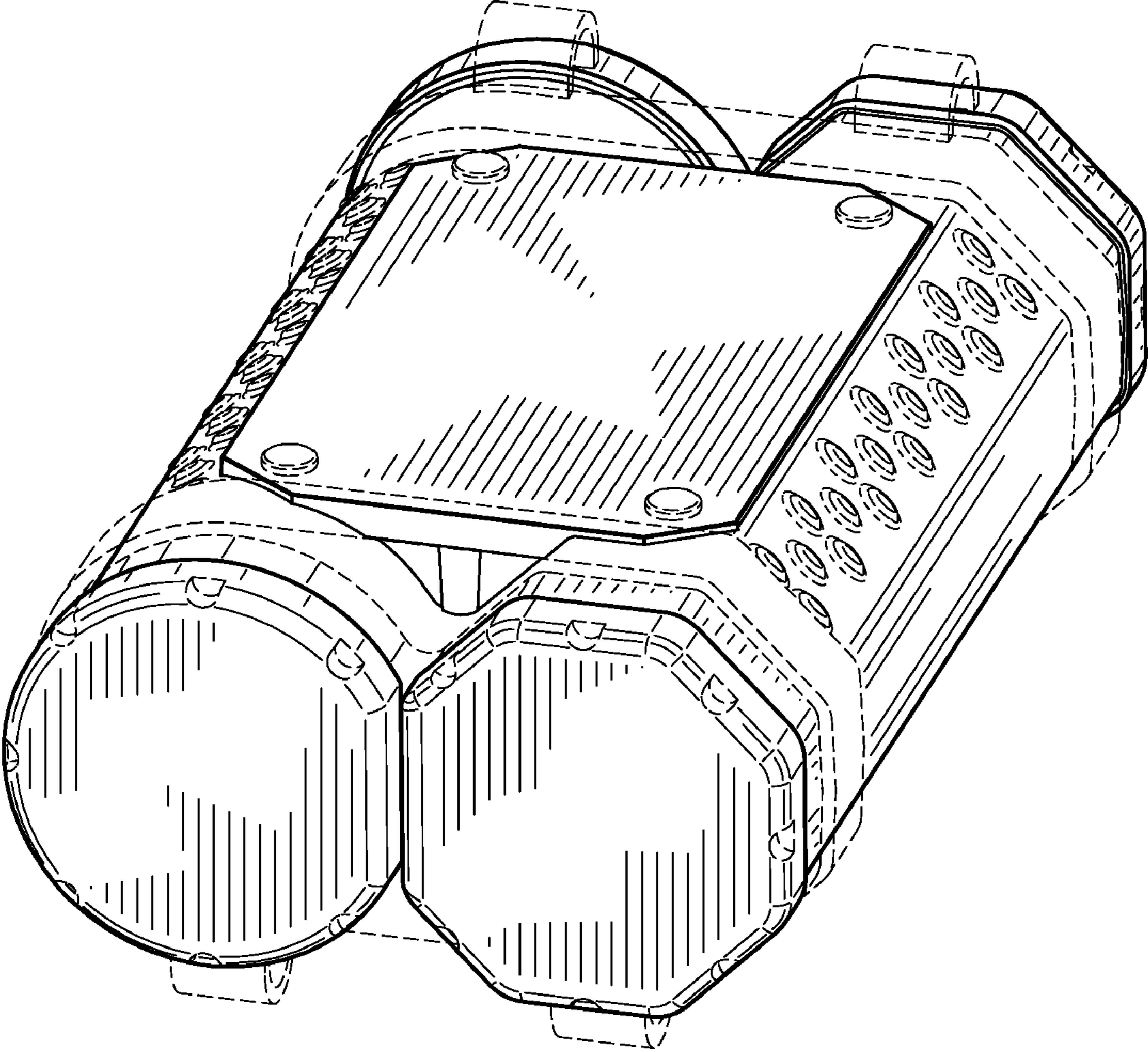


FIG.1

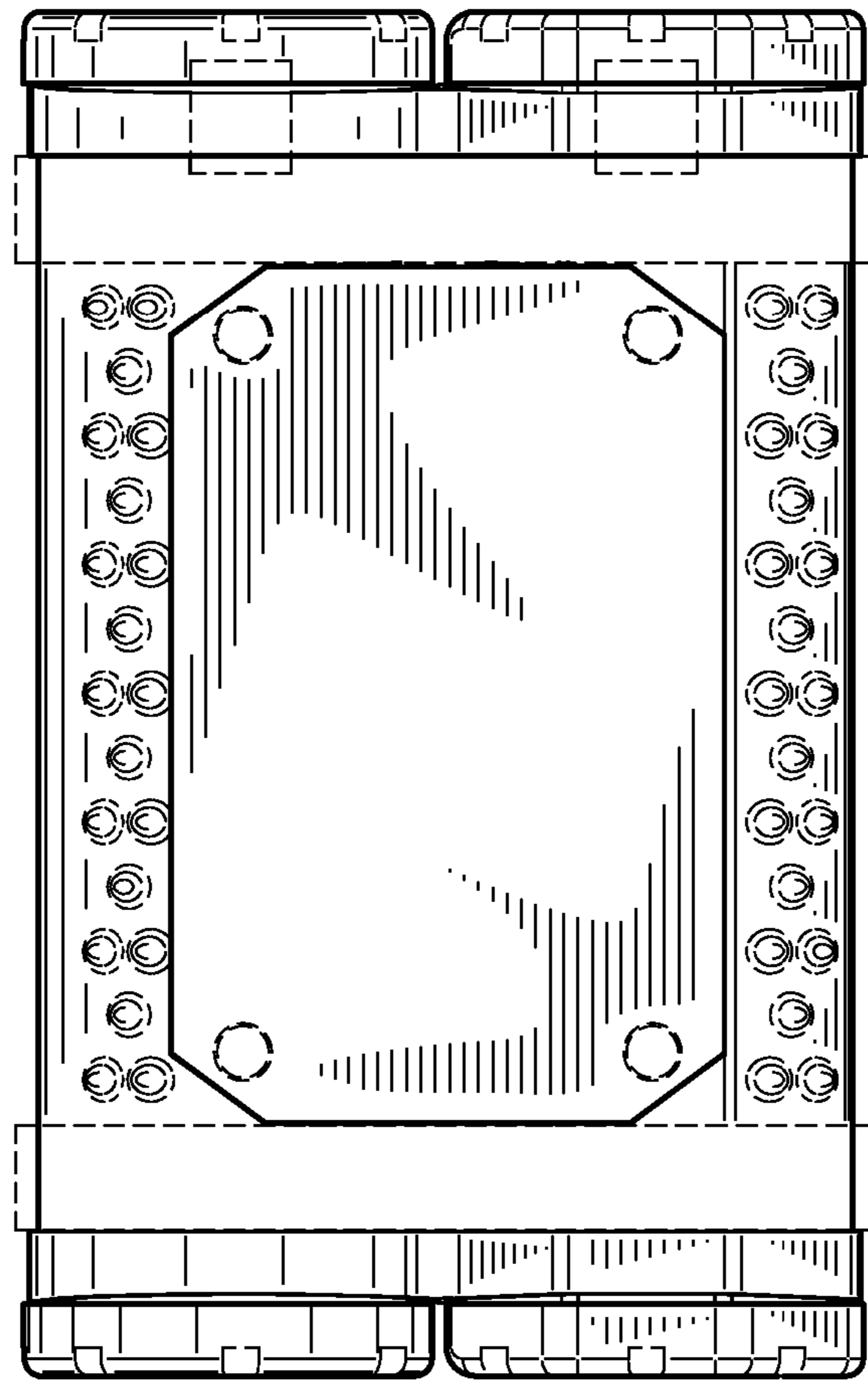


FIG. 2

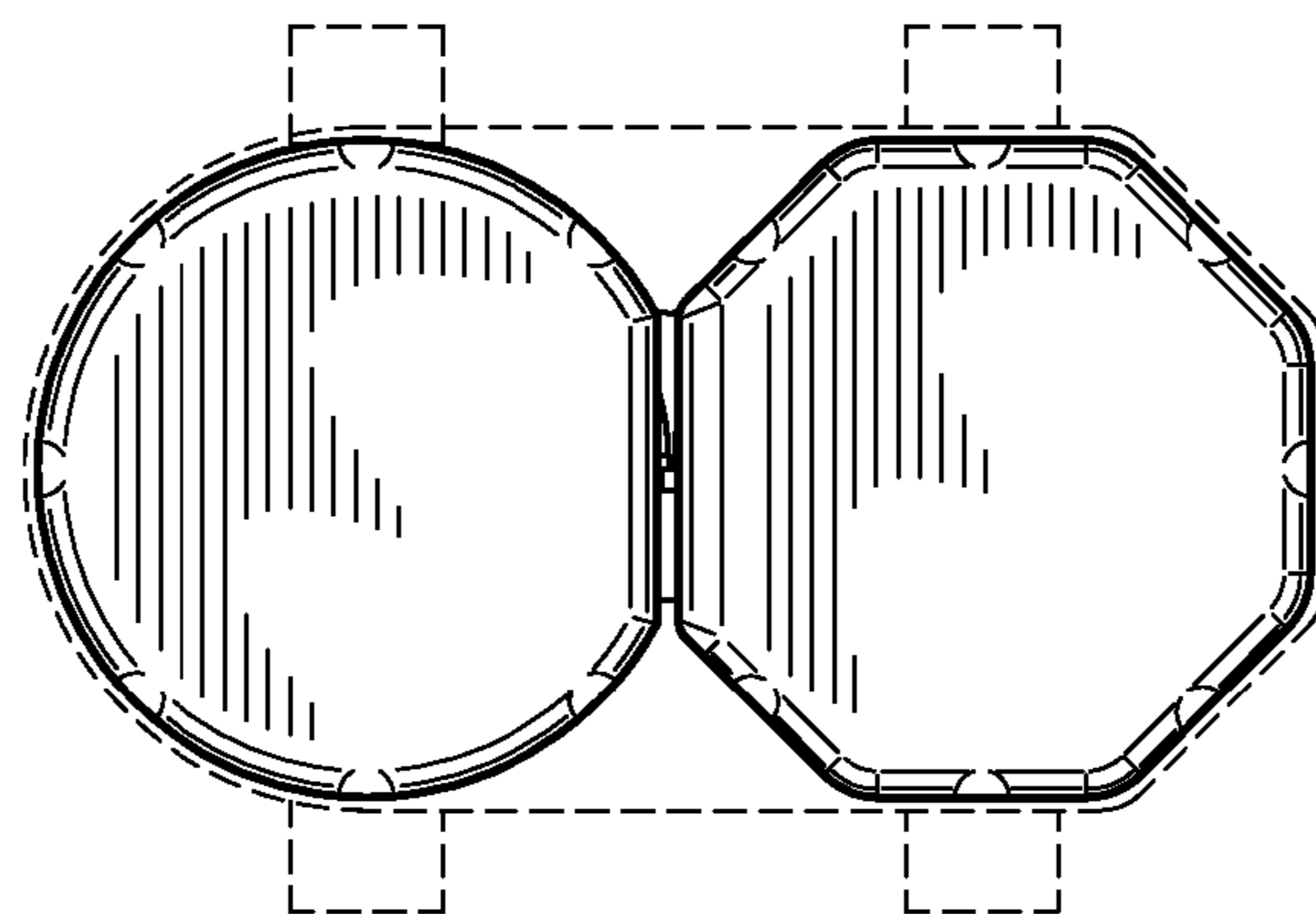


FIG. 3

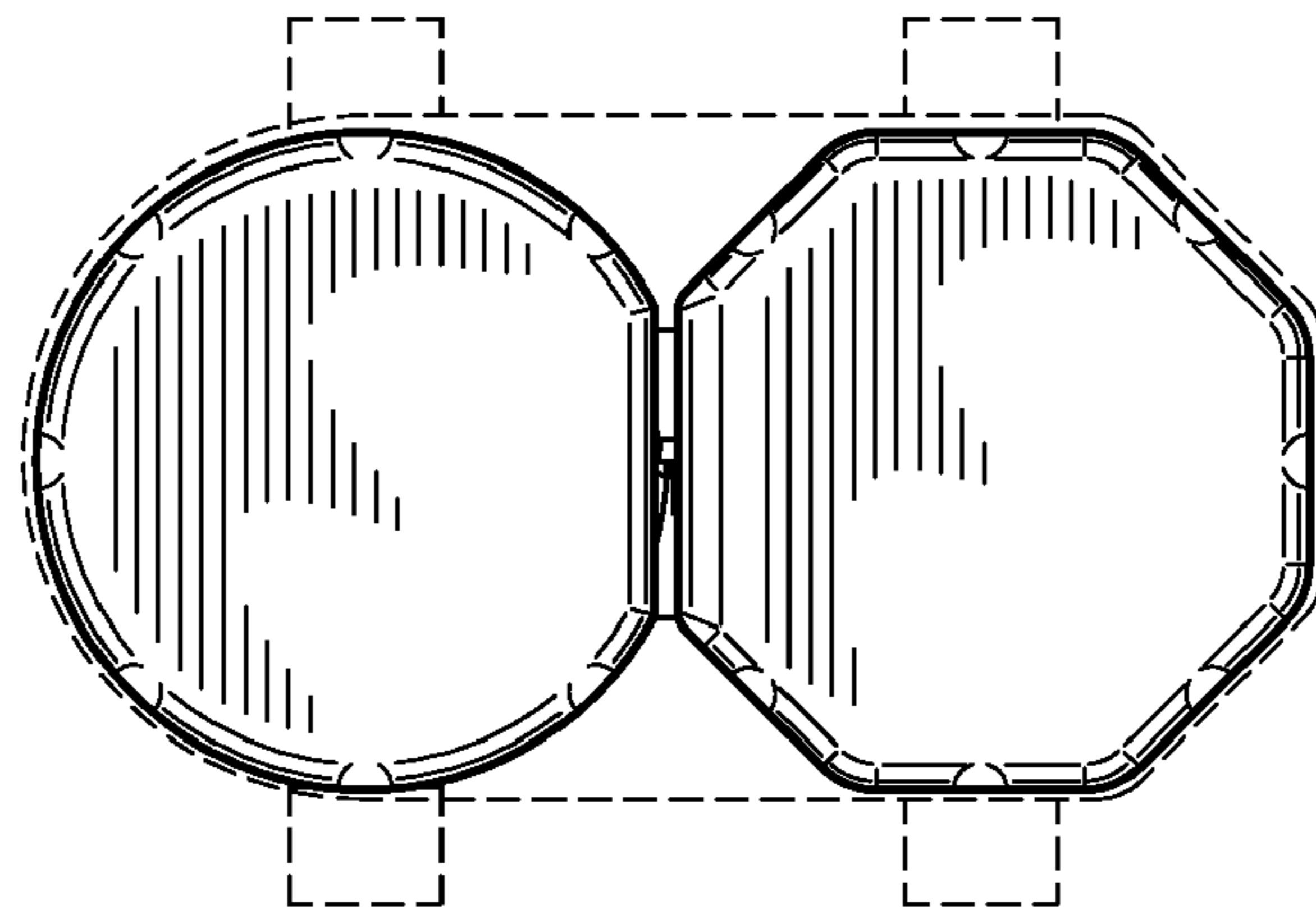


FIG. 4

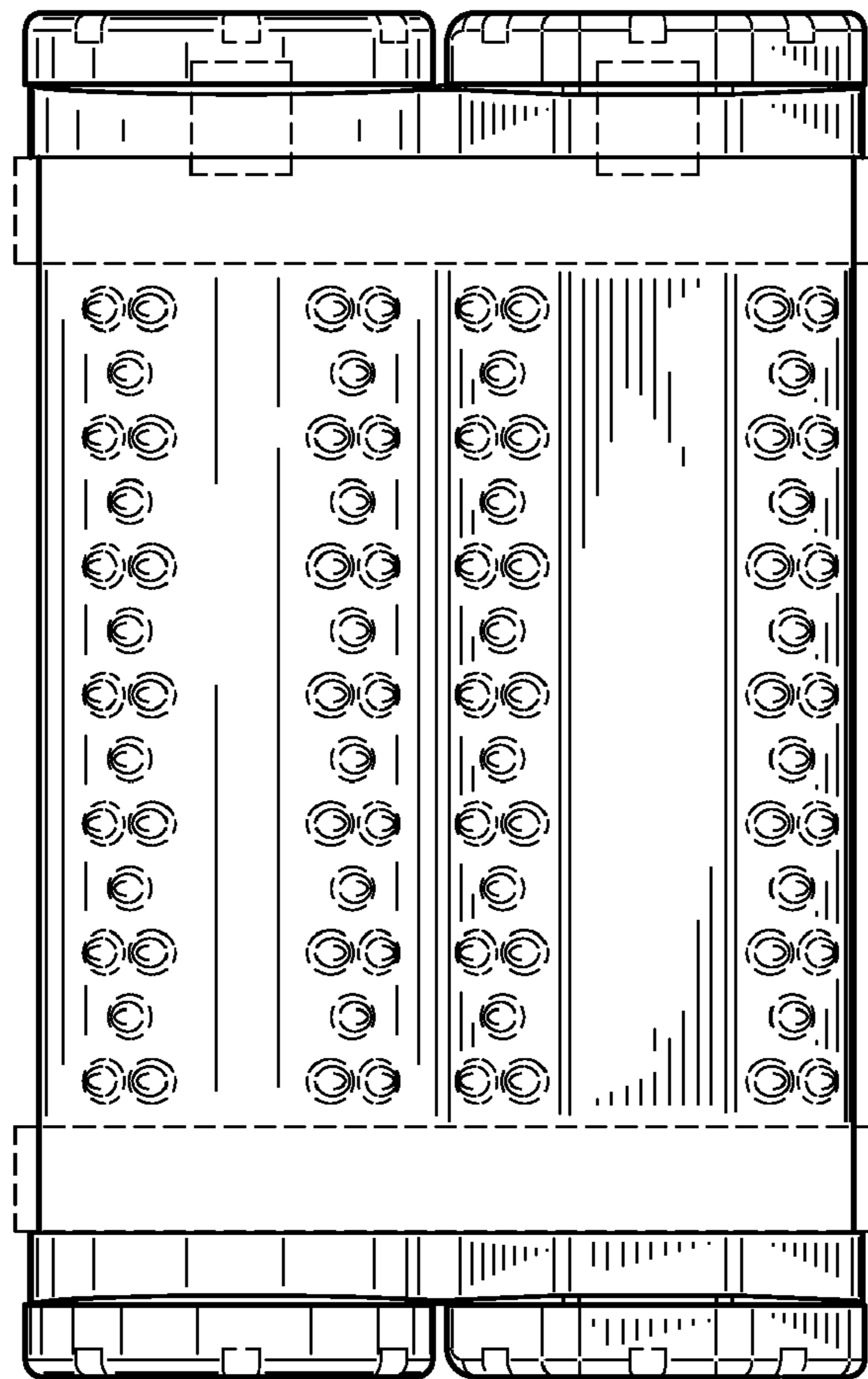


FIG. 5

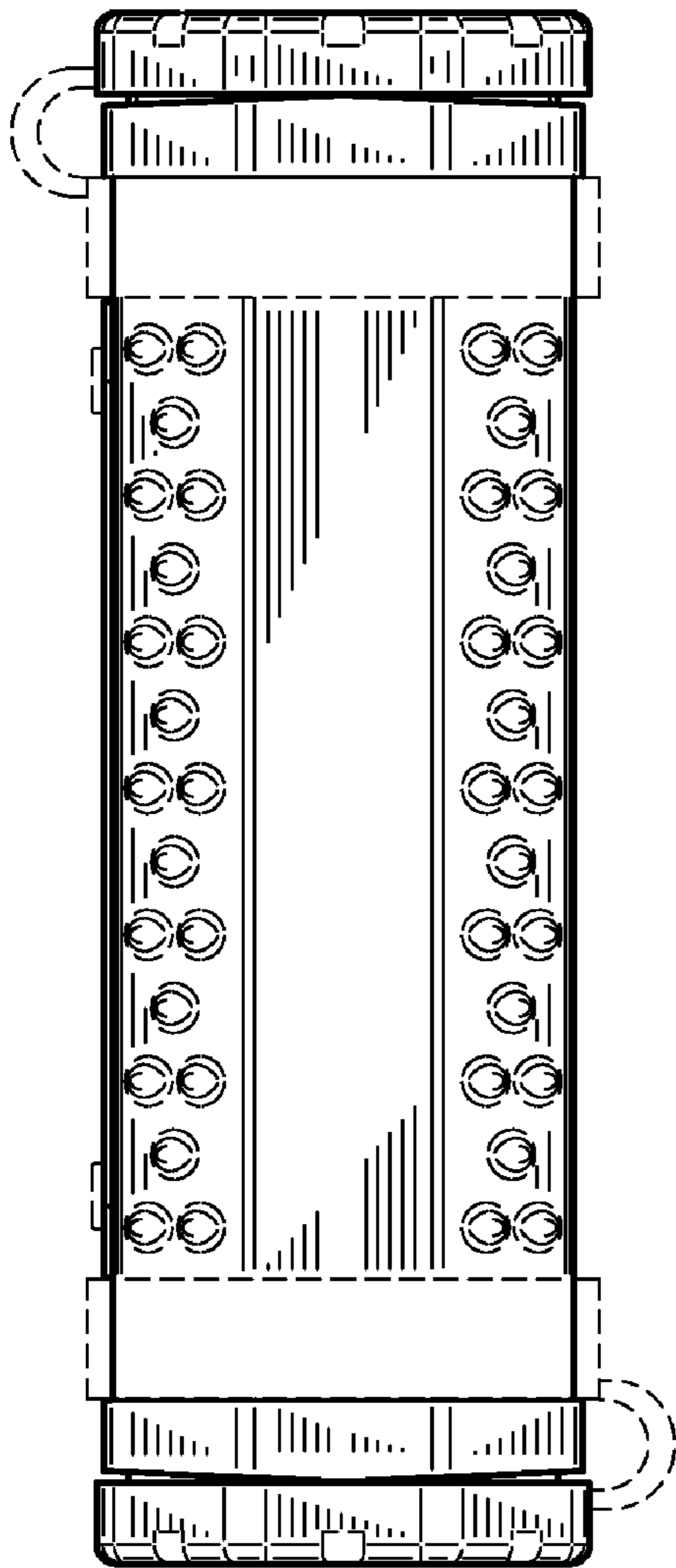


FIG. 6

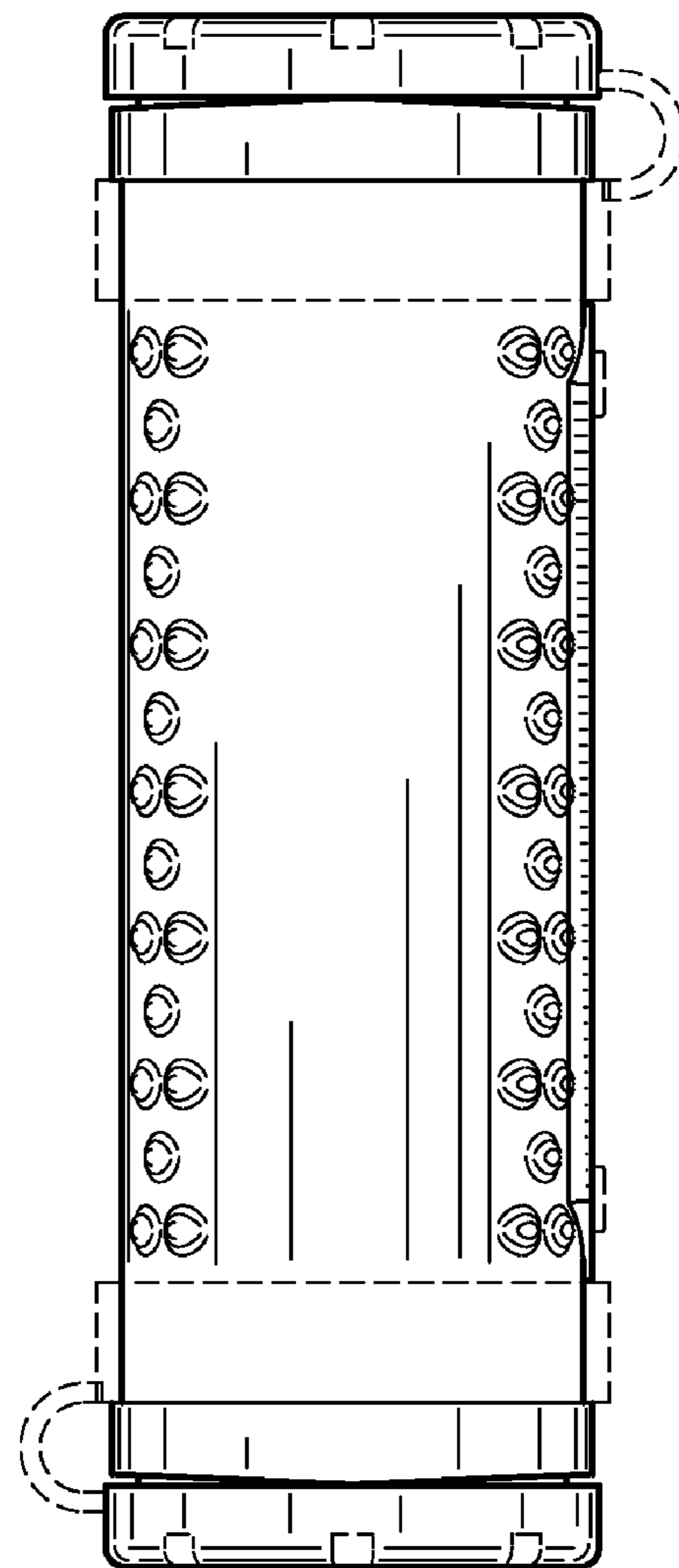


FIG. 7