



US00D578299S

(12) **United States Design Patent**
Dennis

(10) **Patent No.:** **US D578,299 S**

(45) **Date of Patent:** **** Oct. 14, 2008**

(54) **FLASHING LIGHT SHOE CHARM**

(75) Inventor: **Helen Dennis**, Wheeling, IL (US)

(73) Assignee: **D. M. Merchandising, Inc.**, Elmhurst, IL (US)

(**) Term: **14 Years**

(21) Appl. No.: **29/298,619**

(22) Filed: **Dec. 10, 2007**

(51) **LOC (8) Cl.** **02-07**

(52) **U.S. Cl.** **D2/976; D2/946; D26/1; D26/51**

(58) **Field of Classification Search** D2/896, D2/902, 903, 904, 905, 909, 916, 924, 925, D2/946, 969, 970-976; D26/1, 2, 4, 8, 22, D26/23, 26, 37, 38, 51, 56, 60; 36/113, 114, 36/131, 136, 137; 362/103, 104, 806, 810
See application file for complete search history.

(56) **References Cited**

U.S. PATENT DOCUMENTS

1,184,396	A *	5/1916	Trimble	362/363
2,233,544	A *	3/1941	McKinley	359/519
2,572,760	A *	10/1951	Rikelman	362/103
2,632,093	A *	3/1953	De Merolis et al.	362/103
2,671,847	A *	3/1954	Lerch	362/103
3,067,322	A *	12/1962	Sala	362/103
3,070,907	A *	1/1963	Rocco	36/8.3
D208,474	S *	9/1967	Curl	D26/1
D216,702	S *	3/1970	Clough	D26/2
D303,015	S *	8/1989	Fields et al.	D26/26
5,438,488	A *	8/1995	Dion	362/103
5,456,032	A *	10/1995	Matsumoto et al.	40/636
D379,537	S *	5/1997	Gallant et al.	D26/2

5,746,500	A *	5/1998	Chien	362/103
D397,233	S *	8/1998	Bassford	D26/67
5,970,633	A *	10/1999	Jones et al.	36/136
6,050,007	A *	4/2000	Angelieri et al.	36/137
D460,204	S *	7/2002	Giese	D26/26
D539,443	S *	3/2007	Kwong et al.	D26/2
D554,847	S *	11/2007	Schmelzer et al.	D2/976
2002/0109981	A1 *	8/2002	Amici	362/103
2004/0237351	A1 *	12/2004	Howell	36/136
2006/0230641	A1 *	10/2006	Vick et al.	36/137
2008/0019119	A1 *	1/2008	Marston	362/103
2008/0060110	A1 *	3/2008	Schmelzer et al.	2/69

* cited by examiner

Primary Examiner—Ian Simmons

Assistant Examiner—Elizabeth J Oswecki

(74) *Attorney, Agent, or Firm*—Clausen Miller P.C.

(57) **CLAIM**

The ornamental design for a flashing light shoe charm, as shown and described.

DESCRIPTION

FIG. 1 is a perspective view of a flashing light shoe charm showing my new design;

FIG. 2 is a front elevational view thereof;

FIG. 3 is a top plan thereof;

FIG. 4 is a bottom plan view thereof; and,

FIG. 5 is a perspective view of a flashing light shoe charm in a used condition.

The broken line showing of a shoe in FIG. 5 is included for the purpose of illustrating only and forms no part of the claimed design.

1 Claim, 1 Drawing Sheet

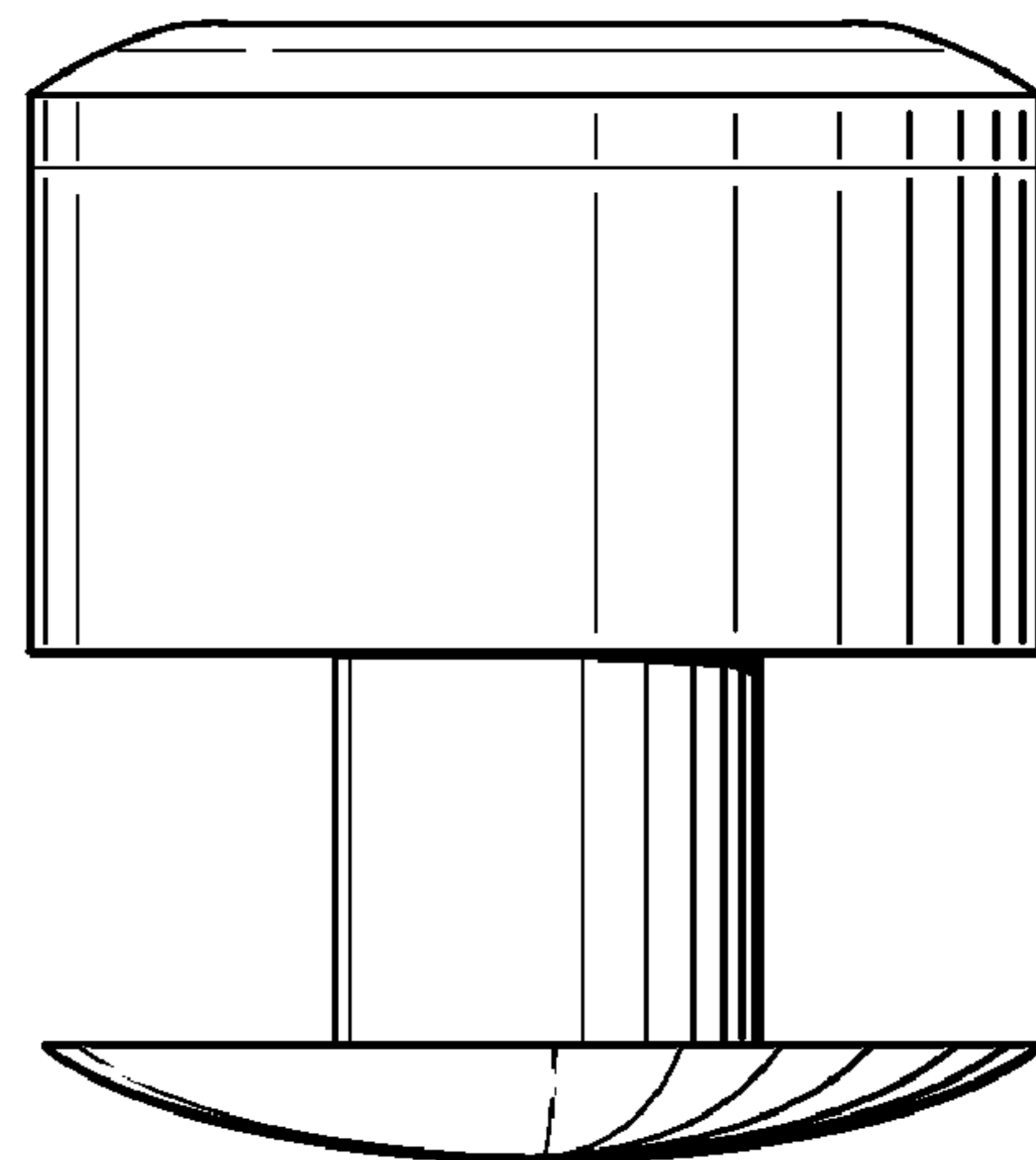
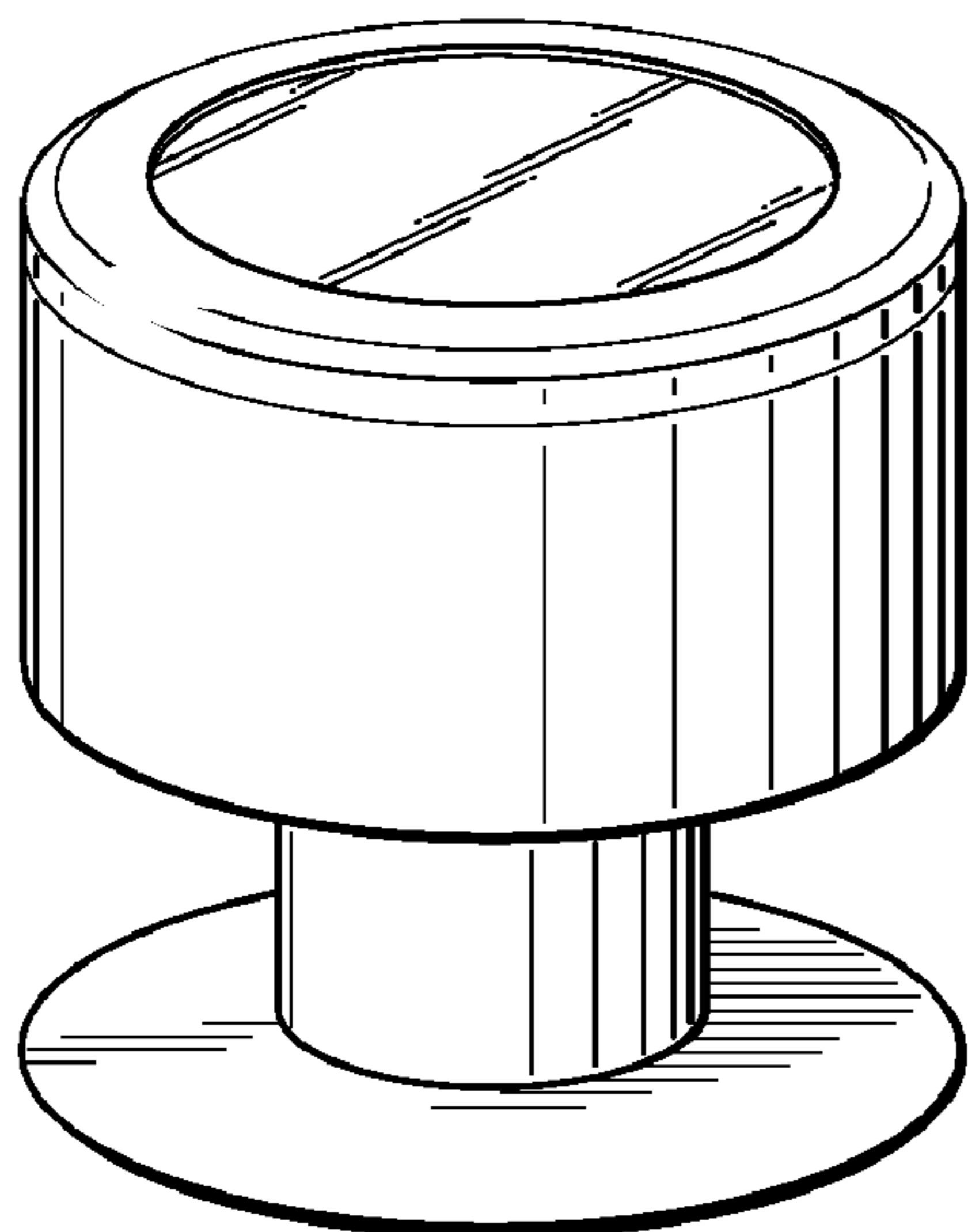


Fig. 1

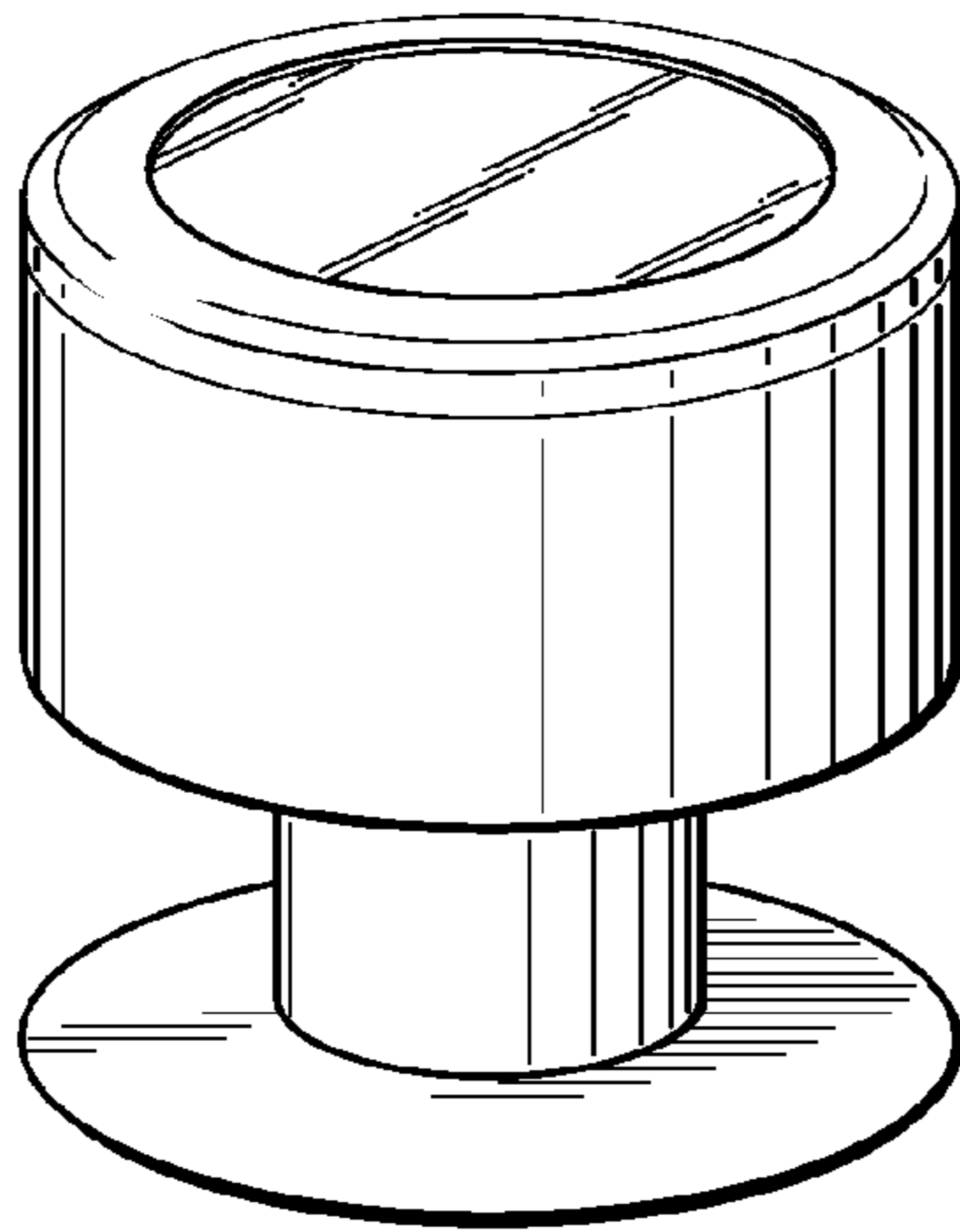


Fig. 2

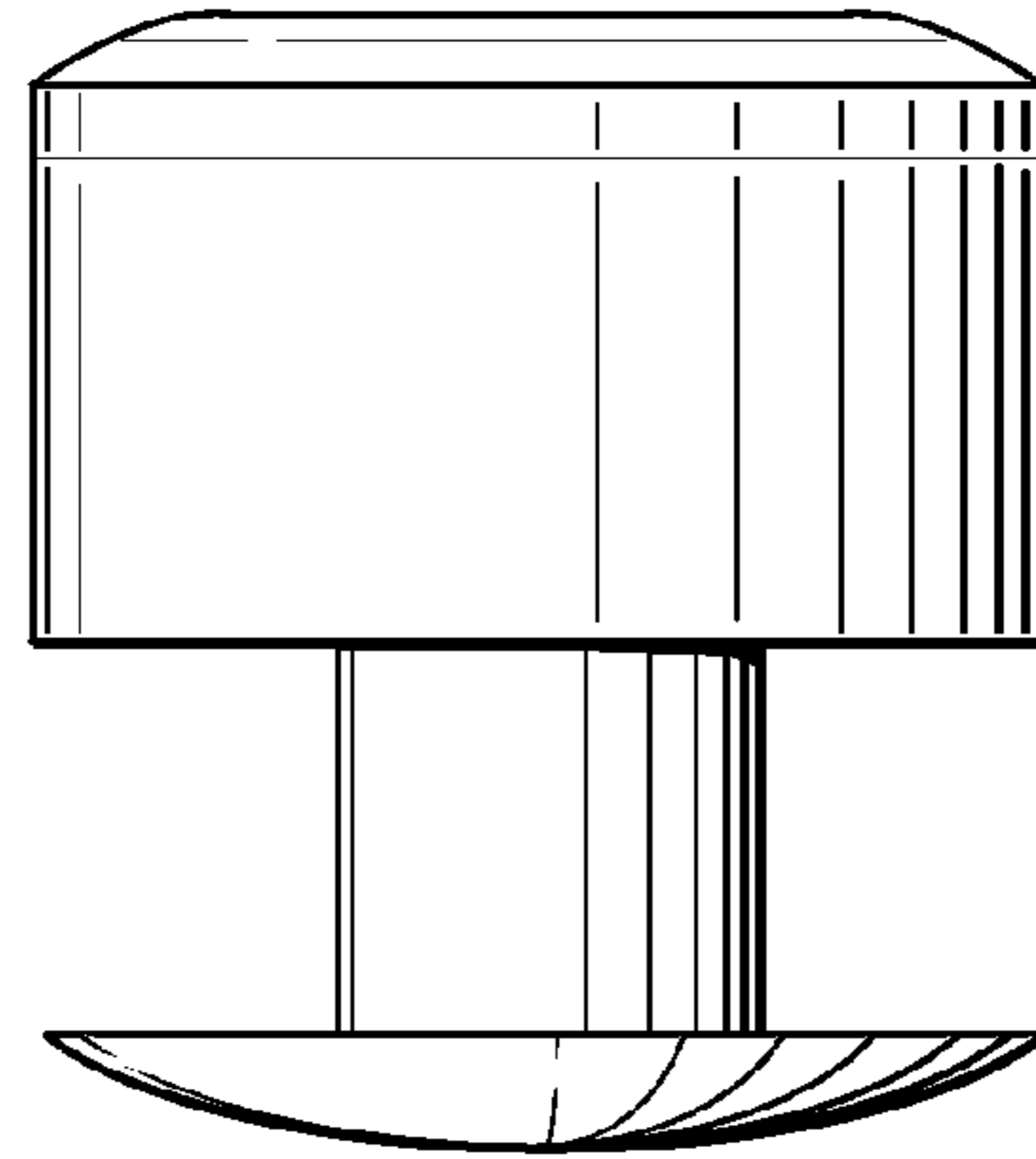


Fig. 3

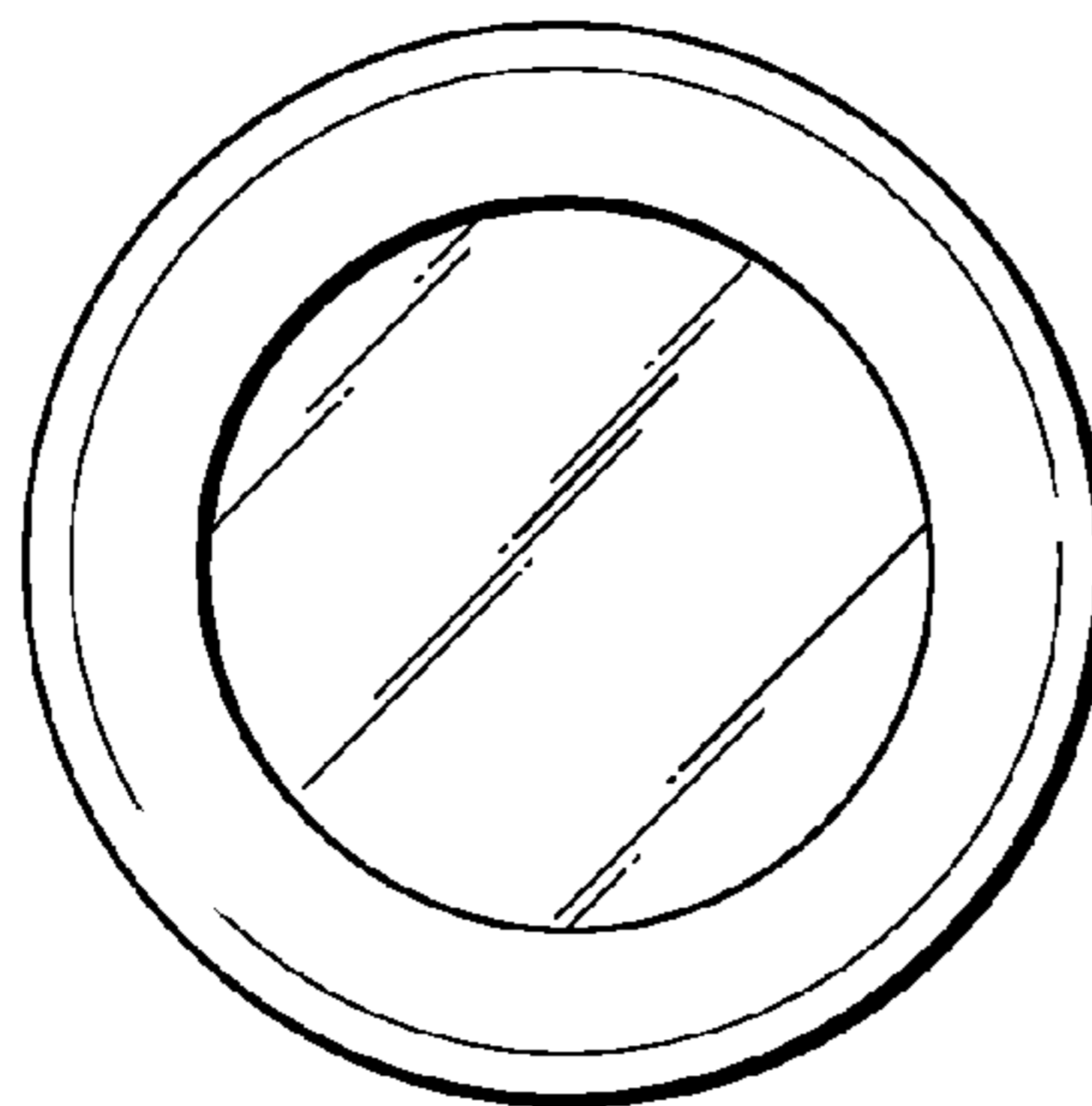


Fig. 4

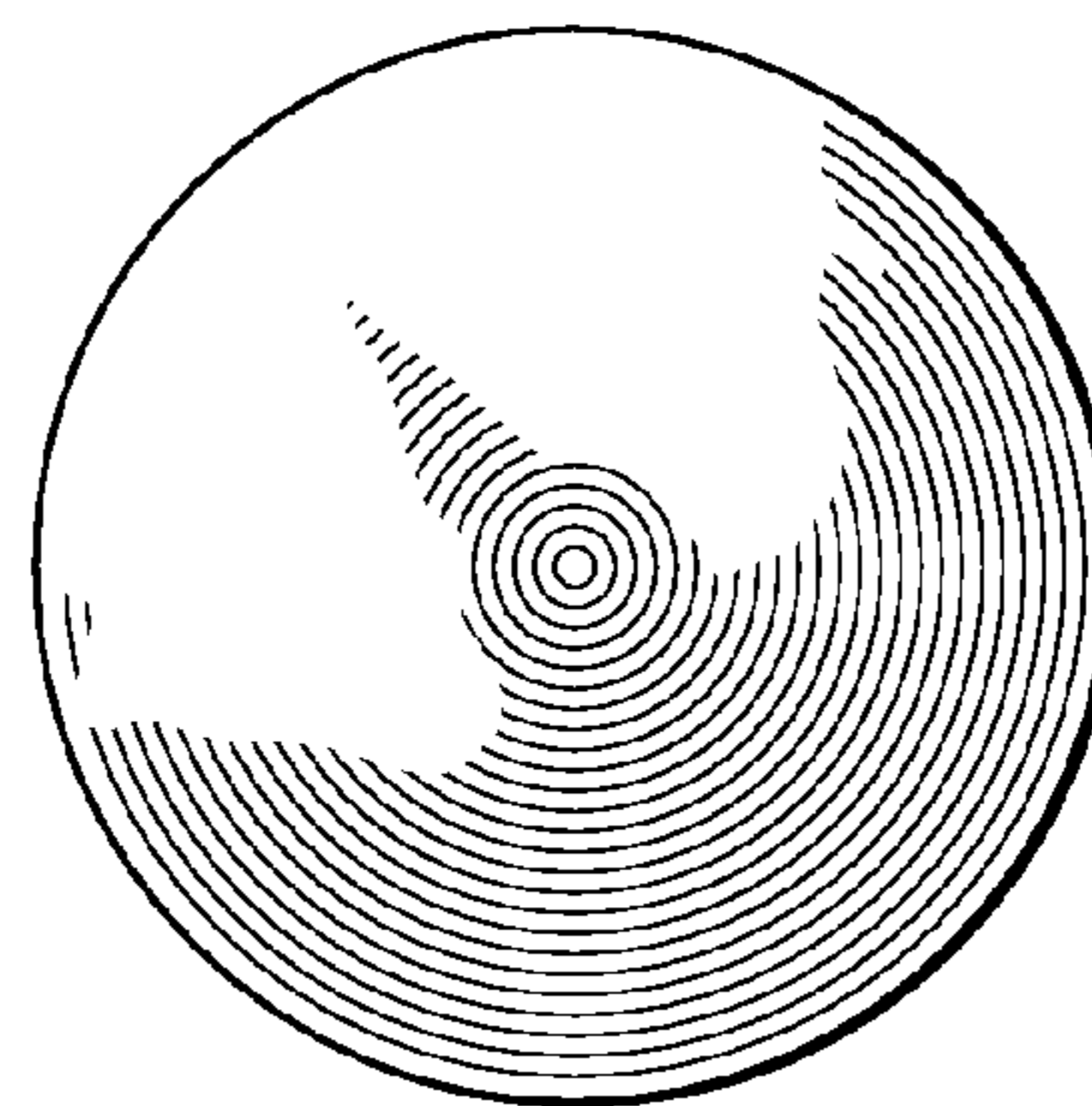


Fig. 5

