



US00D578274S

(12) **United States Design Patent**  
**Tokach et al.**

(10) **Patent No.:** **US D578,274 S**  
(45) **Date of Patent:** **\*\* Oct. 7, 2008**

(54) **REAR COVER FOR A UTILITY VEHICLE**  
(75) Inventors: **Thomas J. Tokach**, Mandan, ND (US);  
**Jeffrey A. Dahl**, Bismarck, ND (US)  
(73) Assignee: **Clark Equipment Company**, West  
Fargo, ND (US)

D412,712 S 8/1999 Miller et al.  
D471,340 S 3/2003 Shibata et al.  
D471,689 S 3/2003 Shibata et al.  
D490,444 S 5/2004 Kuwae  
D500,056 S 12/2004 DeYoung et al.  
D506,211 S 6/2005 Kuwae et al.  
D508,499 S 8/2005 Kurtz, Jr.  
D560,050 S 1/2008 Tokach et al.

(\*\*) Term: **14 Years**  
(21) Appl. No.: **29/297,169**  
(22) Filed: **Nov. 6, 2007**

\* cited by examiner  
*Primary Examiner*—Stella M. Reid  
*Assistant Examiner*—Mark A Goodwin  
(74) *Attorney, Agent, or Firm*—Leanne Taveggia Farrell;  
Westman, Champlin & Kelly, P.A.

**Related U.S. Application Data**

(62) Division of application No. 29/248,297, filed on Aug.  
8, 2006, now Pat. No. Des. 560,050.

(51) **LOC (8) Cl.** ..... **12-05**  
(52) **U.S. Cl.** ..... **D34/35; D15/31**  
(58) **Field of Classification Search** ..... D15/30,  
D15/31, 33, 17; D34/33–35, 37; 293/102;  
414/785, 592; 180/89.14, 89.17, 89.18, 89.19;  
187/222

See application file for complete search history.

(56) **References Cited**

**U.S. PATENT DOCUMENTS**

D175,804 S \* 10/1955 Squier et al. .... D34/37  
D178,343 S \* 7/1956 Dorkins ..... D34/37  
D242,337 S 11/1976 Priester et al.  
D271,720 S 12/1983 Brown et al.  
D272,956 S 3/1984 Kirby et al.  
D284,577 S 7/1986 DuBose  
D353,704 S 12/1994 Bhambra  
D361,645 S 8/1995 Heiler  
D369,010 S 4/1996 Soderberg

(57) **CLAIM**

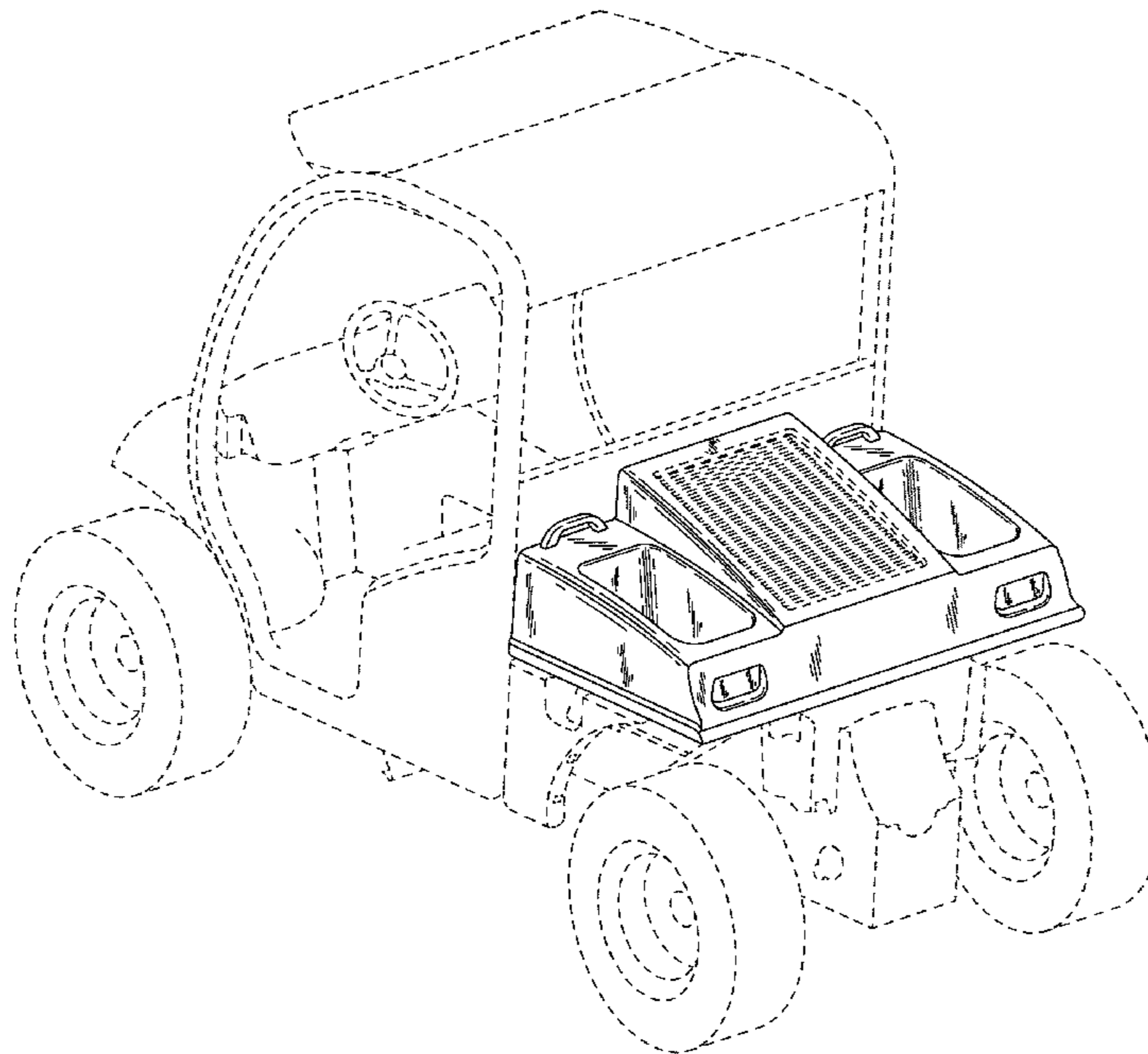
The ornamental design for a rear cover for a utility vehicle, as shown and described.

**DESCRIPTION**

FIG. 1 is a perspective view of a rear cover for a utility vehicle showing our new design;  
FIG. 2 is a left side view thereof;  
FIG. 3 is a right side view thereof;  
FIG. 4 is a front elevational view thereof;  
FIG. 5 is a rear elevational view thereof;  
FIG. 6 is a top plan view thereof; and,  
FIG. 7 is a bottom plan view thereof.

The broken line showing of the utility vehicle in FIG. 1 and portions of the rear cover for a utility vehicle in FIGS. 1, and 4–7 are included for the purpose of illustrating environmental structure and form no part of the claimed design.

**1 Claim, 7 Drawing Sheets**



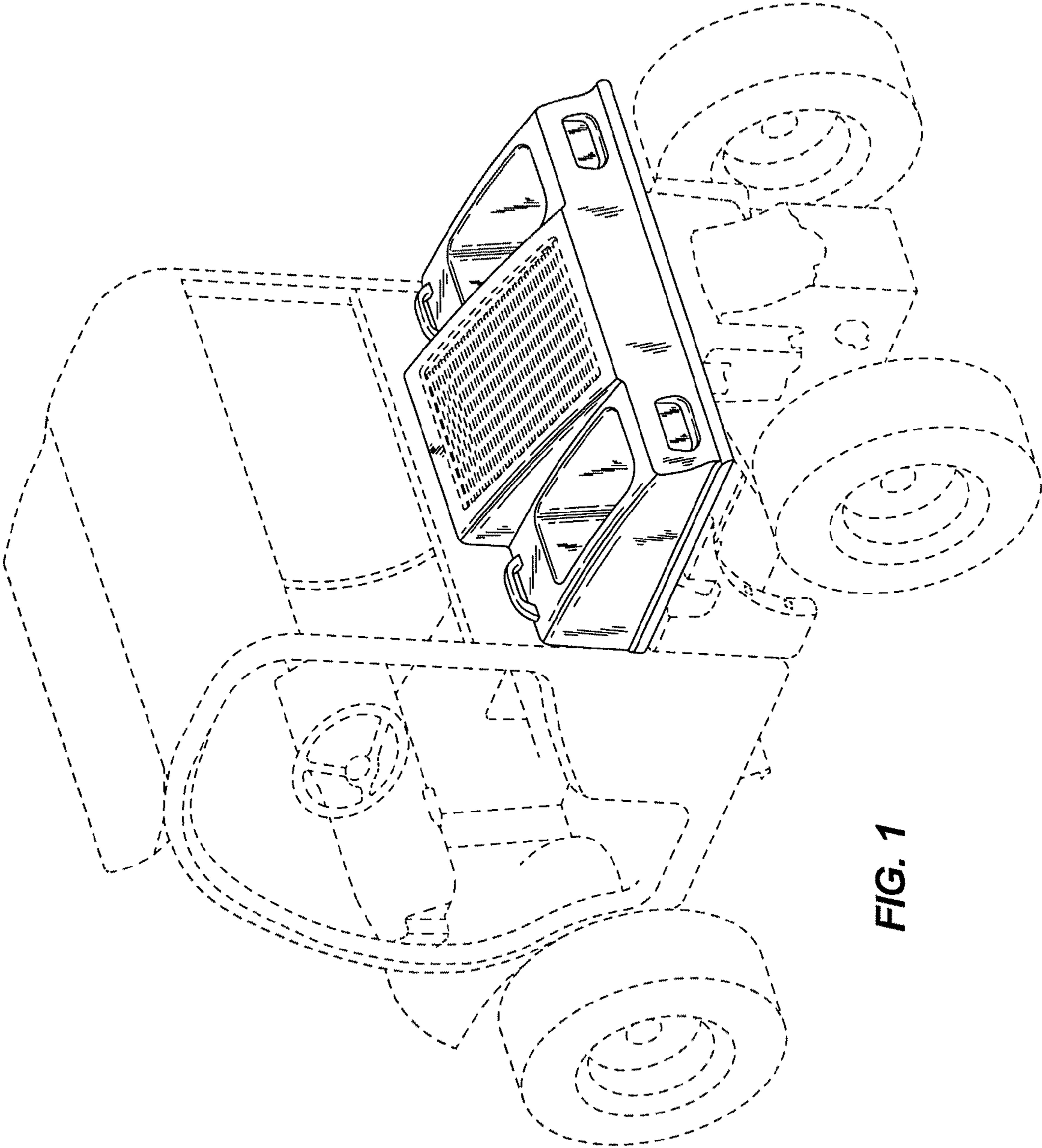
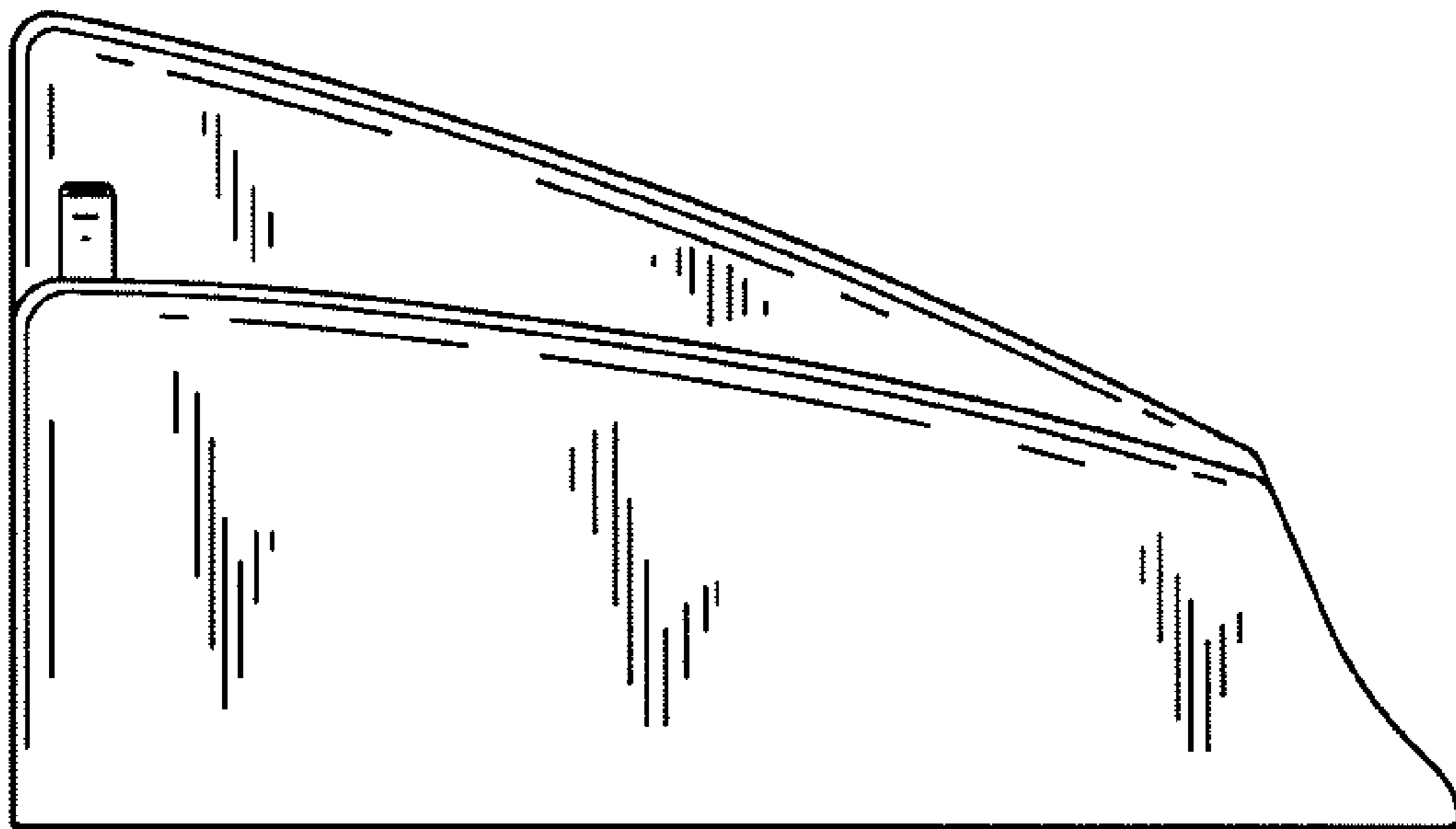
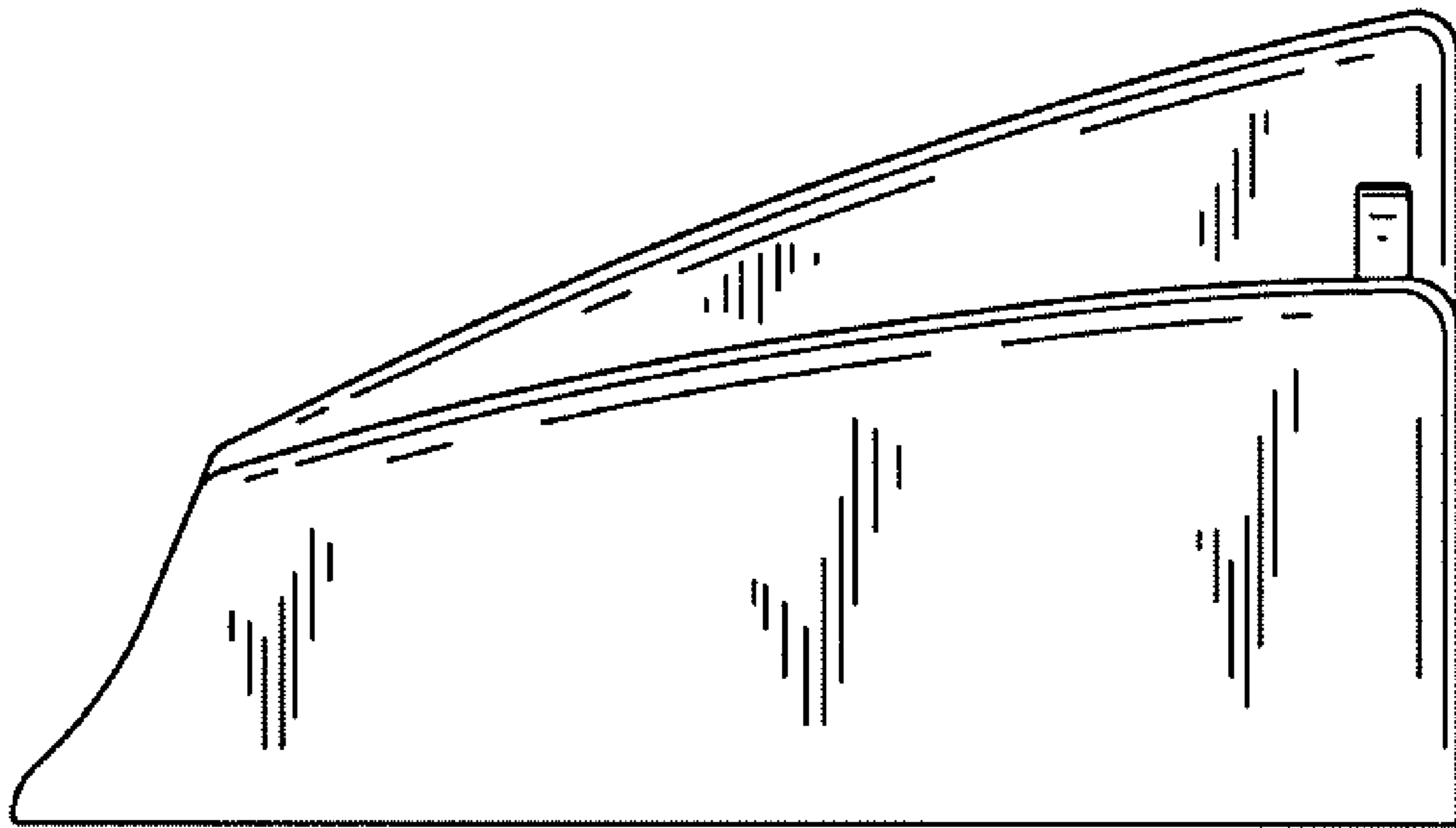


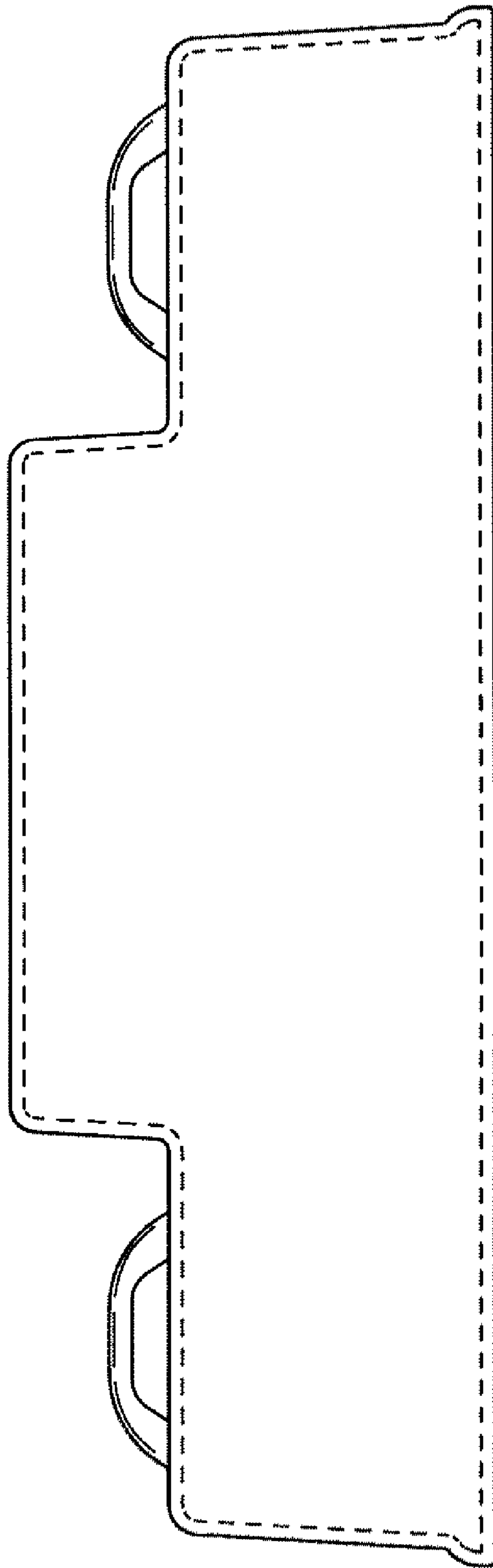
FIG. 1



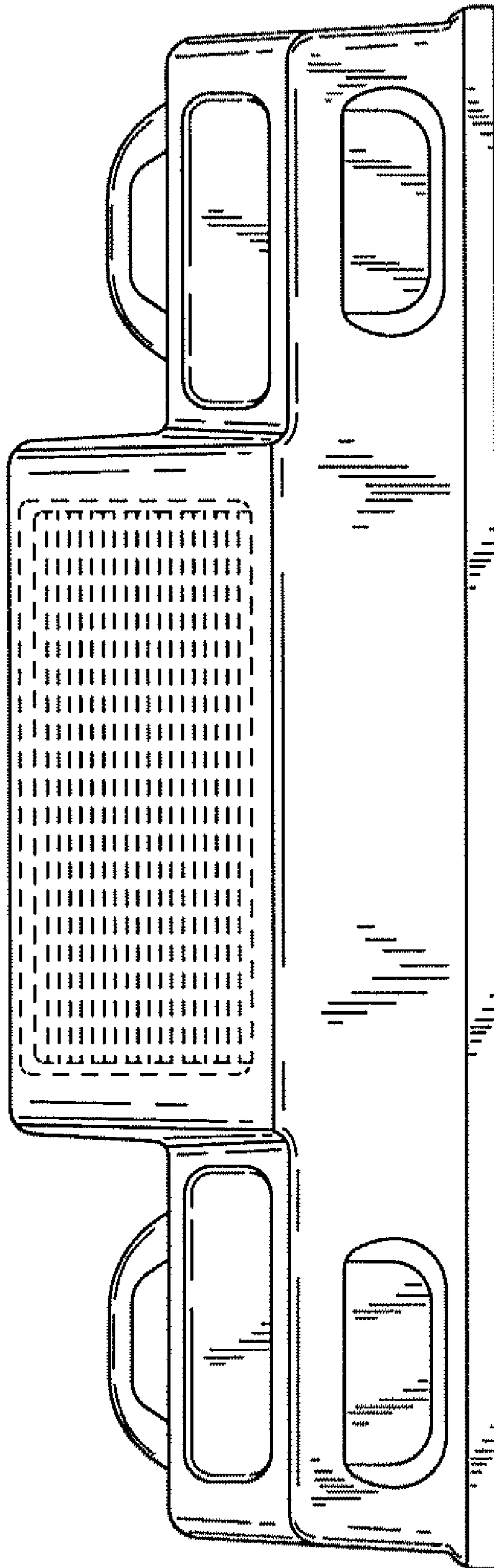
**FIG. 2**



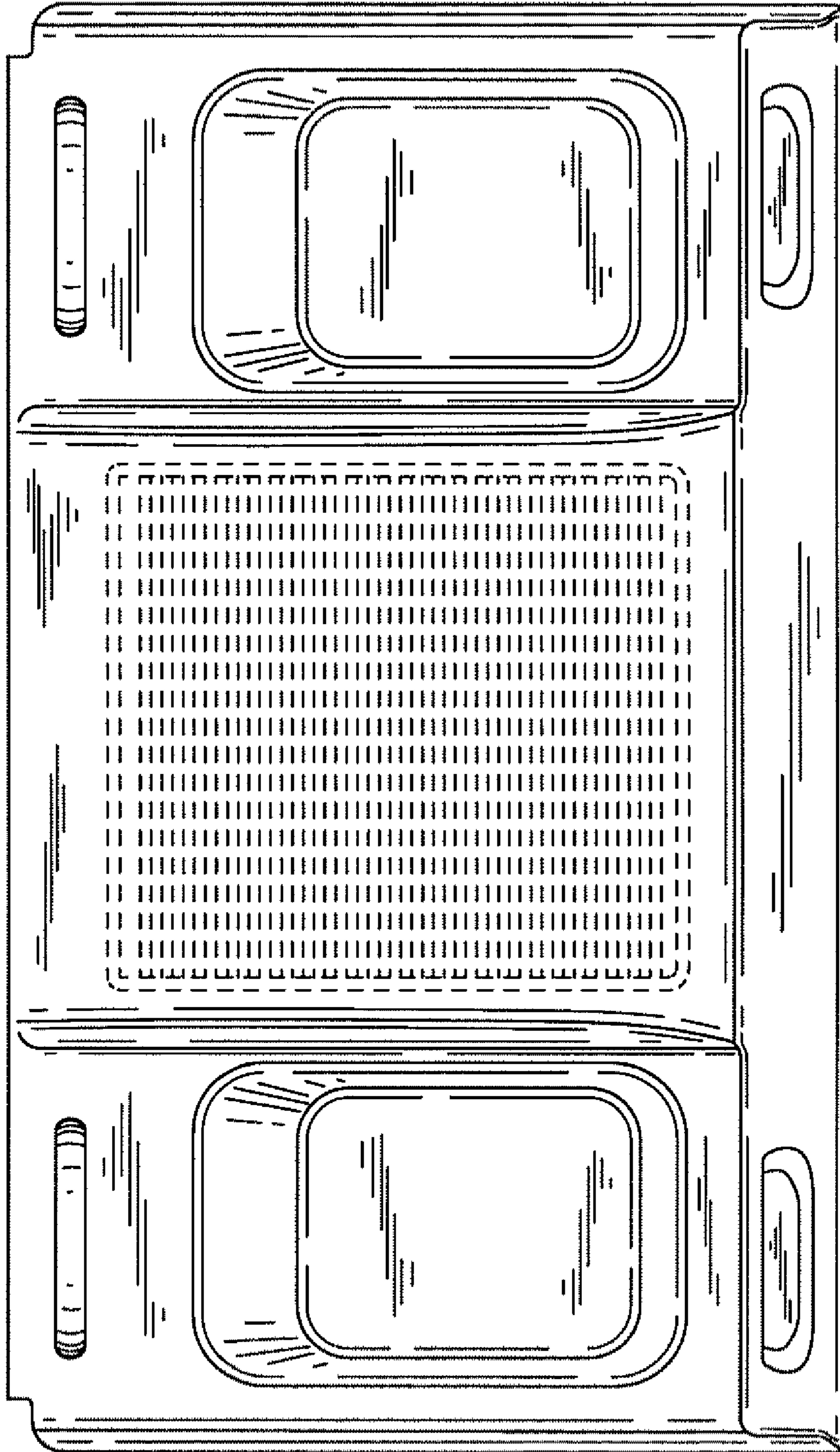
**FIG. 3**



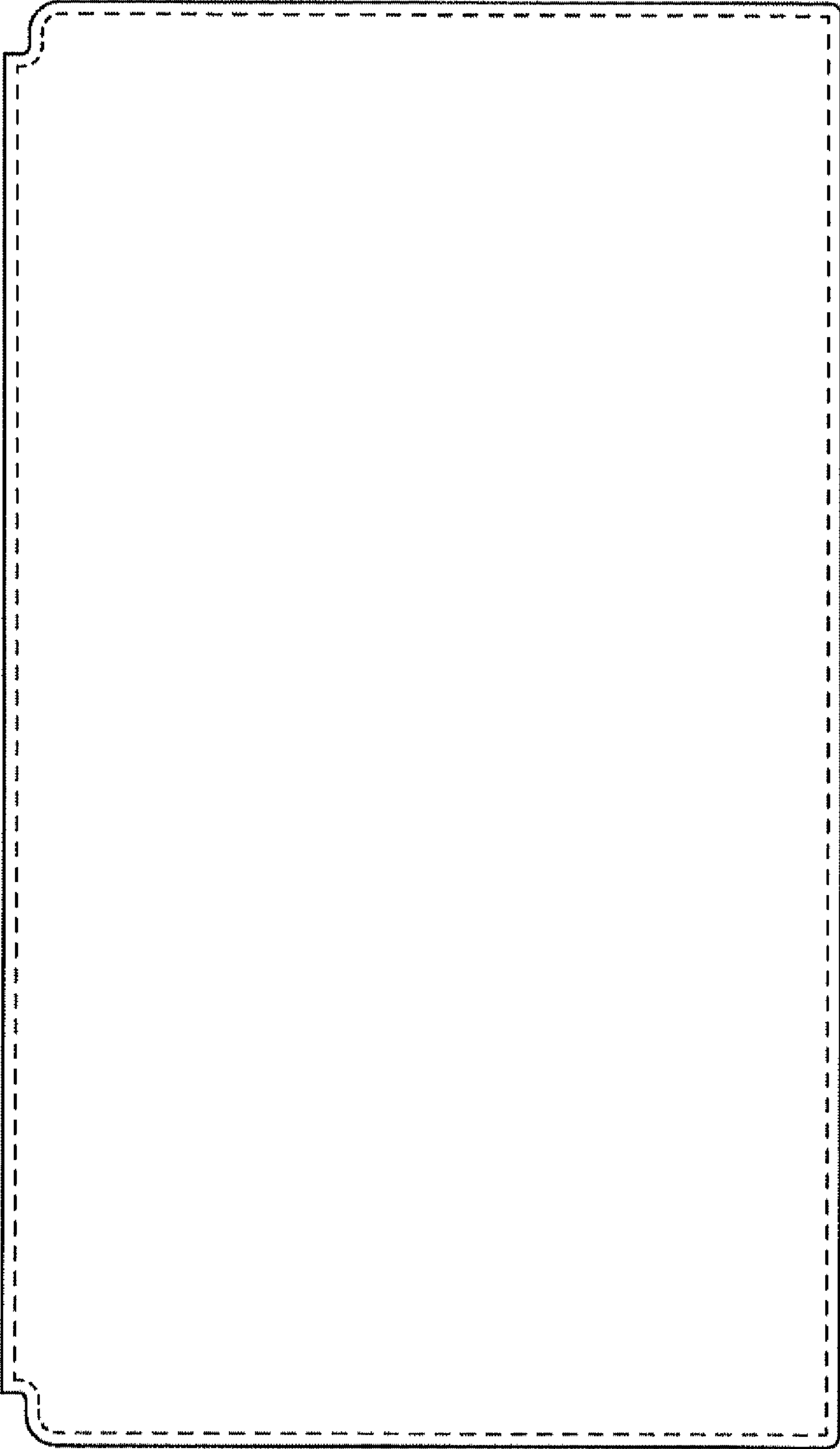
**FIG. 4**



**FIG. 5**



**FIG. 6**



**FIG. 7**