



US00D578272S

(12) **United States Design Patent**  
**Kato et al.**

(10) **Patent No.:** **US D578,272 S**  
(45) **Date of Patent:** **\*\* Oct. 7, 2008**

- (54) **OPERATION PANEL FOR A CRANE OF AN AUTOMATED WAREHOUSING SYSTEM**
- (75) Inventors: **Naoto Kato**, Kariya (JP); **Hiroshi Ito**, Kariya (JP)
- (73) Assignee: **Kabushiki Kaisha Toyota Jidoshokki**, Kariya-shi (JP)
- (\*\*) Term: **14 Years**
- (21) Appl. No.: **29/273,246**
- (22) Filed: **Feb. 27, 2007**
- (30) **Foreign Application Priority Data**  
Sep. 1, 2006 (JP) ..... 2006-023496

- (51) **LOC (8) Cl.** ..... **12-05**
- (52) **U.S. Cl.** ..... **D34/35; D15/28**
- (58) **Field of Classification Search** ..... D34/28, D34/35; D15/28; D14/285, 247, 415; D12/192; D10/125; D13/162, 164; 212/324, 326, 212/327; 180/315; 414/273, 495, 454, 459, 414/460  
See application file for complete search history.

(56) **References Cited**

**U.S. PATENT DOCUMENTS**

4,232,370	A *	11/1980	Tapley	.....	700/214
D265,648	S *	8/1982	Fukushima et al.	.....	D14/247
D277,795	S *	2/1985	Griffiths	.....	D34/35
D287,005	S *	12/1986	Newton	.....	D13/162
5,141,380	A *	8/1992	Kato et al.	.....	414/273
5,141,381	A *	8/1992	Kato et al.	.....	414/273
5,327,354	A *	7/1994	Tsujimoto	.....	700/226
D364,878	S *	12/1995	Green et al.	.....	D14/258
D374,535	S *	10/1996	Feider et al.	.....	D34/35
D376,244	S *	12/1996	Feider et al.	.....	D34/35
D377,795	S *	2/1997	Gropper	.....	D14/197
D382,569	S *	8/1997	Esposito	.....	D15/28
D404,391	S *	1/1999	Herbstritt et al.	.....	D13/162
6,039,141	A *	3/2000	Denny	.....	180/329
D427,155	S *	6/2000	Pawley et al.	.....	D13/162

D432,995	S *	10/2000	Hubler et al.	.....	D13/162
D434,425	S *	11/2000	Rossow et al.	.....	D15/28
D439,257	S *	3/2001	Rossow et al.	.....	D15/28
D444,750	S *	7/2001	Meinhardt	.....	D12/192
6,612,636	B2 *	9/2003	Arthur et al.	.....	296/71
D491,524	S *	6/2004	Imai	.....	D13/122
D493,146	S *	7/2004	Brett et al.	.....	D13/164
D495,981	S *	9/2004	Tolle et al.	.....	D12/192
D505,239	S *	5/2005	Green et al.	.....	D34/35
D519,132	S *	4/2006	Laux et al.	.....	D15/28
D525,409	S *	7/2006	Cantrill et al.	.....	D34/35
D529,052	S *	9/2006	Dolesh et al.	.....	D15/28
D529,074	S *	9/2006	Inoue	.....	D18/41
D532,427	S *	11/2006	Kim	.....	D15/28
D542,504	S *	5/2007	Yanagida et al.	.....	D34/35
D543,558	S *	5/2007	Dolesh et al.	.....	D15/28
D555,602	S *	11/2007	Park	.....	D13/162
D563,624	S *	3/2008	Kato et al.	.....	D34/35

(Continued)

*Primary Examiner*—Stella M. Reid  
*Assistant Examiner*—Mark A Goodwin  
(74) *Attorney, Agent, or Firm*—Morgan & Finnegan, LLP

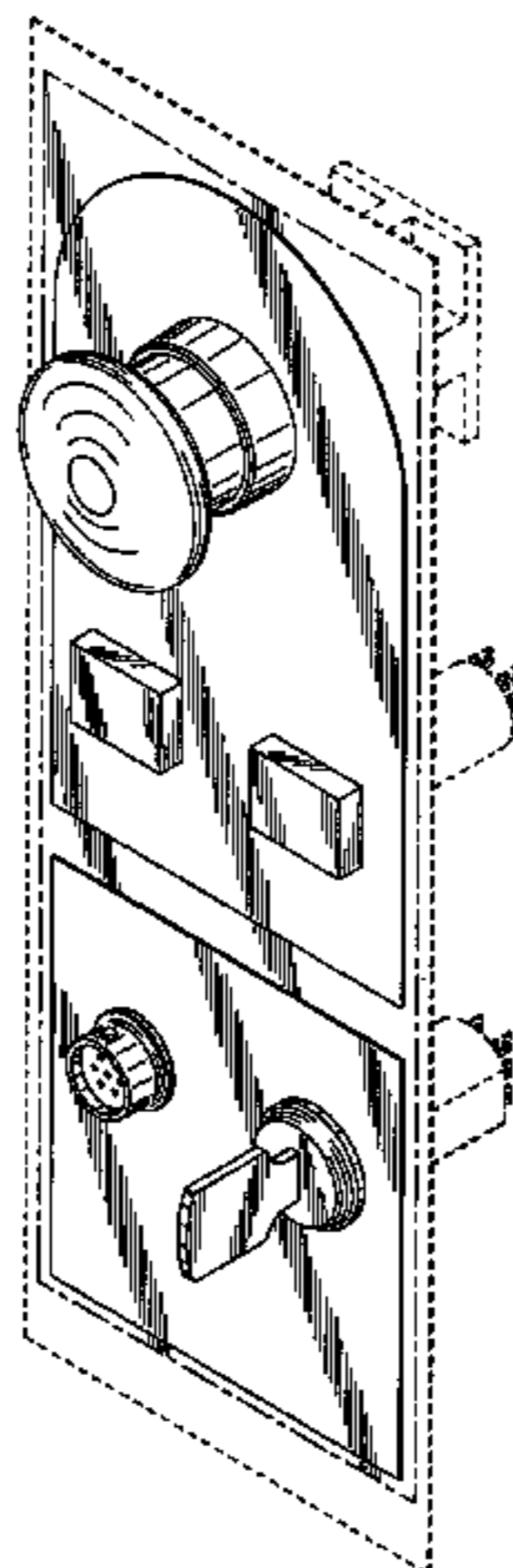
(57) **CLAIM**

The ornamental design for an operation panel for a crane of an automated warehousing system, as shown and described.

**DESCRIPTION**

FIG. 1 is a front perspective view of our design for an operation panel for a crane of an automated warehousing system; FIG. 2 is a front view thereof; FIG. 3 is a rear view thereof; FIG. 4 is a top plan view thereof; FIG. 5 is a bottom plan view thereof; FIG. 6 is a right side elevational view thereof; and, FIG. 7 is a left side elevational view thereof.  
The dotted lines are shown for illustrative purposes only and form no part of the claimed design. The dash-dotted line shown in FIGS. 1 and 2 defines the boundary of the claimed design and forms no part thereof.

**1 Claim, 4 Drawing Sheets**



# US D578,272 S

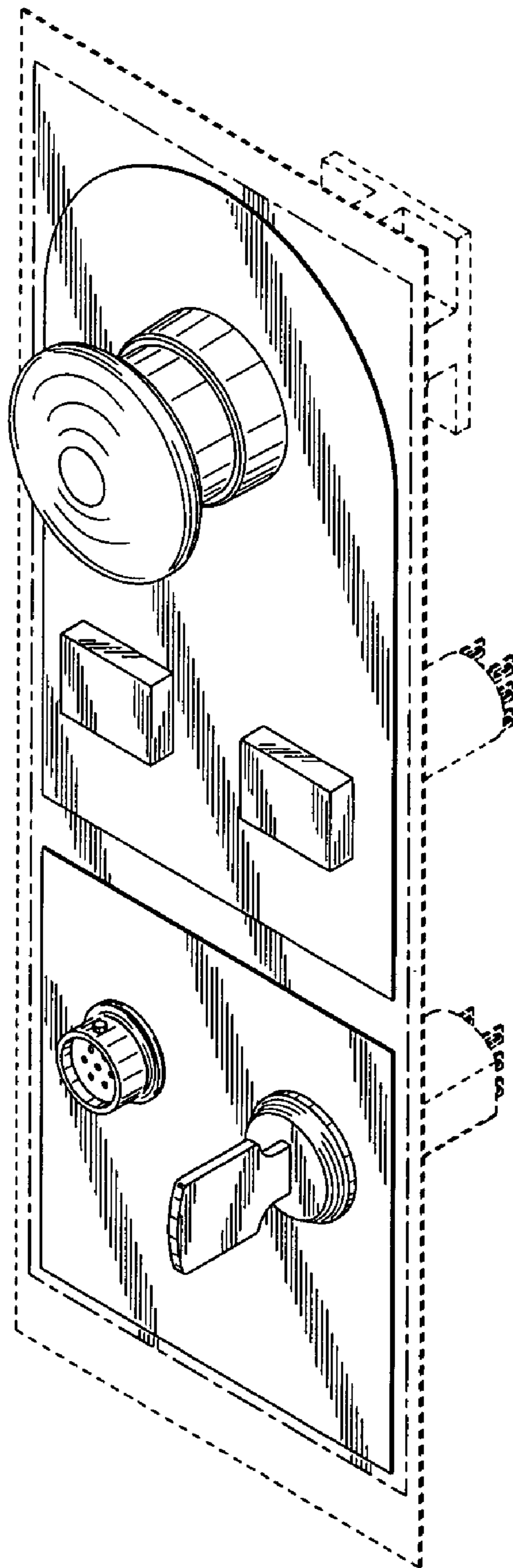
Page 2

---

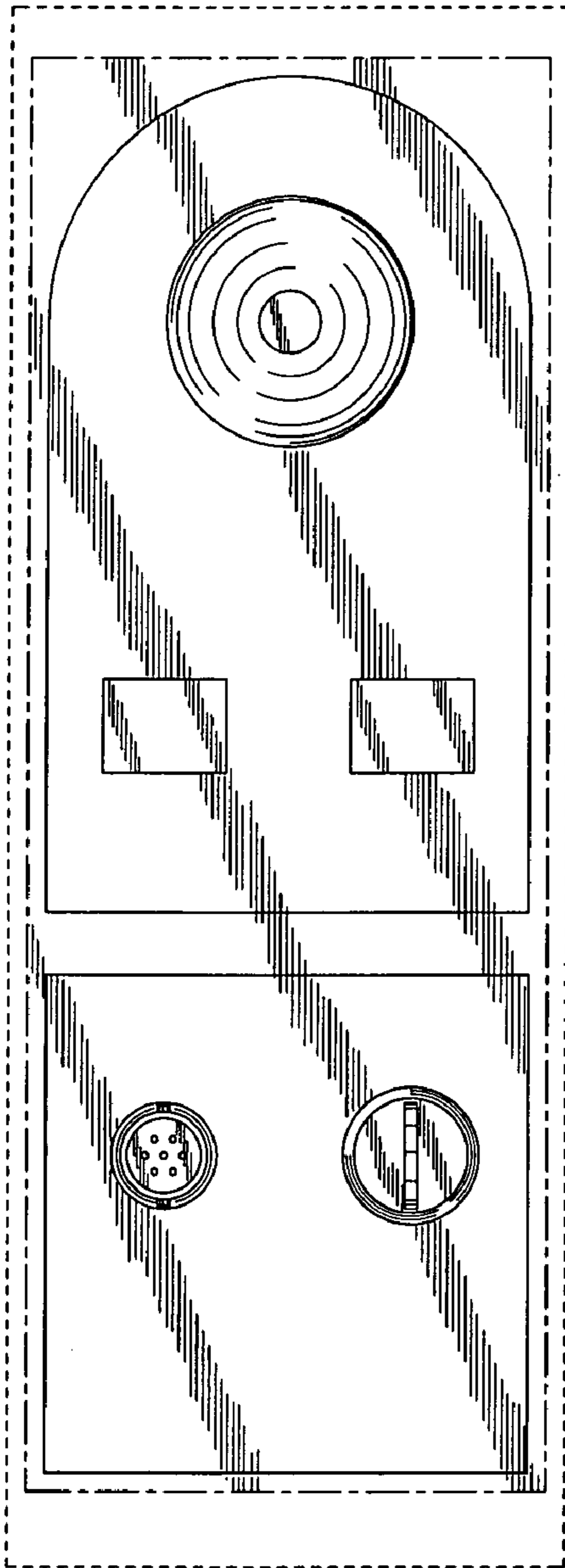
## U.S. PATENT DOCUMENTS

D563,908 S *	3/2008	Kohler et al. ....	D13/171	
D564,175 S *	3/2008	Kato et al. ....	D34/35	
				* cited by examiner
D568,574 S *	5/2008	Kato et al. ....	D34/35	
D568,681 S *	5/2008	Hillmann et al. ....	D7/405	

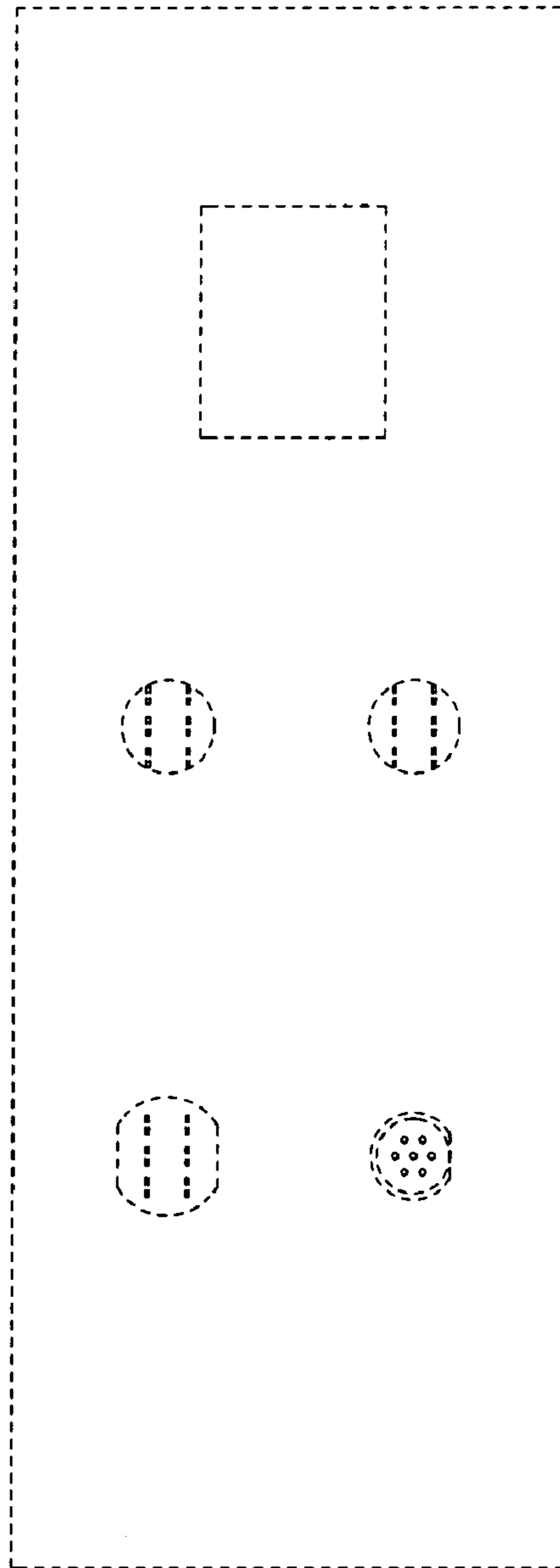
**FIG. 1**



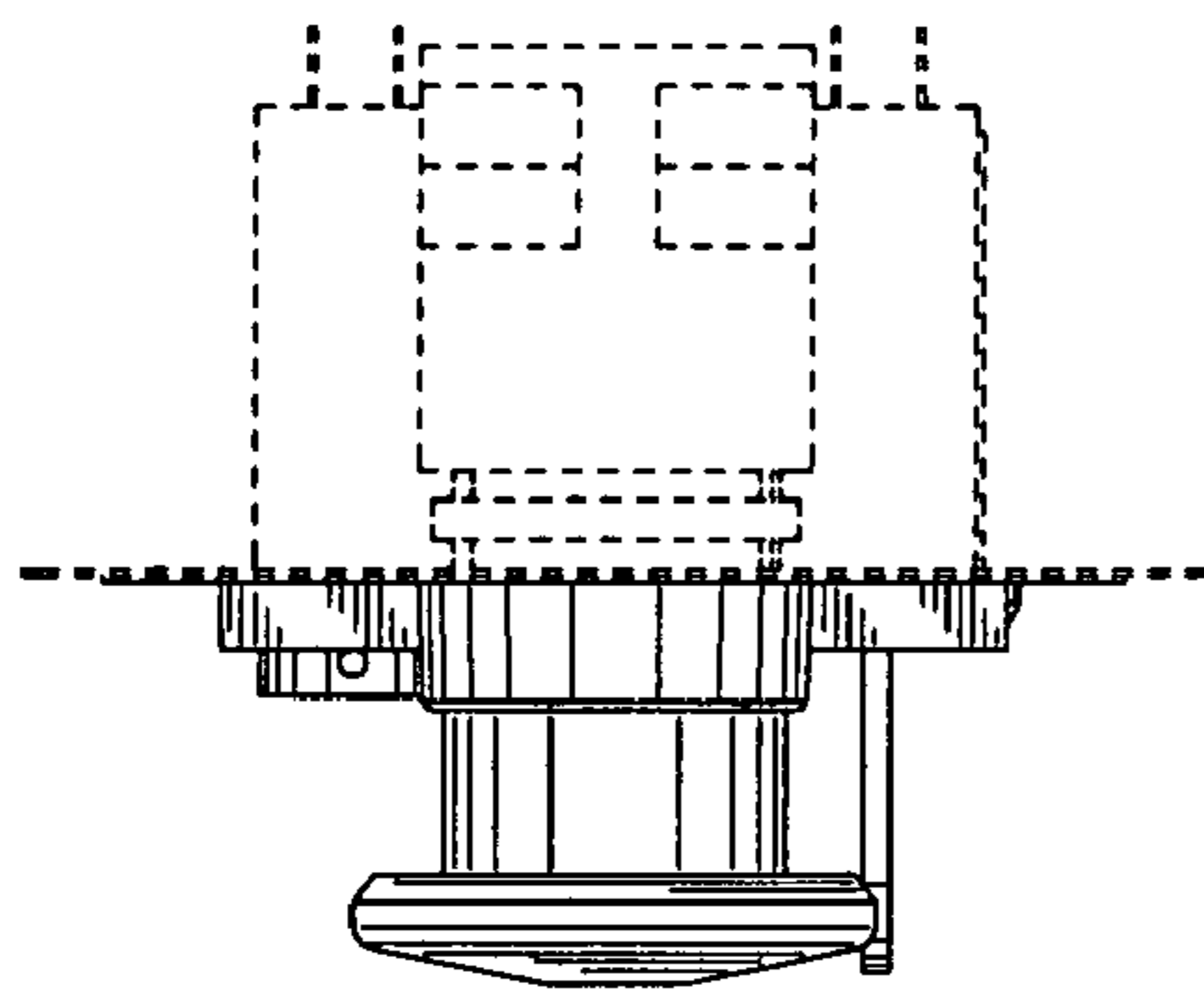
**FIG. 2**



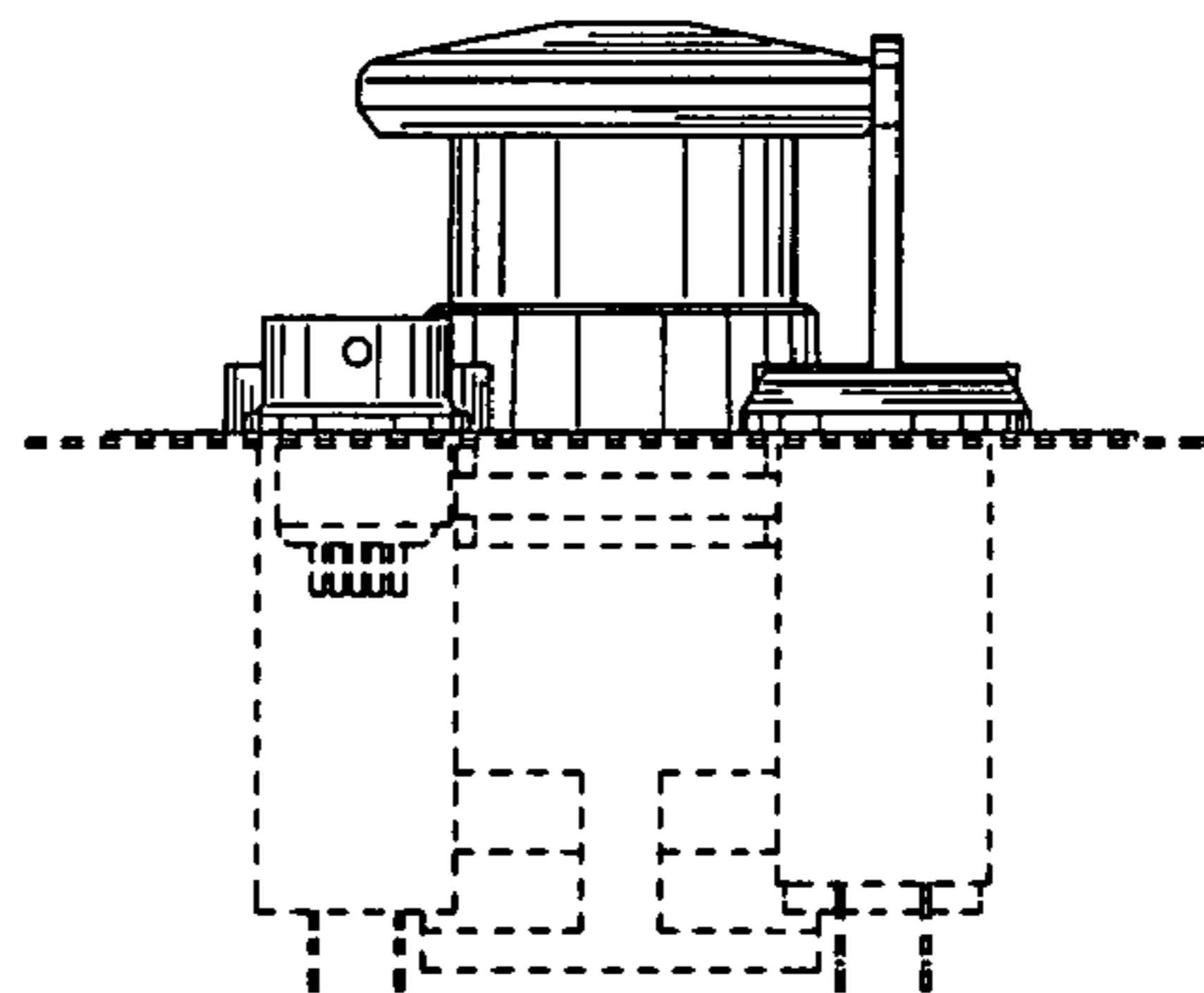
**FIG. 3**



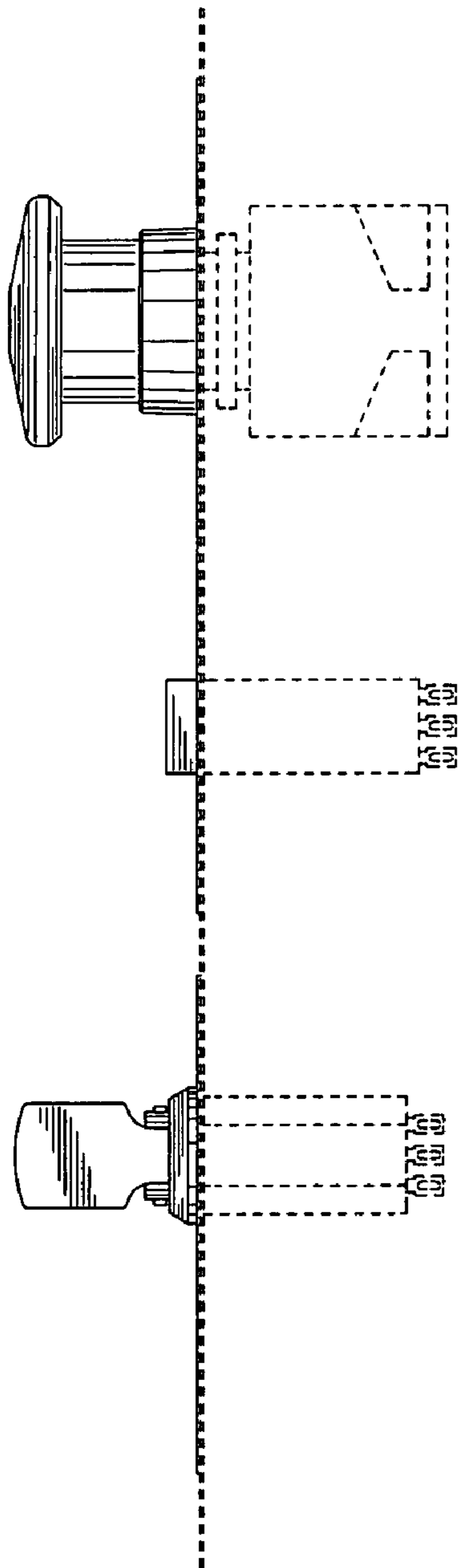
***FIG. 4***



***FIG. 5***



**FIG. 6**



**FIG. 7**

