



US00D578270S

(12) **United States Design Patent**
Mulka et al.

(10) **Patent No.:** **US D578,270 S**
(45) **Date of Patent:** **** Oct. 7, 2008**

(54) **HORIZONTALLY DIVIDED CART**

(76) Inventors: **William P. Mulka**, 308 Wallace Dr.,
Saline, MI (US) 48176; **Donald R. Eaton**, 1665 Sheridan Dr., Ann Arbor,
MI (US) 48104

(**) Term: **14 Years**

(21) Appl. No.: **29/294,185**

(22) Filed: **Dec. 26, 2007**

(51) **LOC (8) Cl.** **12-02**

(52) **U.S. Cl.** **D34/21**

(58) **Field of Classification Search** D34/12-27;
280/79.11, 79.2, 47.24, 47.33, 47.2; 211/186
See application file for complete search history.

(56) **References Cited**

U.S. PATENT DOCUMENTS

D205,399	S	*	8/1966	O'Rear	D34/18
5,048,849	A	*	9/1991	Mathews et al.	280/47.35
D324,285	S	*	2/1992	Macy	D34/21
5,108,120	A	*	4/1992	Jarmusz et al.	280/47.2
D333,895	S	*	3/1993	Niemeyer	D34/5
D352,585	S	*	11/1994	Binning	D34/17
D354,597	S	*	1/1995	Crane	D34/21
D356,197	S		3/1995	Loughlin		
D364,022	S		11/1995	Kazmark, Jr.		
D395,105	S		6/1998	Stallbaumer		

D439,719	S	*	3/2001	Kleinschmidt	D34/17
D456,105	S		4/2002	LeMarchand		
D514,767	S	*	2/2006	Schusler et al.	D34/12
D525,758	S		7/2006	Lynch		
2005/0285361	A1	*	12/2005	Gregory et al.	280/47.35

* cited by examiner

Primary Examiner—Cynthia E Ramirez
(74) *Attorney, Agent, or Firm*—Young Basile

(57) **CLAIM**

The ornamental design for a horizontally divided cart, as shown and described.

DESCRIPTION

FIG. 1 is a perspective view of horizontally divided cart showing our new design;

FIG. 2 is a perspective view thereof;

FIG. 3 is a side view thereof;

FIG. 4 is a front view thereof;

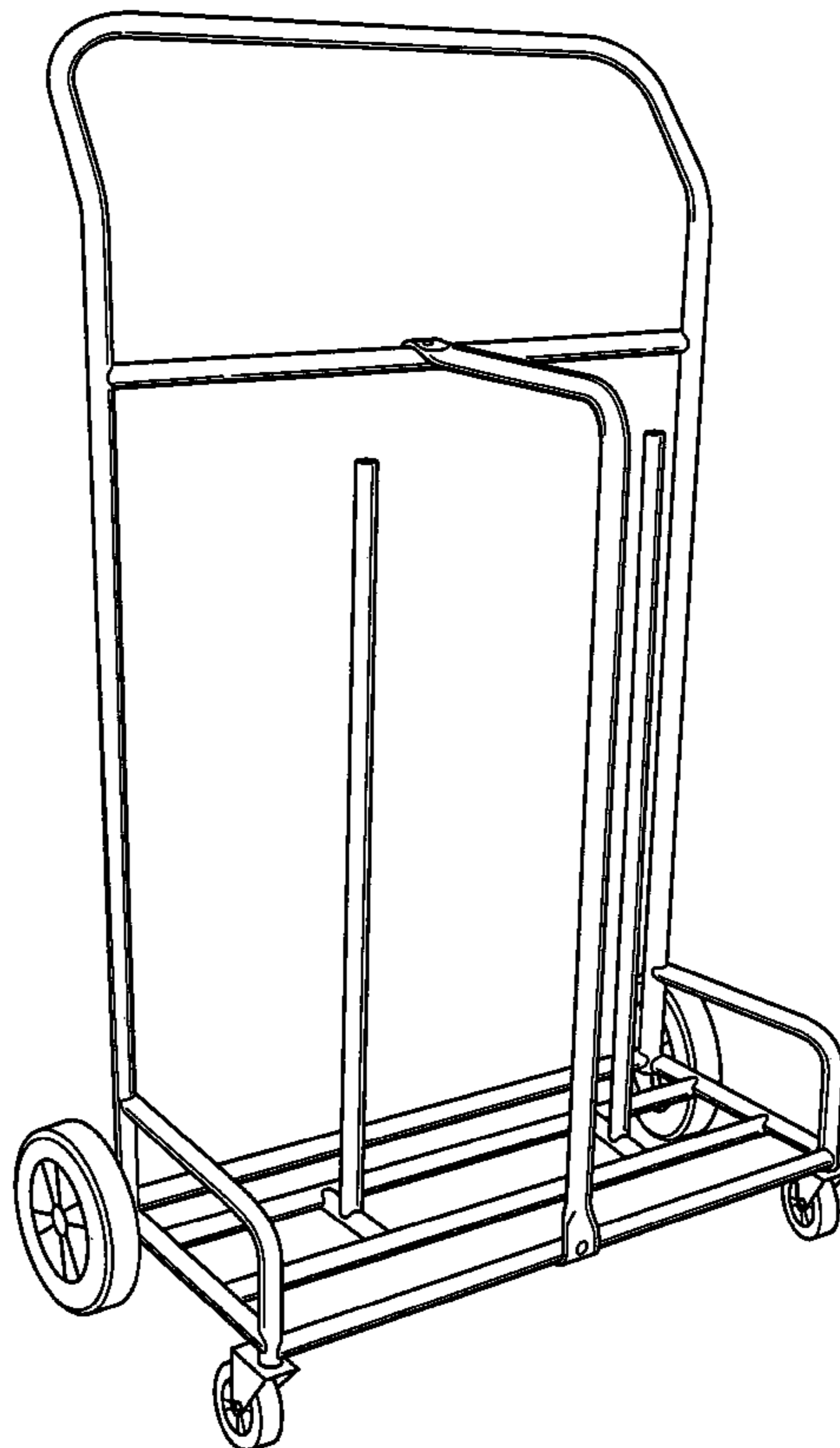
FIG. 5 is a top view thereof;

FIG. 6 is a bottom view thereof; and,

FIG. 7 is a rear view thereof.

The broken line showing of articles in FIG. 1 is included for the purpose of illustrating environment and forms no part of the claimed design.

1 Claim, 5 Drawing Sheets



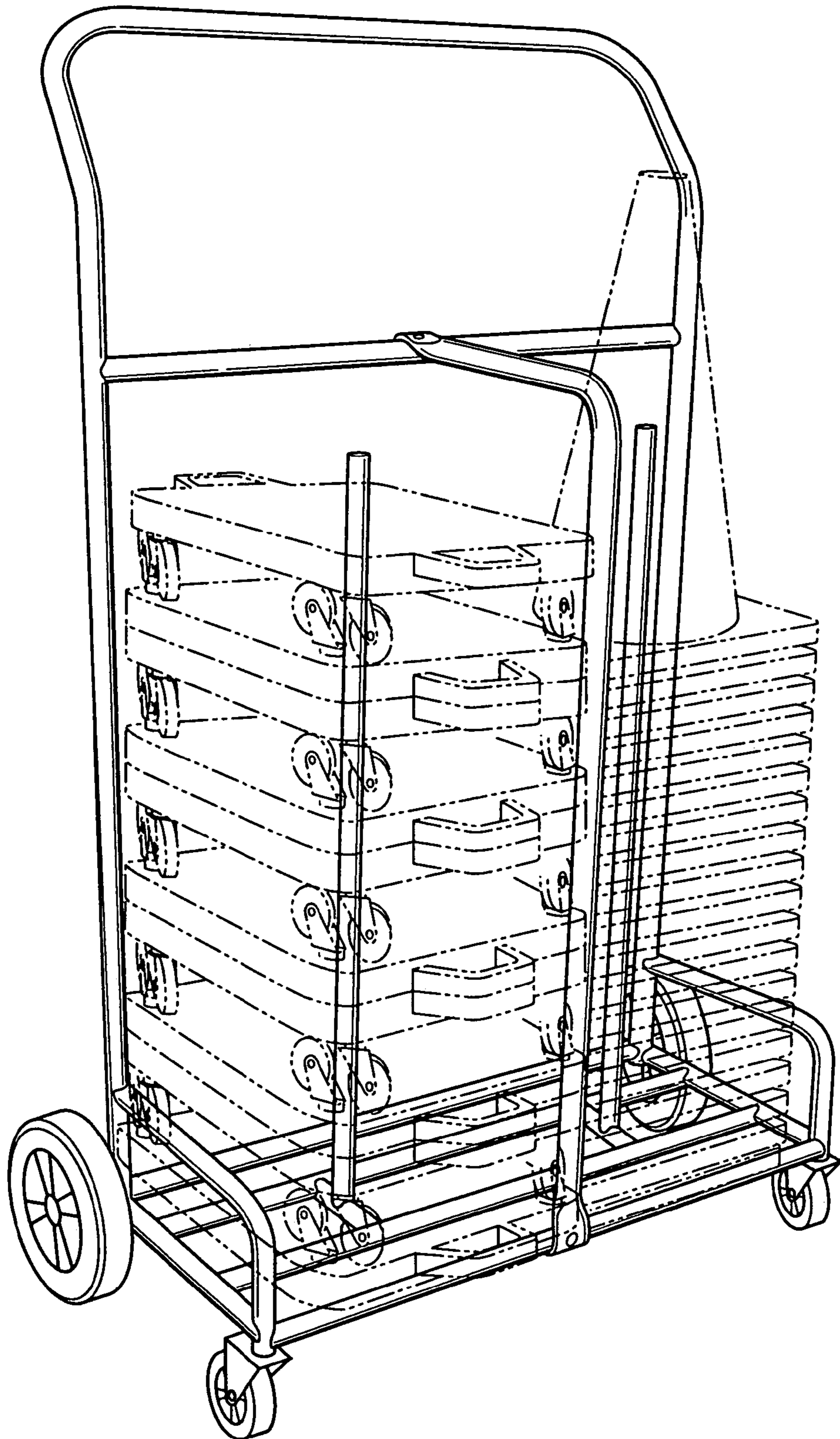


FIG - 1

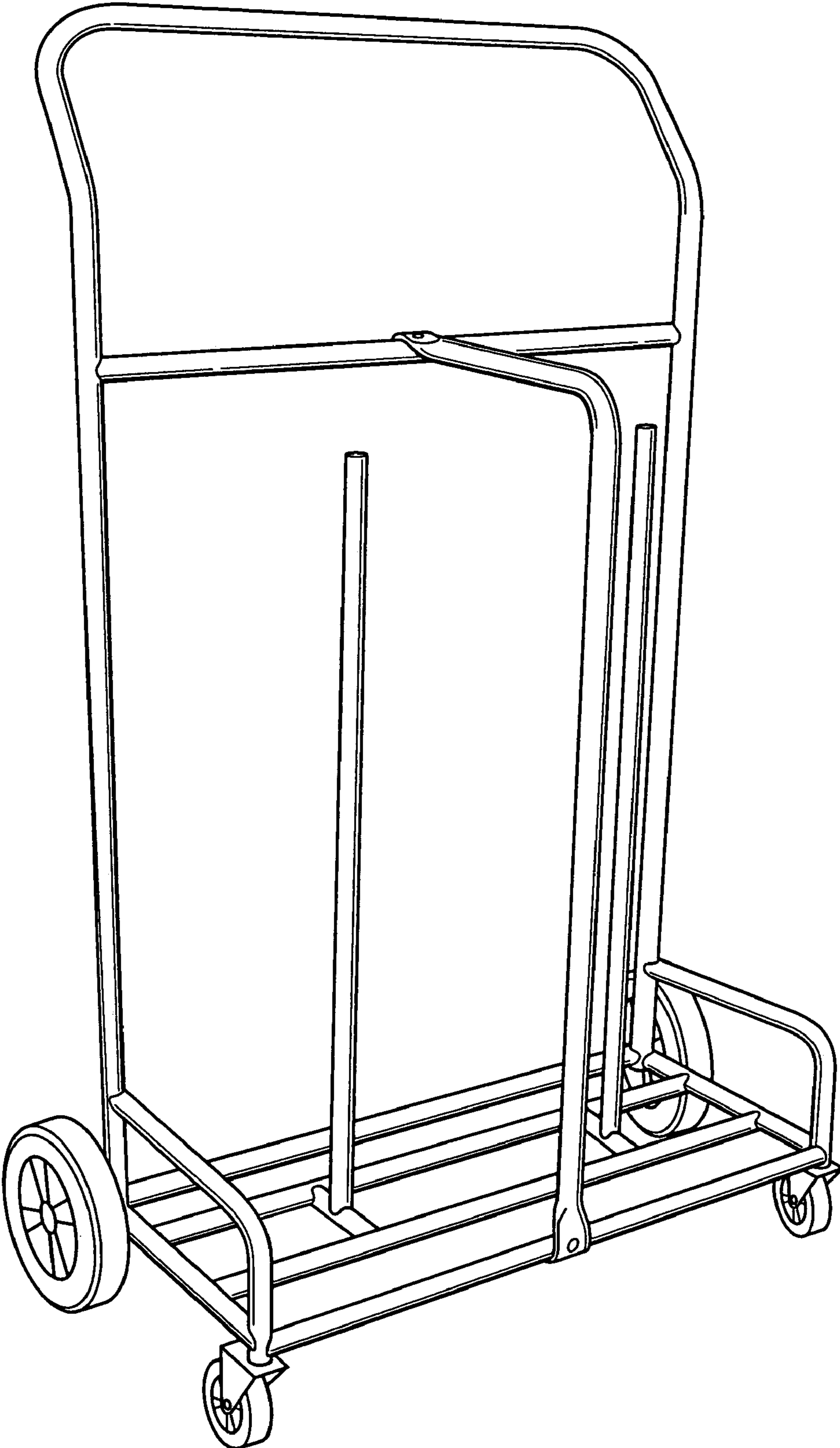


FIG - 2

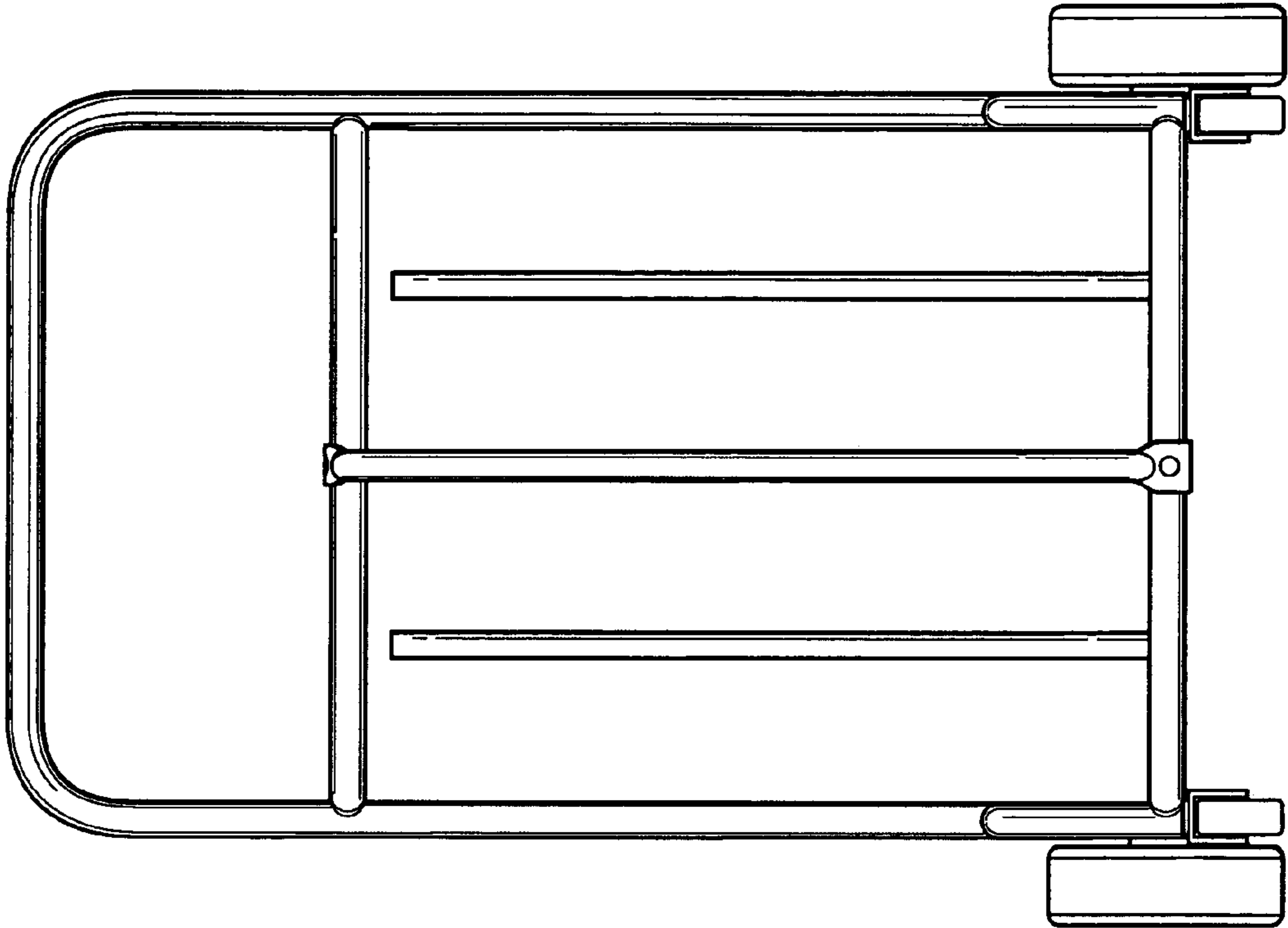


FIG - 4

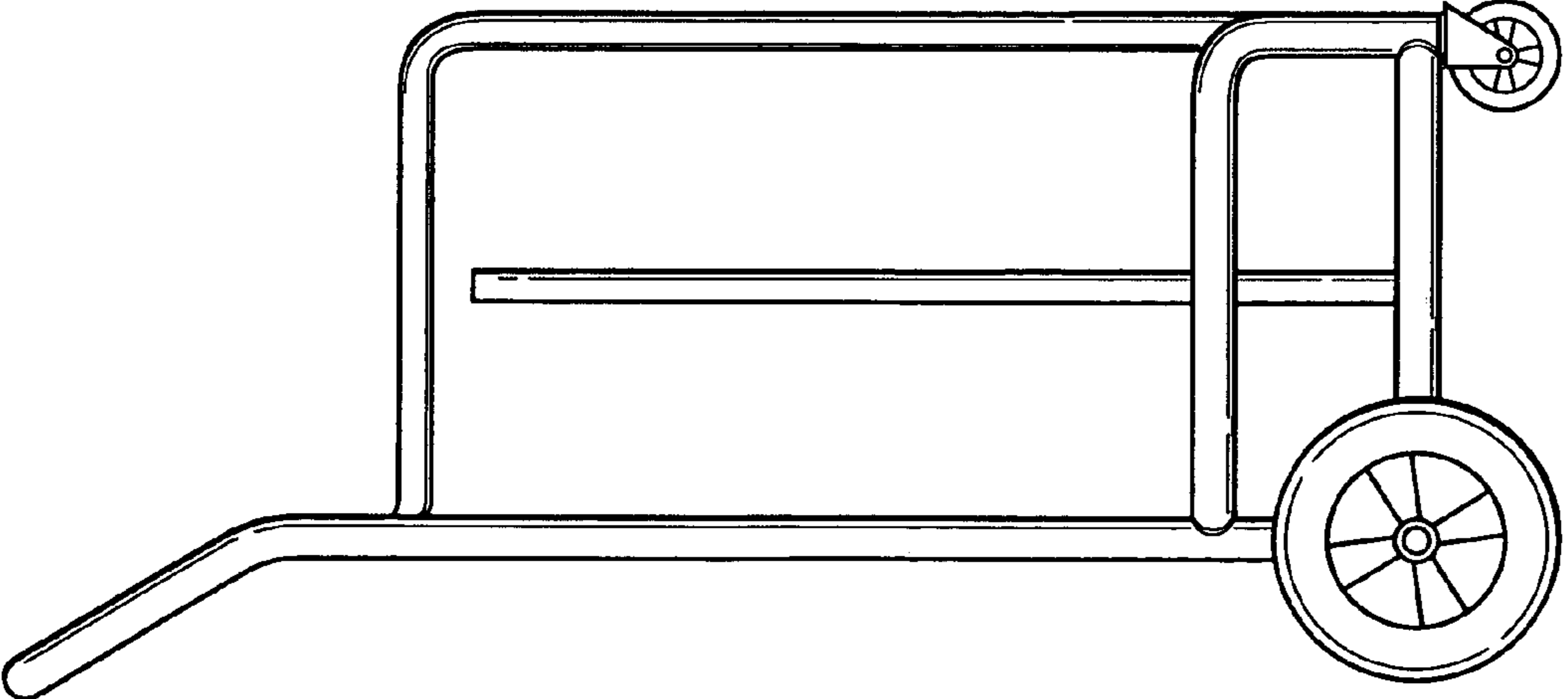


FIG - 3

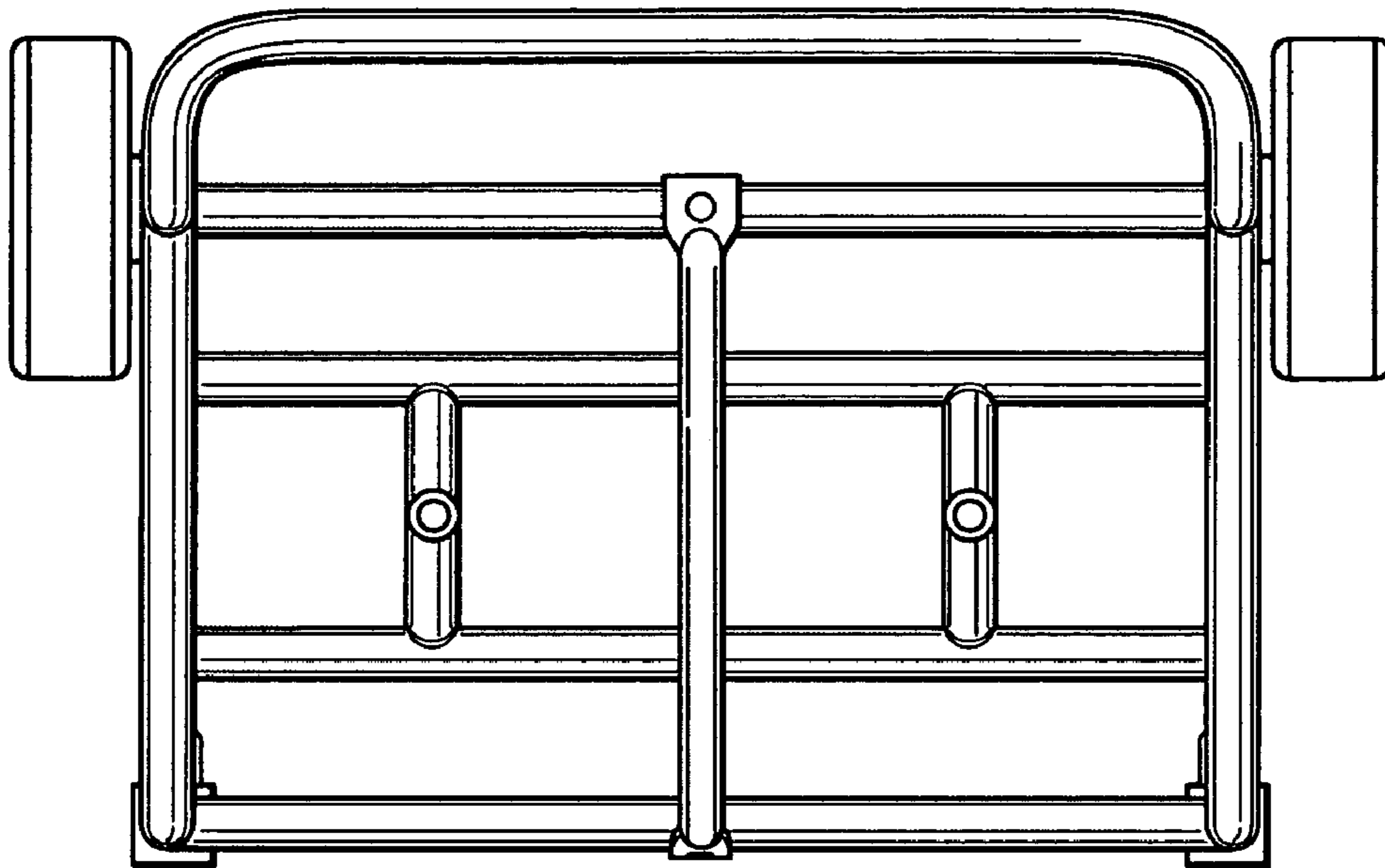


FIG - 5

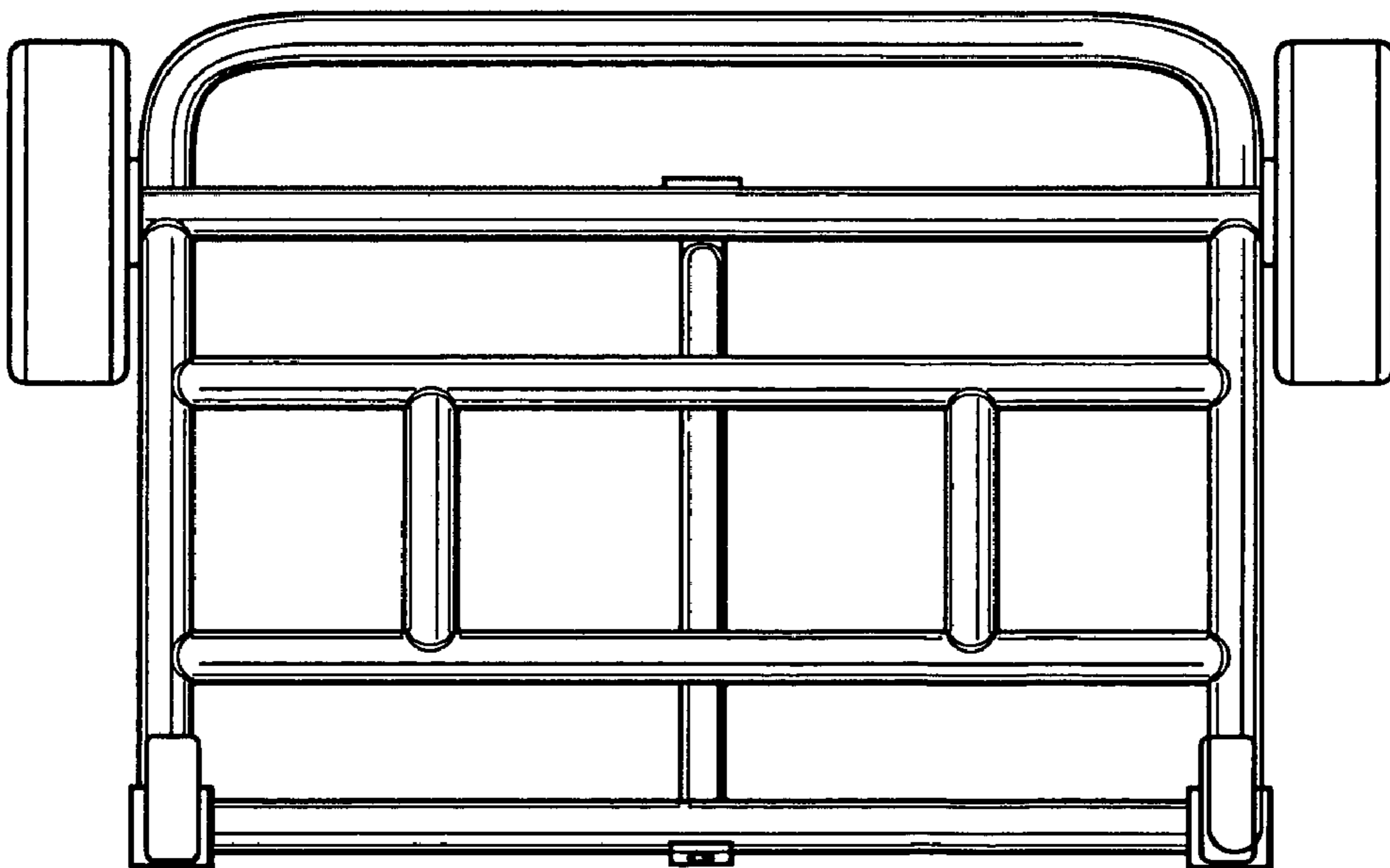


FIG - 6

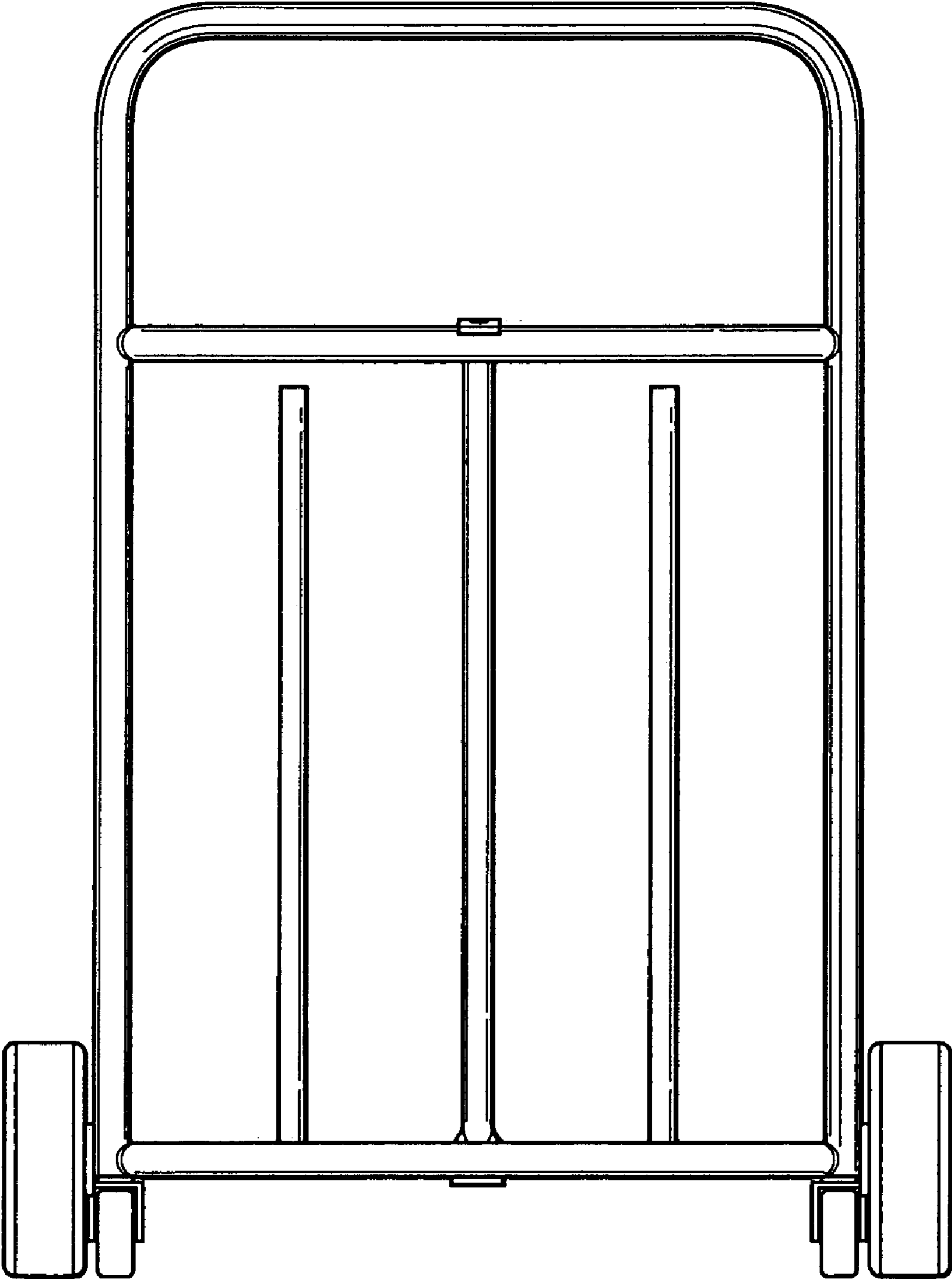


FIG - 7