



US00D578269S

(12) **United States Design Patent**
Van Landingham, Jr.

(10) **Patent No.:** **US D578,269 S**
(45) **Date of Patent:** **** Oct. 7, 2008**

(54) **MAINTENANCE CART**

(75) **Inventor:** **Reneau Van Landingham, Jr.**, Stephens City, VA (US)

(73) **Assignee:** **Rubbermaid Commercial Products LLC**, Winchester, VA (US)

(**) **Term:** **14 Years**

(21) **Appl. No.:** **29/296,132**

(22) **Filed:** **Oct. 15, 2007**

(51) **LOC (8) Cl.** **12-02**

(52) **U.S. Cl.** **D34/17**

(58) **Field of Classification Search** D34/12-27;
280/47.35, 47.34, 79.11, 79.2, 79.3, 47.24
See application file for complete search history.

(56) **References Cited**

U.S. PATENT DOCUMENTS

1,854,777	A *	4/1932	Bales	211/126.15
D363,590	S *	10/1995	Kazmerchek et al.	D34/21
D493,019	S *	7/2004	Lovegrove et al.	D34/17
D554,323	S *	10/2007	Roth	D34/12
D555,870	S *	11/2007	Zorzo	D34/14
D555,871	S *	11/2007	Pong	D34/17
2004/0227315	A1 *	11/2004	Van Landingham, Jr.	..	280/47.35
2005/0046133	A1 *	3/2005	Braucke et al.	280/47.35

* cited by examiner

Primary Examiner—Cynthia E Ramirez
(74) *Attorney, Agent, or Firm*—Foley & Lardner, LLP

(57) **CLAIM**

I claim the ornamental design for a maintenance cart, as shown and described.

DESCRIPTION

FIG. 1 is a top frontal perspective view of a maintenance cart according to my new design;

FIG. 2 is a front view of the maintenance cart shown in FIG. 1;

FIG. 3 is a back view of the maintenance cart shown in FIG. 1;

FIG. 4 is a right side view of the maintenance cart shown in FIG. 1;

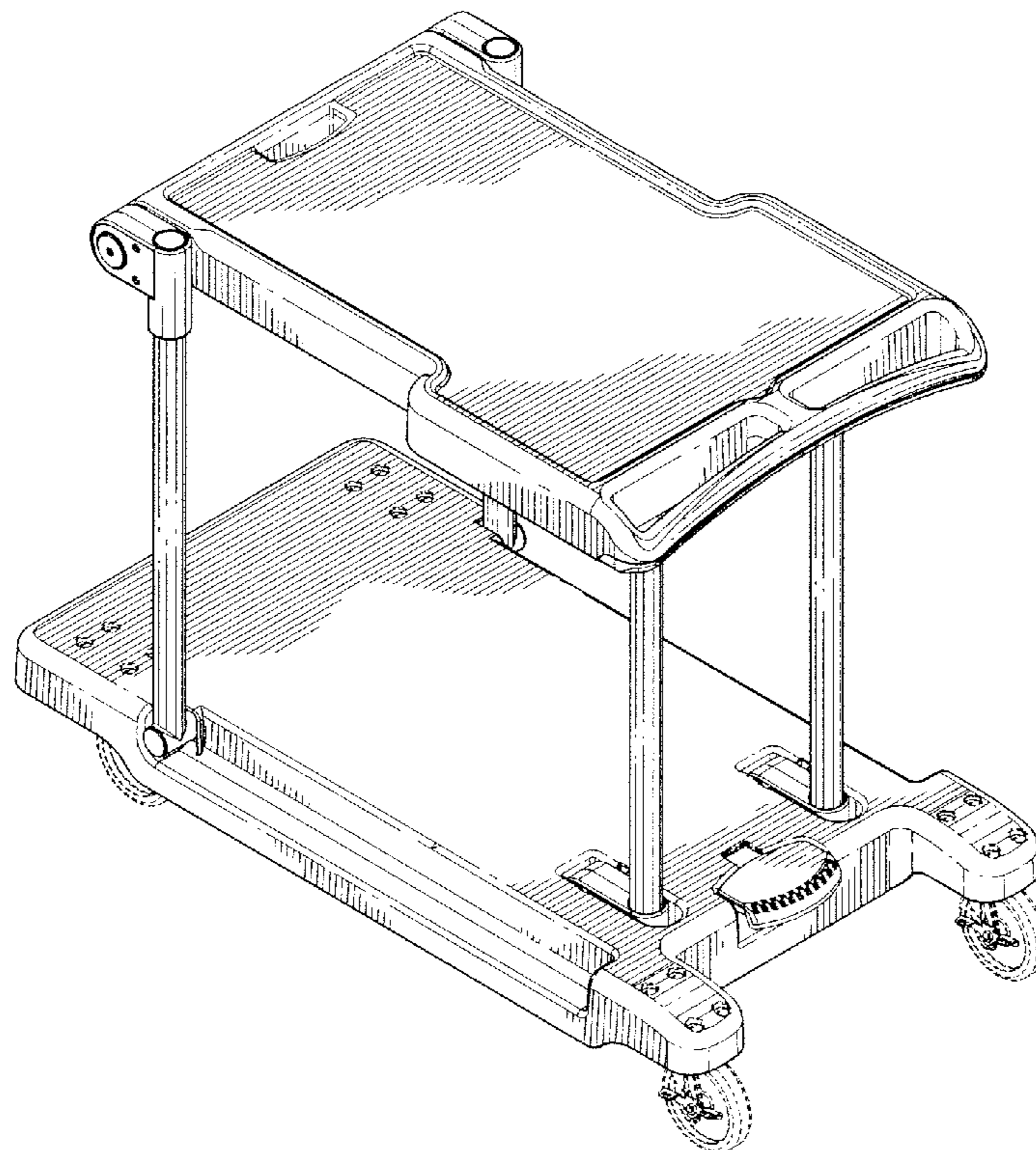
FIG. 5 is a left side view of the maintenance cart shown in FIG. 1;

FIG. 6 is a top view of the maintenance cart shown in FIG. 1; and,

FIG. 7 is a bottom view of the maintenance cart shown in FIG. 1.

The ornamental design which is claimed is shown in solid lines in the drawings. The broken lines in the drawings are for illustrative purposes only and form no part of the claimed design.

1 Claim, 7 Drawing Sheets



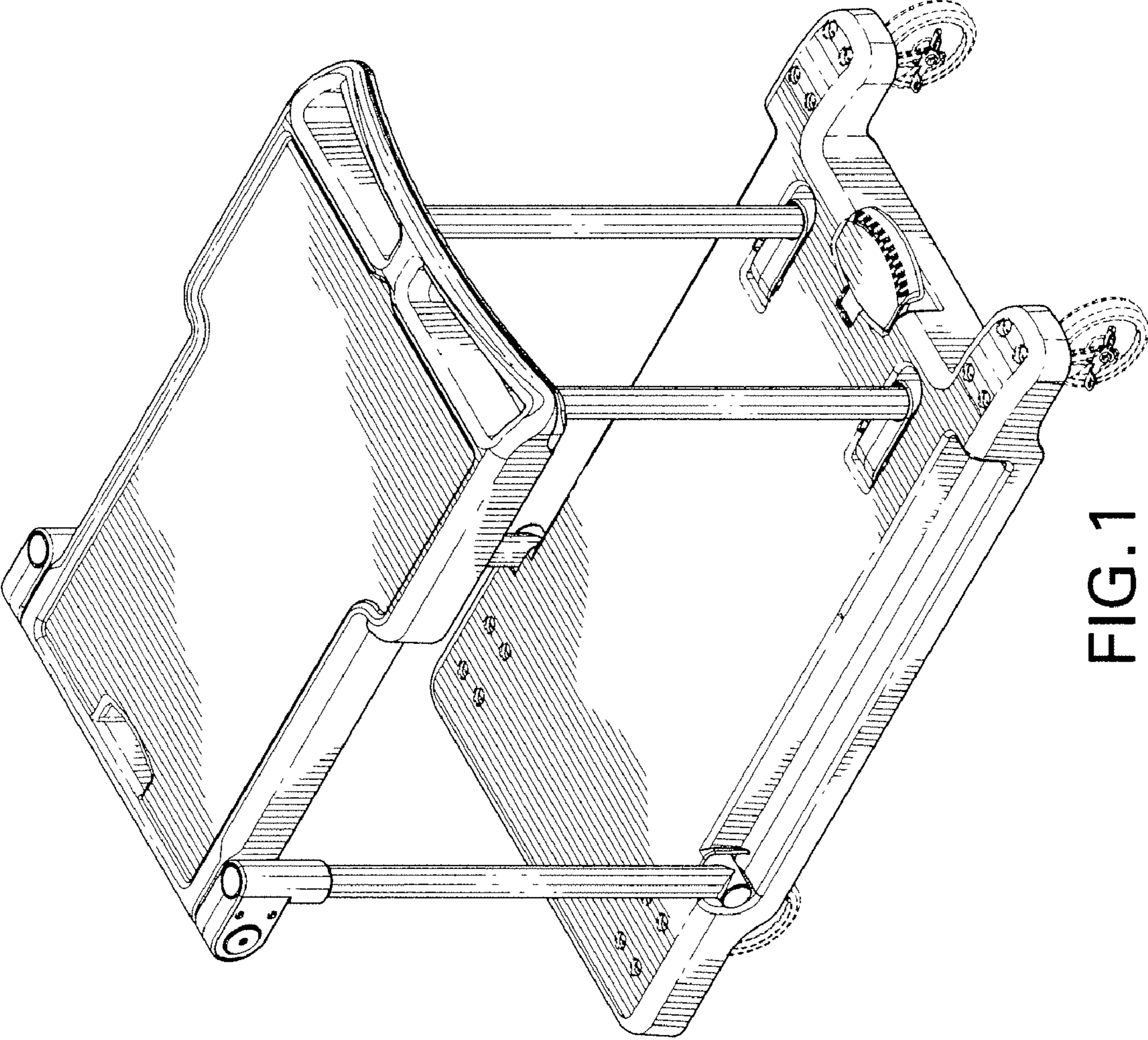


FIG. 1

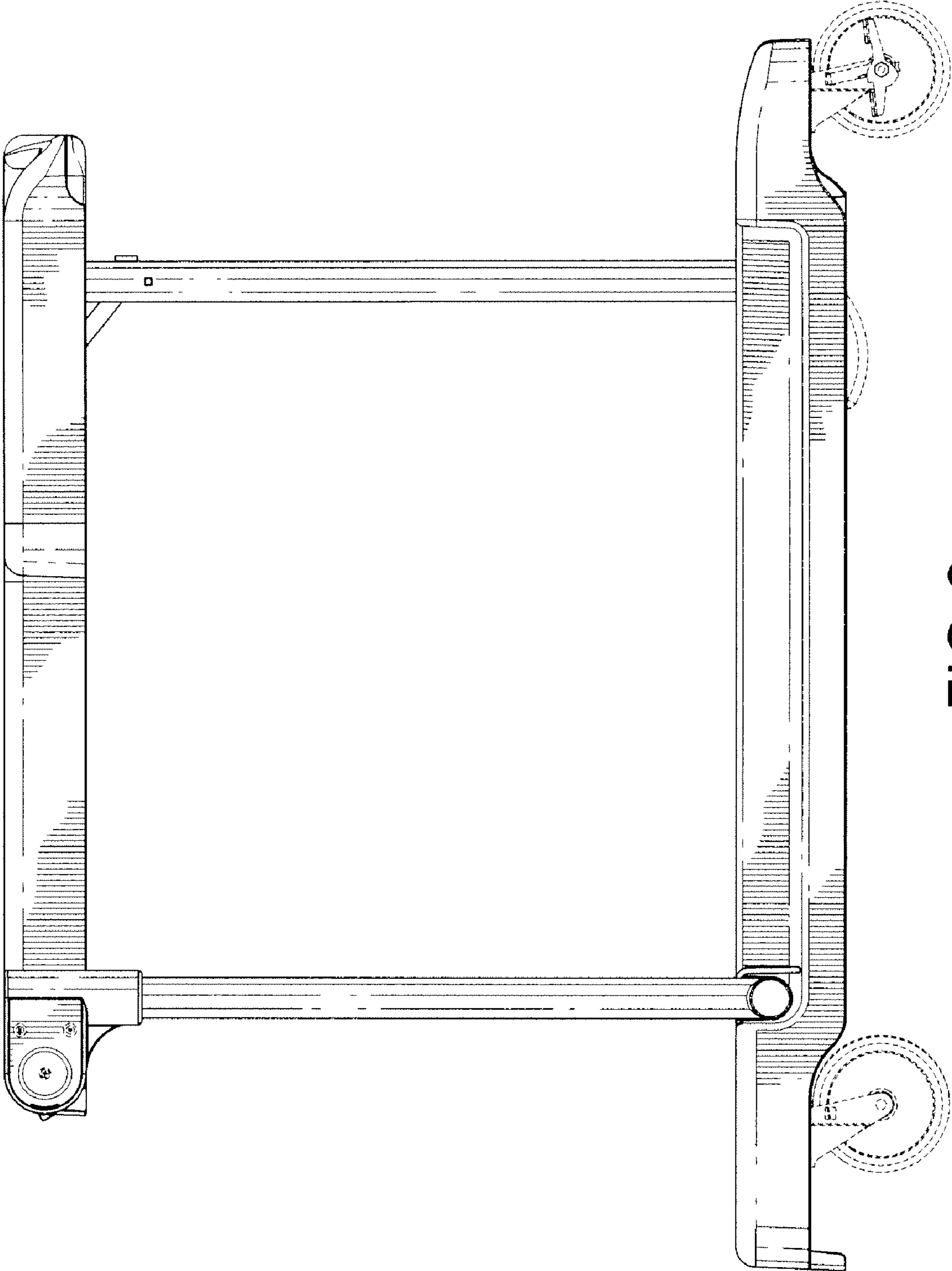


FIG. 2

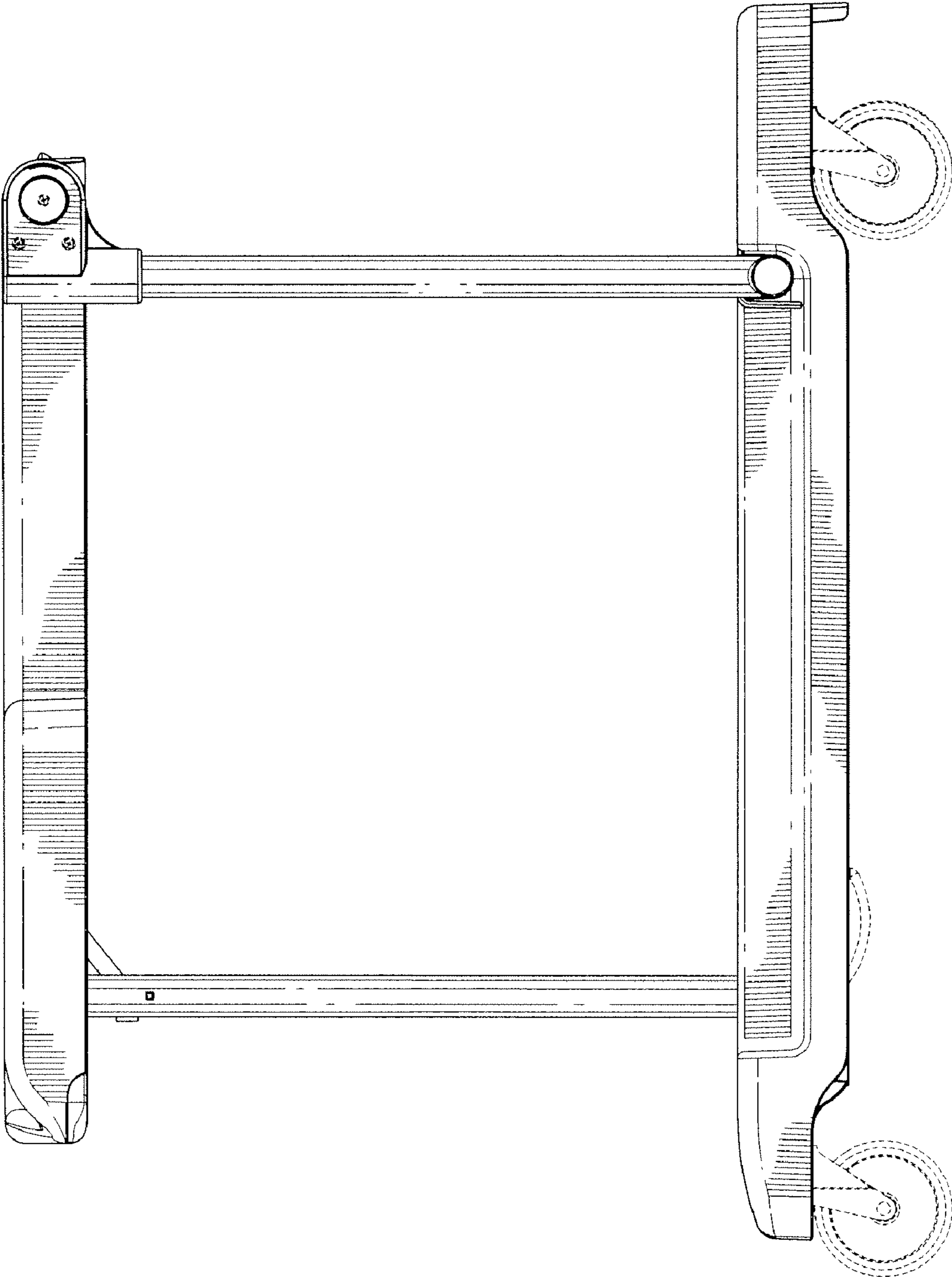


FIG. 3

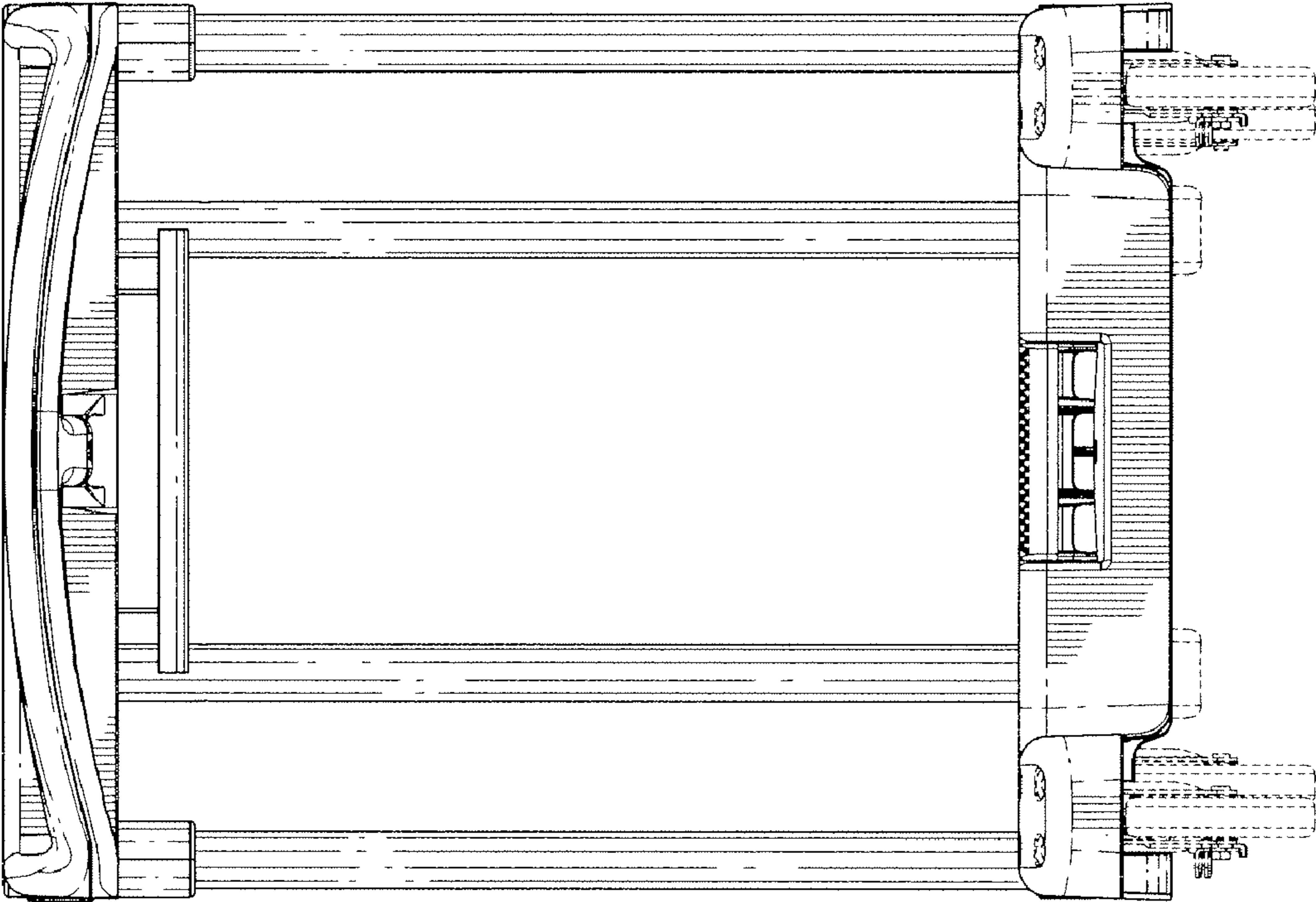


FIG.4

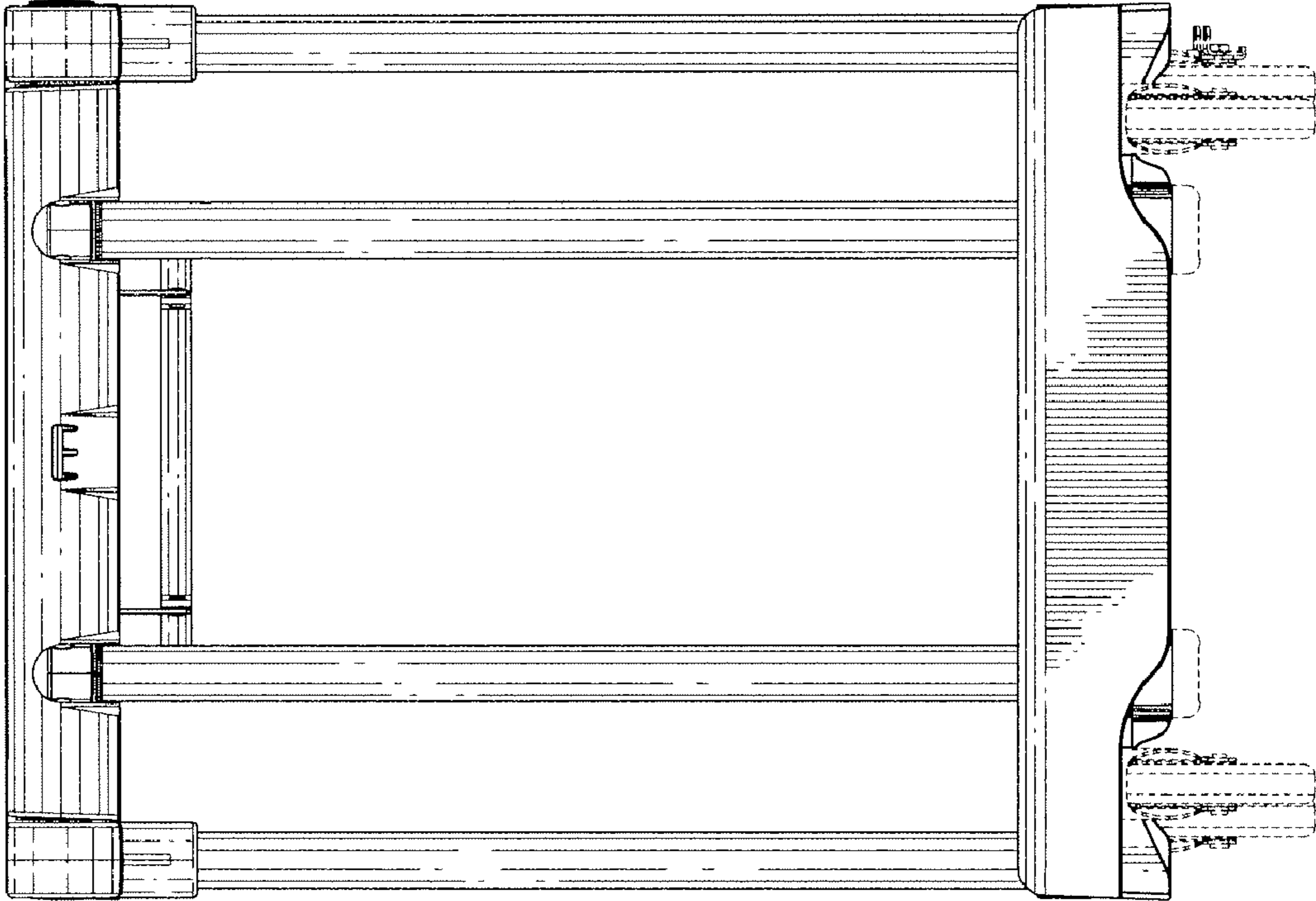


FIG. 5

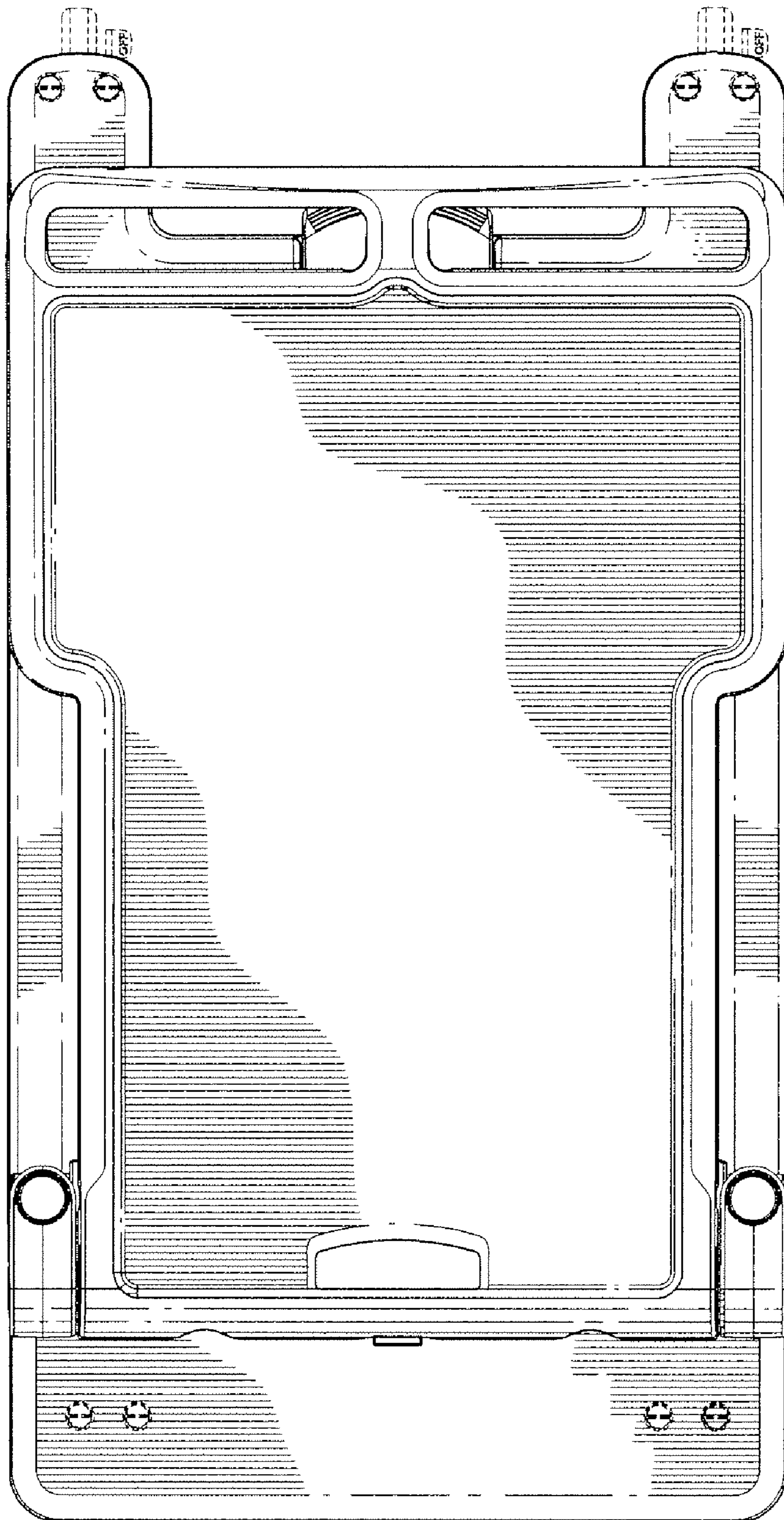


FIG. 6

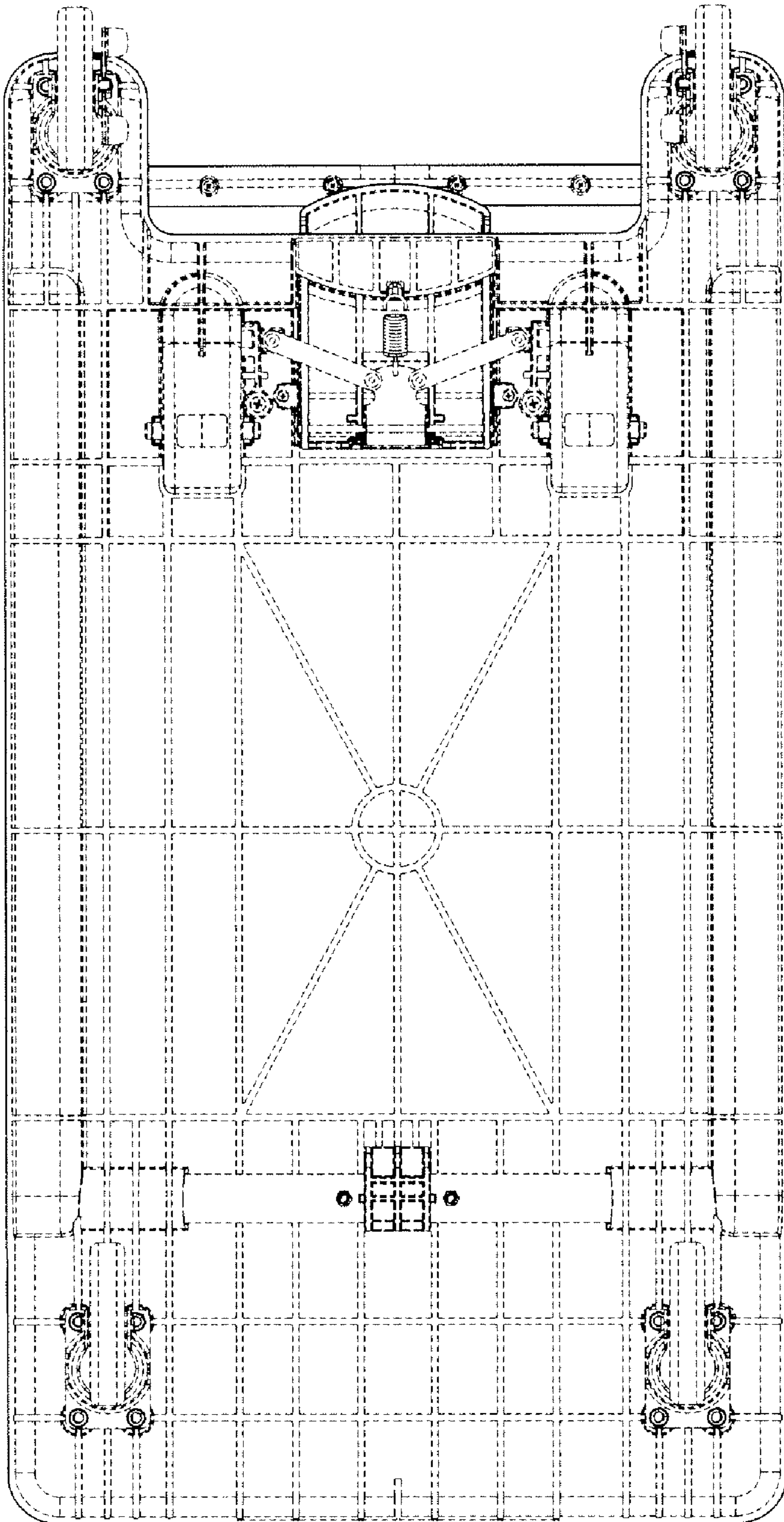


FIG. 7