

US00D578264S

(12) **United States Design Patent**
Lundy et al.

(10) **Patent No.:** **US D578,264 S**
(45) **Date of Patent:** **** Oct. 7, 2008**

(54) **PAINTER'S FINISHING BUCKET**

2004/0206761 A1* 10/2004 Frantz 220/570

(76) Inventors: **Michael J. Lundy**, 2718 W. Onza Cir.,
Mesa, AZ (US) 85202; **Ronald D. Pike**,
7815 N. 32nd Dr., Phoenix, AZ (US)
85051

* cited by examiner

Primary Examiner—Freda S. Nunn
Assistant Examiner—Kevin K Rudzinski
(74) *Attorney, Agent, or Firm*—Parson & Goltry; Robert A.
Parsons; Michael W. Goltry

(**) Term: **14 Years**

(21) Appl. No.: **29/227,286**

(57) **CLAIM**

(22) Filed: **Apr. 8, 2005**

The ornamental design for a painter's finishing bucket, as shown and described.

(51) **LOC (8) Cl.** **07-07**

(52) **U.S. Cl.** **D32/53.1**

(58) **Field of Classification Search** D32/53.1,
D32/53, 54; 222/570; 220/570, 757, 754,
220/697, 507, 695, 793, 571, 571.1; 15/257.05,
15/257.06; 206/216; D3/276, 304
See application file for complete search history.

DESCRIPTION

FIG. 1 is a top perspective view of a painter's finishing bucket showing my new design;

FIG. 2 is a rotated top perspective view of the painter's finishing bucket of FIG. 1;

FIG. 3 is a bottom perspective view of the painter's finishing bucket showing my new design;

FIG. 4 is a rotated bottom perspective view of the painter's finishing bucket of FIG. 3;

FIG. 5 is a top plan view thereof;

FIG. 6 is a side elevation view thereof;

FIG. 7 is an end elevation view;

FIG. 8 is an opposite side elevation view thereof; and,

FIG. 9 is an opposite end elevation view thereof.

(56) **References Cited**

U.S. PATENT DOCUMENTS

D363,575	S	*	10/1995	Torntore	D32/53.1
5,493,751	A	*	2/1996	Misiukowicz et al.	15/257.06
D381,229	S	*	7/1997	Yemini	D6/525
D435,728	S	*	1/2001	Miles et al.	D3/304
D448,130	S	*	9/2001	Wagner	D32/53.1
D482,830	S	*	11/2003	Kohn	D32/53.1
6,929,225	B1	*	8/2005	Kent	248/213.2
2004/0118861	A1	*	6/2004	Bergman et al.	220/756
2004/0173622	A1	*	9/2004	Fidleton	220/695

1 Claim, 2 Drawing Sheets

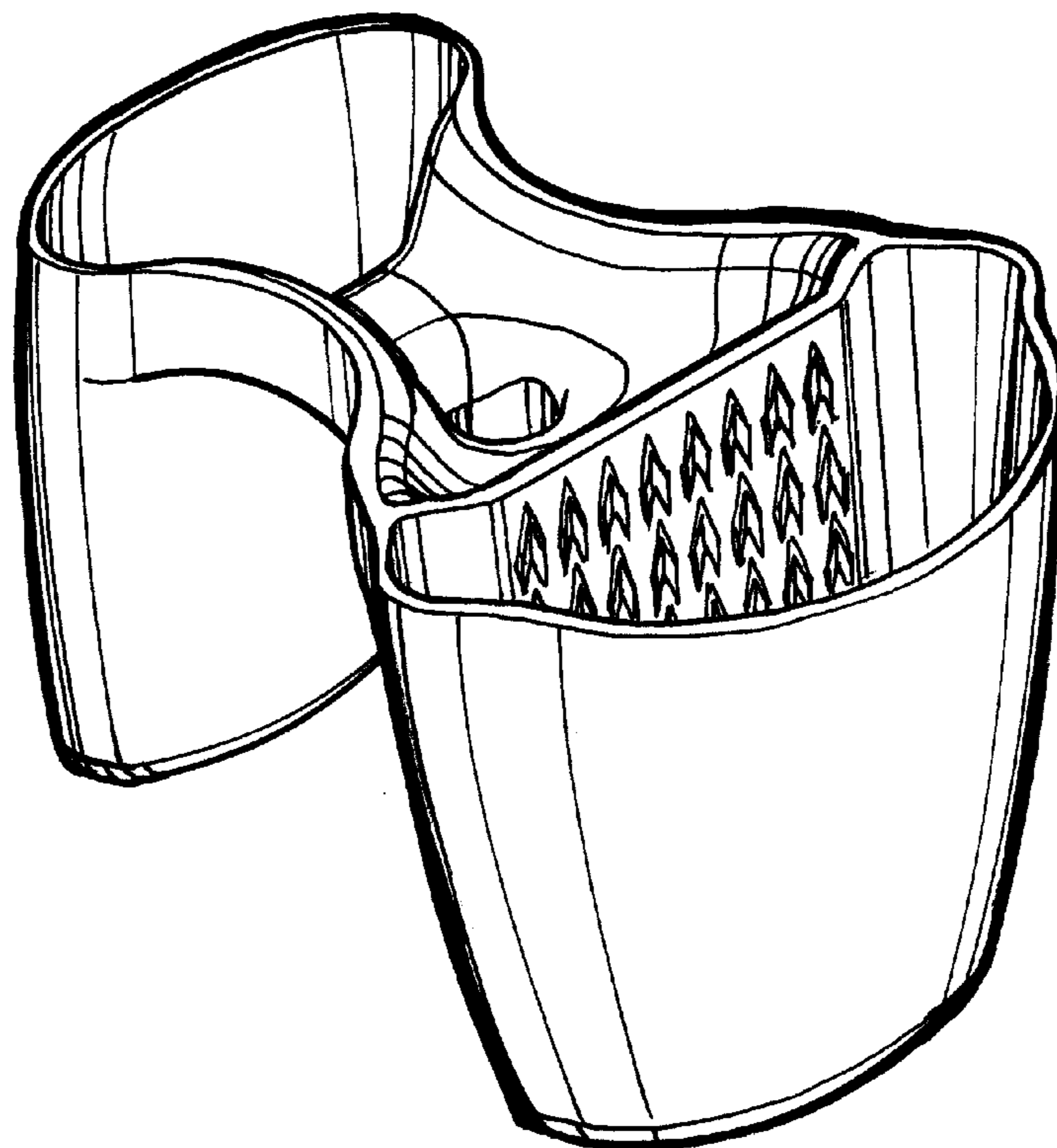


FIG. 2

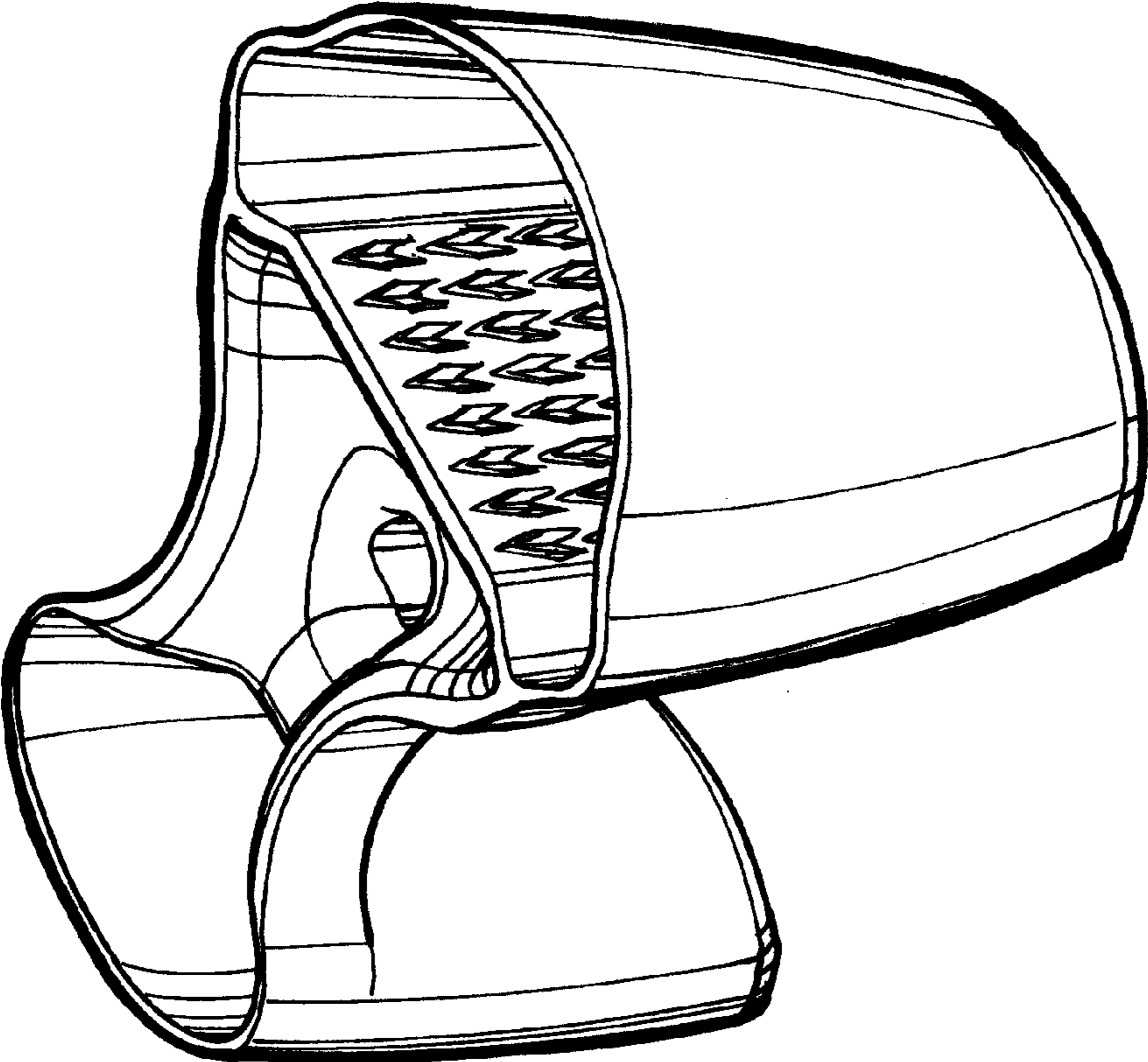
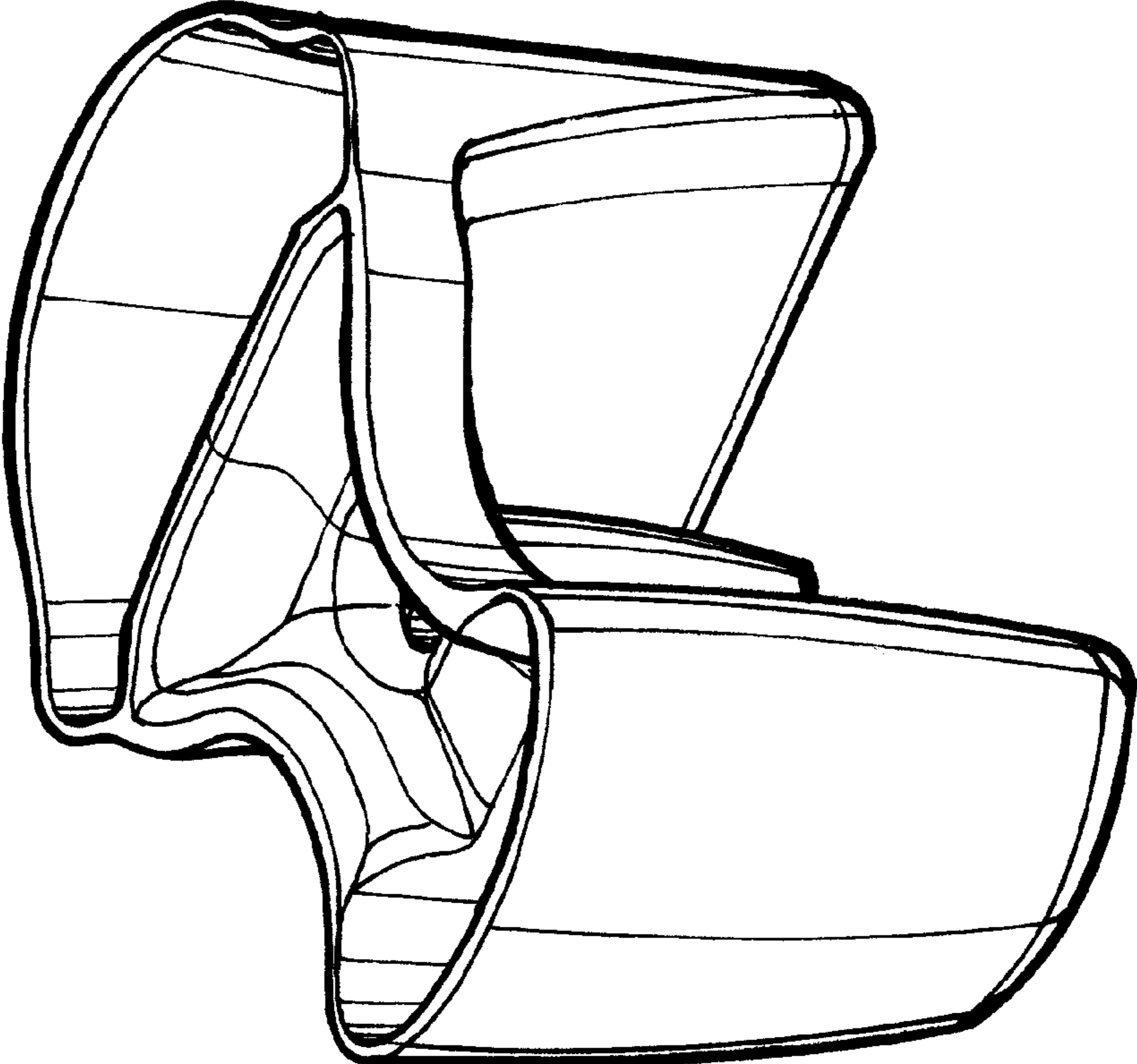


FIG. 1

FIG. 5

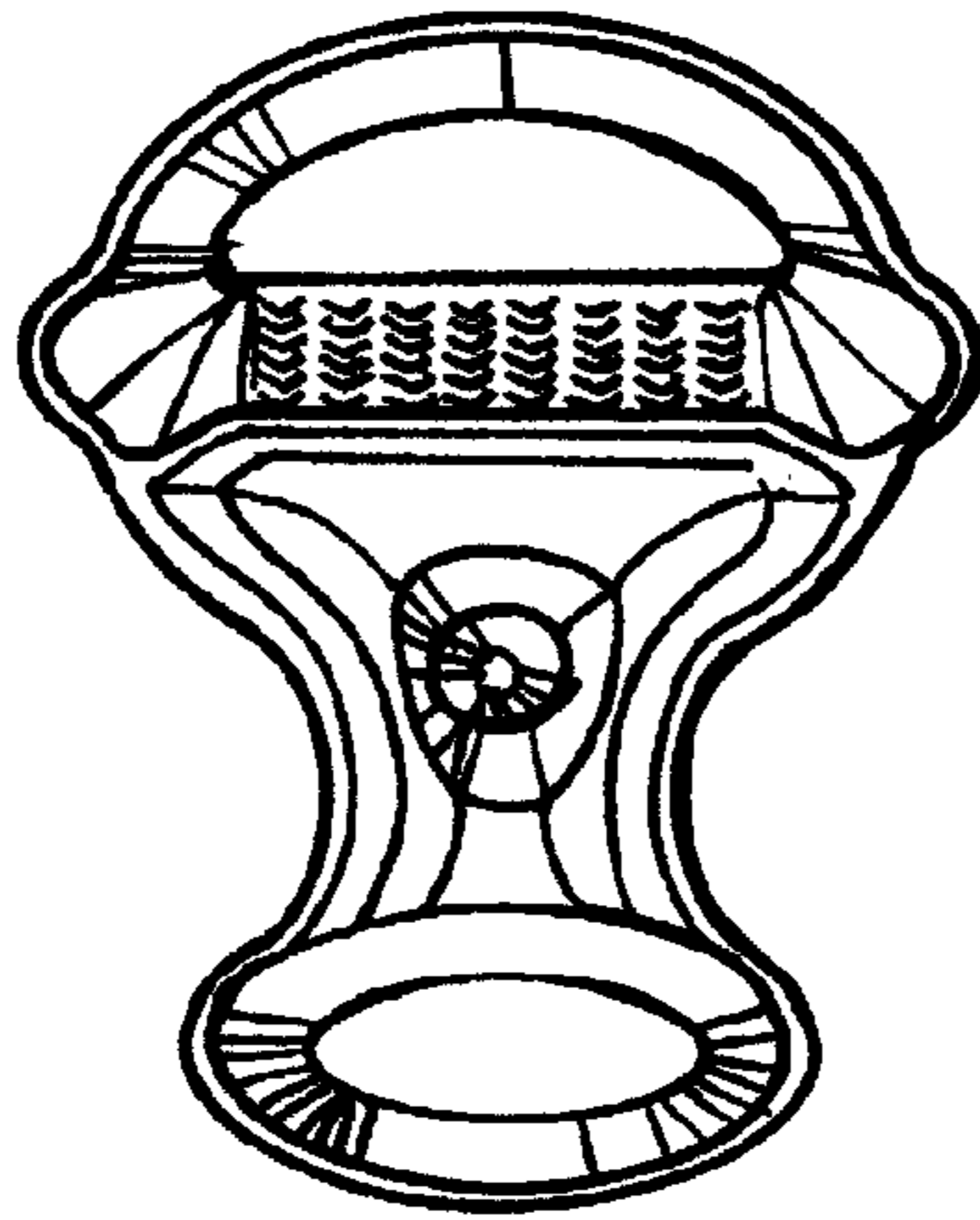


FIG. 3

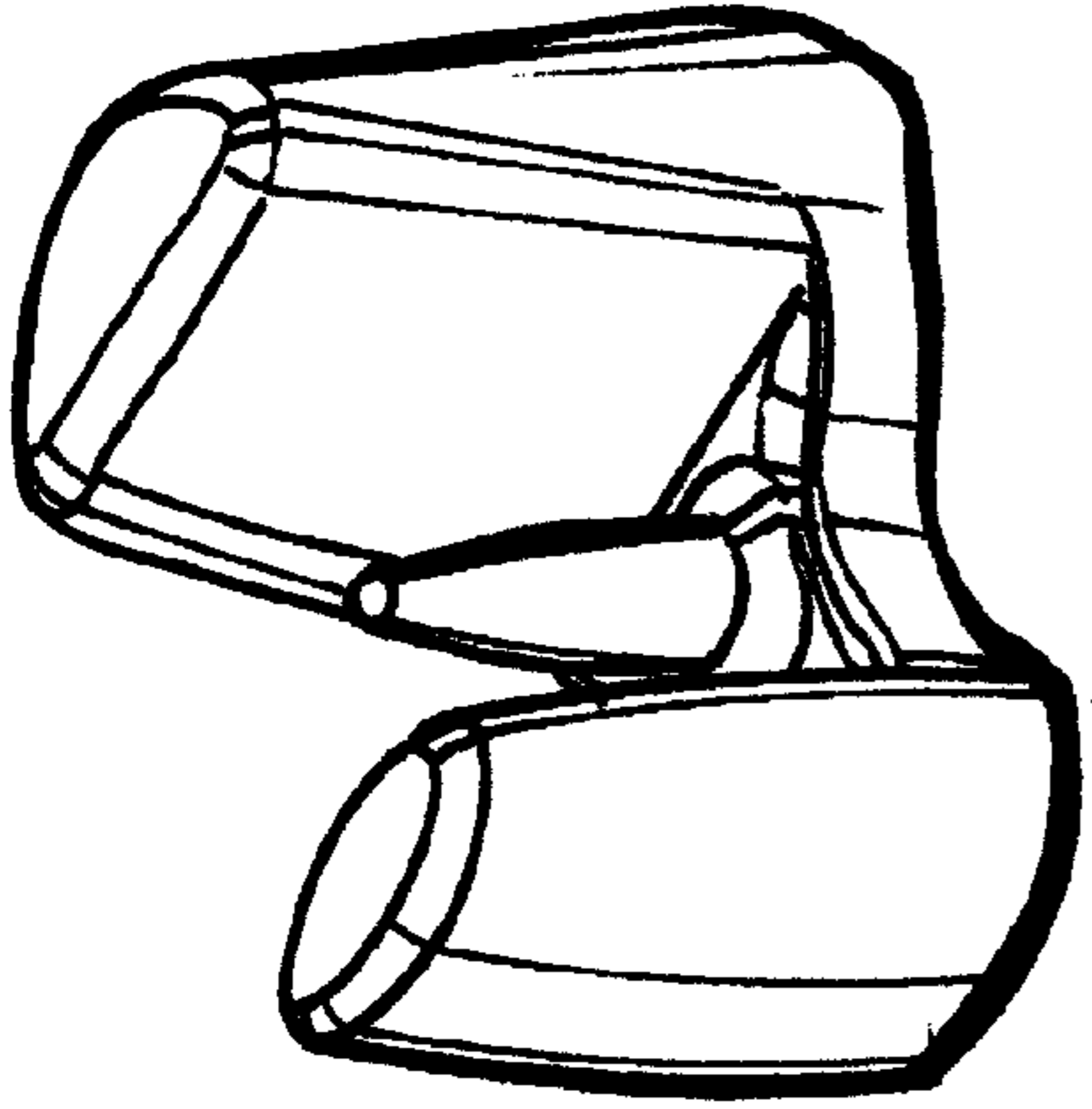


FIG. 4

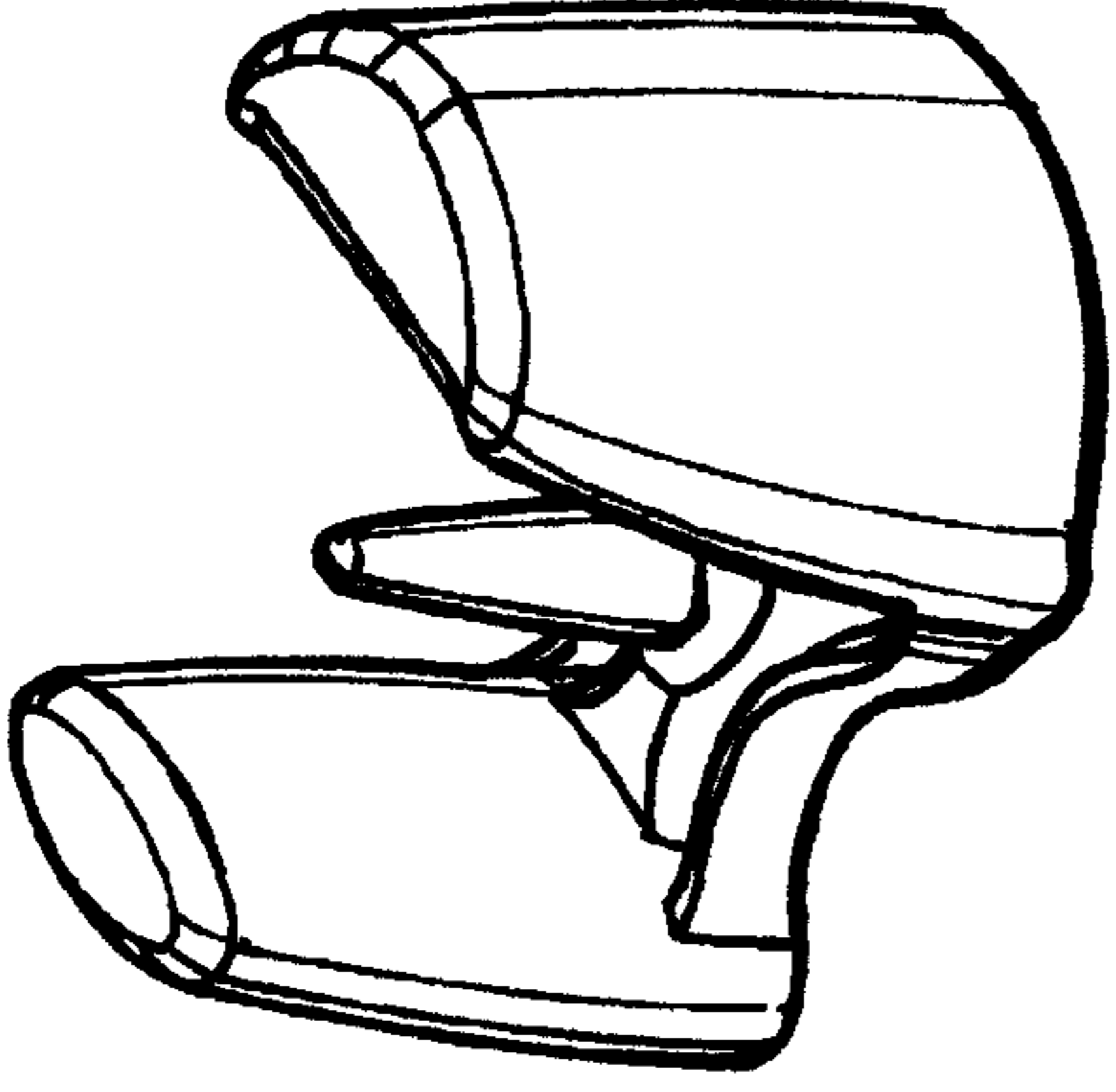


FIG. 6

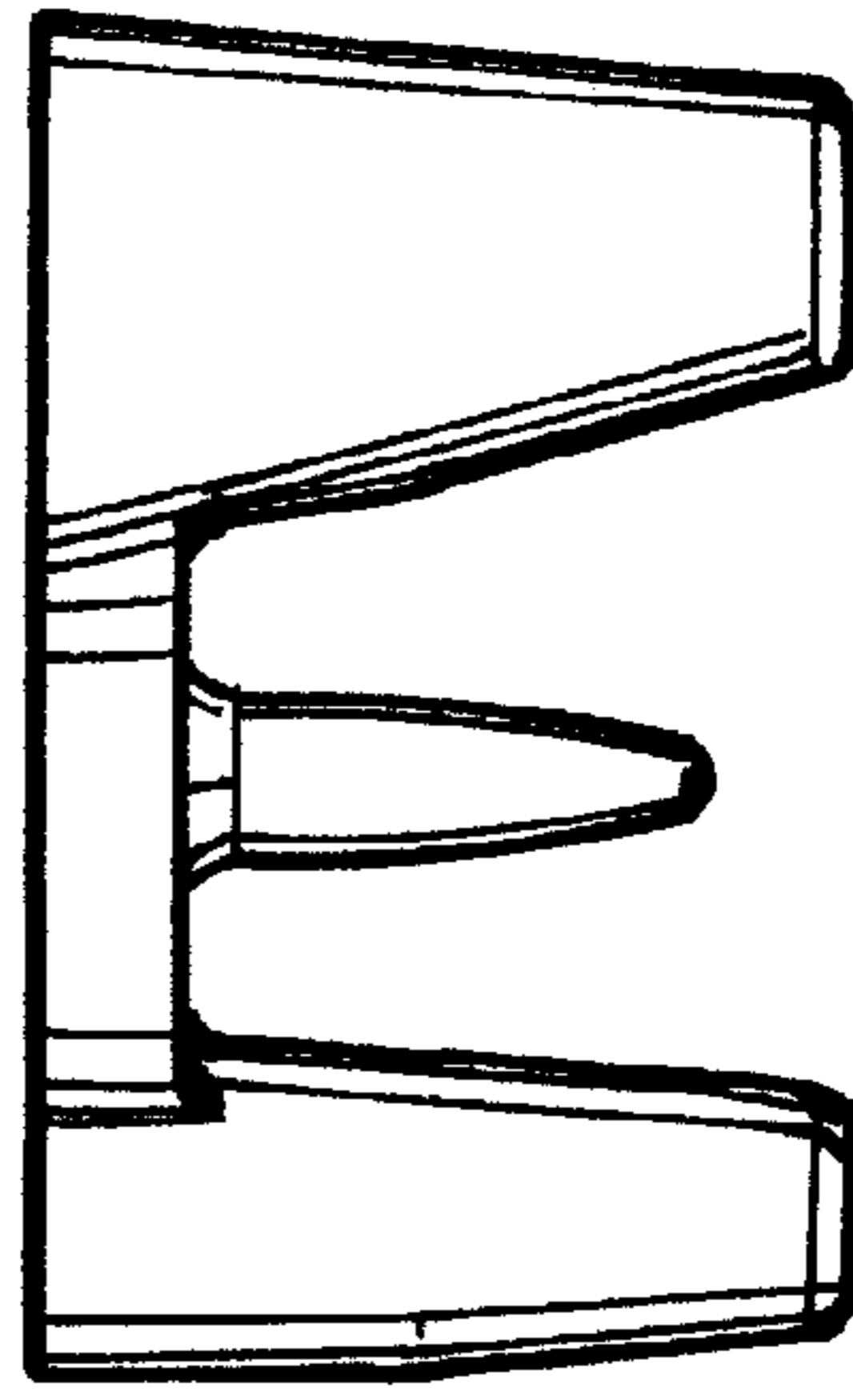


FIG. 7

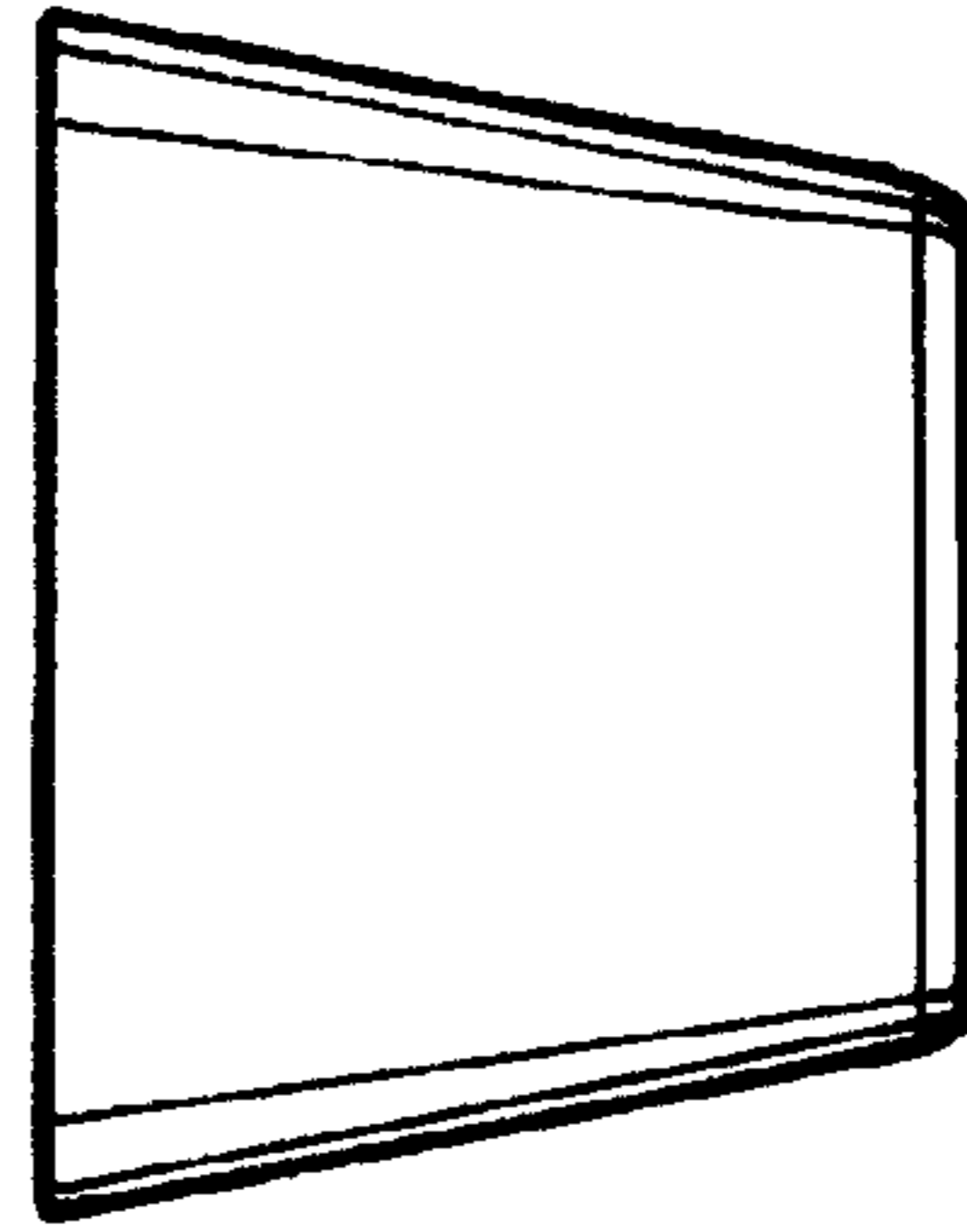


FIG. 8

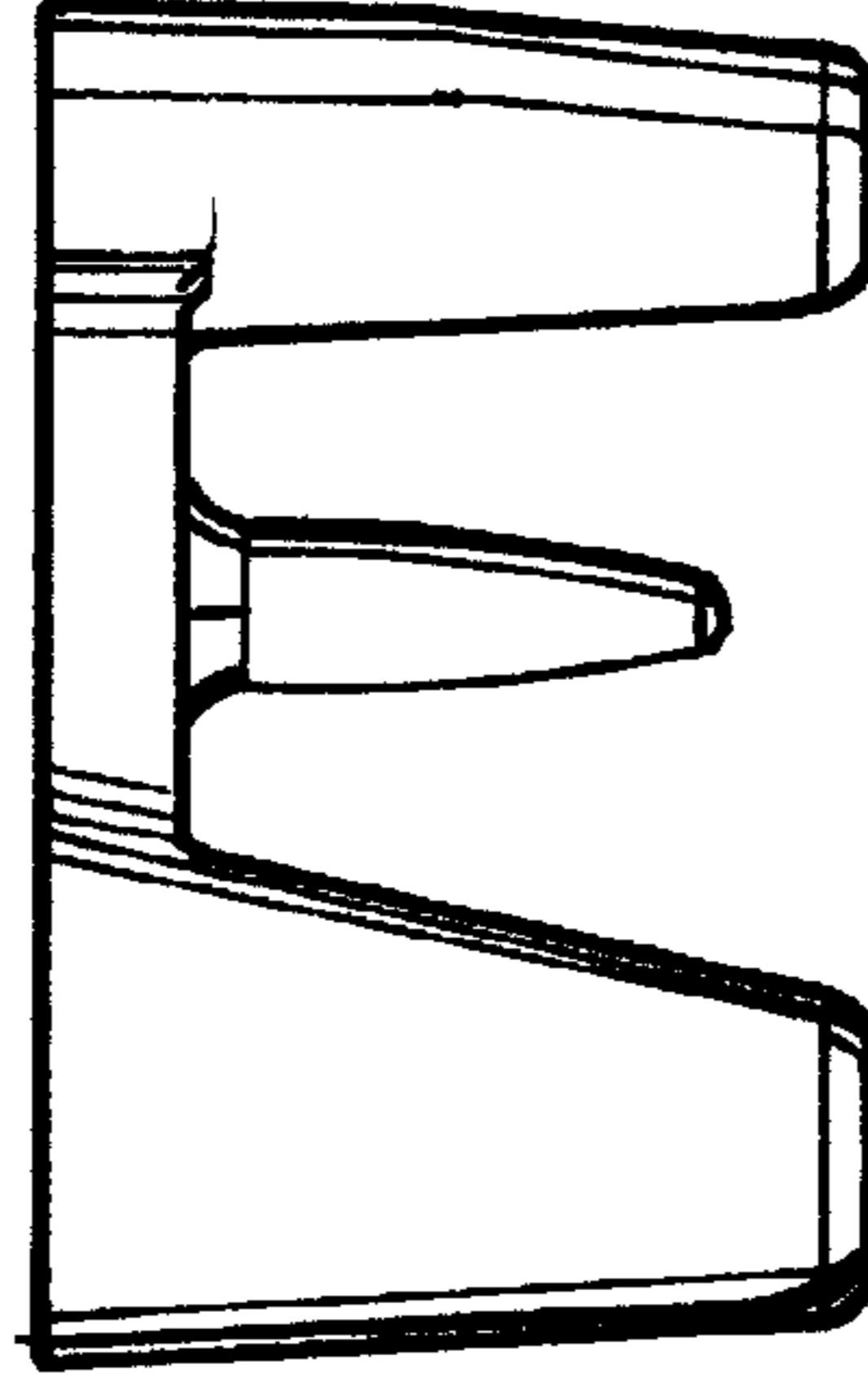


FIG. 9

