



US00D578263S

(12) **United States Design Patent**
Pho

(10) **Patent No.:** **US D578,263 S**
(45) **Date of Patent:** **** Oct. 7, 2008**

(54) **MOP BUCKET AND WRINGER**

DESCRIPTION

(75) **Inventor:** **Ashley Perry Zang Wentz Pho,**
Winchester, VA (US)

(73) **Assignee:** **Rubbermaid Commercial Products**
LLC, Winchester, VA (US)

(**) **Term:** **14 Years**

(21) **Appl. No.:** **29/296,233**

(22) **Filed:** **Oct. 16, 2007**

(51) **LOC (8) Cl.** **07-07**

(52) **U.S. Cl.** **D32/53**

(58) **Field of Classification Search** D32/53,
D32/54, 53.1; 15/260, 262, 264; 220/904,
220/604, 608, 669, 735, 760, 768; 206/514
See application file for complete search history.

(56) **References Cited**

U.S. PATENT DOCUMENTS

D255,976	S	*	7/1980	Maza et al.	D32/54
D362,941	S	*	10/1995	Delmerico et al.	D32/53
5,974,621	A	*	11/1999	Wilen	15/261
5,983,441	A	*	11/1999	Williams et al.	15/261
6,006,397	A	*	12/1999	Williams et al.	15/261
D429,396	S	*	8/2000	Houry et al.	D32/53
6,389,638	B1	*	5/2002	Dickinson et al.	15/261
6,671,923	B2	*	1/2004	Gromnicki	15/261

* cited by examiner

Primary Examiner—Pamela J Burgess

(74) *Attorney, Agent, or Firm*—Foley & Lardner, LLP

(57) **CLAIM**

The ornamental design for a mop bucket and wringer, as shown and described.

FIG. 1 is a top frontal perspective view of a mop bucket and wringer according to our new design;

FIG. 2 is a front view of the mop bucket and wringer shown in FIG. 1;

FIG. 3 is a back view of the mop bucket and wringer shown in FIG. 1;

FIG. 4 is a left side view of the mop bucket and wringer shown in FIG. 1;

FIG. 5 is a right side view of the mop bucket and wringer shown in FIG. 1;

FIG. 6 is a top view of the mop bucket and wringer shown in FIG. 1;

FIG. 7 is a bottom view of the mop bucket and wringer shown in FIG. 1;

FIG. 8 is a top frontal perspective view of another mop bucket and wringer according to our new design;

FIG. 9 is a front view of the mop bucket and wringer shown in FIG. 8;

FIG. 10 is a back view of the mop bucket and wringer shown in FIG. 8;

FIG. 11 is a left side view of the mop bucket and wringer shown in FIG. 8;

FIG. 12 is a right side view of the mop bucket and wringer shown in FIG. 8;

FIG. 13 is a top view of the mop bucket and wringer shown in FIG. 8; and,

FIG. 14 is a bottom view of the mop bucket and wringer shown in FIG. 8.

The ornamental design which is claimed is shown in solid lines in the drawings. The broken lines in the drawings are for illustrative purposes only and form no part of the claimed design.

1 Claim, 12 Drawing Sheets

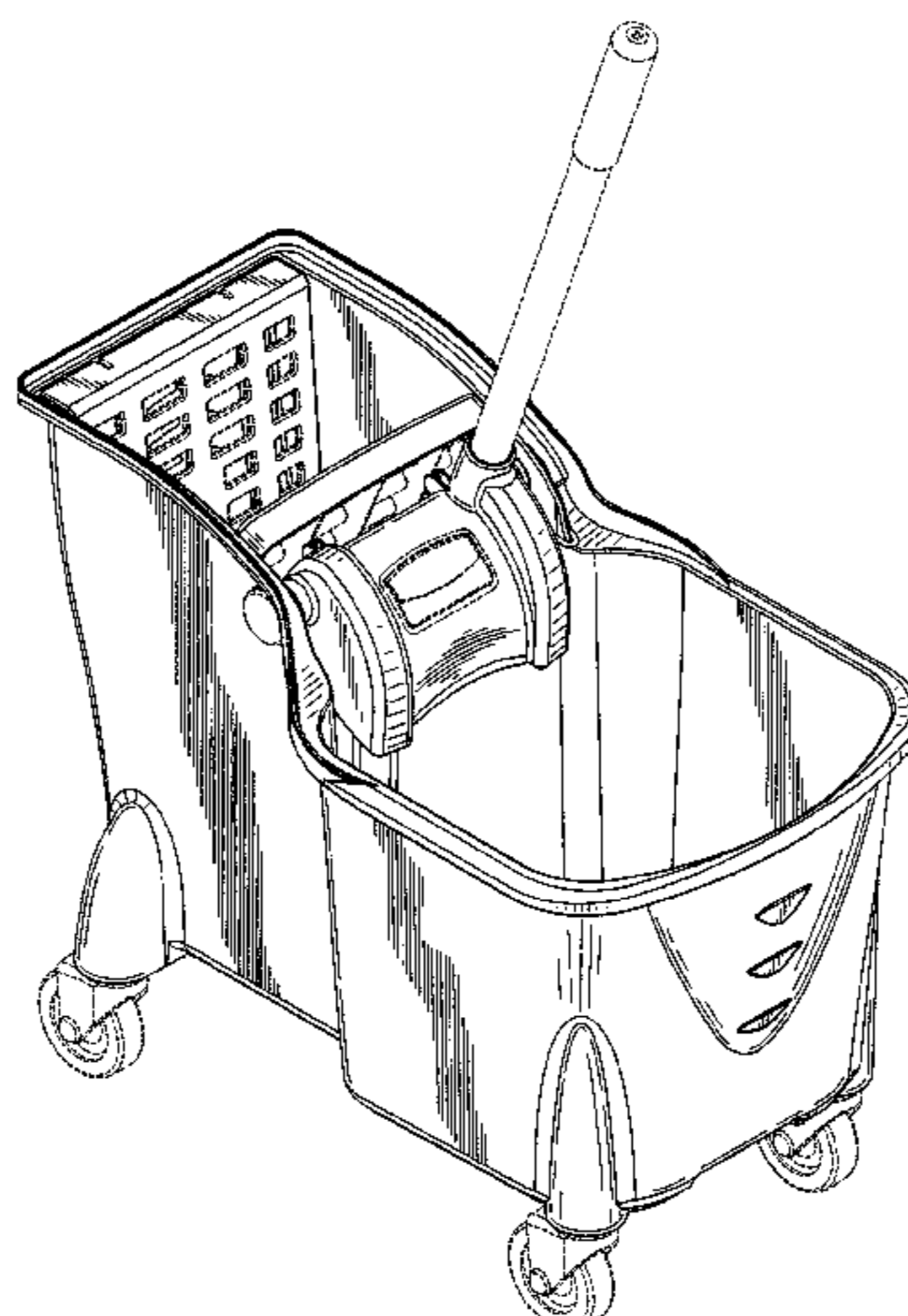


Fig. 1

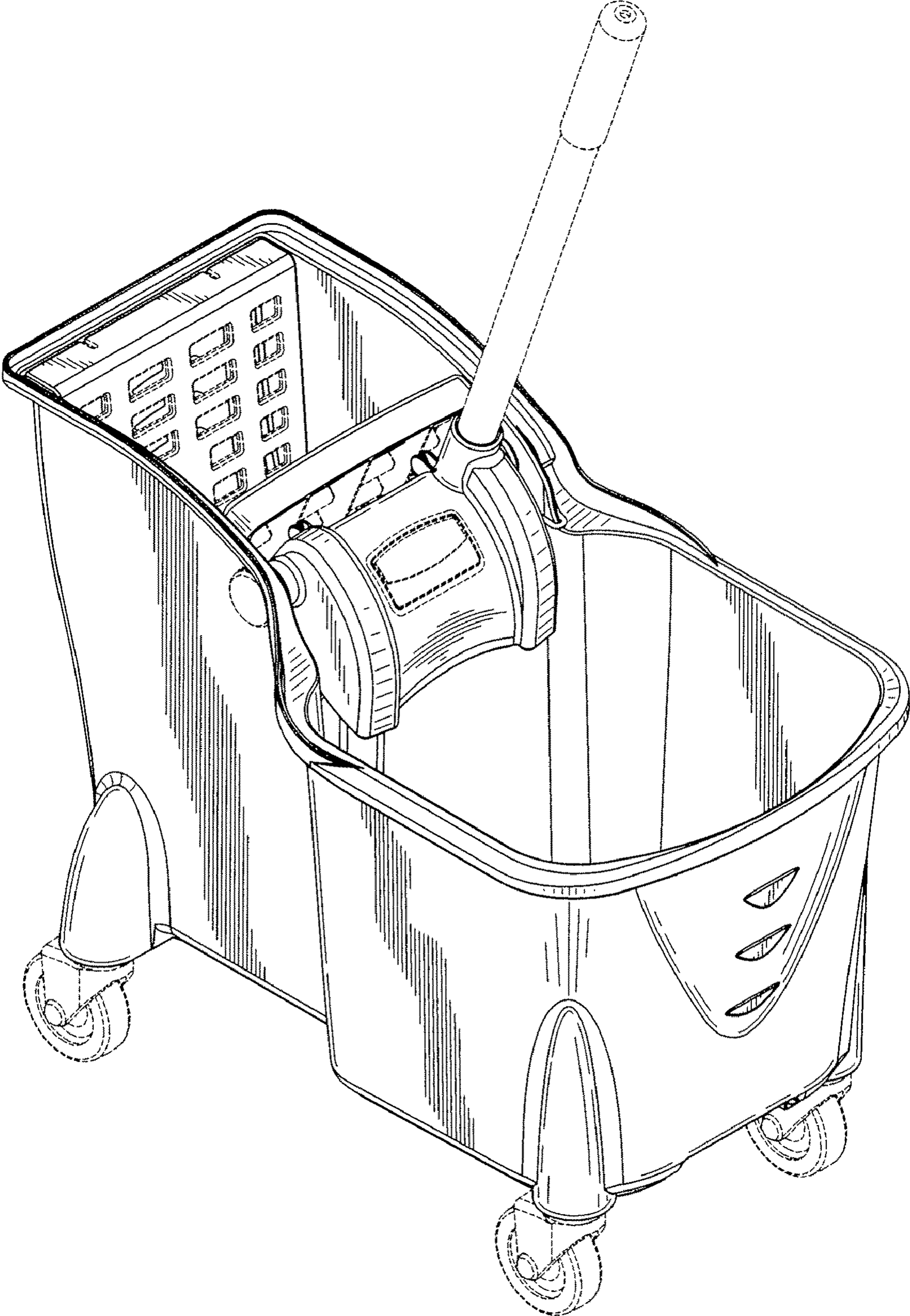


Fig. 2

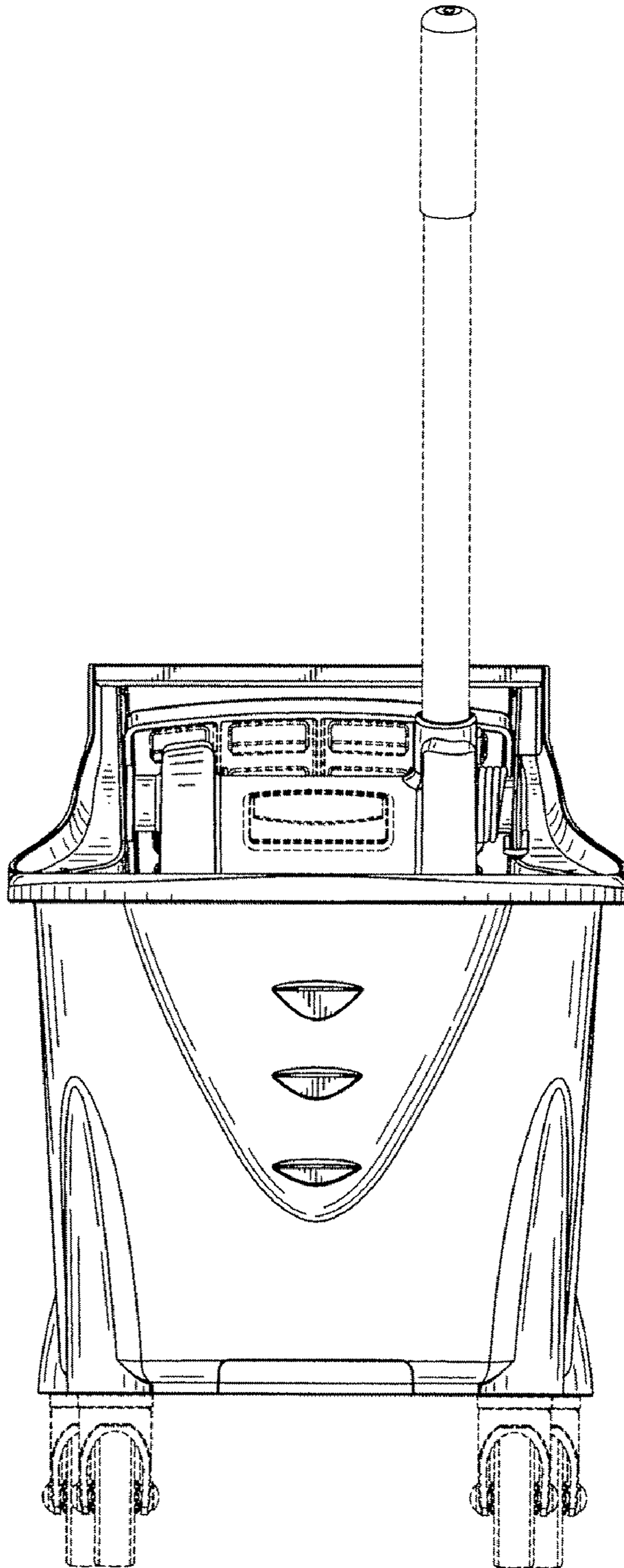


Fig. 3

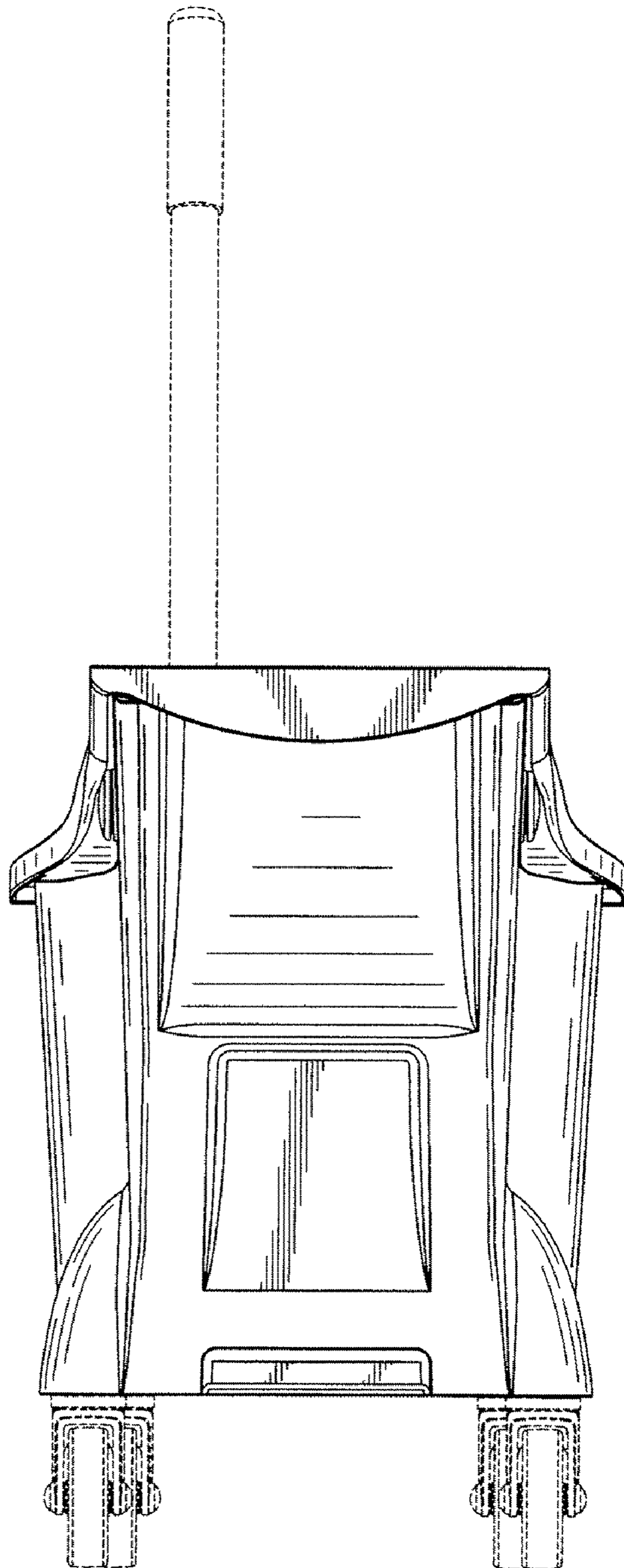


Fig. 4

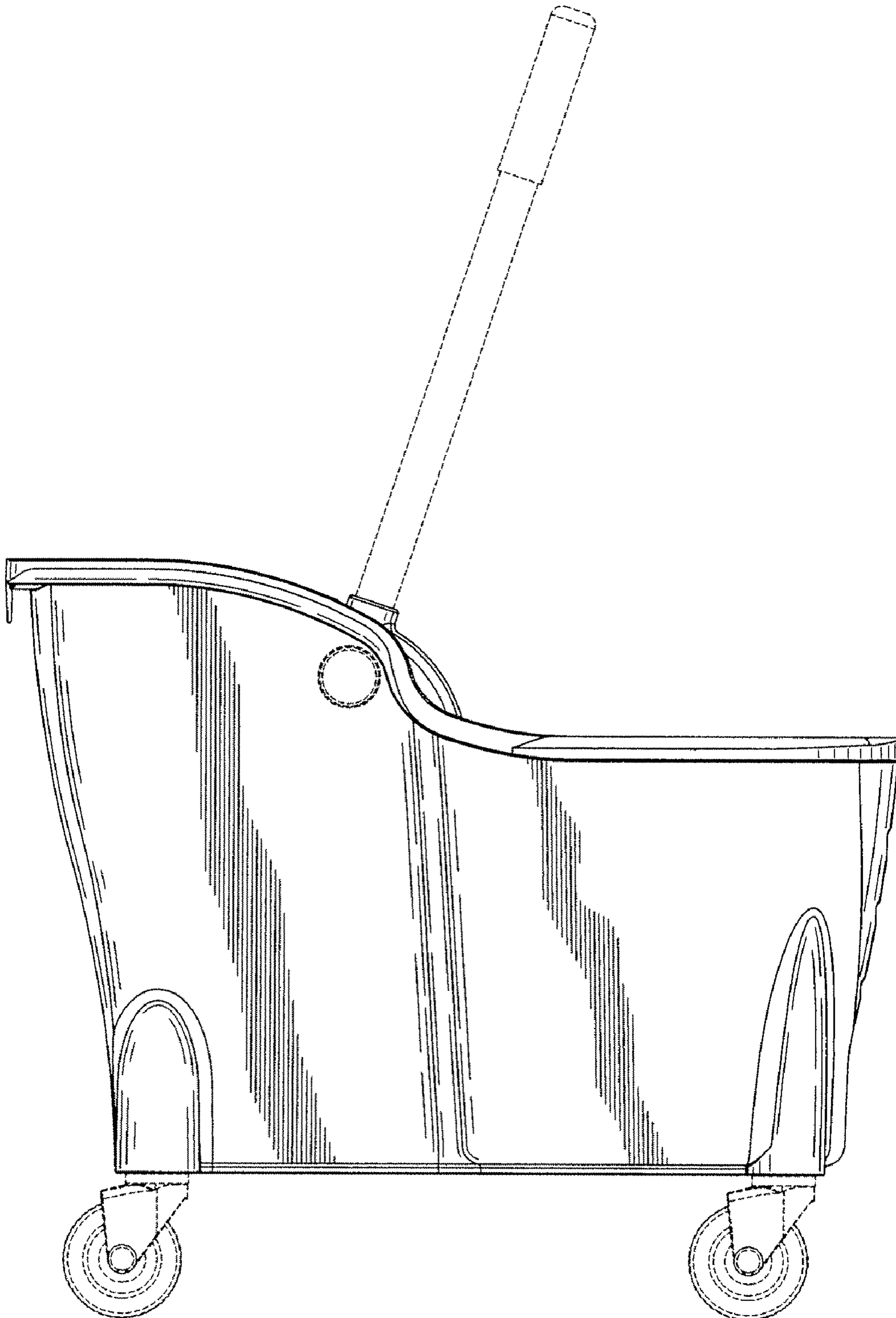


Fig. 5

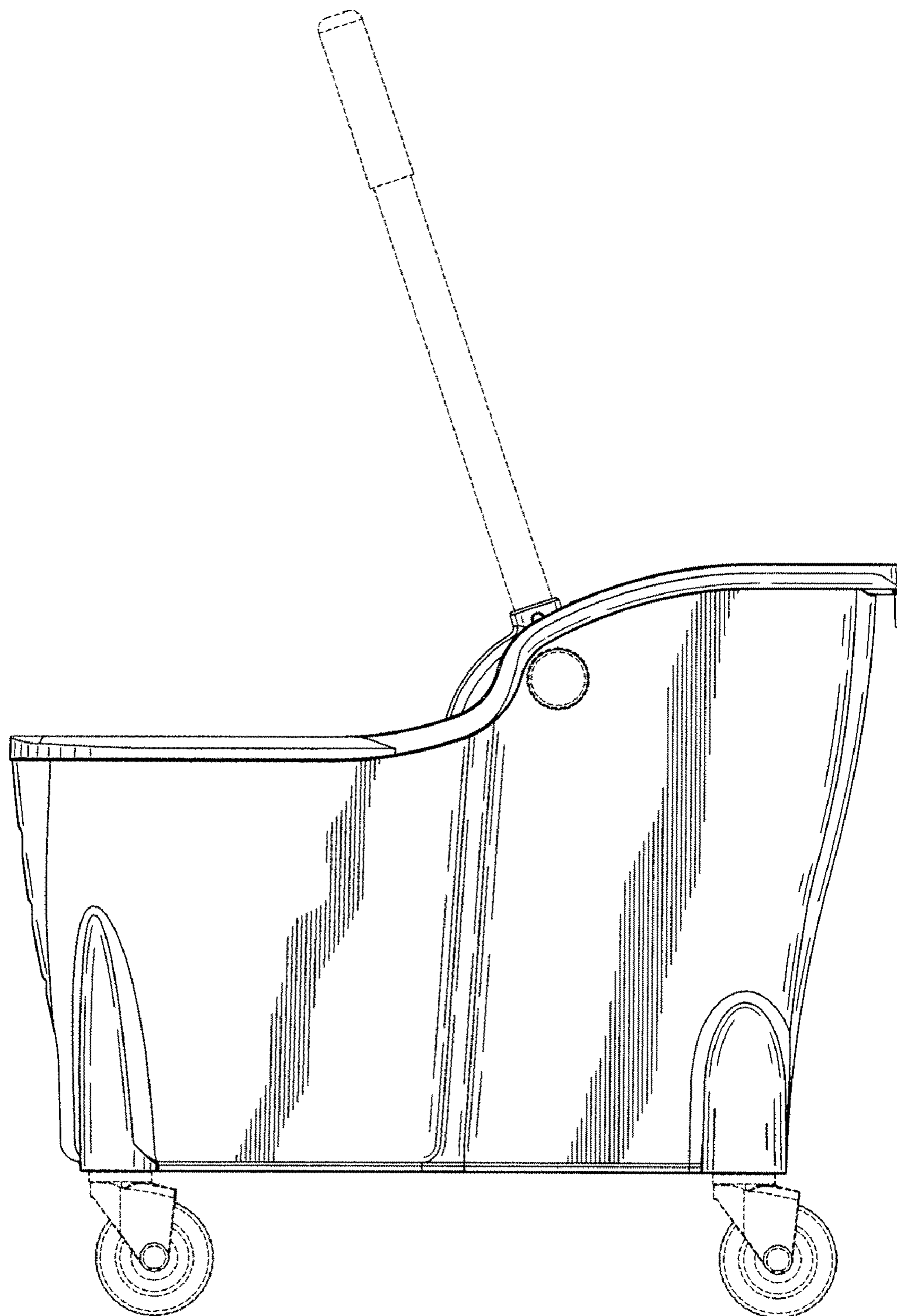


Fig. 6

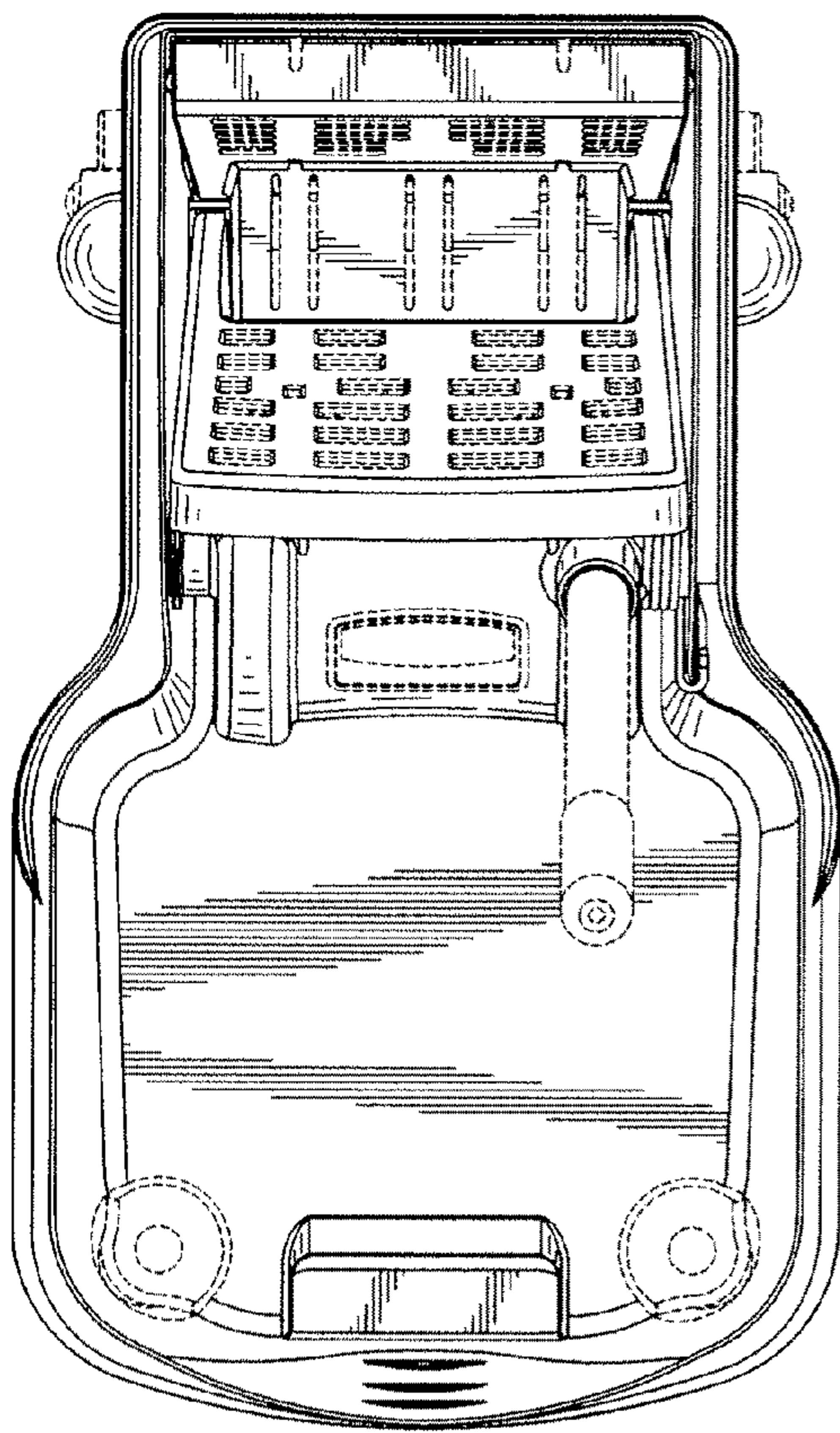


Fig. 7

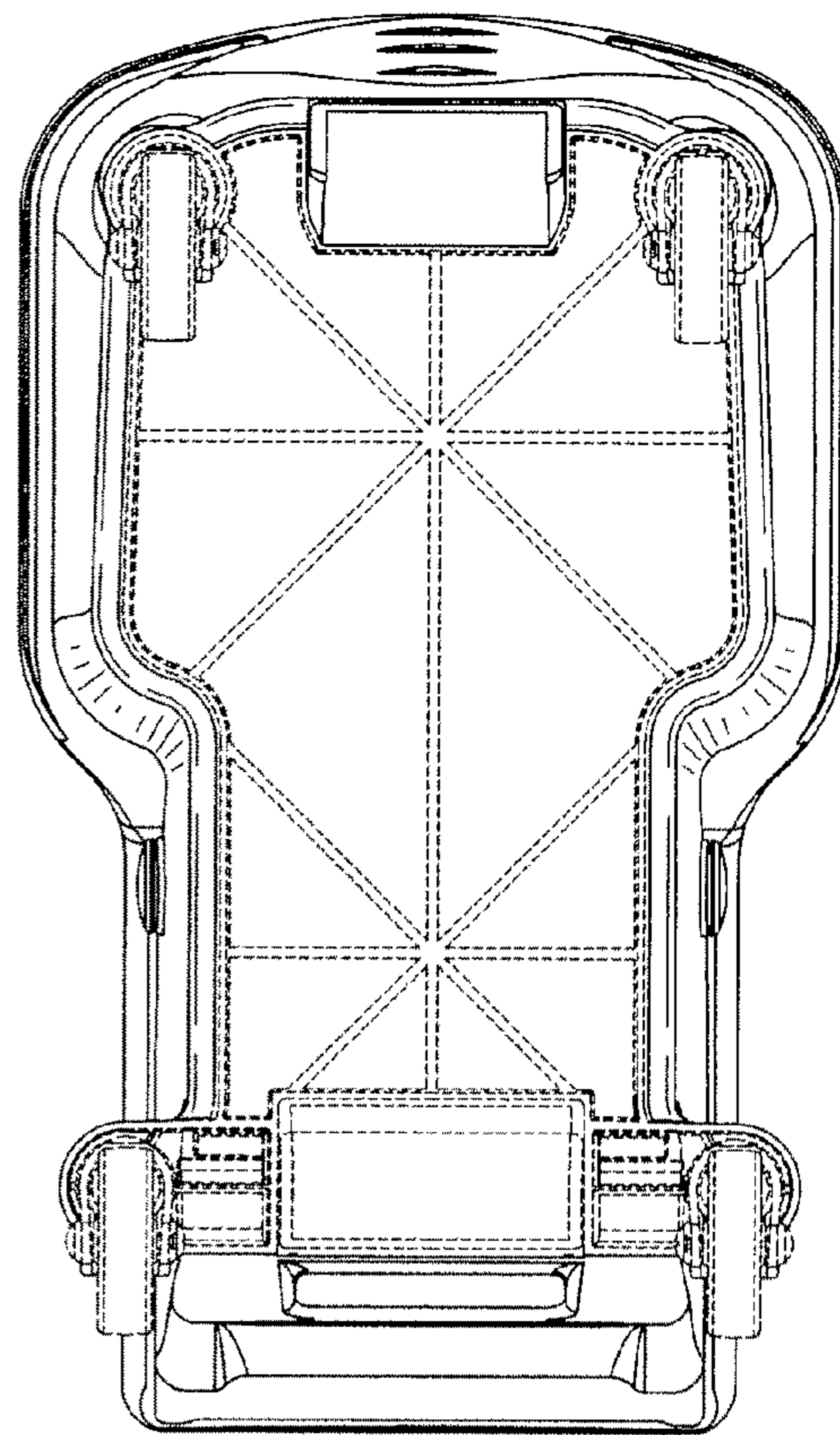


Fig. 8

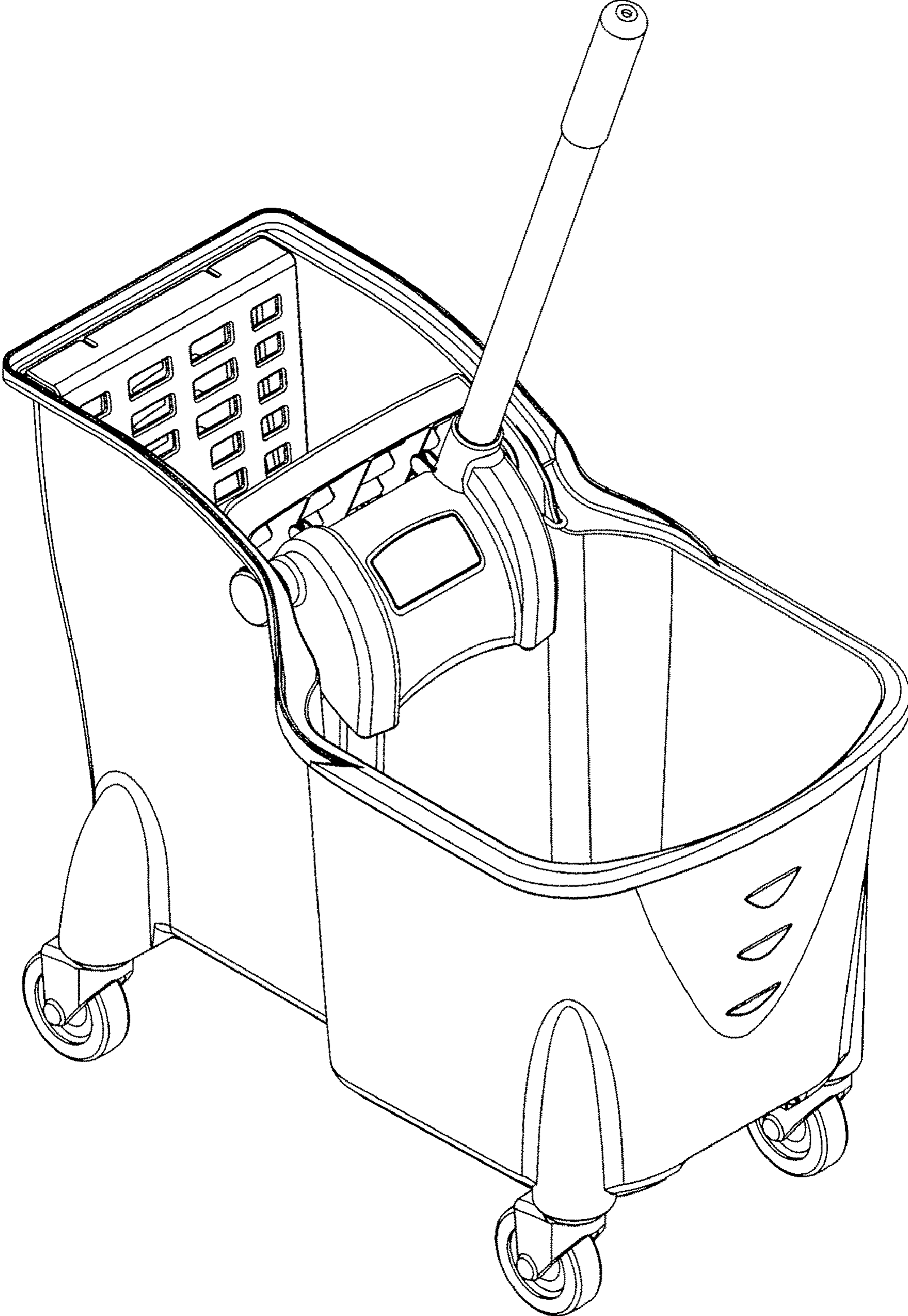


Fig. 9

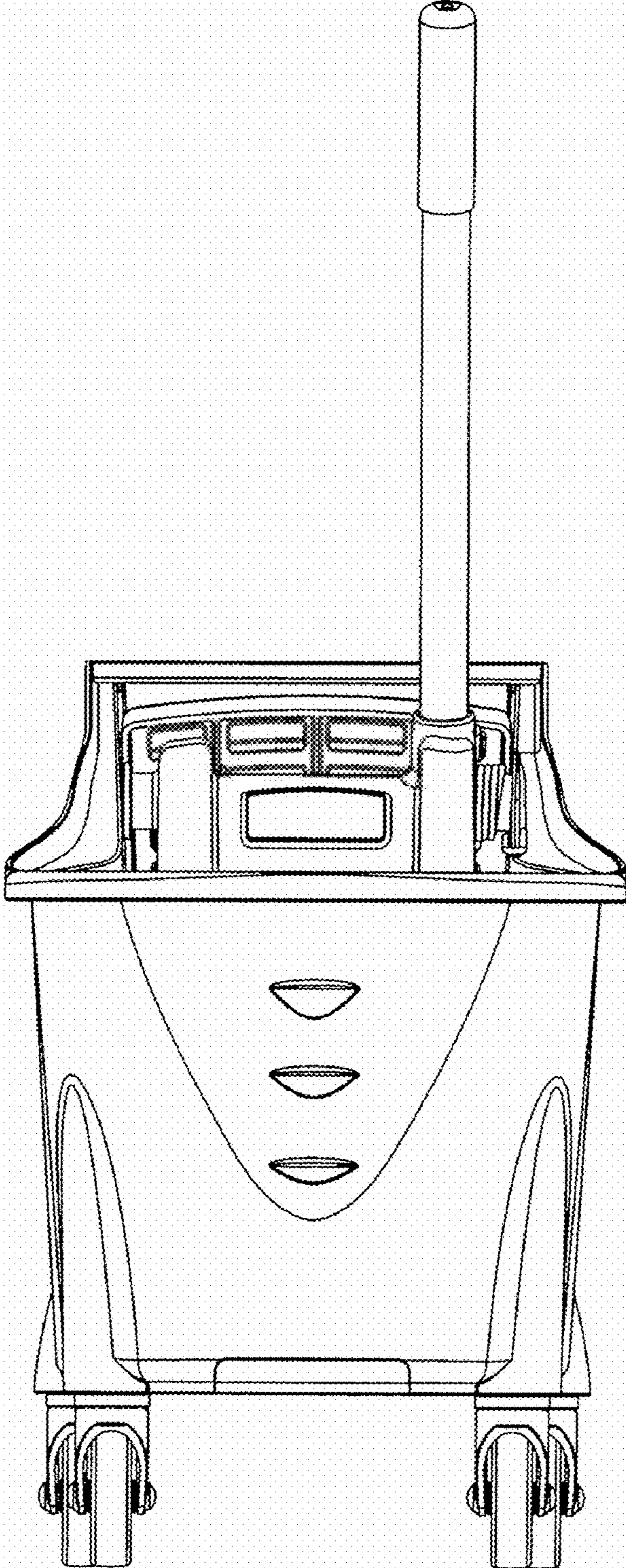


Fig. 10

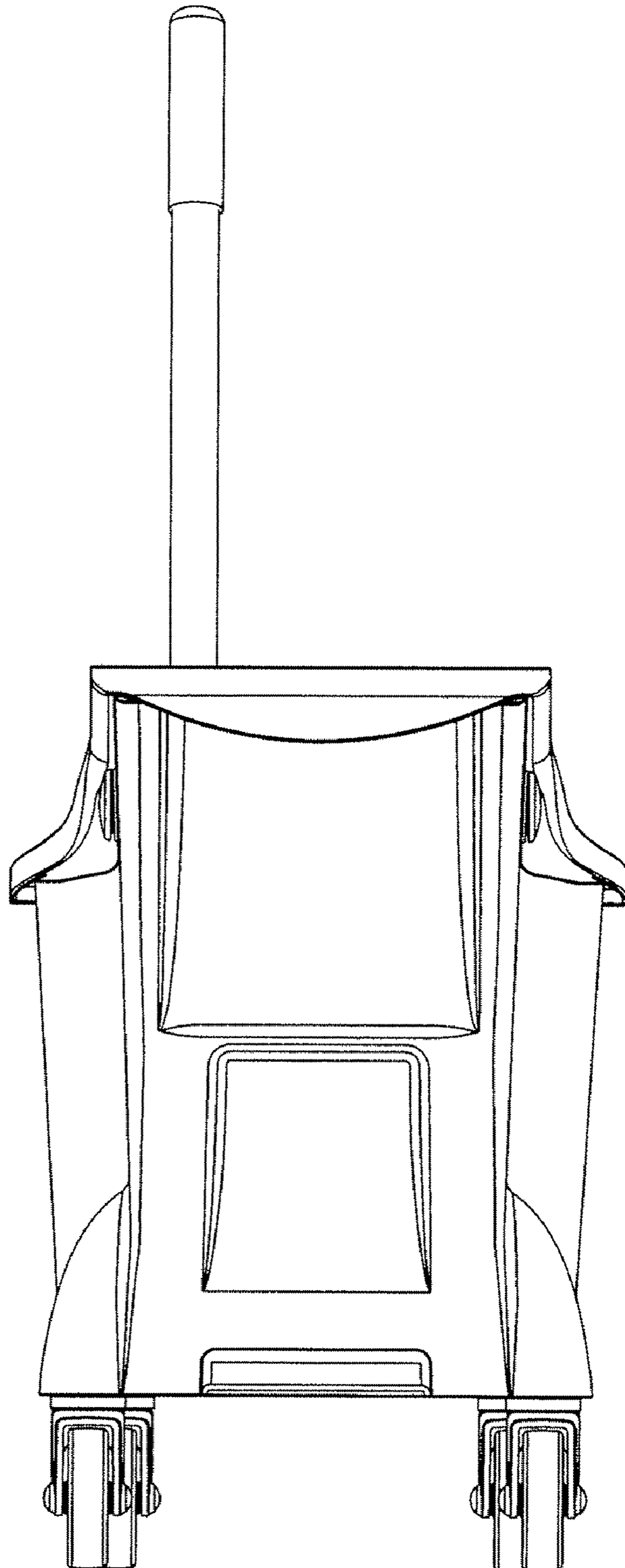


Fig. 11

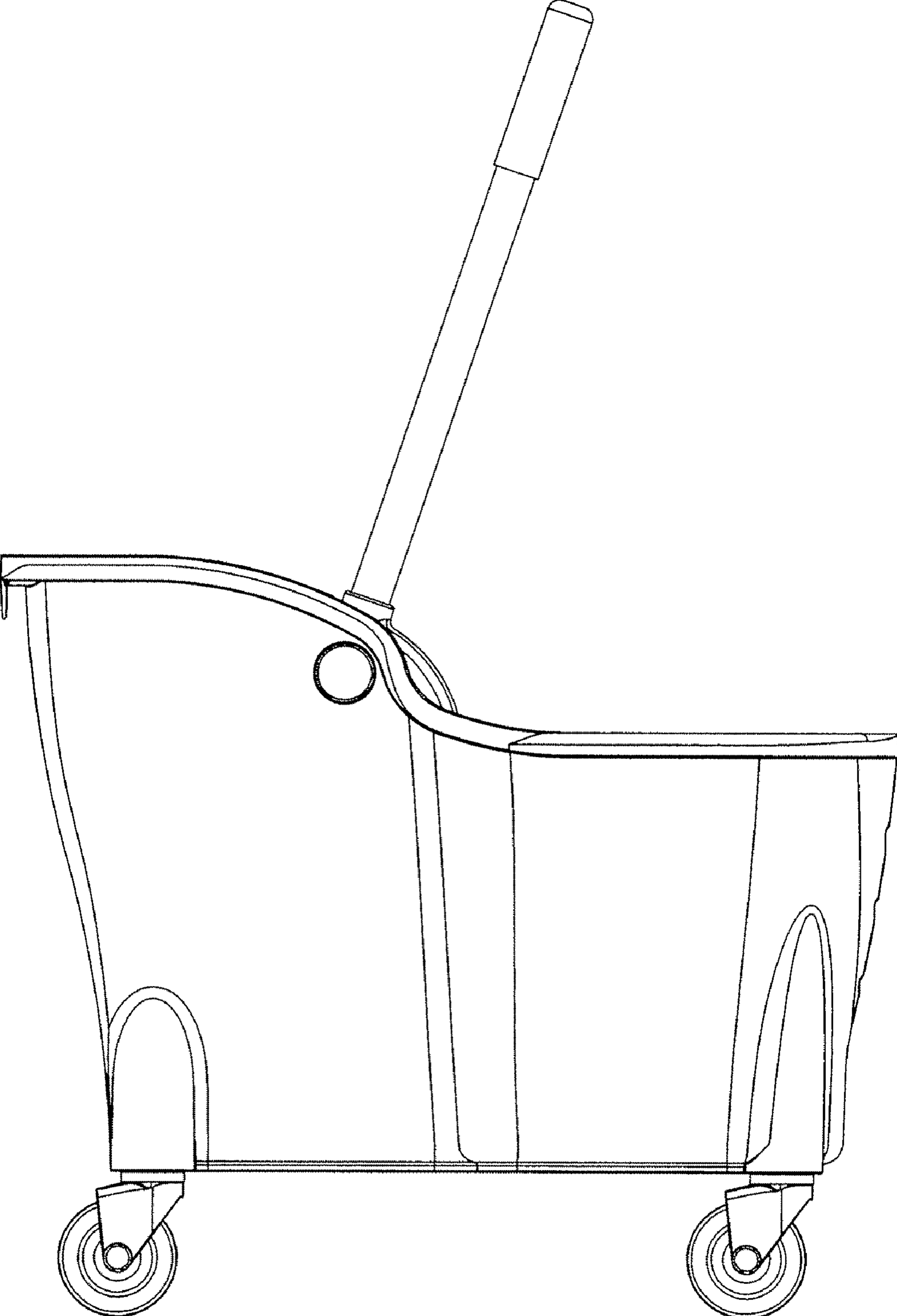


Fig. 12

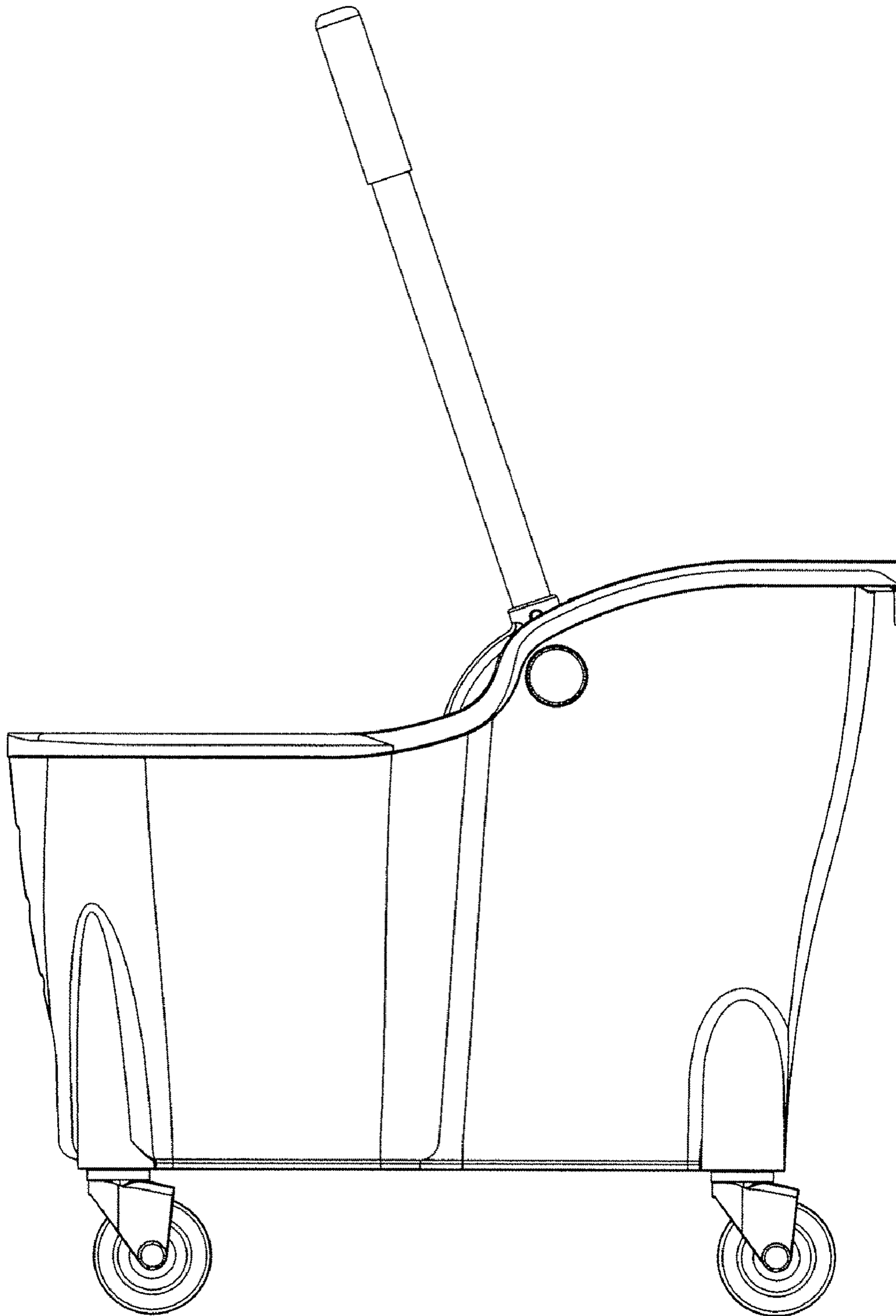


Fig. 13

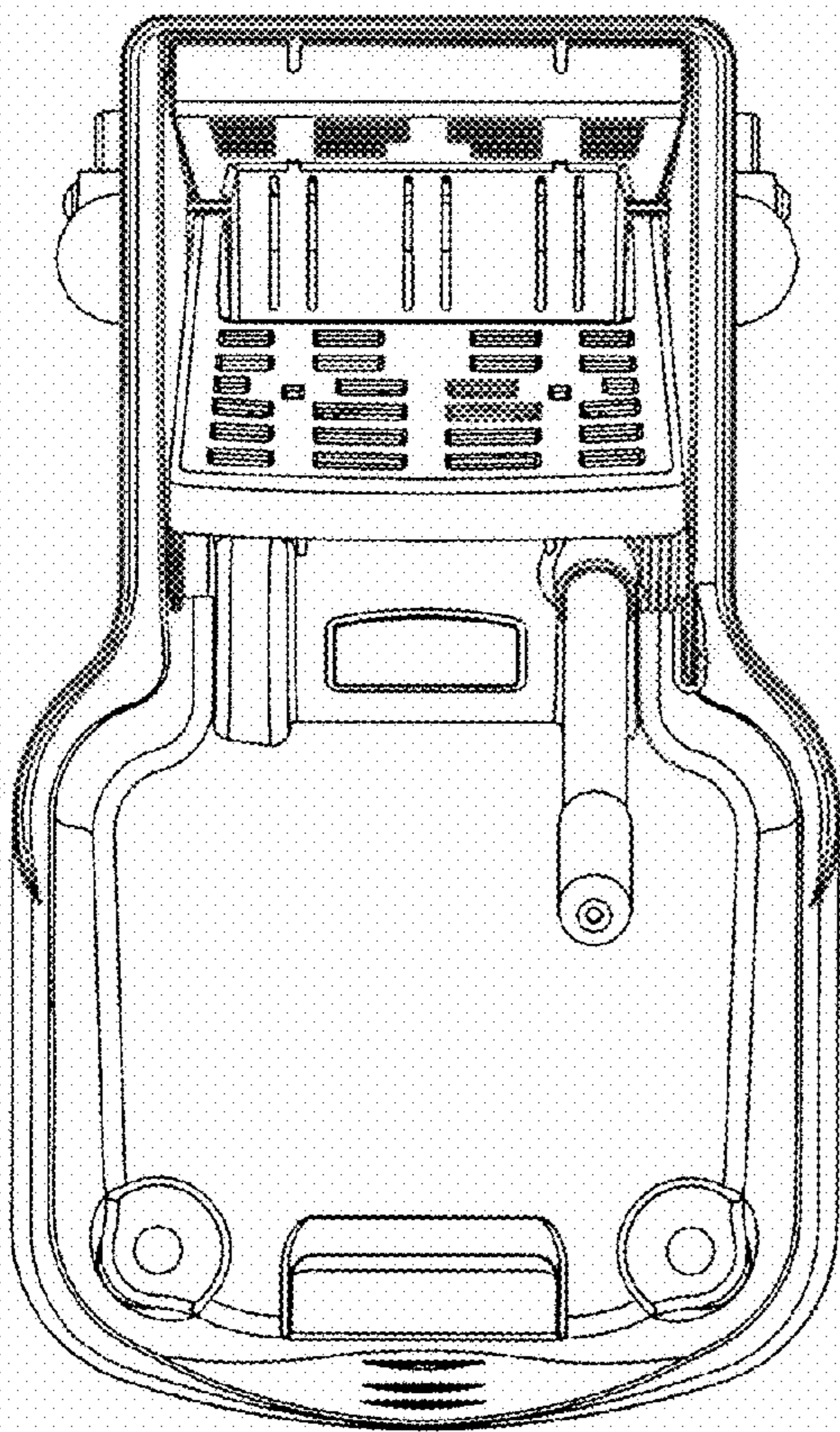


Fig. 14

