

US00D578248S

(12) **United States Design Patent**
Lee et al.

(10) **Patent No.:** **US D578,248 S**
(45) **Date of Patent:** **** Oct. 7, 2008**

(54) **LED LAMP**

(75) Inventors: **Hung-Hsin Lee**, Taipei (TW); **Yen-Fu Liu**, Tucheng (TW)

(73) Assignee: **Ledtech Electronics Corp.**, Taipei County (TW)

(**) Term: **14 Years**

(21) Appl. No.: **29/290,550**

(22) Filed: **Dec. 14, 2007**

(30) **Foreign Application Priority Data**

Jul. 17, 2007 (TW) 96303954

(51) **LOC (8) Cl.** **26-99**

(52) **U.S. Cl.** **D26/138**

(58) **Field of Classification Search** D26/3,
D26/37, 67, 72, 74-79, 81-92, 118-122;
362/125, 147, 217-225, 132, 243, 260-263,
362/267, 283, 311, 337, 364, 806; 326/311;
D25/119, 123; 312/140

See application file for complete search history.

(56) **References Cited**

U.S. PATENT DOCUMENTS

2,569,934 A * 10/1951 Kurtzon 362/125
D306,771 S * 3/1990 Gecchelin D26/75
D311,589 S * 10/1990 Benchimol et al. D26/24
D314,757 S * 2/1991 Gecchelin D13/155

D372,453 S * 8/1996 Gold D12/400
D444,262 S * 6/2001 Eberlein et al. D26/118
6,257,735 B1 * 7/2001 Baar 362/217
D452,031 S * 12/2001 Brunner et al. D26/87
D537,553 S * 2/2007 Kotovsky et al. D26/75
D541,094 S * 4/2007 Yu et al. D6/580
D544,990 S * 6/2007 Guercio D26/118
D544,994 S * 6/2007 Hargreaves D26/118
D545,996 S * 7/2007 Hargreaves D26/118

* cited by examiner

Primary Examiner—Robert M. Spear

Assistant Examiner—Susan E Krakower

(74) *Attorney, Agent, or Firm*—Rosenberg, Klein & Lee

(57) **CLAIM**

The ornamental design for an LED lamp, as shown and described.

DESCRIPTION

FIG. 1 is a perspective view of a “LED lamp” showing my new design;

FIG. 2 is a front view thereof;

FIG. 3 is a rear view thereof;

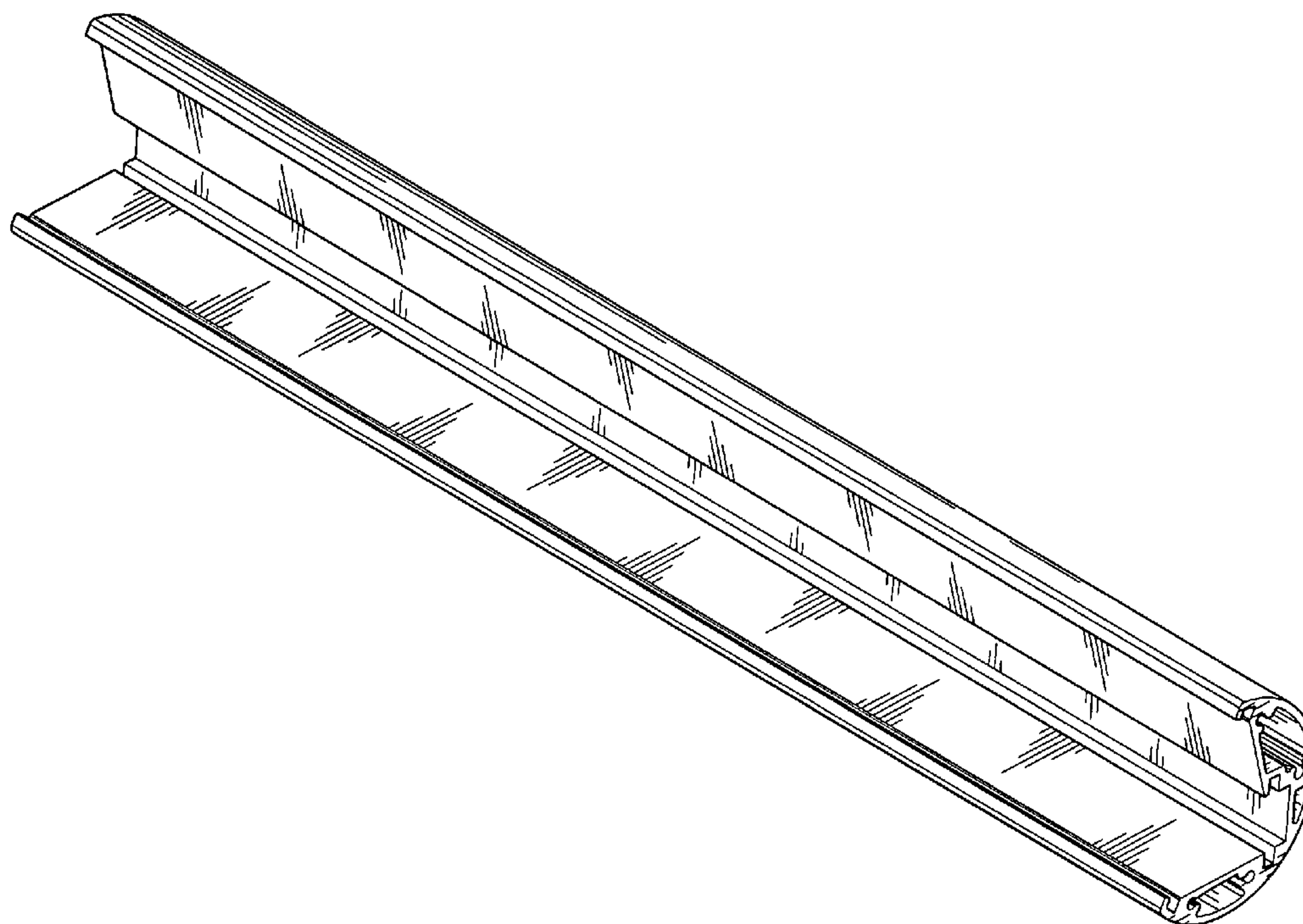
FIG. 4 is a left side view thereof;

FIG. 5 is a right side view thereof;

FIG. 6 is a top view thereof; and,

FIG. 7 is a bottom view thereof.

1 Claim, 4 Drawing Sheets



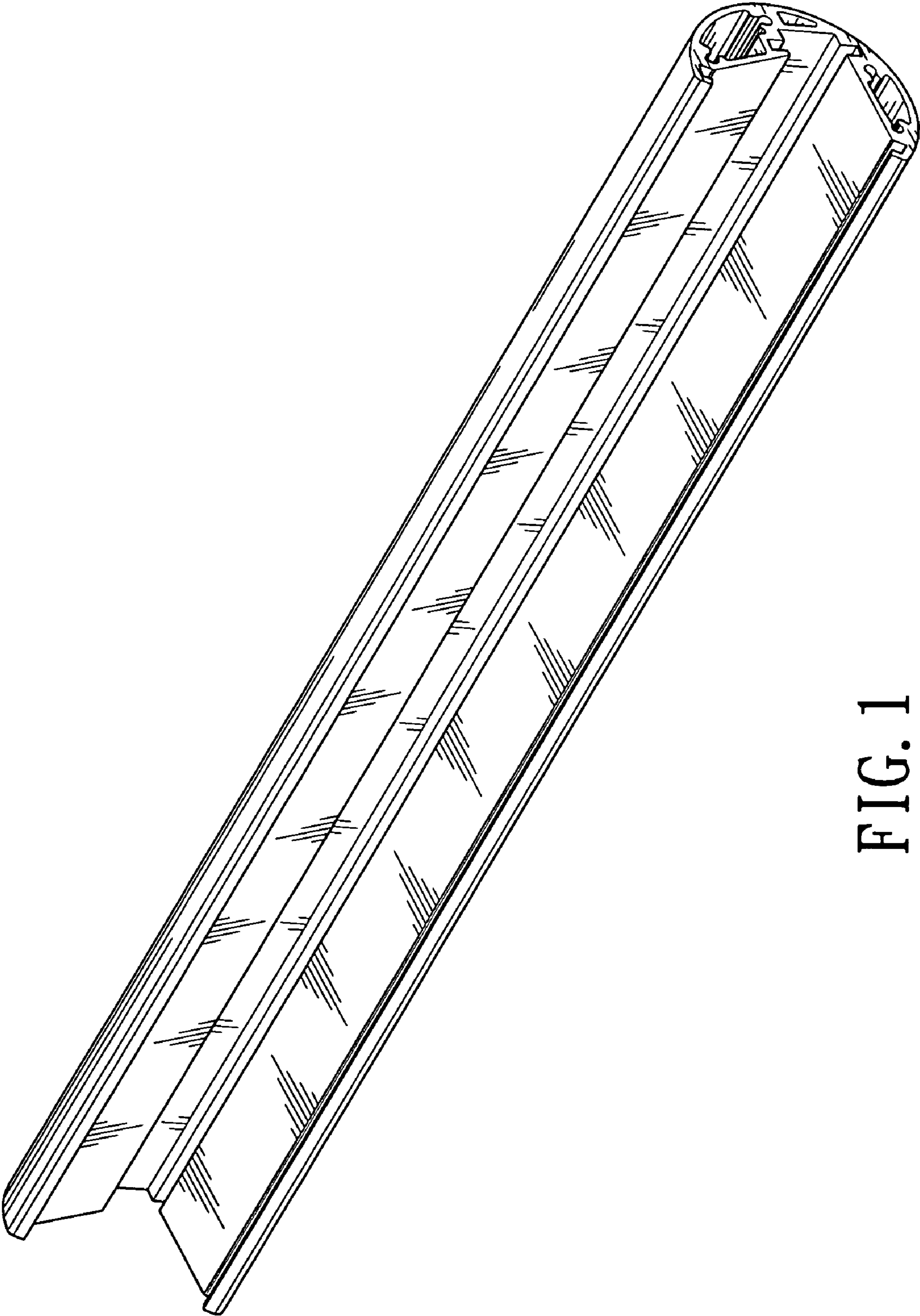


FIG. 1

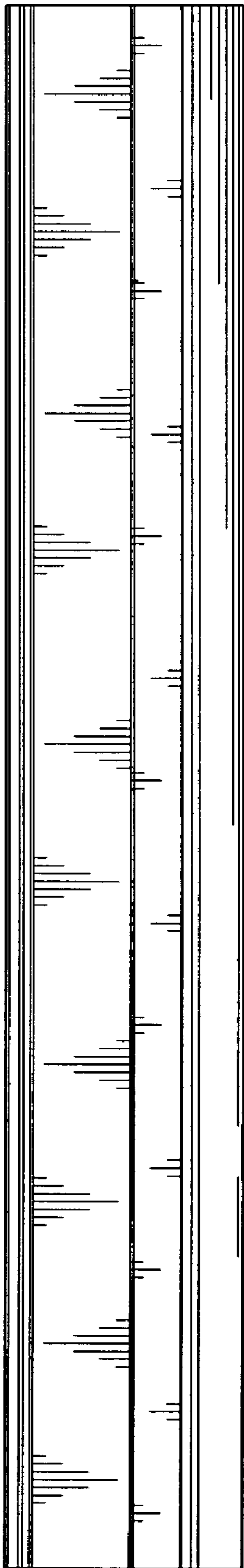


FIG. 2

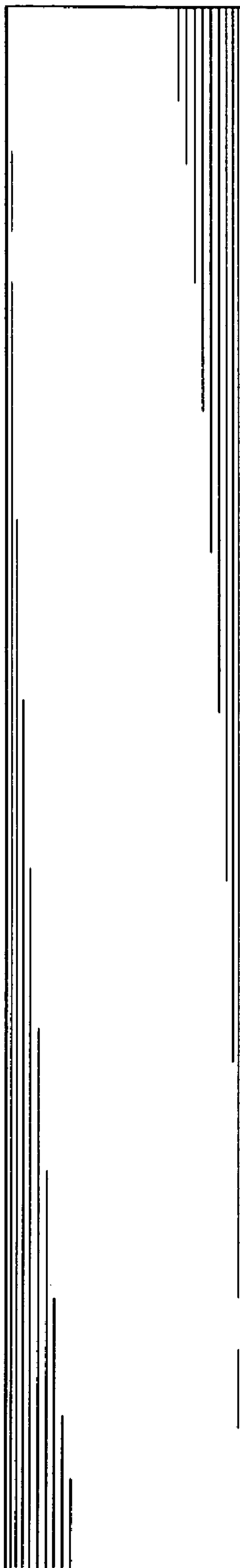


FIG. 3

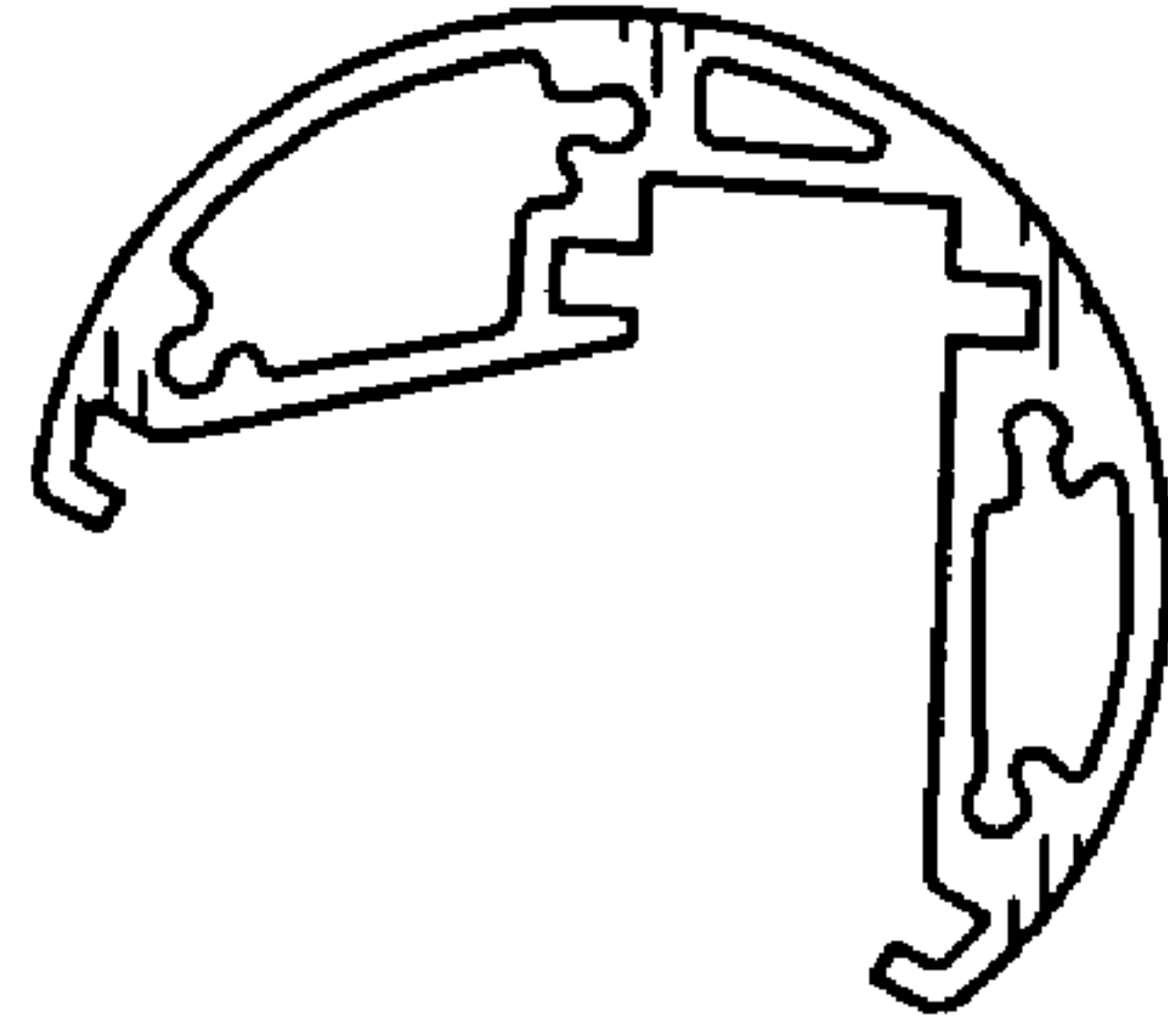


FIG. 5

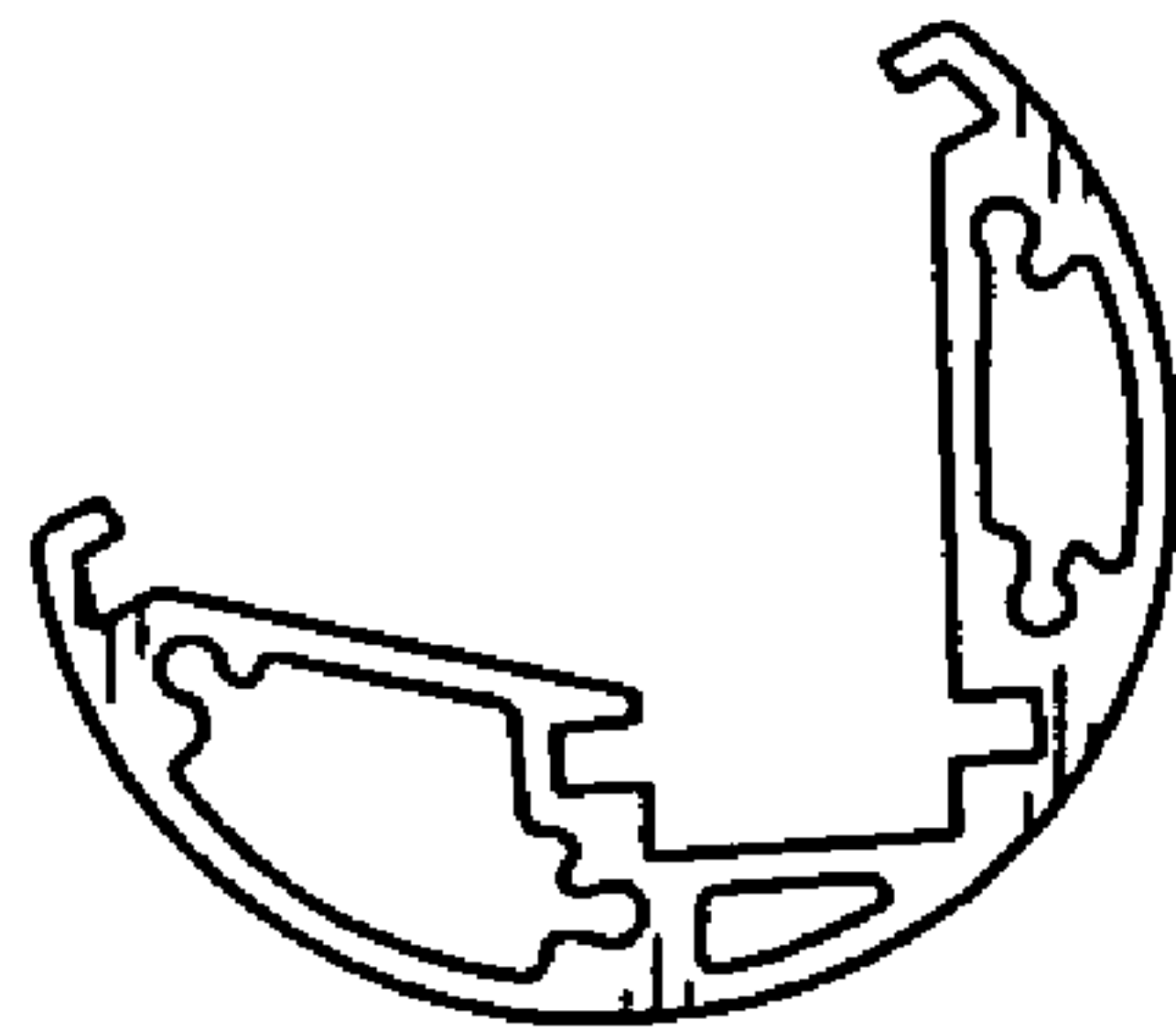


FIG. 4

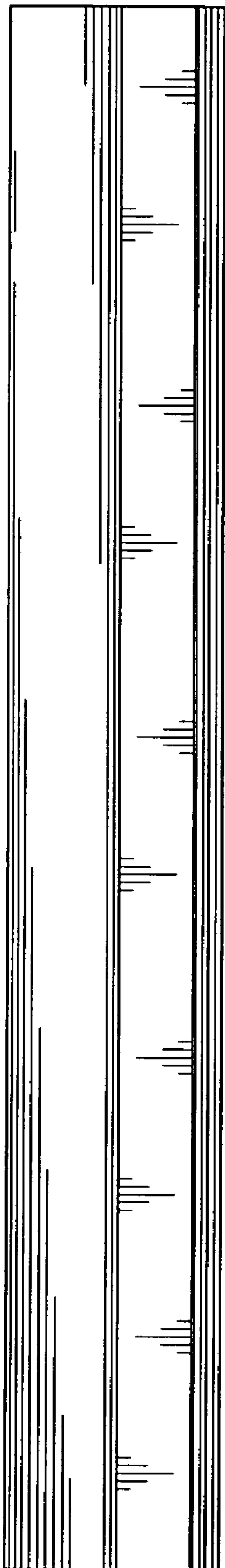


FIG. 6

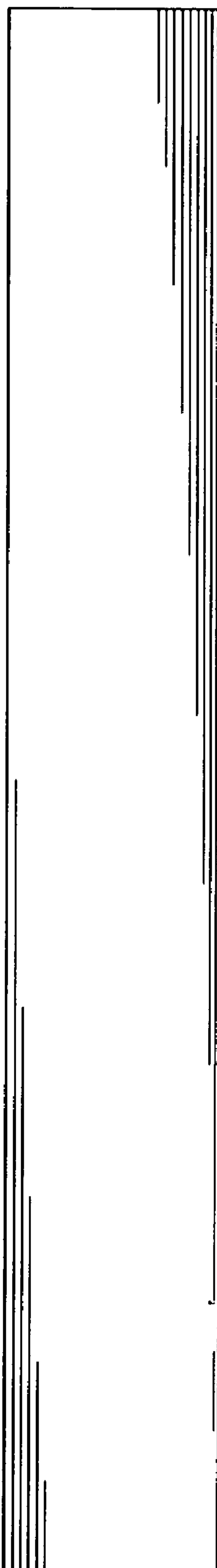


FIG. 7