



US00D578242S

(12) **United States Design Patent**
Couillard et al.

(10) **Patent No.:** **US D578,242 S**
(45) **Date of Patent:** **** Oct. 7, 2008**

(54) **EMERGENCY LIGHTING FIXTURE**

(75) Inventors: **Francois Couillard**, Blainville (CA);
Luc Bourgeois, Lachenaie (CA)

(73) Assignee: **Thomas & Betts International, Inc.**,
Wilmington, DE (US)

(**) Term: **14 Years**

(21) Appl. No.: **29/301,195**

(22) Filed: **Feb. 15, 2008**

(51) **LOC (8) Cl.** **26-03**

(52) **U.S. Cl.** **D26/85**

(58) **Field of Classification Search** D26/72,
D26/75, 76, 85, 89; 362/147, 404, 347, 350
See application file for complete search history.

(56) **References Cited**

U.S. PATENT DOCUMENTS

1,809,243 A	6/1931	Kirk	
4,169,327 A	10/1979	Stilling	40/549
4,217,714 A	8/1980	Ramsay	40/549
4,499,528 A	2/1985	Hawlitzki	362/275
4,535,391 A	8/1985	Hsiao	362/183
D314,983 S	2/1991	Cangianni et al.	D20/10
5,025,355 A	6/1991	Harwood	362/147
5,050,047 A	9/1991	Viner et al.	362/32
5,599,089 A	2/1997	Sheu et al.	362/198
D380,572 S *	7/1997	Bodell et al.	D26/85
D391,992 S	3/1998	Vosika et al.	D20/10
5,729,924 A	3/1998	Reading	40/564
5,797,673 A	8/1998	Logan et al.	362/234
6,019,477 A	2/2000	Wegrzyn et al.	362/20
6,045,242 A	4/2000	Wegrzyn et al.	362/375
6,142,648 A	11/2000	Logan et al.	362/234

6,193,935 B1	2/2001	Subramanian et al.	422/181
6,280,042 B1	8/2001	Wegrzyn et al.	362/20
D459,519 S *	6/2002	Russello et al.	D26/85
6,499,866 B1	12/2002	Logan et al.	362/362
6,606,808 B2	8/2003	Katz	40/570
6,741,324 B1	5/2004	Kim	352/249
D504,705 S	5/2005	Gregory et al.	D20/42
D524,461 S	7/2006	Molenaar et al.	D26/26
7,150,542 B1 *	12/2006	Russello et al.	362/285
D552,292 S *	10/2007	Martineau	D26/85
D568,524 S *	5/2008	Sandell	D26/85
D569,540 S *	5/2008	Bourgeois et al.	D26/85

* cited by examiner

Primary Examiner—Clare E Heflin

(74) *Attorney, Agent, or Firm*—Michael L. Hoelter

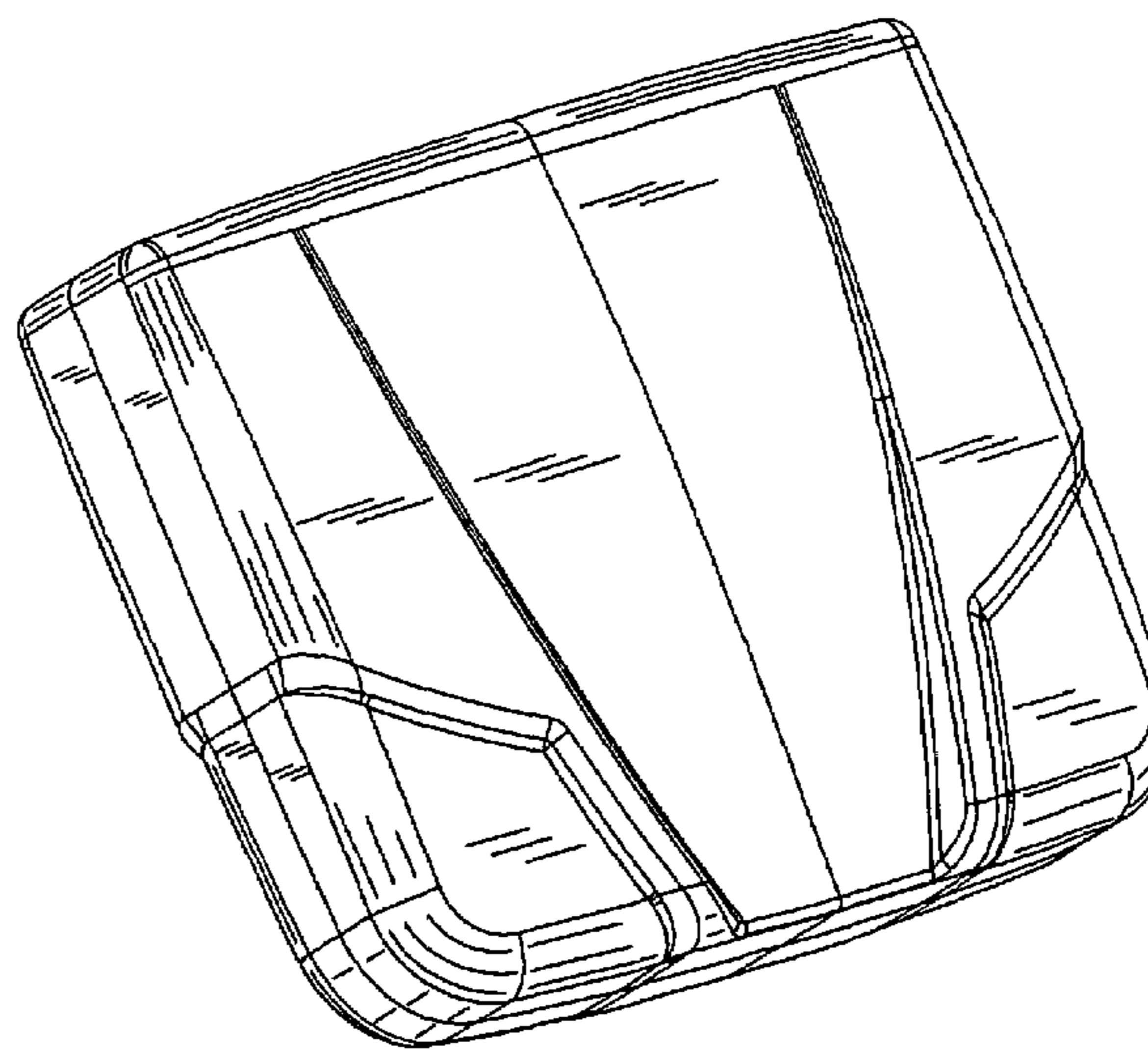
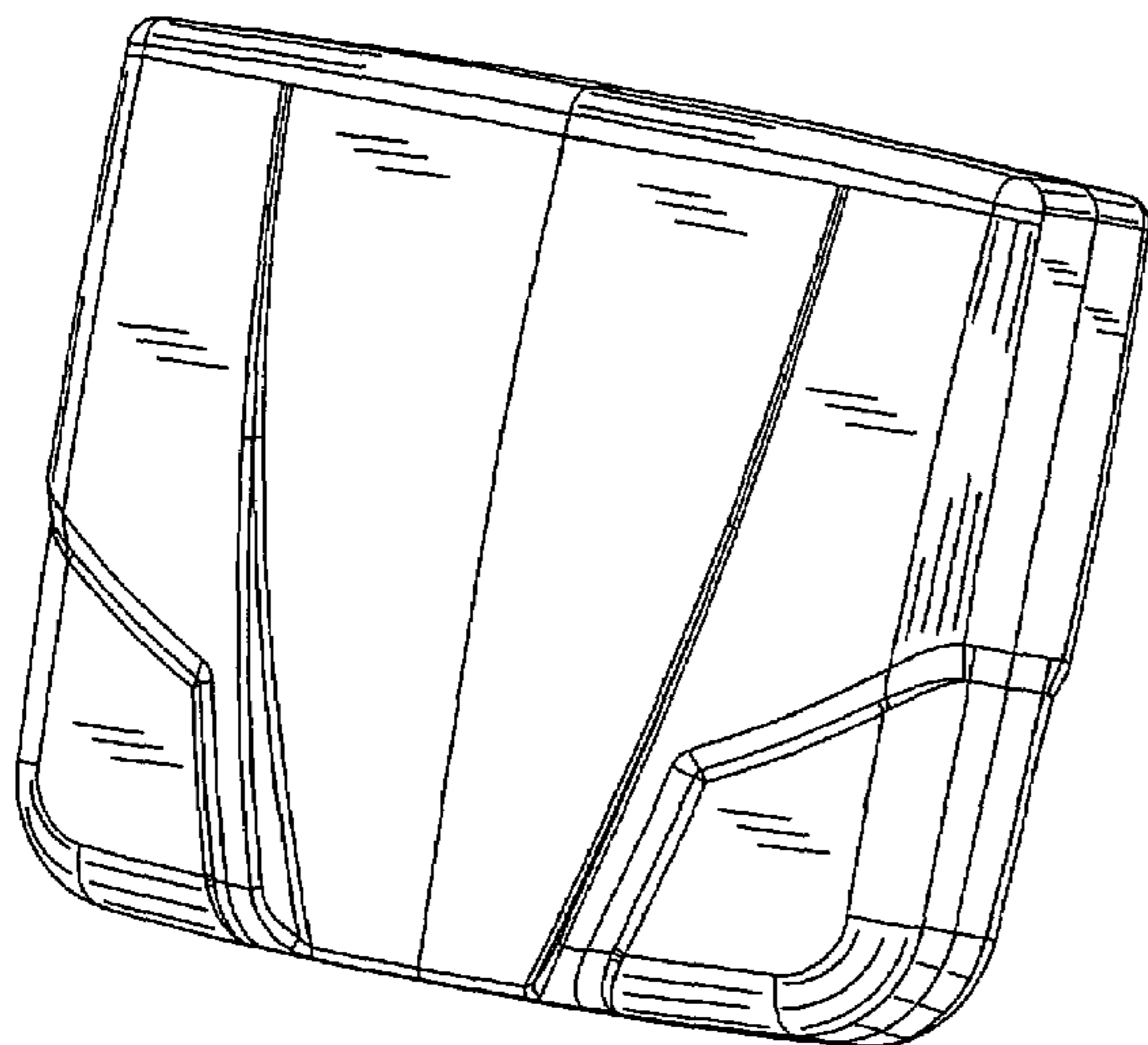
(57) **CLAIM**

The ornamental design for an emergency lighting fixture, as shown and described.

DESCRIPTION

FIG. 1 is a front elevation view of the emergency lighting fixture showing the new design;
FIG. 2 is a rear elevation view thereof;
FIG. 3 is a bottom plan view thereof;
FIG. 4 is a left elevation view thereof;
FIG. 5 is a right elevation view thereof;
FIG. 6 is a front, right perspective view thereof;
FIG. 7 is a front, left perspective view thereof;
FIG. 8 is a rear, right perspective view thereof; and,
FIG. 9 is a rear, left perspective view thereof.

1 Claim, 4 Drawing Sheets



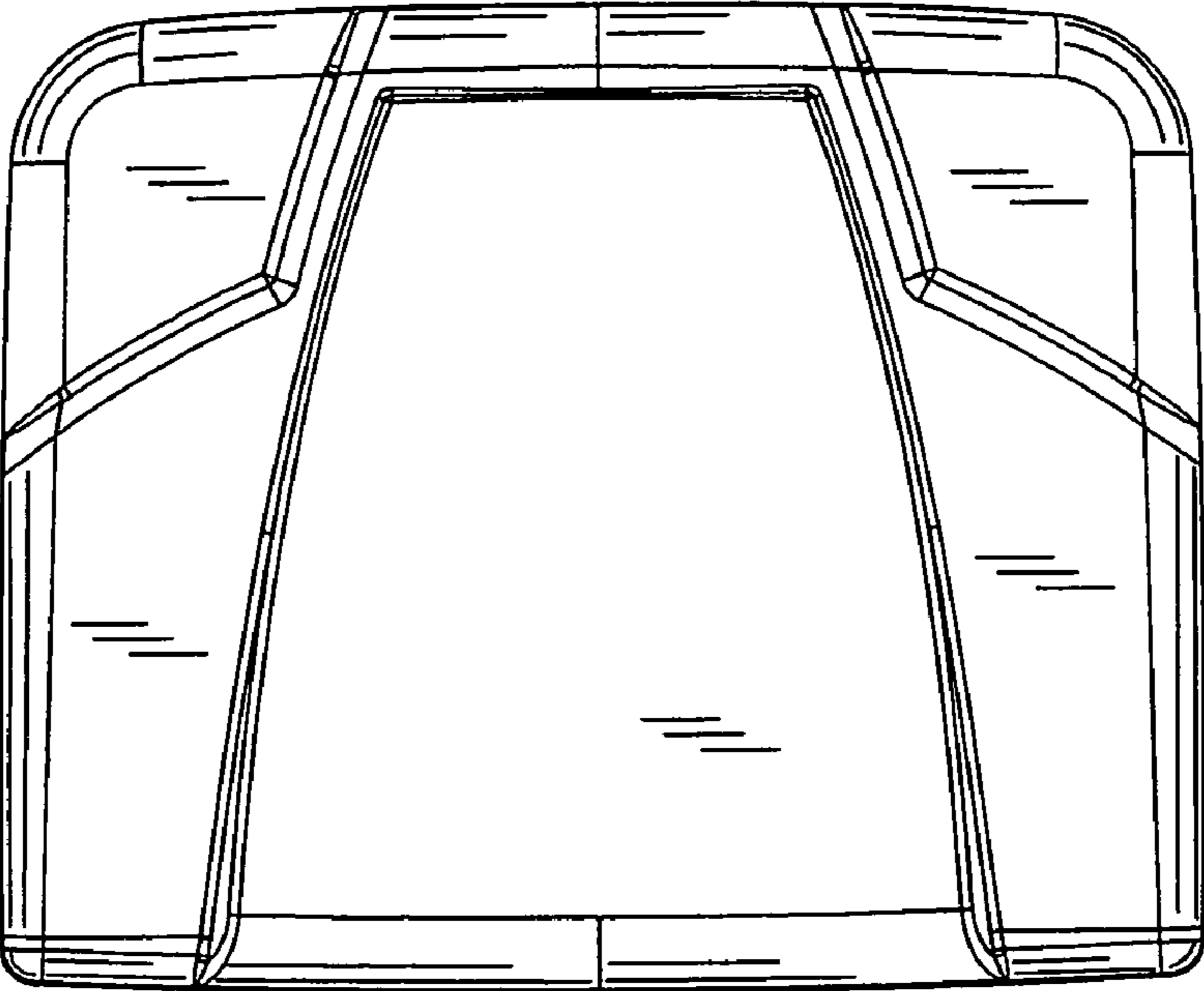


FIG. 2

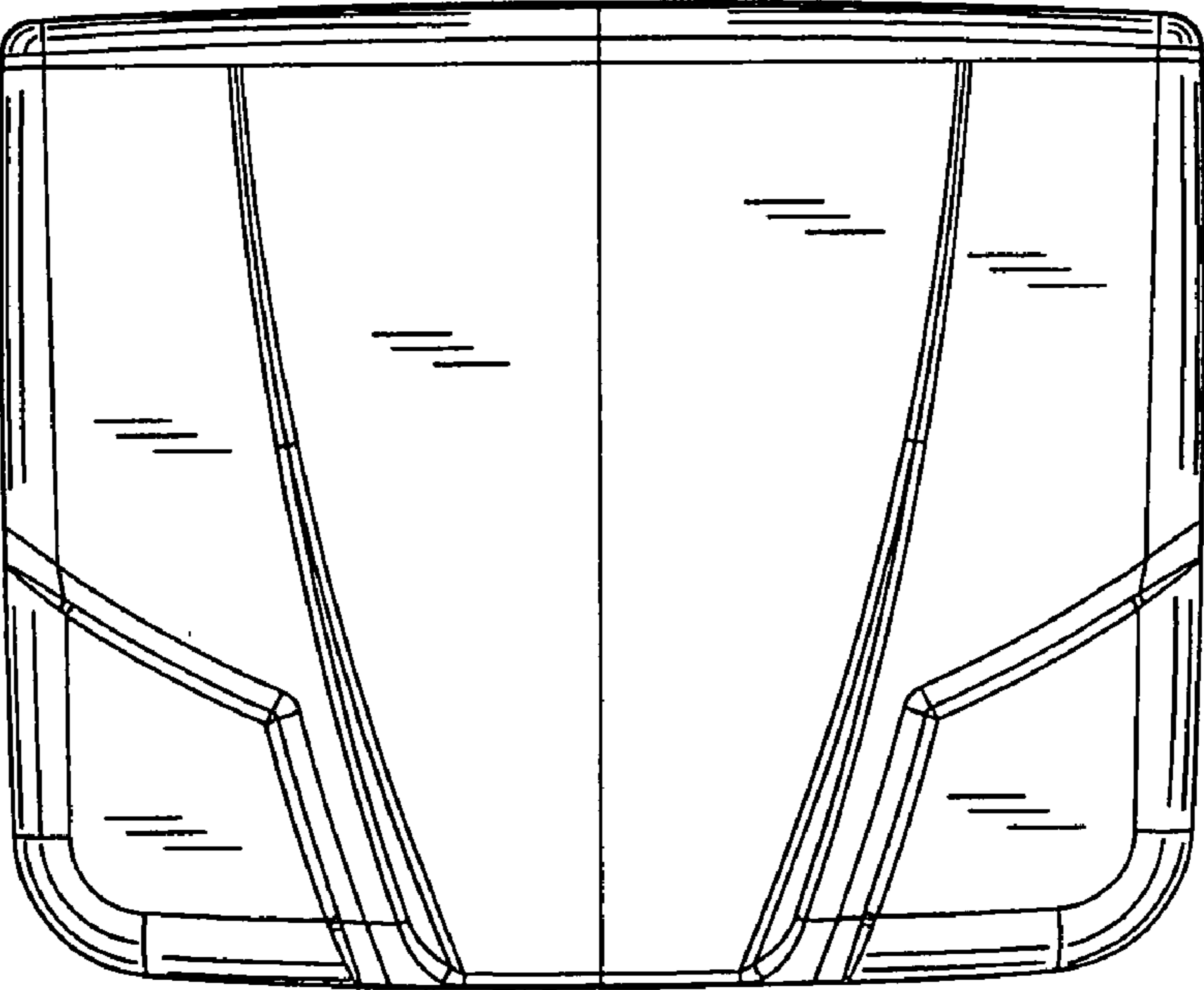


FIG. 1

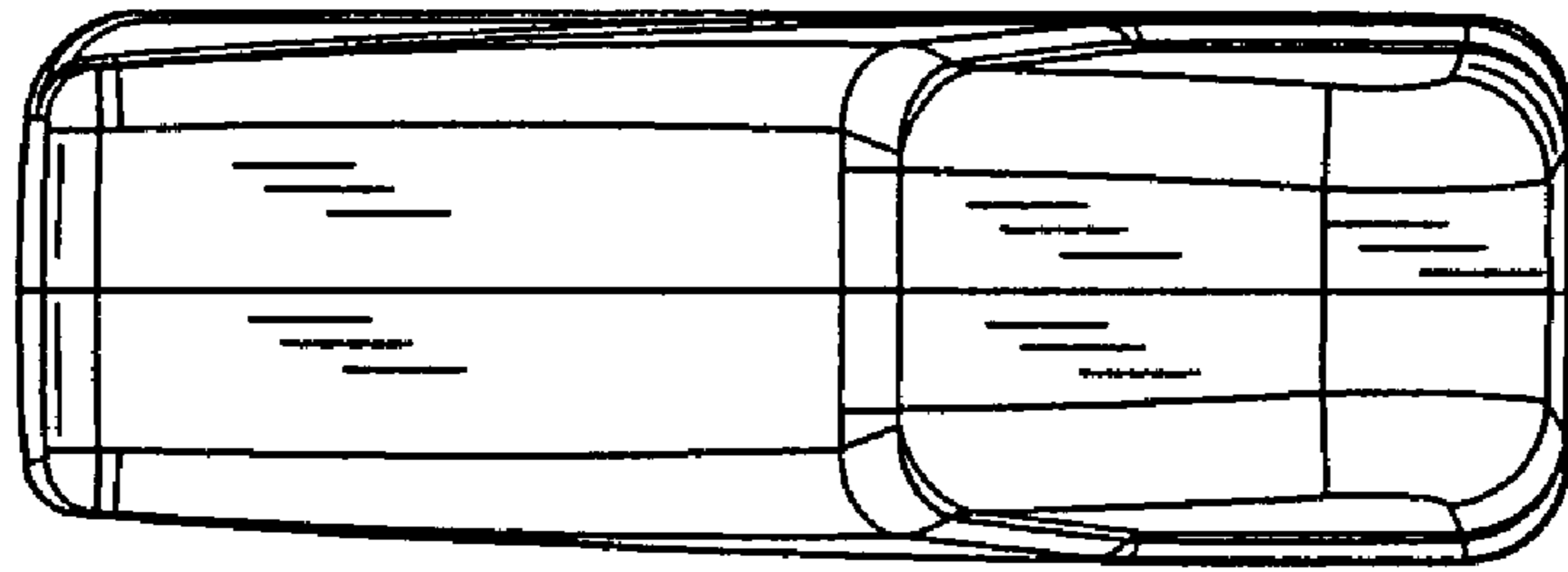


FIG. 4

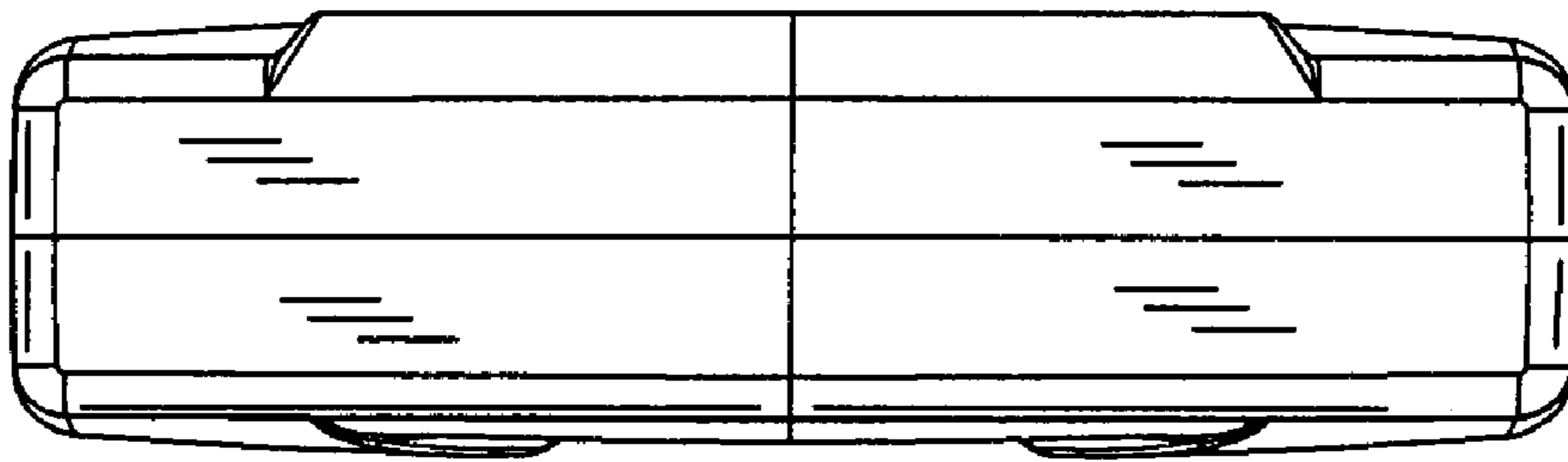


FIG. 3

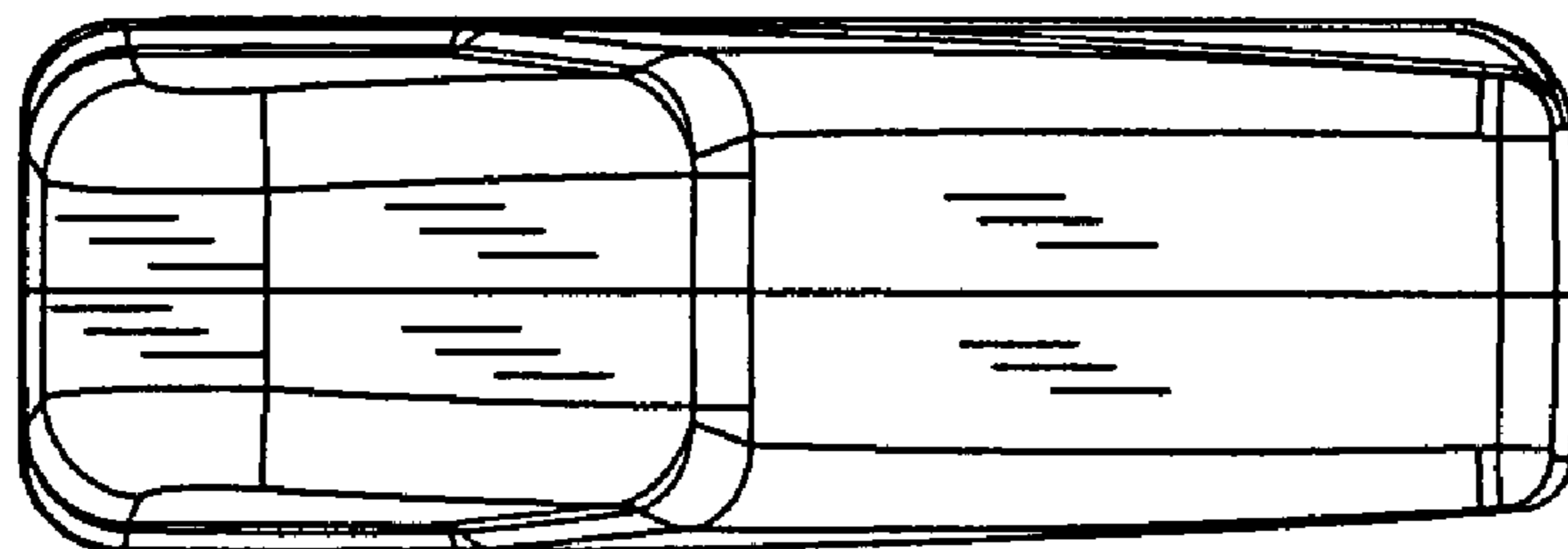


FIG. 5

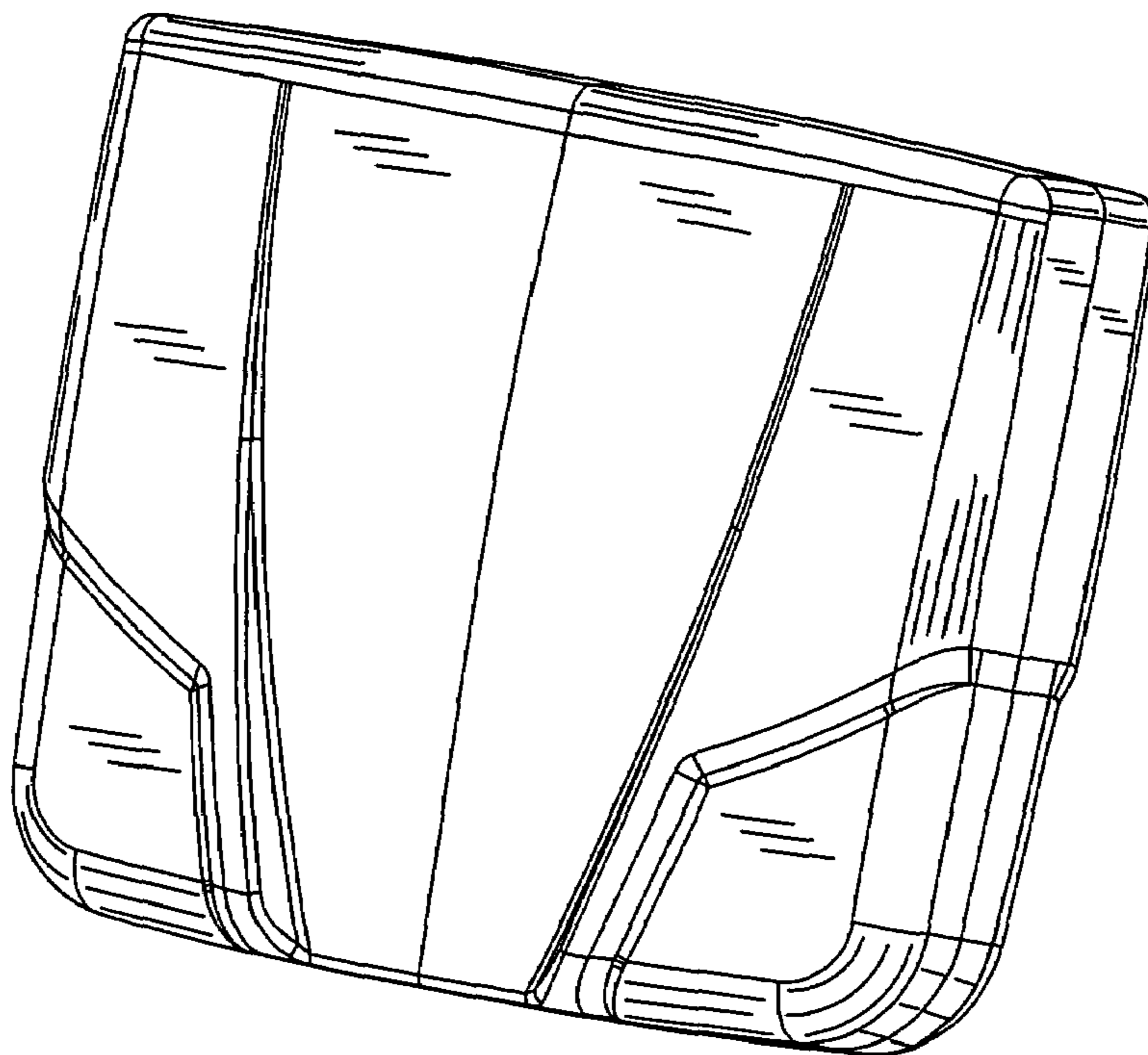


FIG. 6

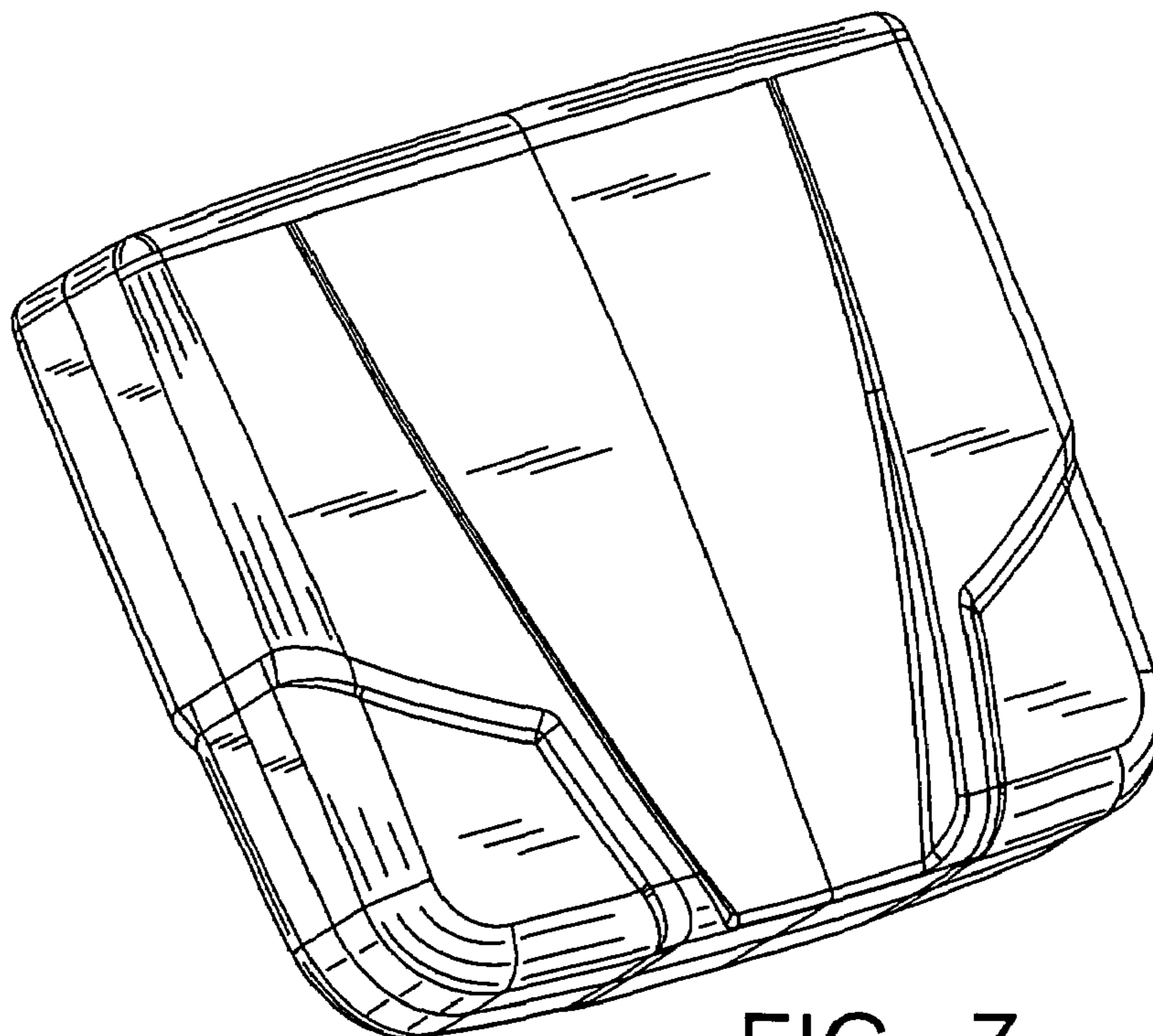


FIG. 7

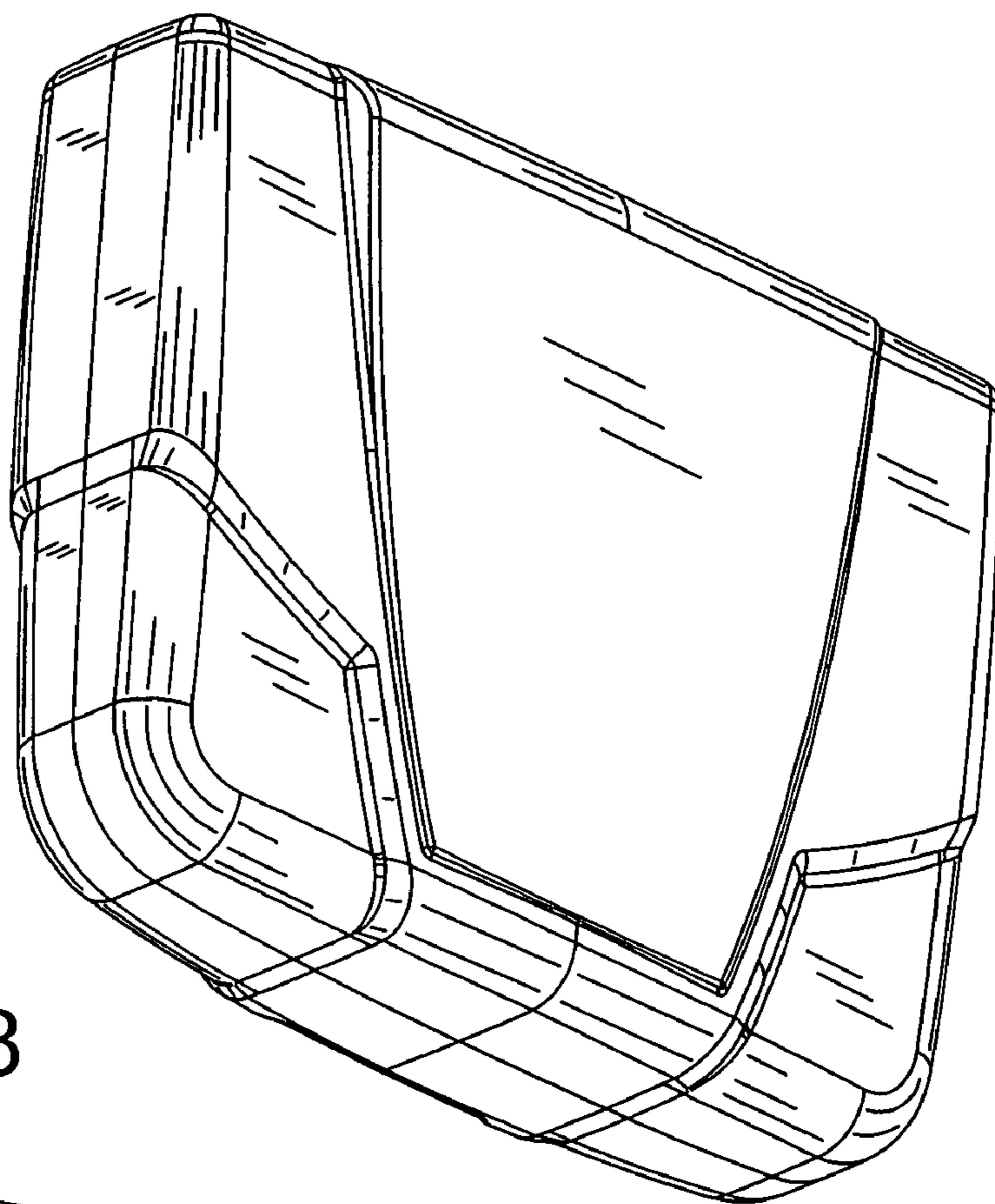


FIG. 8

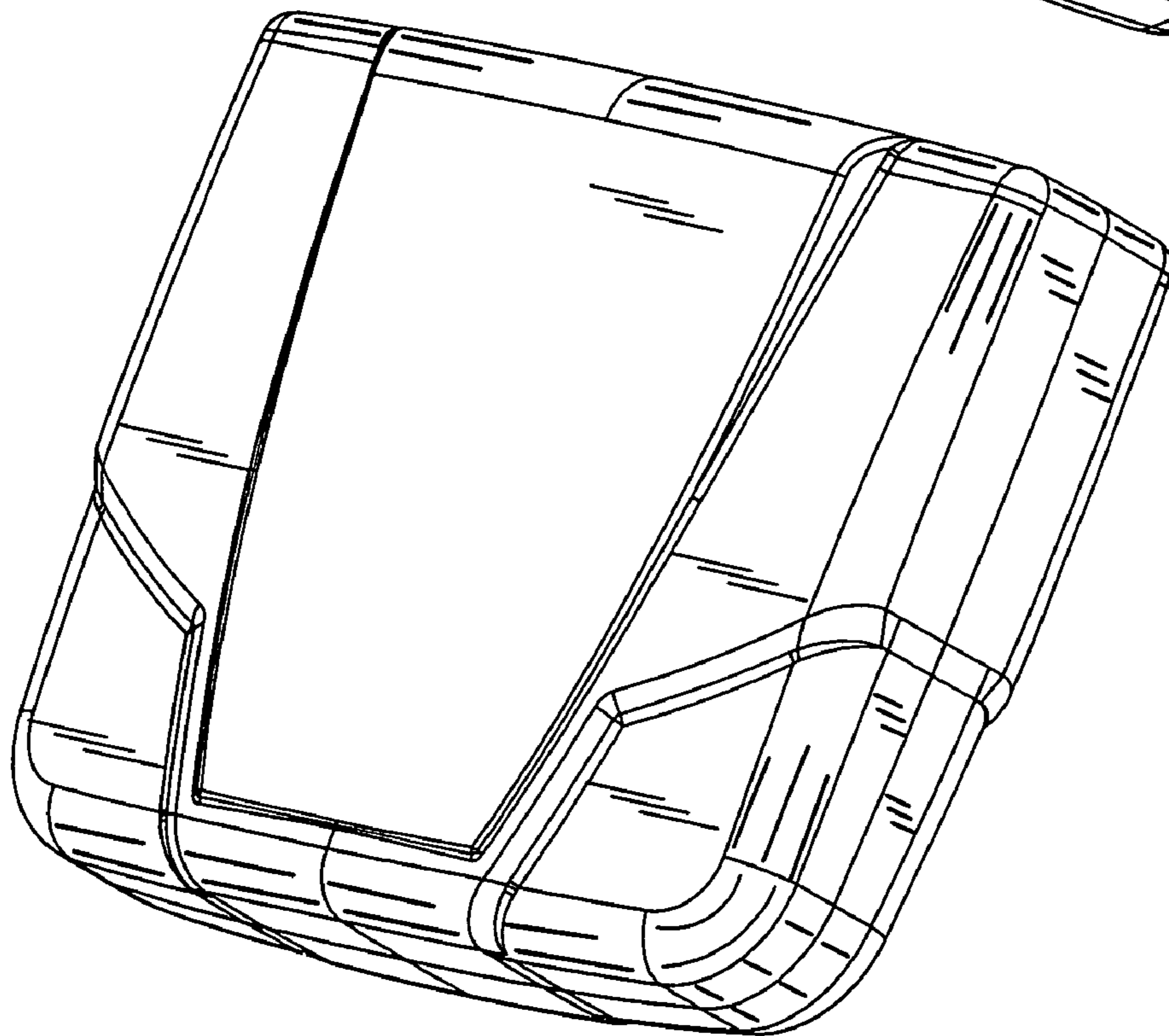


FIG. 9