



US00D578237S

(12) **United States Design Patent**
Engel

(10) **Patent No.:** **US D578,237 S**
(45) **Date of Patent:** **** Oct. 7, 2008**

(54) **TRI-LIGHT LIGHTING FIXTURE**

(76) Inventor: **Hartmut S. Engel**, Monrepoe Strasse 7,
Ludwigsburg (DE) 71634

(**) Term: **14 Years**

(21) Appl. No.: **29/249,574**

(22) Filed: **Oct. 12, 2006**

(30) **Foreign Application Priority Data**

Apr. 13, 2006 (EM) 000526702

(51) **LOC (8) Cl.** **26-05**

(52) **U.S. Cl.** **D26/63**

(58) **Field of Classification Search** D26/61,
D26/63-65, 72, 74, 75, 85-89, 118; 362/147,
362/148, 364-366

See application file for complete search history.

(56) **References Cited**

U.S. PATENT DOCUMENTS

D264,254 S *	5/1982	Heritage	D26/74
D291,253 S *	8/1987	Ortega	D26/29
D400,995 S *	11/1998	LaRosa et al.	D26/63
D437,074 S *	1/2001	Johnson	D26/74
D443,093 S *	5/2001	Chiang	D26/65
D447,593 S *	9/2001	Lee	D26/87
6,568,826 B1 *	5/2003	Kotovskiy	362/147
6,629,771 B2 *	10/2003	Chiu	362/368
6,755,557 B2 *	6/2004	Stauner et al.	362/364
D516,239 S *	2/2006	Wachter	D26/118
D526,735 S *	8/2006	Targetti	D26/63

FOREIGN PATENT DOCUMENTS

EP	000123864	1/2004
EP	000125224	1/2004
EP	000233184	9/2004

OTHER PUBLICATIONS

Cens Lighting Catalog, Mar. 2005, p. 133, item #BC321,
270X90X130(H).*

Cens Lighting Catalog, Mar. 2005, p. 136, Architectural Lighting-
CDMT G12, G8.5.*

Cens Lighting Catalog, Mar. 2005, p. 148, item #JX-555D-3.*

* cited by examiner

Primary Examiner—Cathron Brooks

Assistant Examiner—Barbara Fox

(74) *Attorney, Agent, or Firm*—Lewis and Roca LLP

(57) **CLAIM**

The ornamental design for a tri-light lighting fixture, as
shown and described.

DESCRIPTION

FIG. 1 is a plan view of a tri-light lighting fixture showing my
new design, with a cover in a closed position and the light bulb
receivers in a center position;

FIG. 2 is an isometric view of the tri-light lighting fixture of
FIG. 1;

FIG. 3 is a perspective view of the tri-light lighting fixture of
FIG. 1, with the light bulb receivers angled left;

FIG. 4 is a plan view of the tri-light lighting fixture of FIG. 3,
with the light bulb receivers angled left;

FIG. 5 is a perspective view of the tri-light lighting fixture of
FIG. 3, with the light bulb receivers in a center position;

FIG. 6 is a plan view of the tri-light lighting fixture with a
cover in an open position, with the light bulb receivers angled
right;

FIG. 7 is a perspective view of the tri-light lighting fixture of
FIG. 6, with the light bulb receivers angled right and upwards;

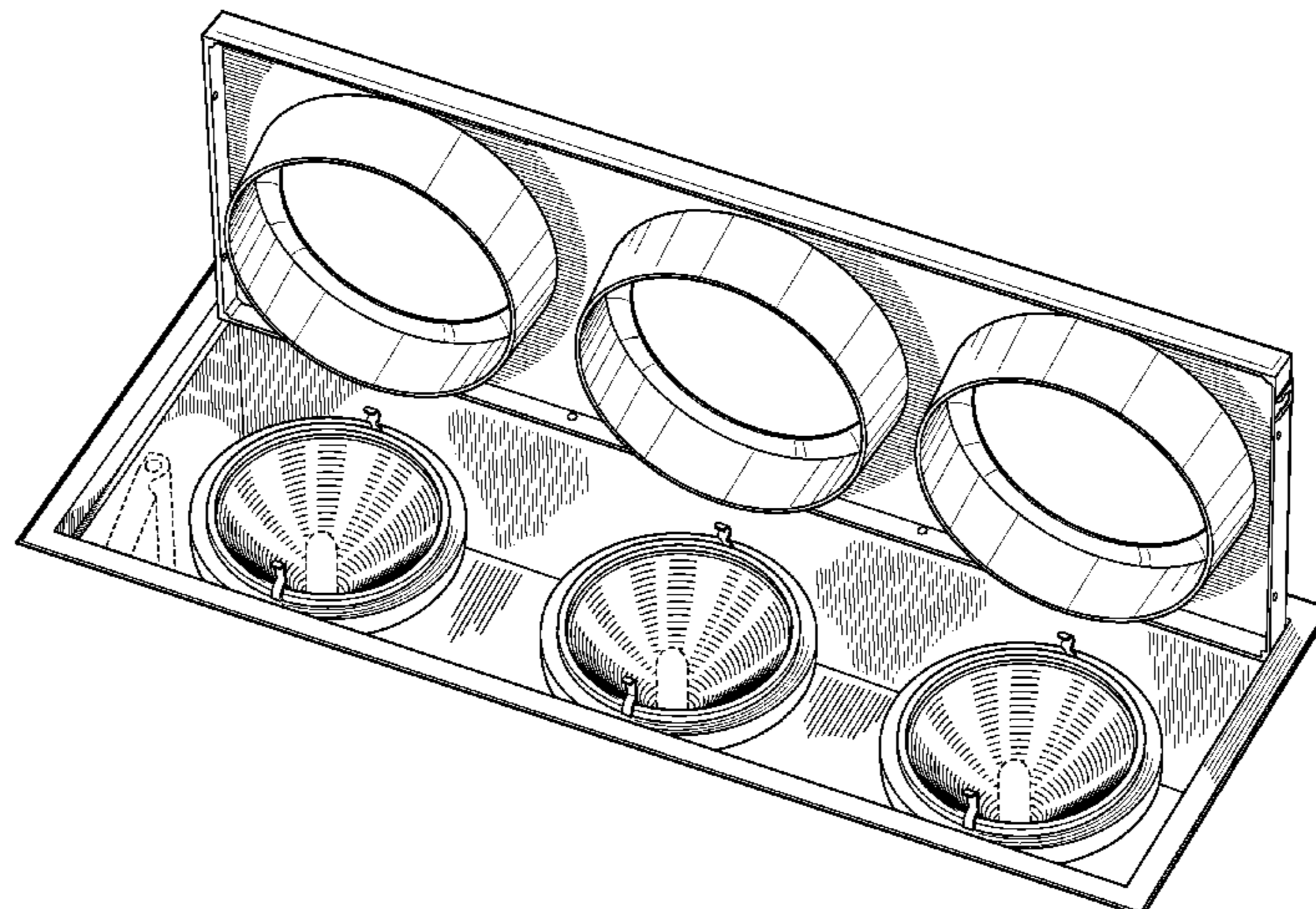
FIG. 8 is a plan view of the tri-light lighting fixture of FIG. 6,
with the light bulb receivers in a center position;

FIG. 9 is an isometric view of the tri-light lighting fixture FIG.
8; and,

FIG. 10 is a perspective view of the tri-light lighting fixture of
FIG. 8, with the light bulb receivers in a center position.

The broken lines shown in the drawings illustrate unclaimed
portions of the article and form no part of the claimed design.

1 Claim, 10 Drawing Sheets



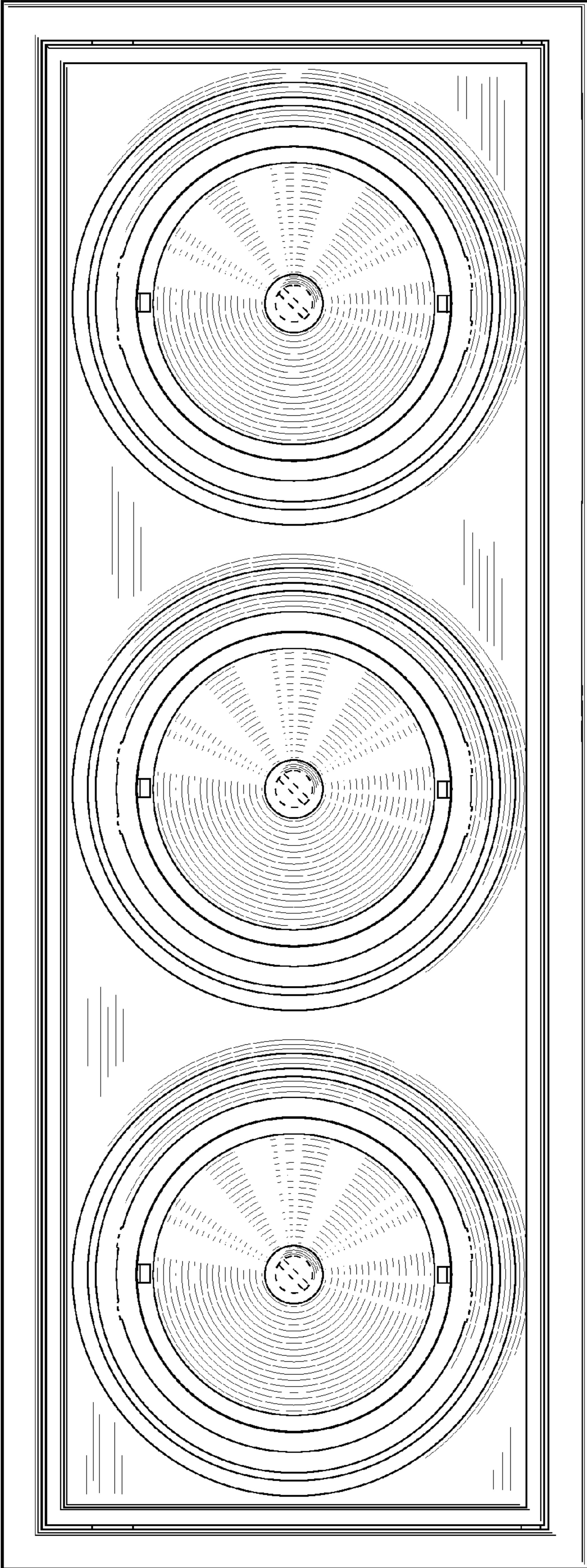


Fig. 1

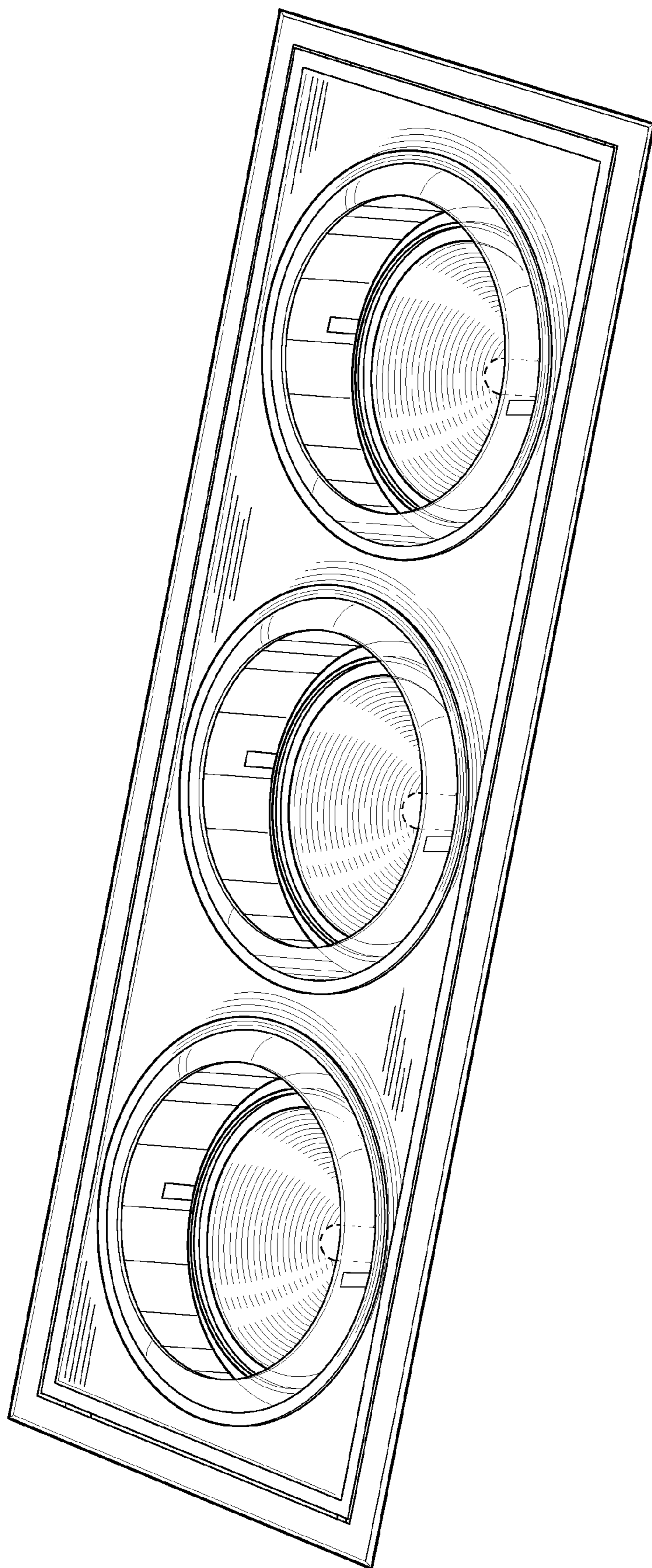


Fig. 2

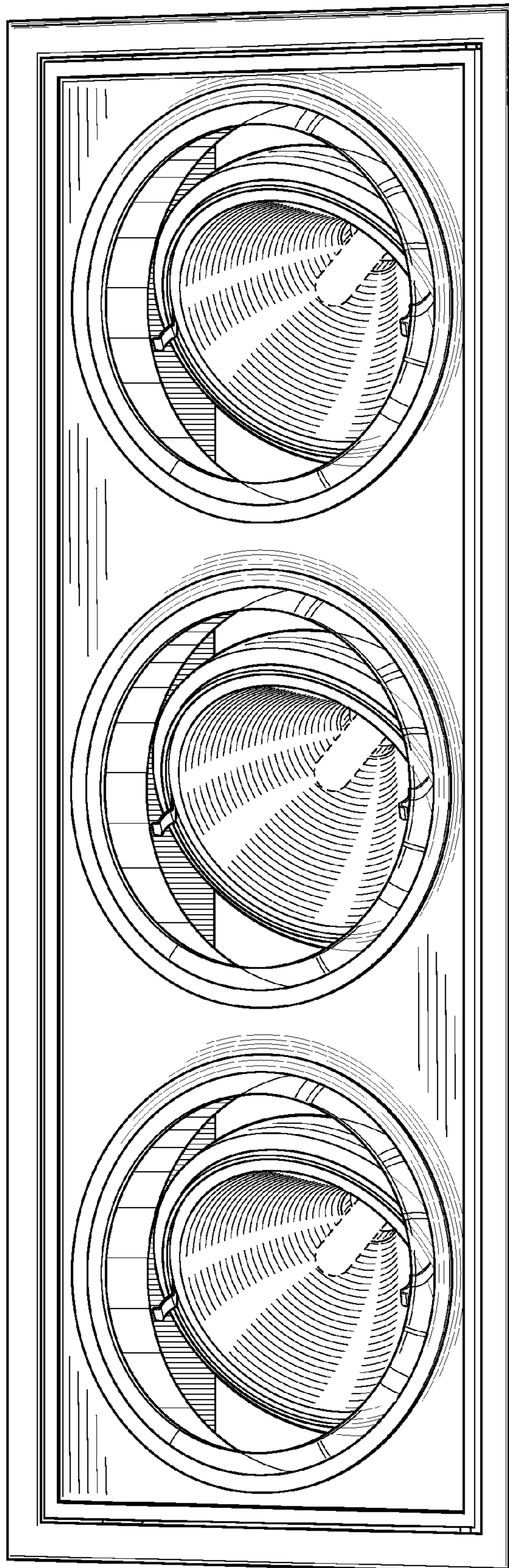


Fig. 3

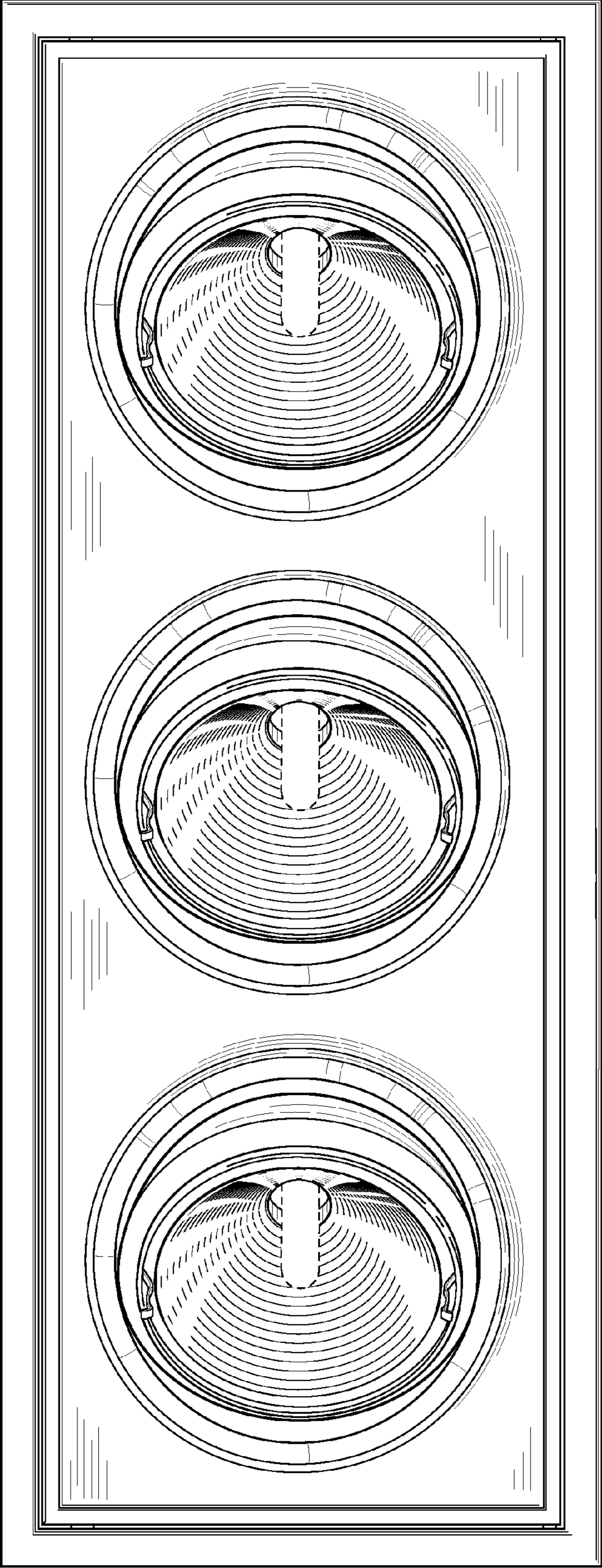


Fig. 4

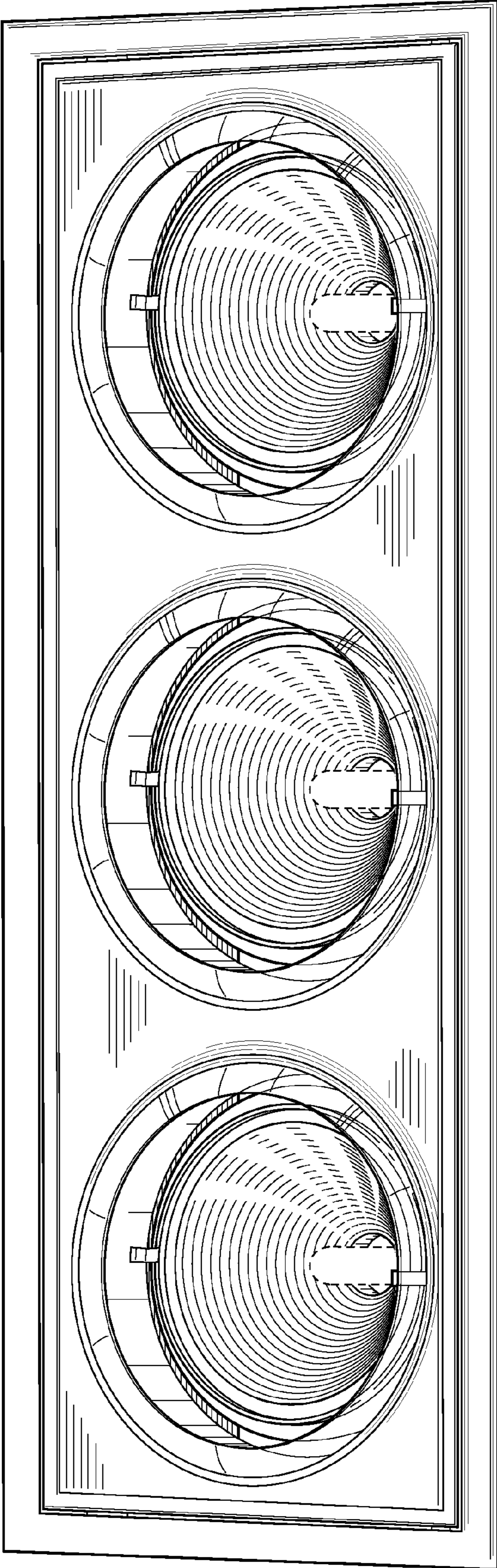


Fig. 5

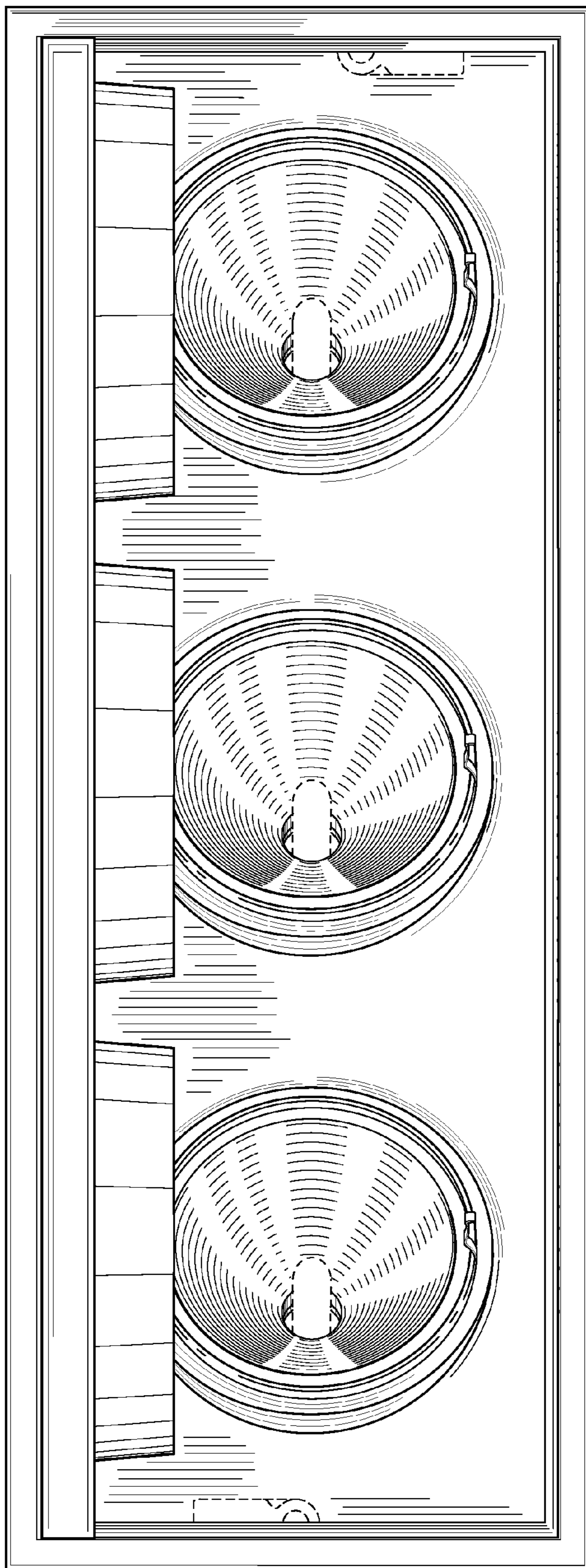


Fig. 6

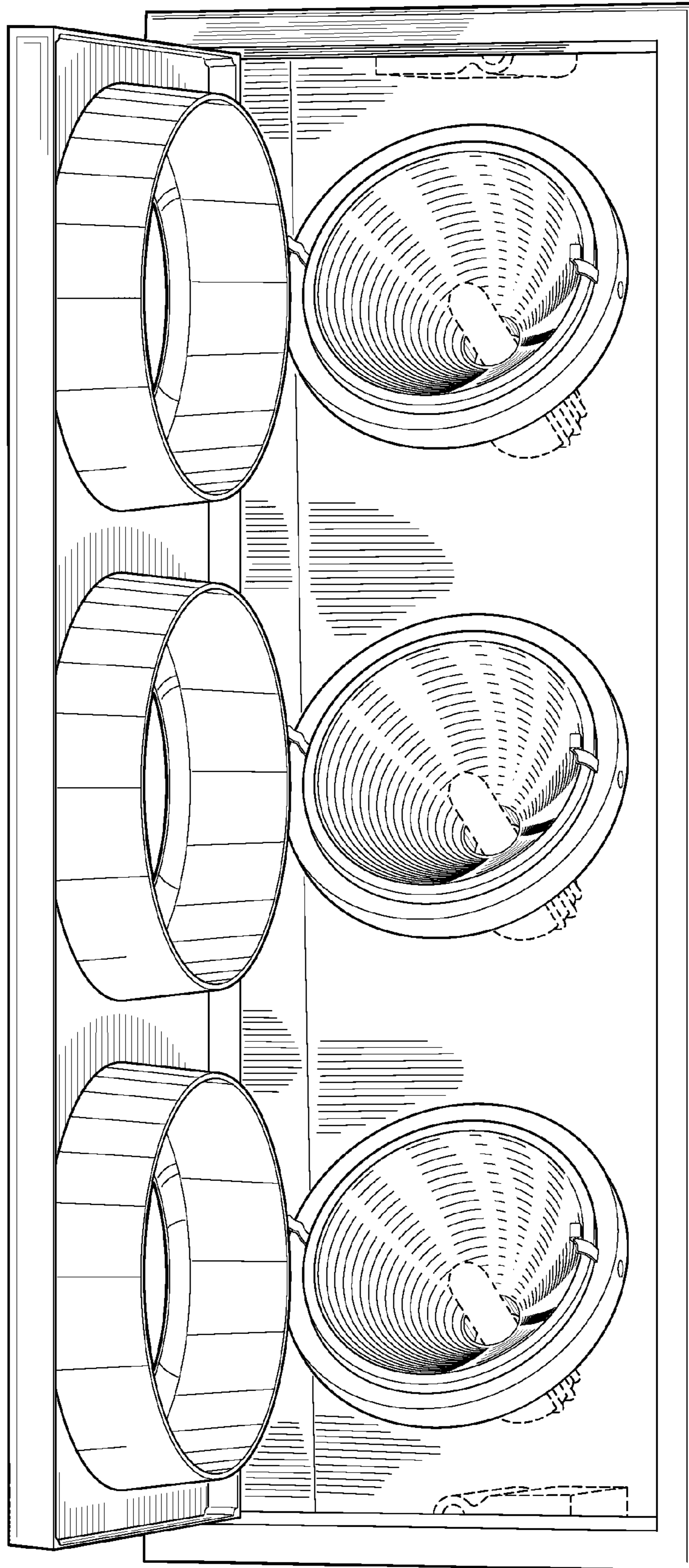


Fig. 7

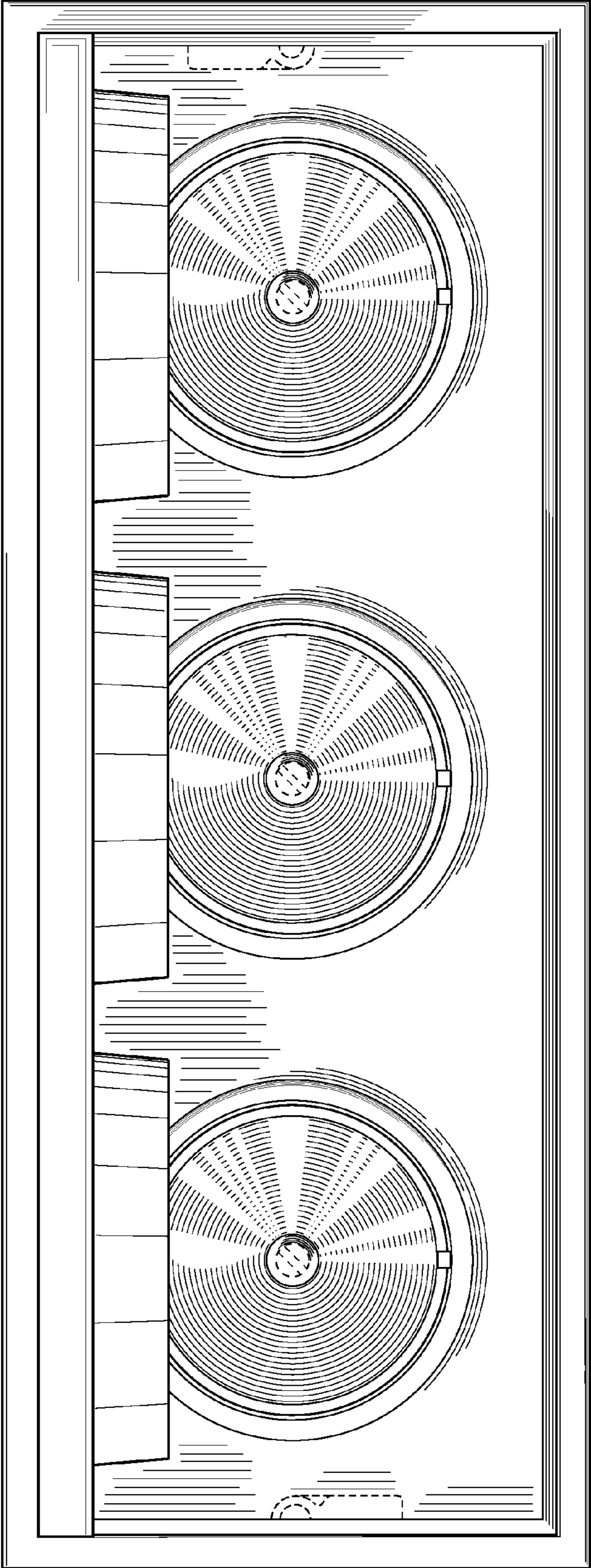


Fig. 8

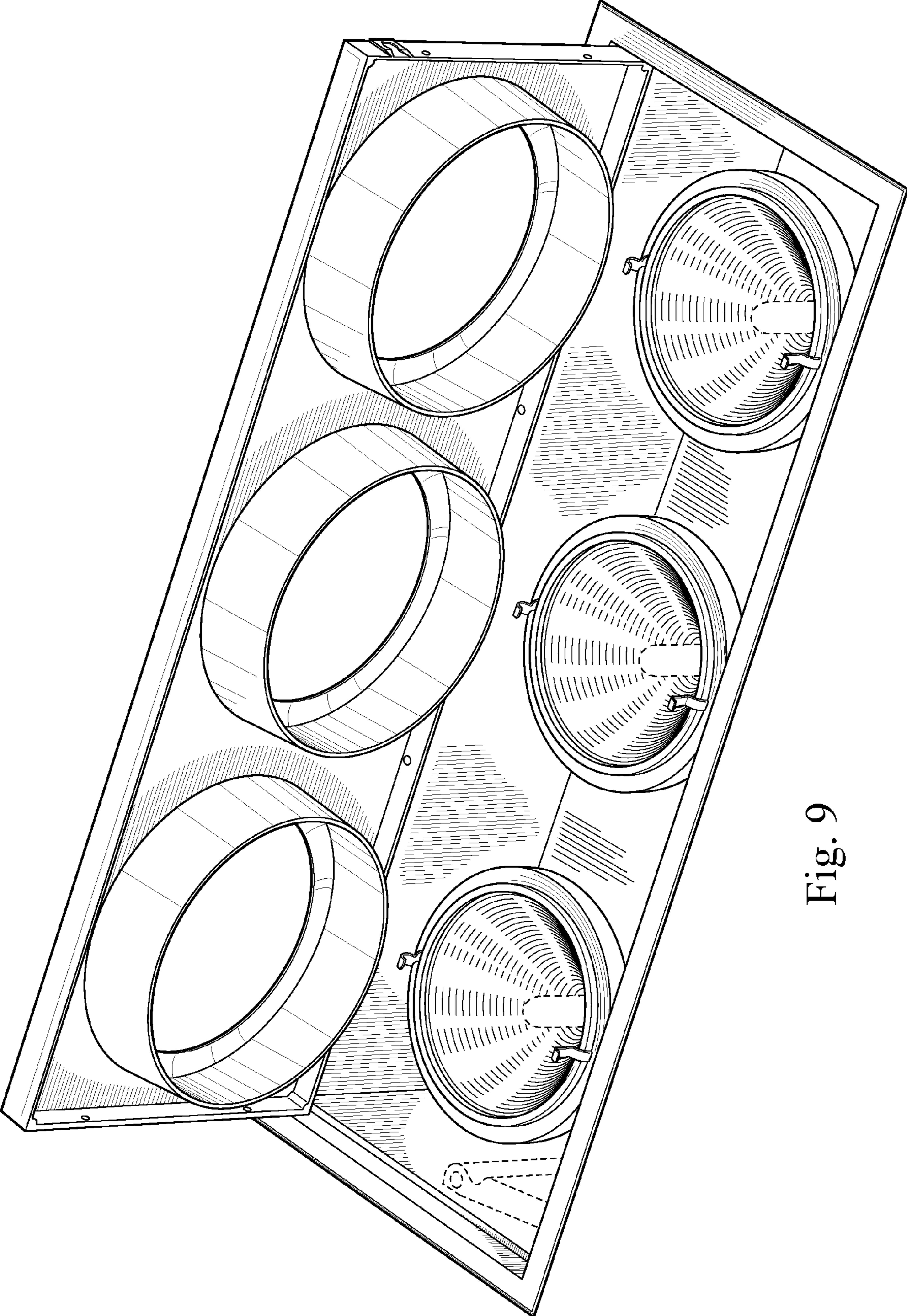


Fig. 9

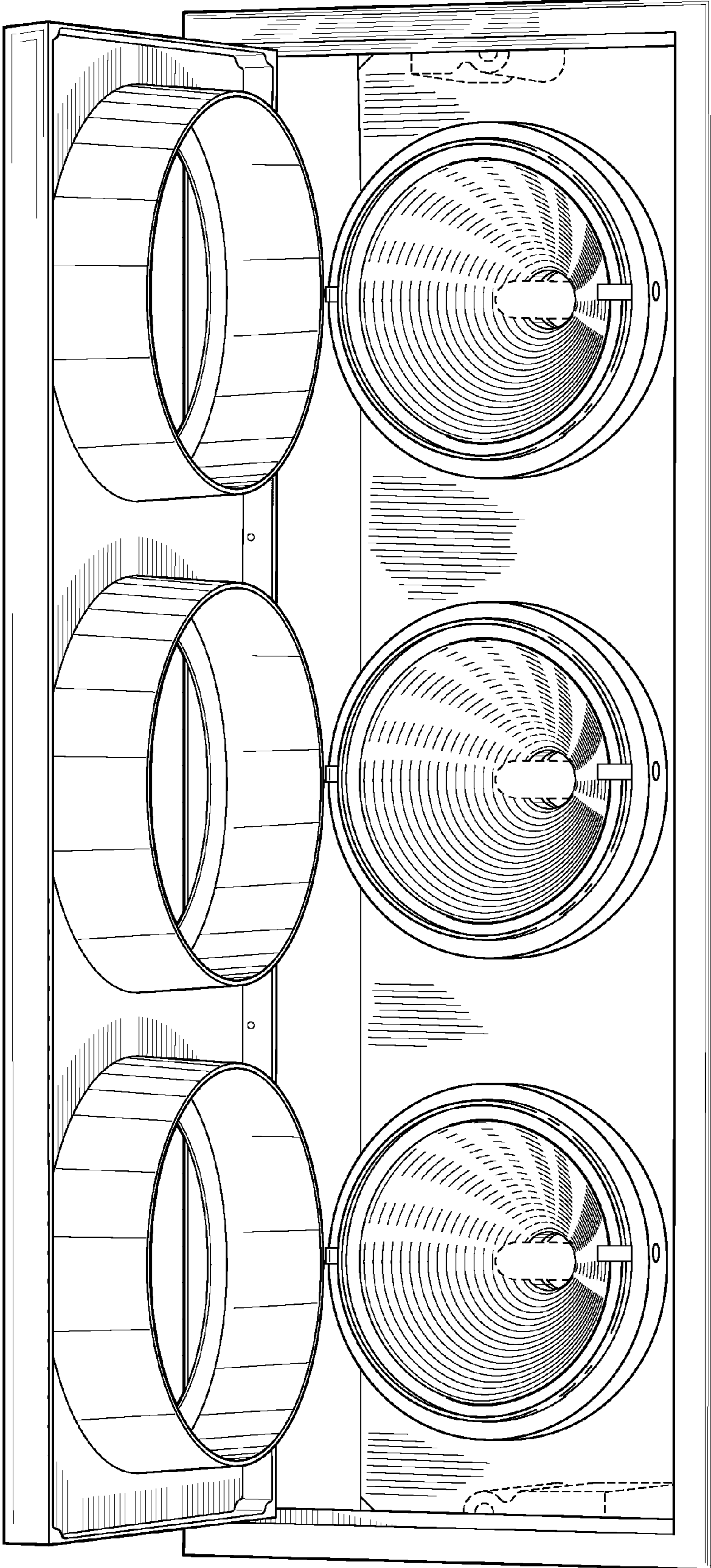


Fig. 10

UNITED STATES PATENT AND TRADEMARK OFFICE
CERTIFICATE OF CORRECTION

PATENT NO. : Des. 578,237 S
APPLICATION NO. : 29/249574
DATED : October 7, 2008
INVENTOR(S) : Hartmut S. Engel

Page 1 of 1

It is certified that error appears in the above-identified patent and that said Letters Patent is hereby corrected as shown below:

Title page

Item # (76) should read --Inventor: Hartmut S. Engel, Monrepos Strasse 7, Ludwigsburg (DE) 71634--

Signed and Sealed this

Thirtieth Day of December, 2008

A handwritten signature in black ink that reads "Jon W. Dudas". The signature is written in a cursive style with a large, looped initial "J".

JON W. DUDAS

Director of the United States Patent and Trademark Office