



US00D578236S

(12) **United States Design Patent**
Dalton

(10) **Patent No.:** **US D578,236 S**
(45) **Date of Patent:** **** Oct. 7, 2008**

(54) **FLASHLIGHT**

4,939,628 A 7/1990 Wang

(75) Inventor: **Matthew B. Dalton**, Elkins Park, PA
(US)

(Continued)

(73) Assignee: **Streamlight, Inc.**, Eagleville, PA (US)

Streamlight, Inc., LED Lamp assembly, Drawing No.: C130143,
Mar. 1997.

(**) Term: **14 Years**

(Continued)

(21) Appl. No.: **29/279,861**

(22) Filed: **May 9, 2007**

Primary Examiner—Ian Simmons

Assistant Examiner—Dana L Sipos

(74) *Attorney, Agent, or Firm*—Stephen H. Eland; Dann,
Dorfman, Herrell and Skillman

(51) **LOC (8) Cl.** **26-02**

(52) **U.S. Cl.** **D26/49**

(58) **Field of Classification Search** D26/37,
D26/46, 48–49; 362/157, 159, 194–196,
362/202–206, 208

See application file for complete search history.

(57) **CLAIM**

The ornamental design for a flashlight, as shown and
described.

(56) **References Cited**

DESCRIPTION

U.S. PATENT DOCUMENTS

1,106,828 A *	8/1914	Monaghan	362/203
1,264,520 A	4/1918	Holmes		
1,487,983 A	3/1924	Stiriss		
1,607,647 A	11/1926	Seikot		
1,623,807 A	4/1927	Oakley		
1,810,524 A	6/1931	Lyhne		
1,919,024 A	7/1933	Abbotts		
2,183,861 A	12/1939	Cotter, Sr.		
D185,496 S	6/1959	Hansen		
2,966,872 A	1/1961	Schmocker		
3,041,717 A	7/1962	Brown		
3,293,895 A	12/1966	Leonard et al.		
3,835,272 A	9/1974	Wisembaker		
3,887,803 A	6/1975	Savage		
D238,604 S	1/1976	Brindley		
4,176,263 A	11/1979	Rousseau		
4,228,485 A	10/1980	Hubbard		
4,290,095 A	9/1981	Schmidt		
4,346,329 A	8/1982	Schmidt		
4,358,708 A	11/1982	Silva et al.		
4,417,299 A	11/1983	Rupp		
4,487,983 A	12/1984	Miller et al.		
4,841,417 A	6/1989	Maglica et al.		
4,897,769 A	1/1990	Lang		

FIG. 1 is a bottom, front, right side perspective view of a
flashlight according to the present invention;

FIG. 2 is a top, rear, left side perspective view thereof

FIG. 3 is a right side elevation view thereof, the left side
elevation view being a mirror image;

FIG. 4 is a front elevation view thereof;

FIG. 5 is a bottom plan view thereof;

FIG. 6 is a top plan view thereof;

FIG. 7 is a bottom, front, right side perspective view of a
second embodiment of the flashlight of FIG. 1;

FIG. 8 is a top, rear, left side perspective view thereof

FIG. 9 is a right side elevation view thereof, the left side
elevation view being a mirror image;

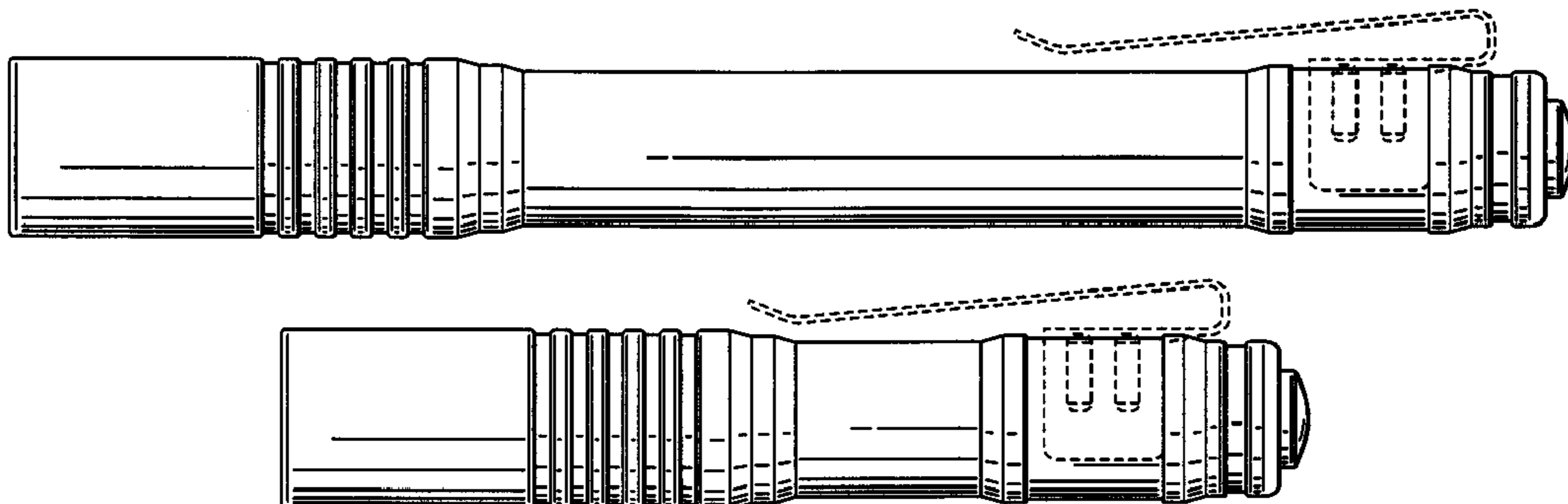
FIG. 10 is a front elevation view thereof;

FIG. 11 is a bottom plan view thereof; and,

FIG. 12 is a top plan view thereof.

The broken lines are included for the purpose of illustrating
an optional clip and form no part of the claimed design.

1 Claim, 4 Drawing Sheets



US D578,236 S

Page 2

U.S. PATENT DOCUMENTS

5,008,784	A	4/1991	Wang	6,523,972	B2	2/2003	Sharrah et al.
5,131,775	A	7/1992	Chen	D485,629	S	1/2004	Chan
5,197,796	A	3/1993	Moore	D486,930	S	2/2004	Stoddard et al.
5,303,133	A	4/1994	Wagner	6,811,280	B1	11/2004	Sharrah
D346,871	S	5/1994	Zeller	D502,277	S *	2/2005	Chen D26/49
D349,354	S	8/1994	Yau	6,857,758	B1	2/2005	Sharrah
5,499,172	A	3/1996	Shiau	D507,839	S	7/2005	Man
5,642,932	A	7/1997	Matthews	D508,748	S	8/2005	Man
D403,451	S	12/1998	Ting	D521,164	S	5/2006	Sharrah
D407,508	S	3/1999	Chiu	7,152,995	B2 *	12/2006	Chapman 362/206
D418,235	S	12/1999	Houplain	D544,622	S *	6/2007	Cheng D26/46
D419,704	S	1/2000	Ting	D548,861	S *	8/2007	Chapman D26/37
D429,534	S	8/2000	Sengsouvanh et al.	D548,863	S *	8/2007	Shiu D26/37
D430,321	S	8/2000	Sharrah	D553,776	S *	10/2007	Liu D26/49
6,296,371	B1	10/2001	Shiau	D557,839	S *	12/2007	Shiu D26/37
D450,873	S	11/2001	Opolka	D557,840	S *	12/2007	Shiu D26/37
D452,024	S	12/2001	Sharrah				
6,347,878	B1	2/2002	Shiao				
6,402,340	B1	6/2002	Sharrah et al.				
6,471,064	B2	10/2002	Gordon				
D465,865	S	11/2002	Hamilton et al.				
6,491,409	B1	12/2002	Sharrah				

OTHER PUBLICATIONS

Eveready Lighting products, Catalog, Spring 1983, 24 Pages.
Promo-lite Brochure, published before May 2007, 4 Pages.
Schneider, "Collecting Flashlight With Value Guide", Schiffer Publishing Ltd, 1996, 23 Pages.

* cited by examiner

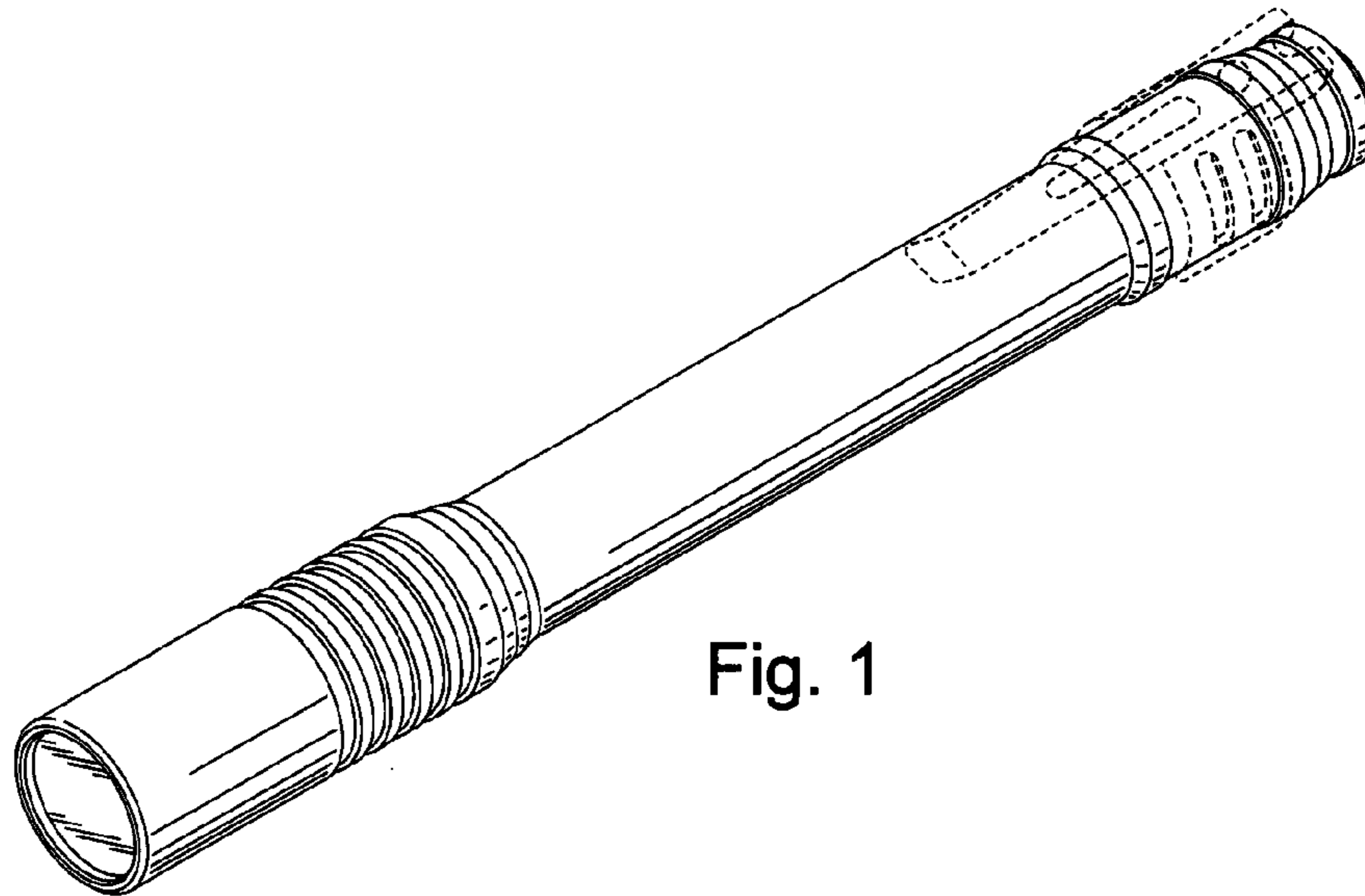


Fig. 1

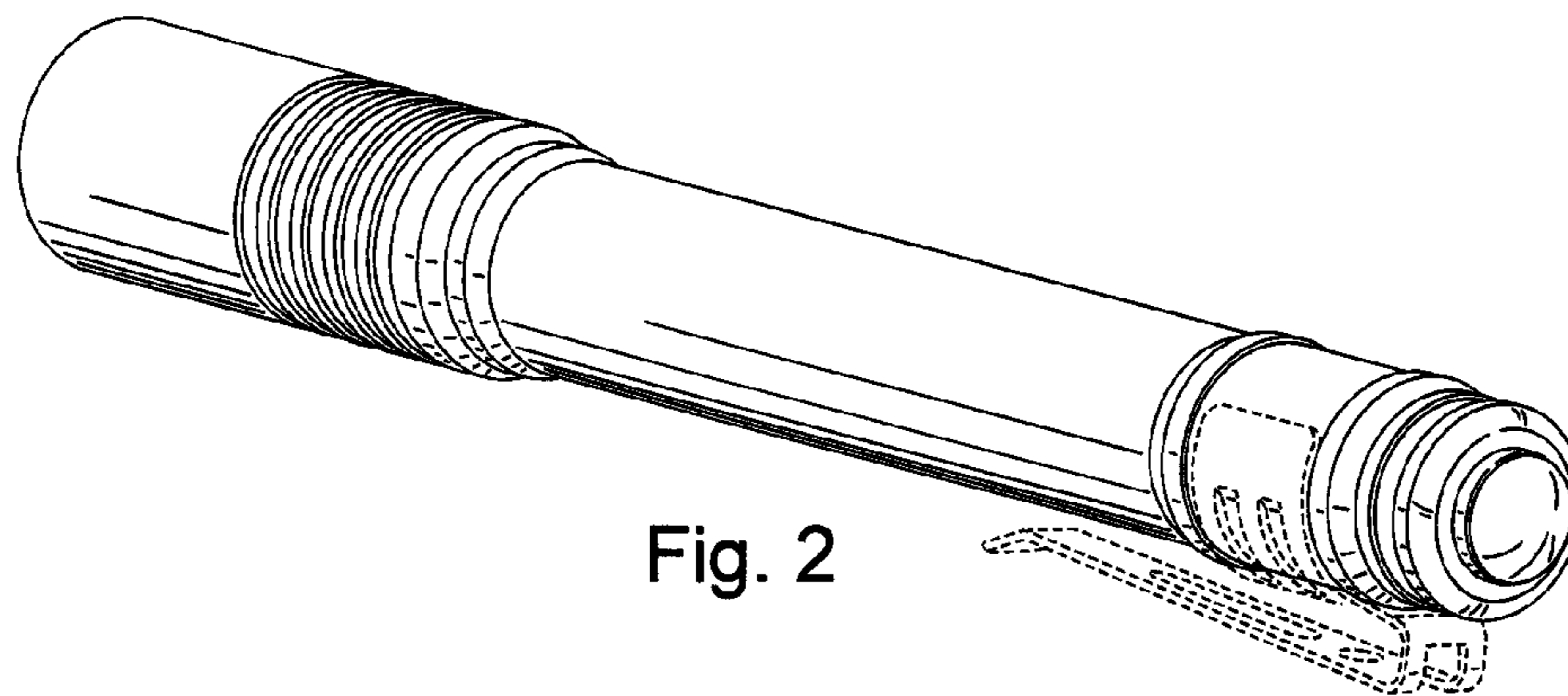


Fig. 2

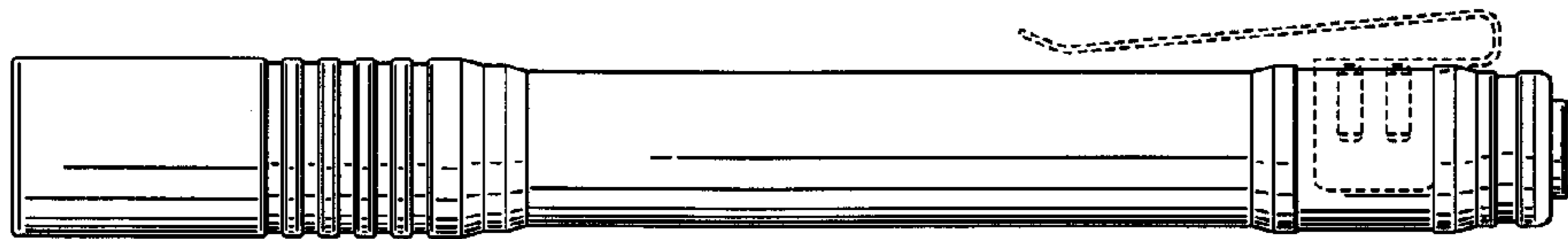


Fig. 3

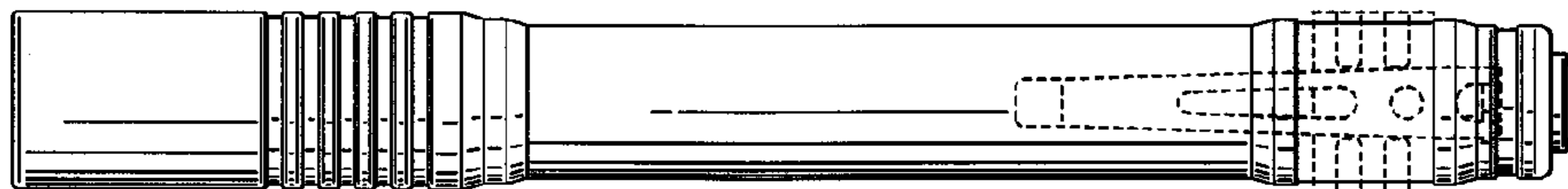


Fig. 4

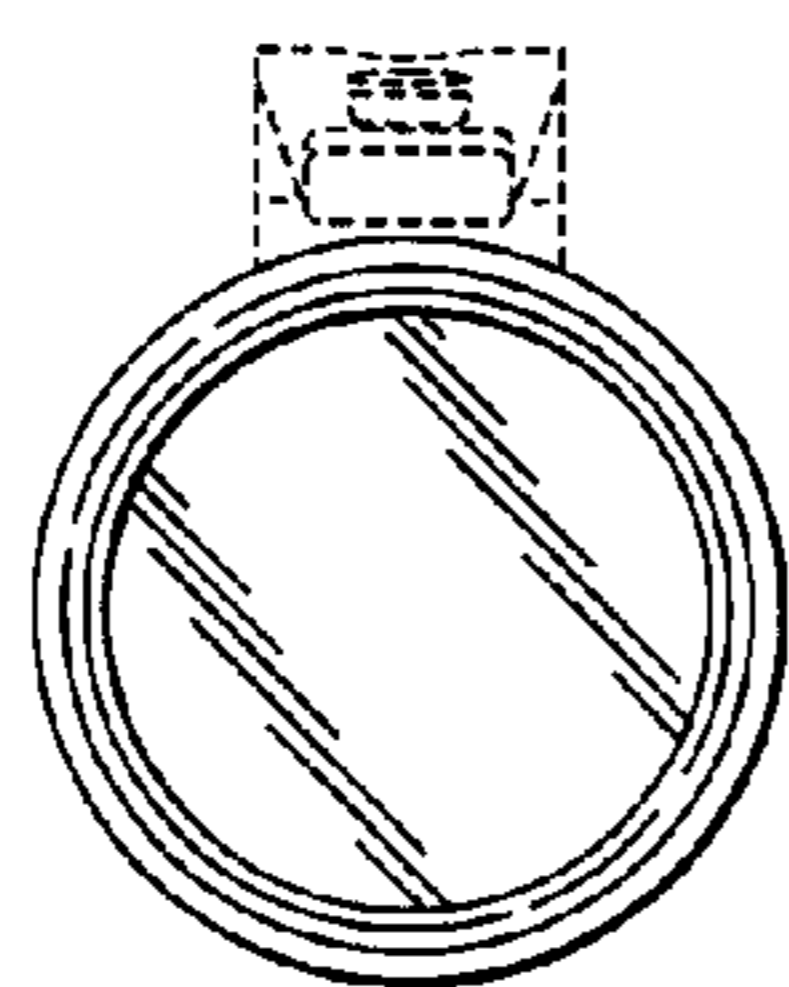


Fig. 5

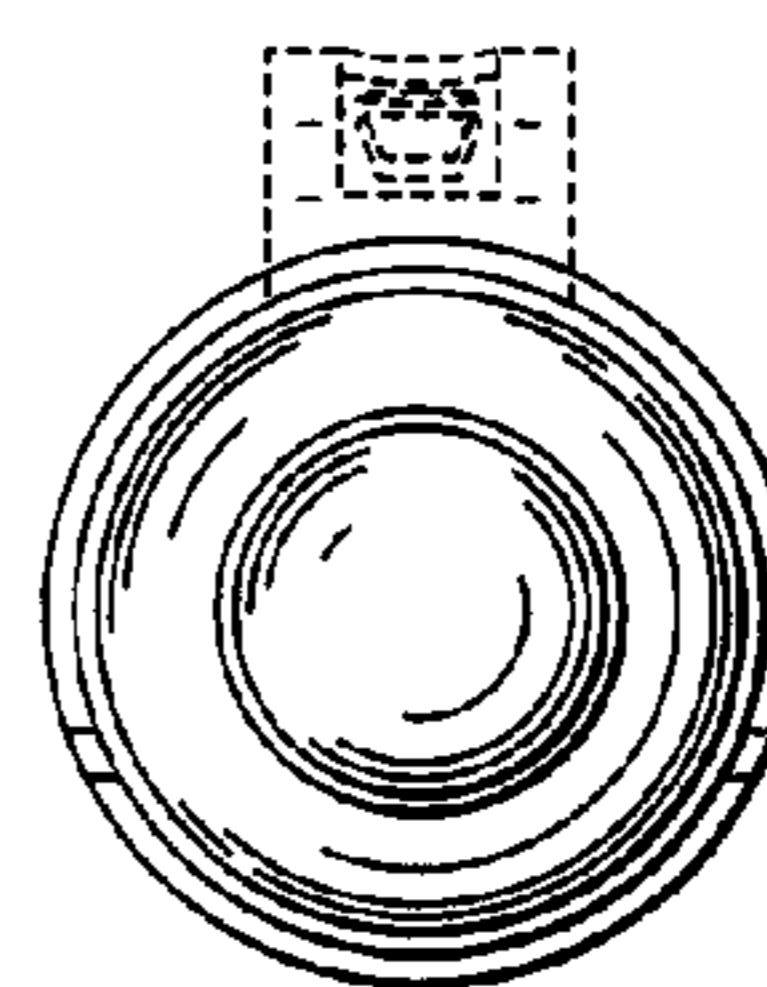


Fig. 6

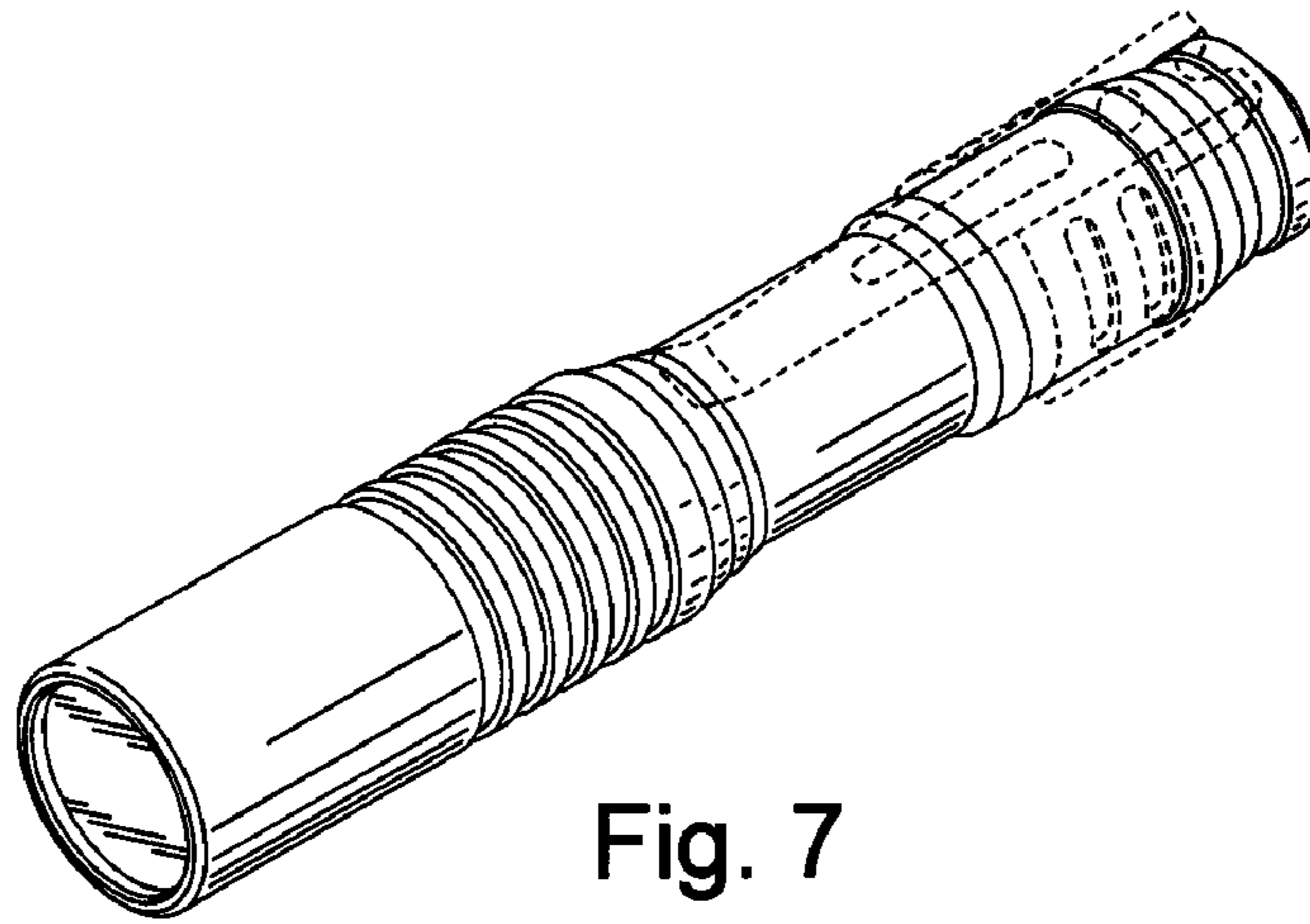


Fig. 7

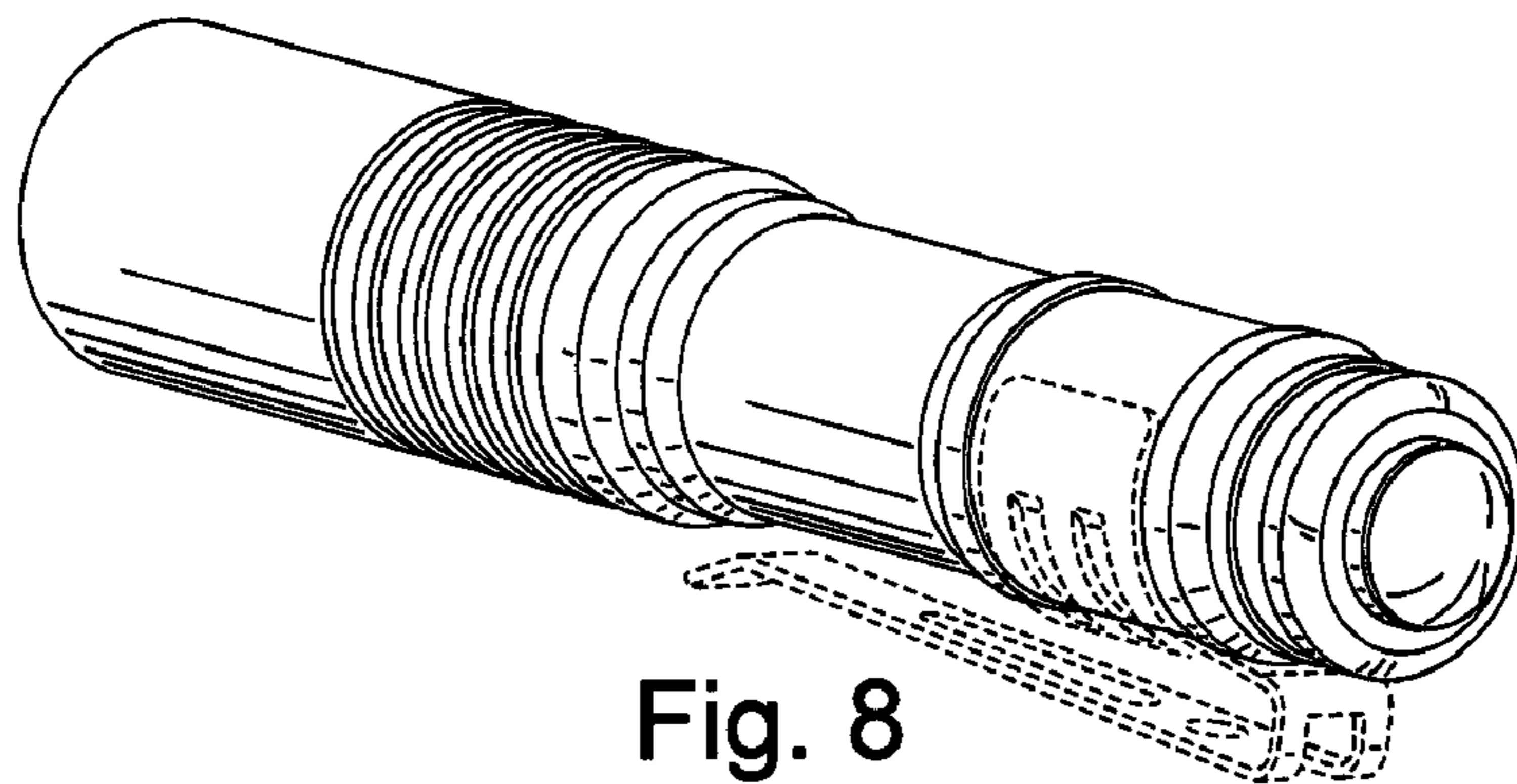


Fig. 8

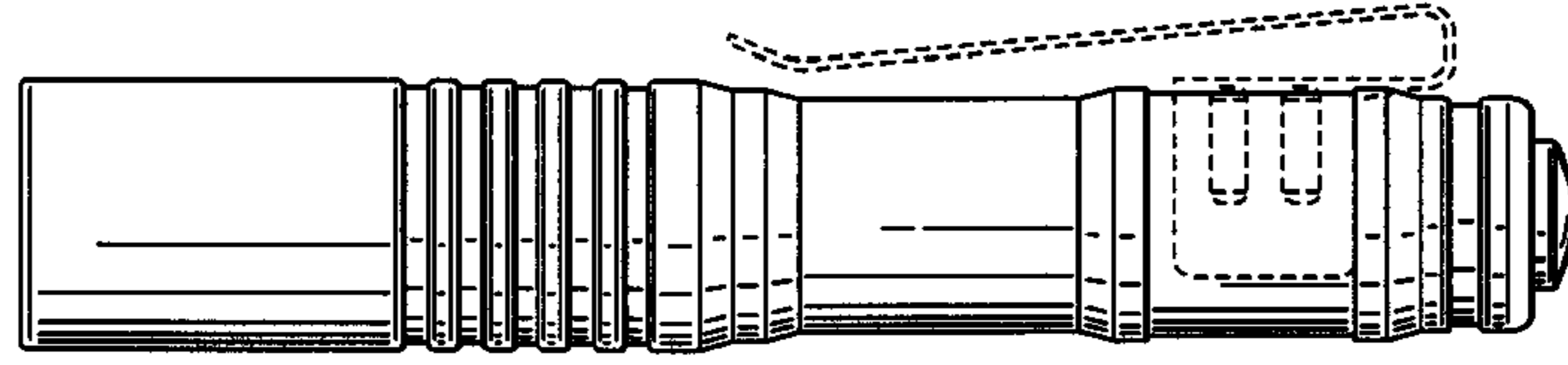


Fig. 9

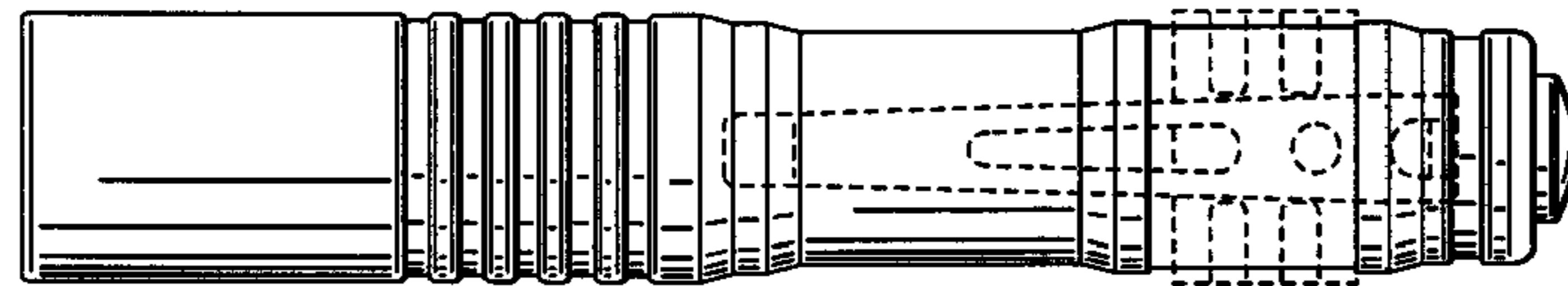


Fig. 10

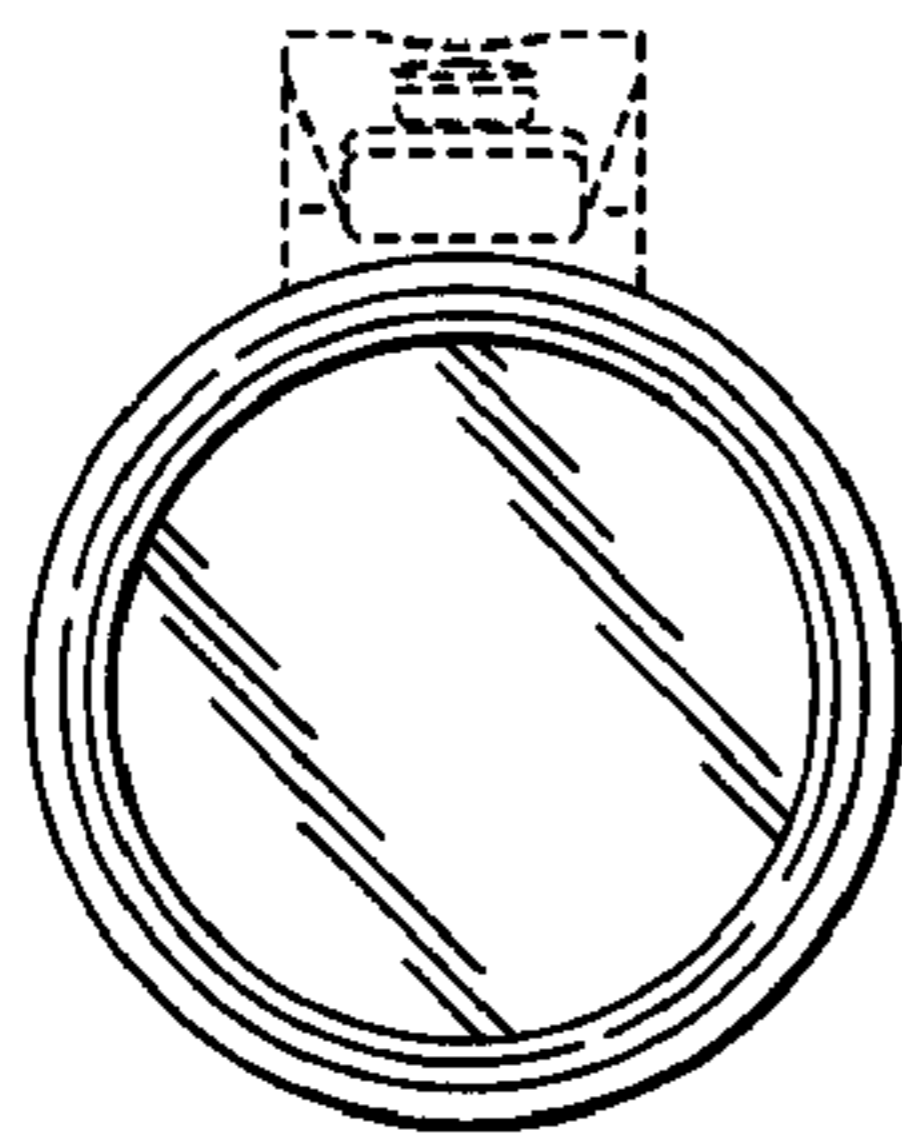


Fig. 11

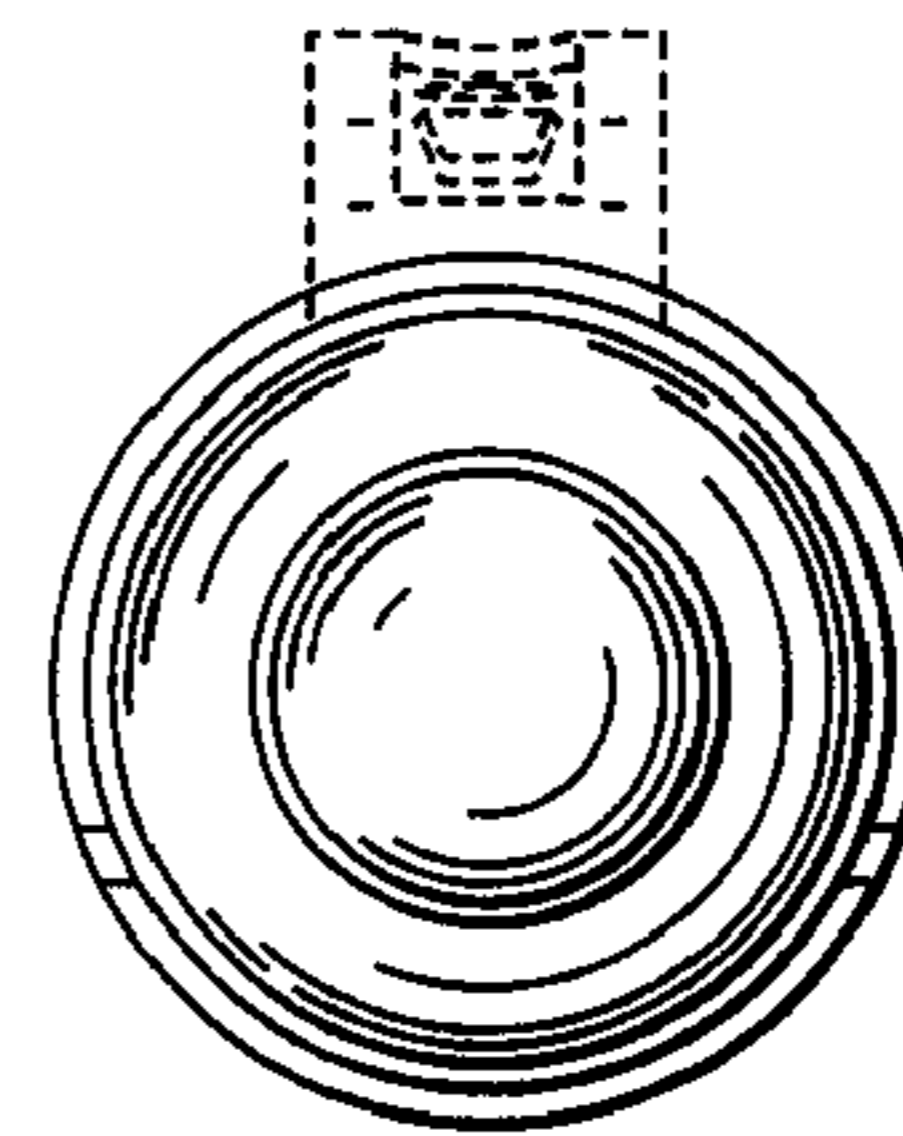


Fig. 12