



US00D578235S

(12) **United States Design Patent**
Yang

(10) **Patent No.:** **US D578,235 S**

(45) **Date of Patent:** **** Oct. 7, 2008**

(54) **AUTOMOTIVE LAMP**

D563,576 S * 3/2008 Hanaoka D26/28

* cited by examiner

(76) **Inventor:** **Hsiu Pen Yang**, No. 427 Sec. 2, Wenhua Road, Panchiao, Taipei (TW)

Primary Examiner—Marcus A. Jackson

(74) *Attorney, Agent, or Firm*—Charles R. Sutton

(**) **Term:** **14 Years**

(21) **Appl. No.:** **29/307,437**

(57) **CLAIM**

(22) **Filed:** **Apr. 21, 2008**

The ornamental design for an automotive lamp, as shown and described.

(51) **LOC (8) Cl.** **26-06**

DESCRIPTION

(52) **U.S. Cl.** **D26/28**

FIG. 1 is a perspective view of an automotive lamp showing my new design, with the broken lines showing for illustrative purposes only and forming no part of the claimed design;

(58) **Field of Classification Search** D26/28-36;
362/459-468, 475-478, 485-487

See application file for complete search history.

FIG. 2 is a front elevational view thereof;

FIG. 3 is a right side elevational view there;

(56) **References Cited**

U.S. PATENT DOCUMENTS

D560,291 S * 1/2008 Koyama D26/28

D560,832 S * 1/2008 Hsu D26/28

D561,358 S * 2/2008 Tachibana D26/28

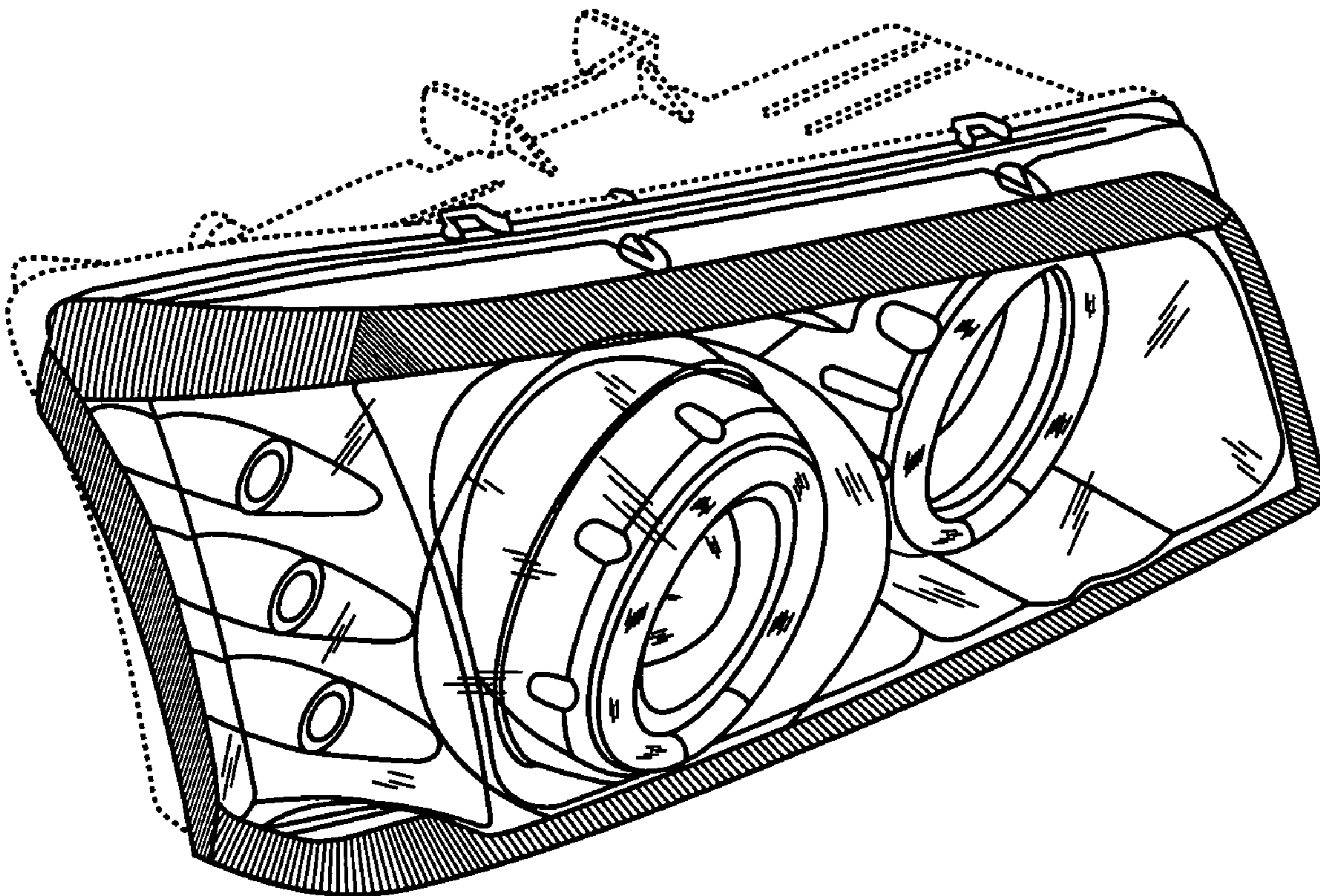
D561,359 S * 2/2008 Hsu D26/28

FIG. 4 is a left side elevational view thereof;

FIG. 5 is a bottom plan view thereof; and,

FIG. 6 is a top plan view thereof.

1 Claim, 4 Drawing Sheets



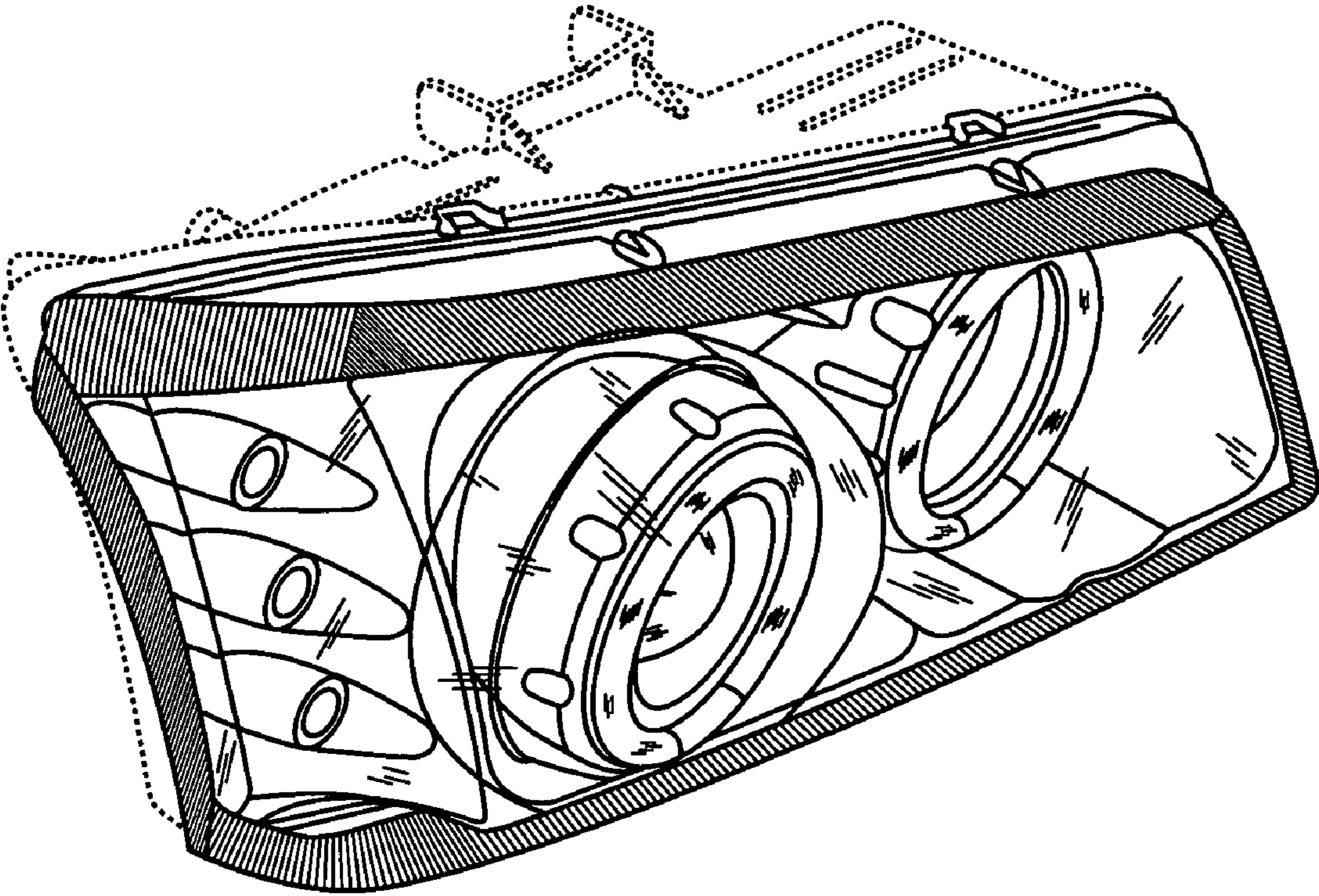


FIG. 1

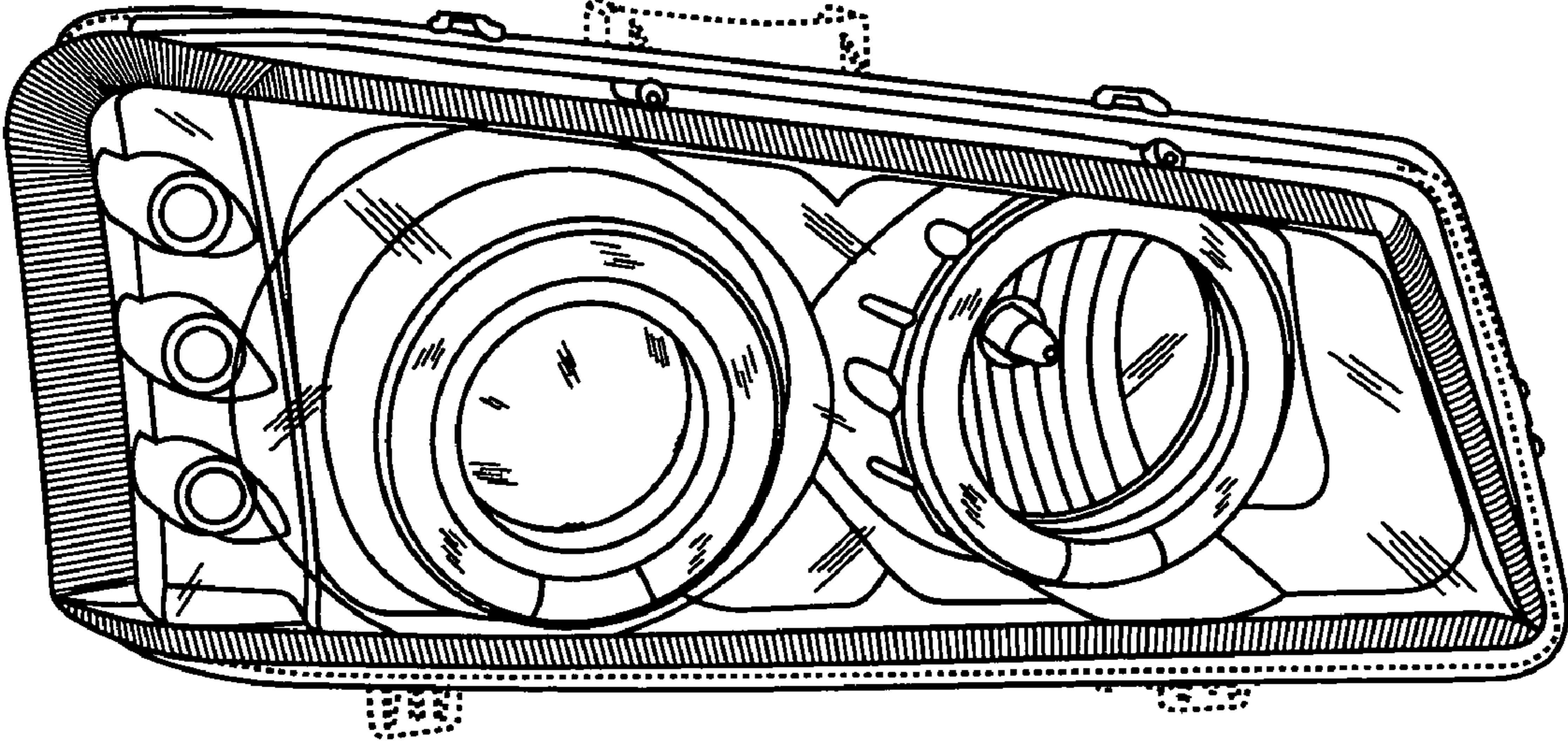


FIG.2

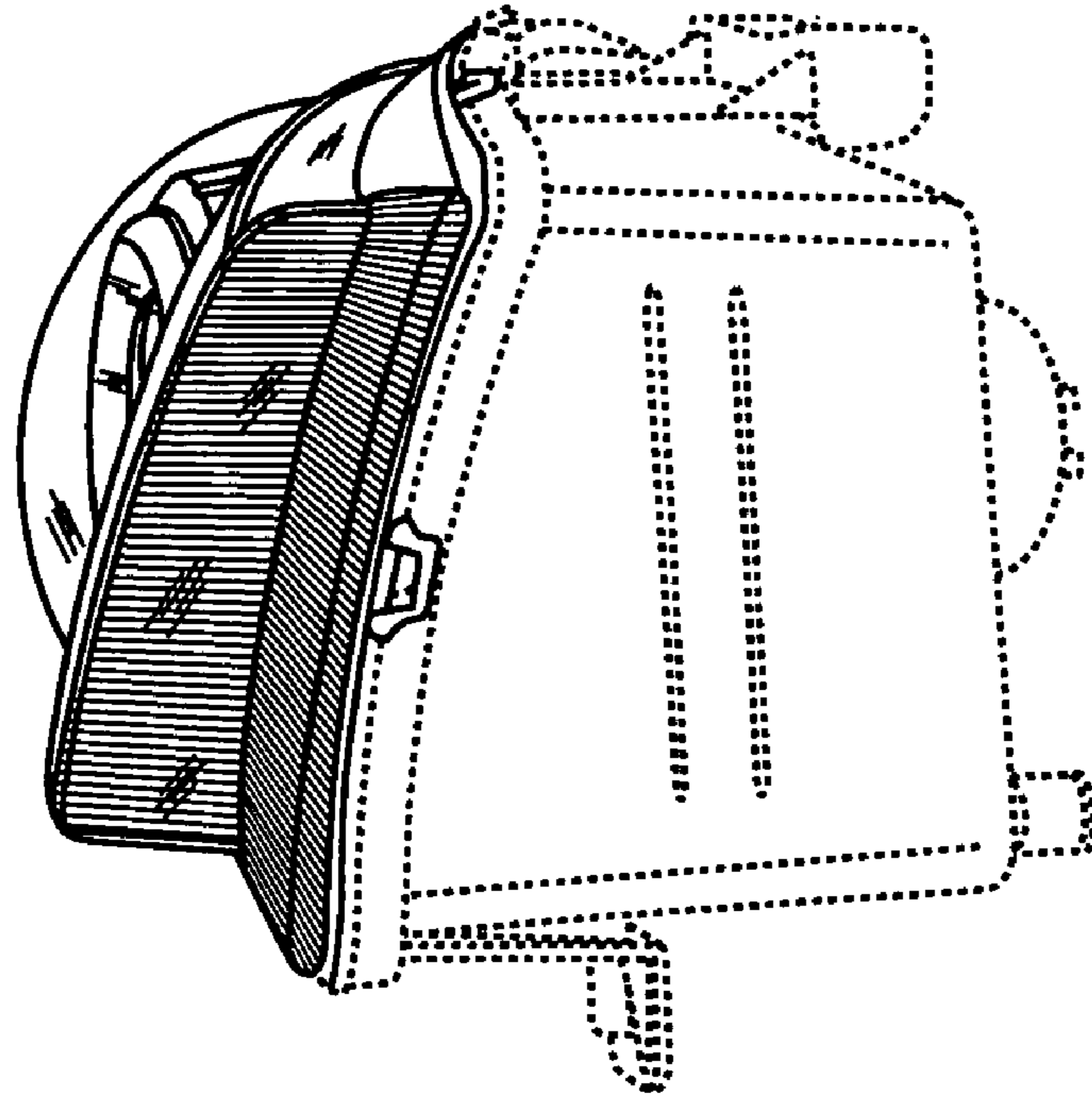


FIG.3

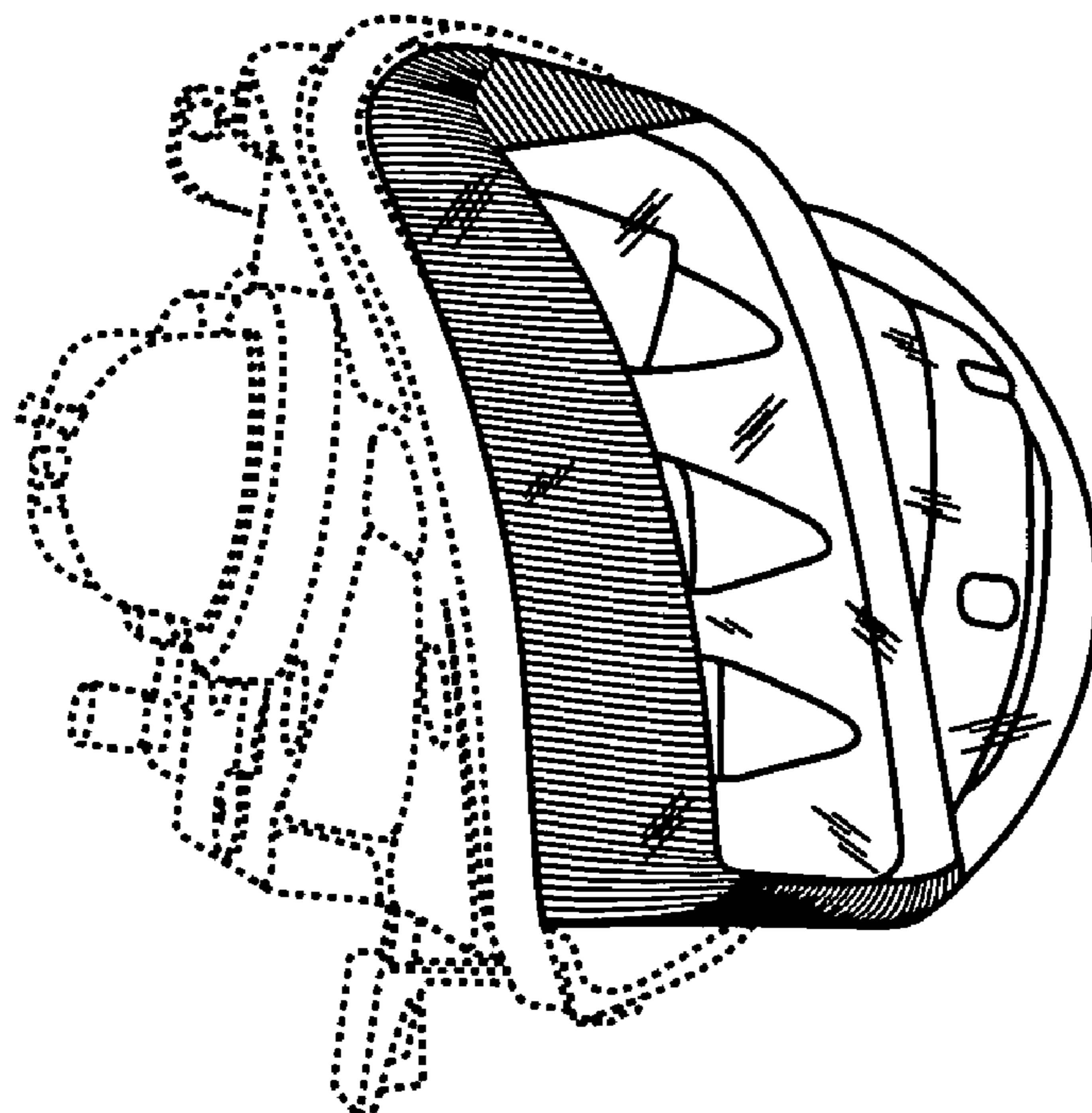


FIG.4

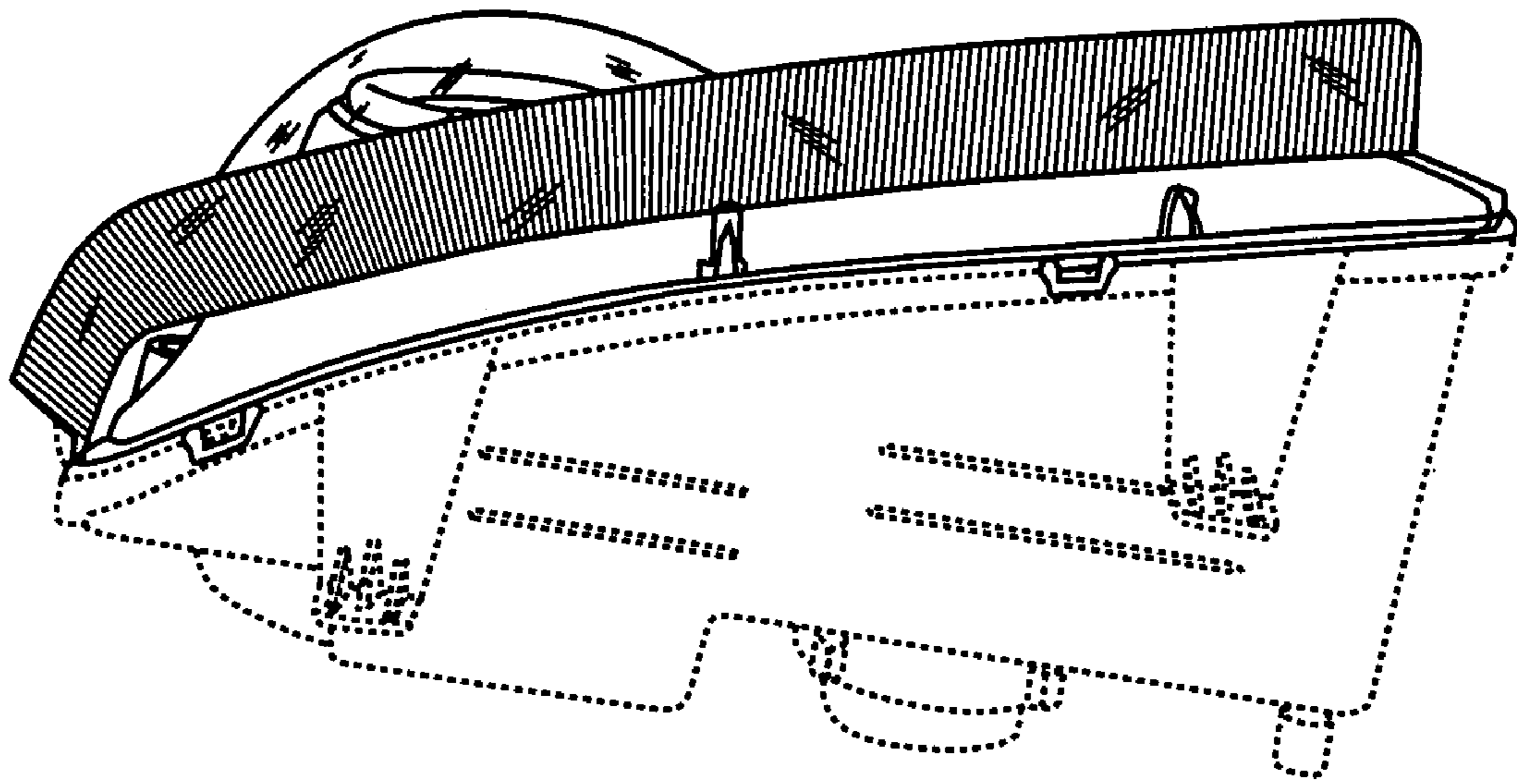


FIG. 5

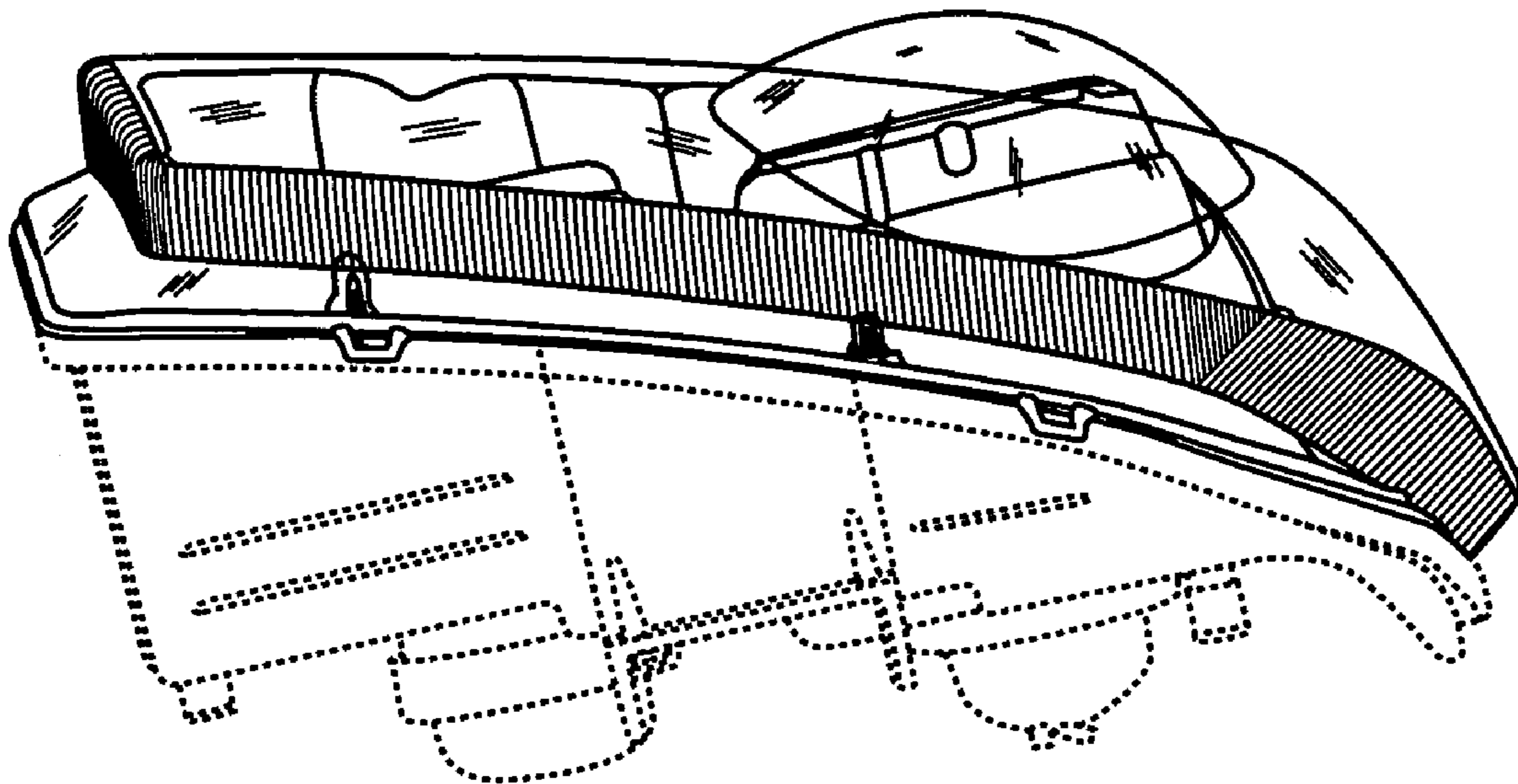


FIG. 6