



US00D578231S

(12) **United States Design Patent**
Huang

(10) **Patent No.:** **US D578,231 S**

(45) **Date of Patent:** **** Oct. 7, 2008**

(54) **SPYDER LED LIGHT OMITTING A LENS**

D561,363 S * 2/2008 Hsu D26/28
D566,869 S * 4/2008 Lin D26/28

(75) Inventor: **Nan Huang Huang**, Rancho Palos
Verdes, CA (US)

* cited by examiner

(73) Assignee: **Grand General Accessories**
Manufacturing, Rancho Dominguez,
CA (US)

Primary Examiner—Marcus A. Jackson

(74) *Attorney, Agent, or Firm*—Thomas I. Rozsa

(**) Term: **14 Years**

(57) **CLAIM**

(21) Appl. No.: **29/301,446**

The ornamental design for a spyder LED light omitting a lens,
as shown and described.

(22) Filed: **Feb. 28, 2008**

DESCRIPTION

(51) **LOC (8) Cl.** **26-06**

FIG. 1 is a top perspective view of a spyder LED light omitting
a lens, showing my design;

(52) **U.S. Cl.** **D26/28**

FIG. 2 is a top plan view;

(58) **Field of Classification Search** D26/28–36;
362/459–468, 475–478, 485–487

FIG. 3 is a bottom plan view;

See application file for complete search history.

FIG. 4 is a front elevational view;

FIG. 5 is a rear elevational view;

(56) **References Cited**

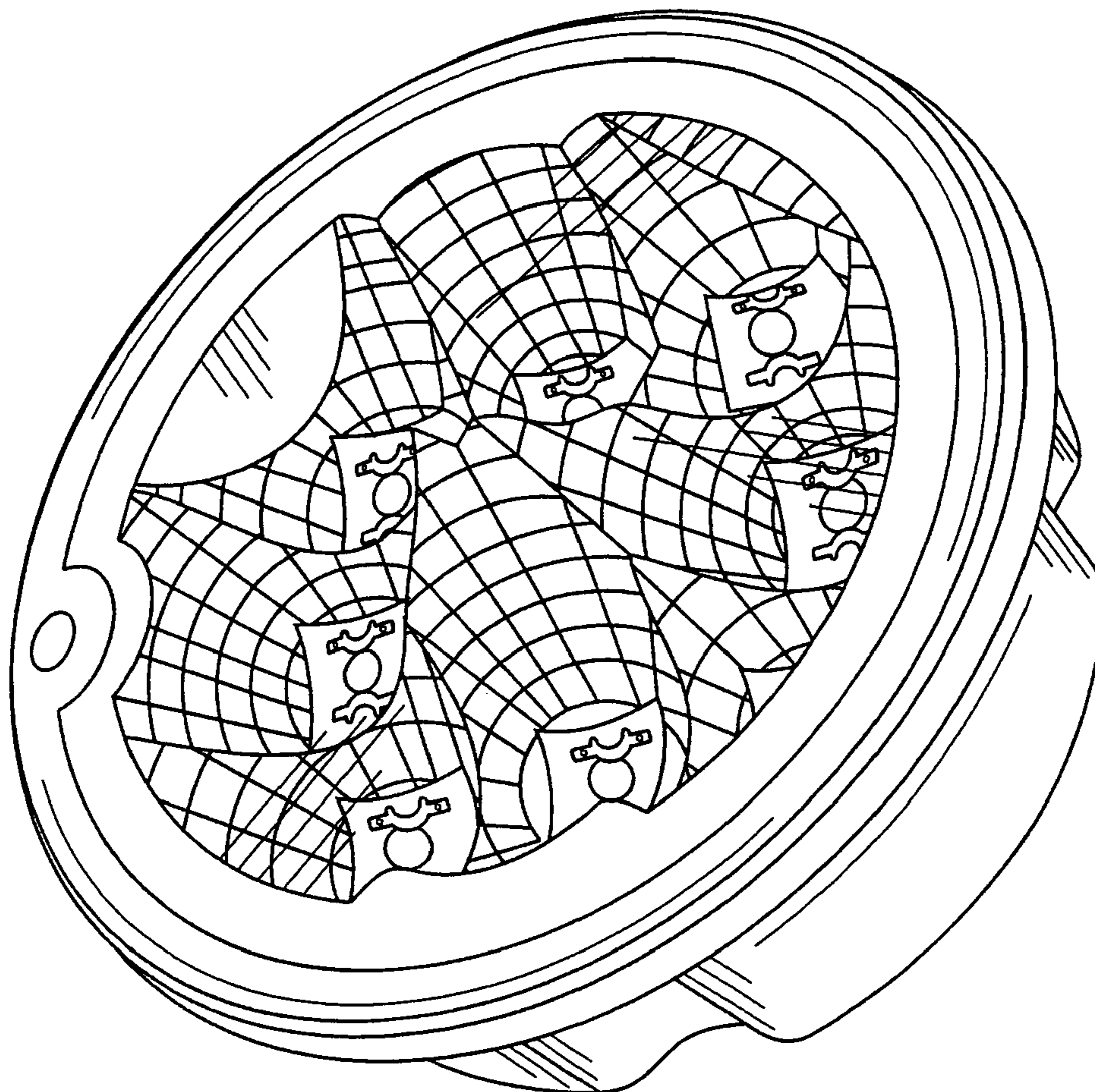
FIG. 6 is a right side view when viewed from the right side;
and,

U.S. PATENT DOCUMENTS

FIG. 7 is a left side view when viewed from the left side.

D530,840 S * 10/2006 Lin D26/28
D532,130 S * 11/2006 Yeh D26/28
D551,364 S * 9/2007 Hoffman D26/28

1 Claim, 5 Drawing Sheets



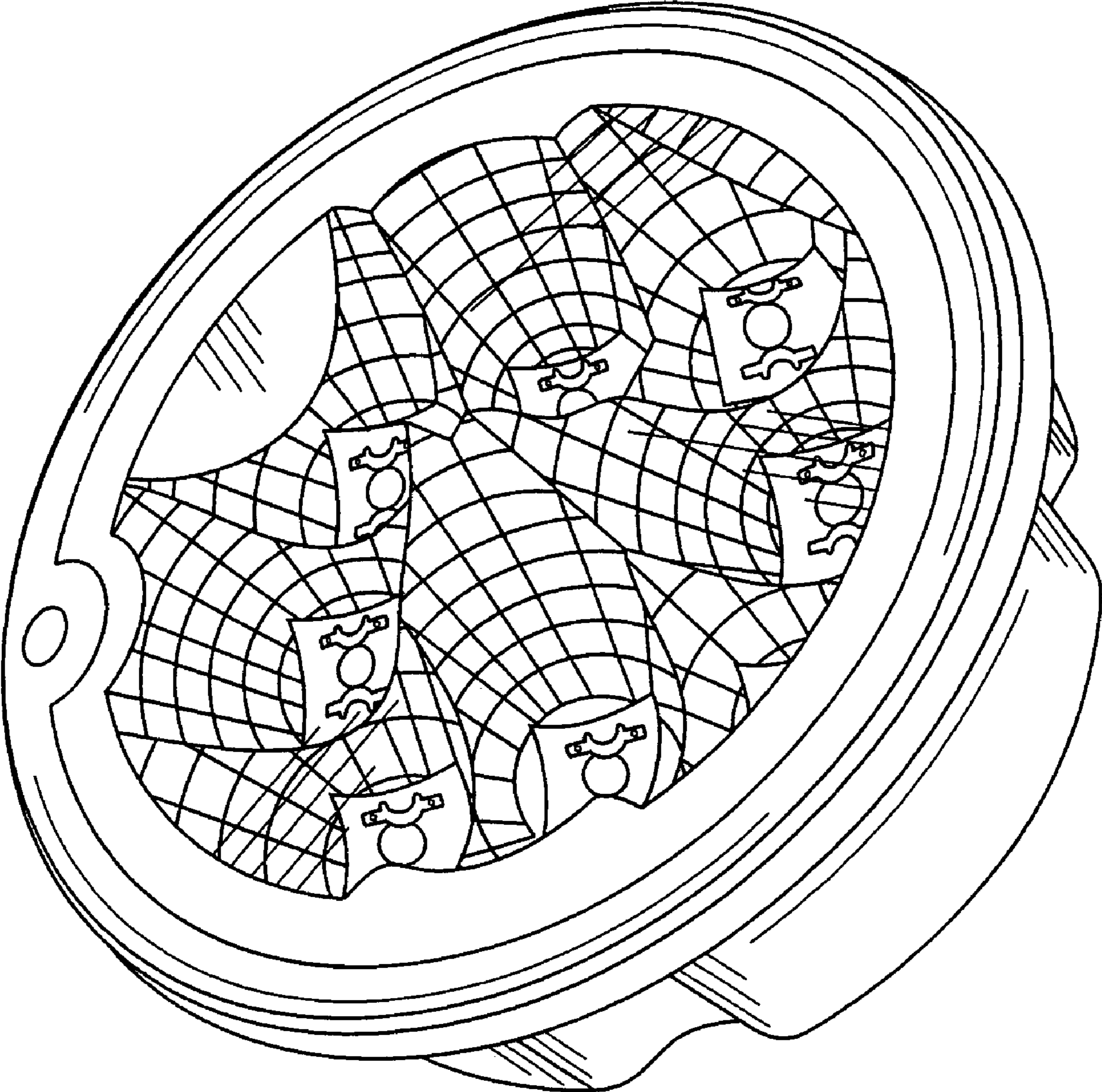


FIG. 1

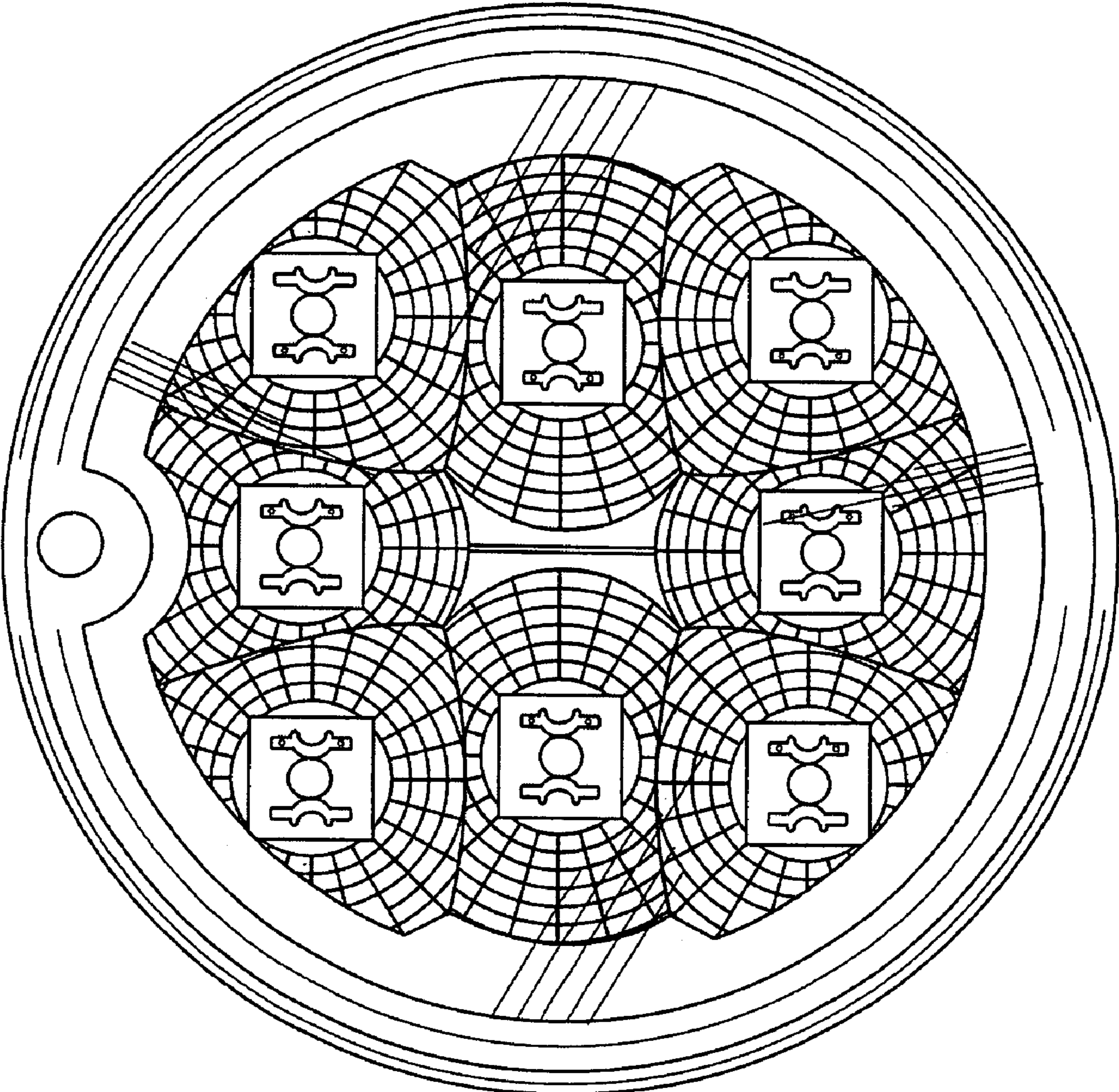


FIG. 2

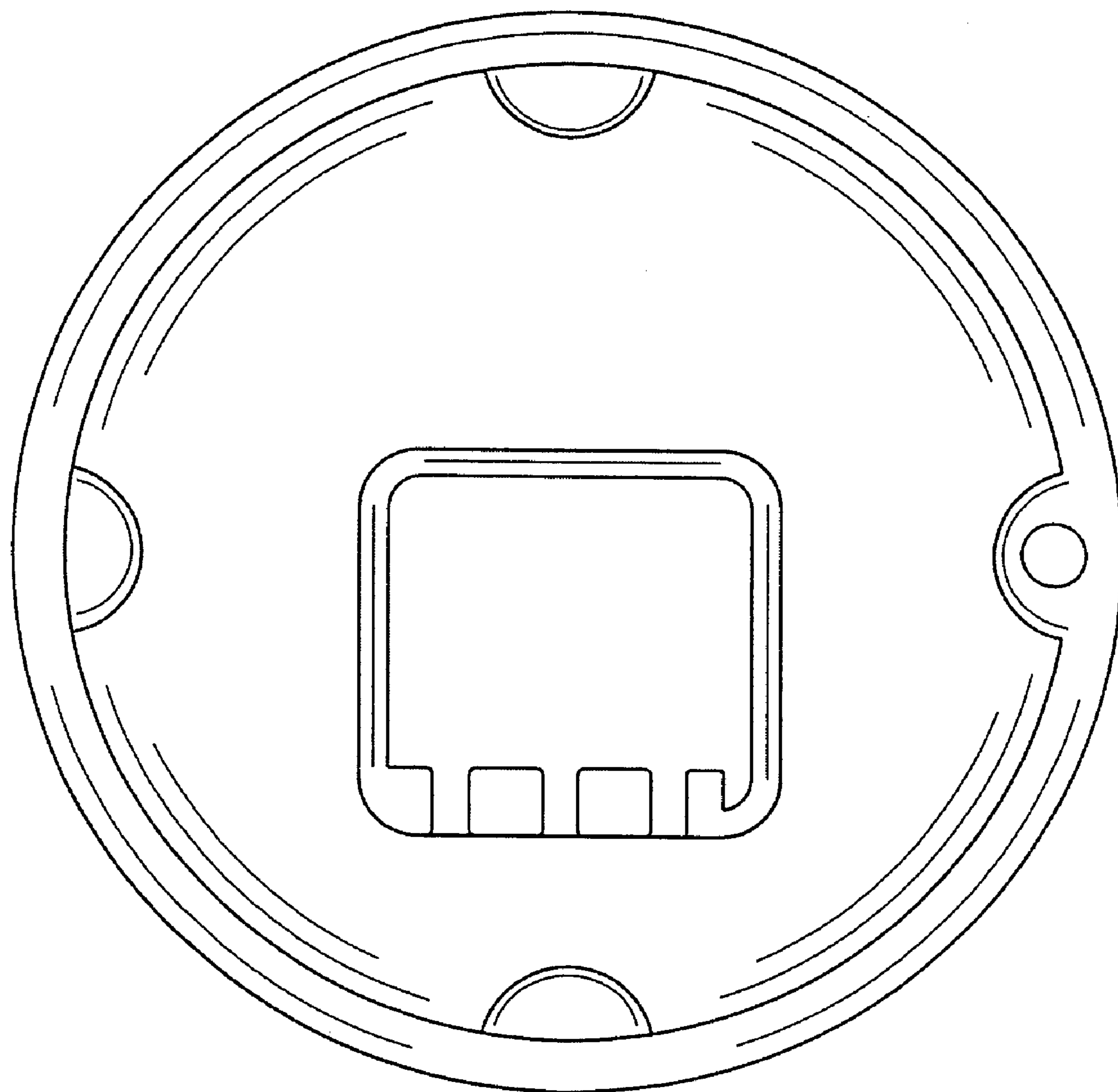


FIG. 3

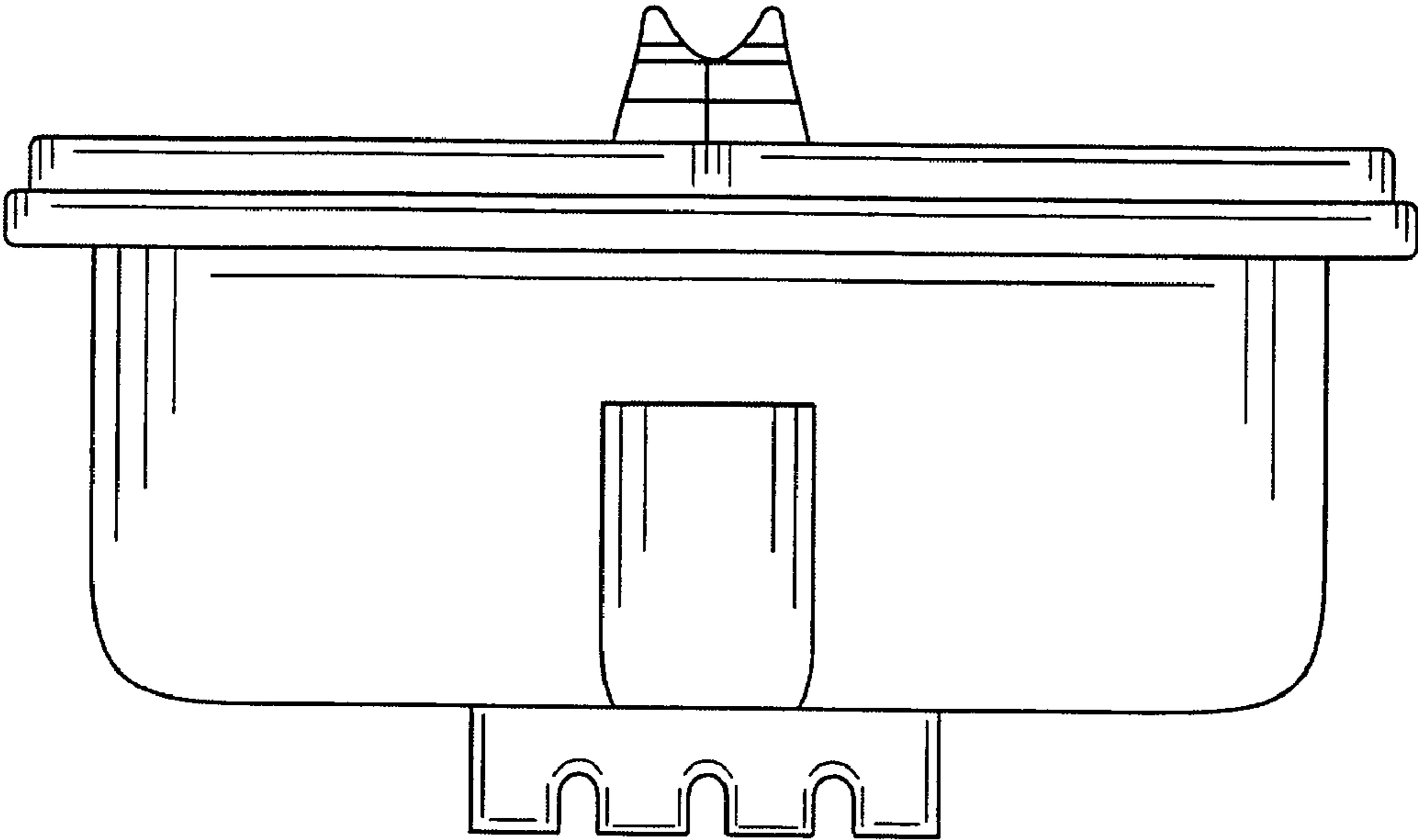


FIG. 4

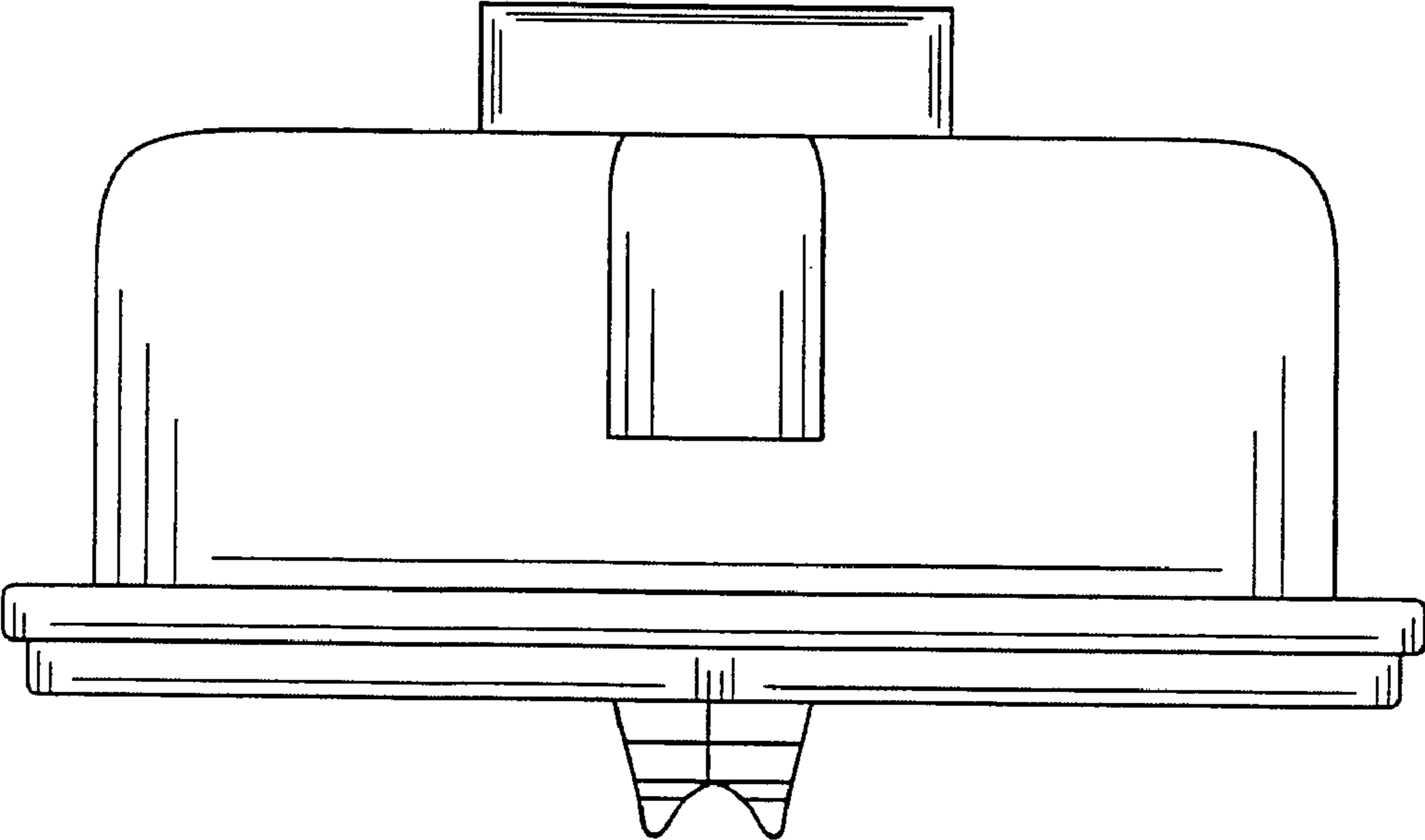


FIG. 5

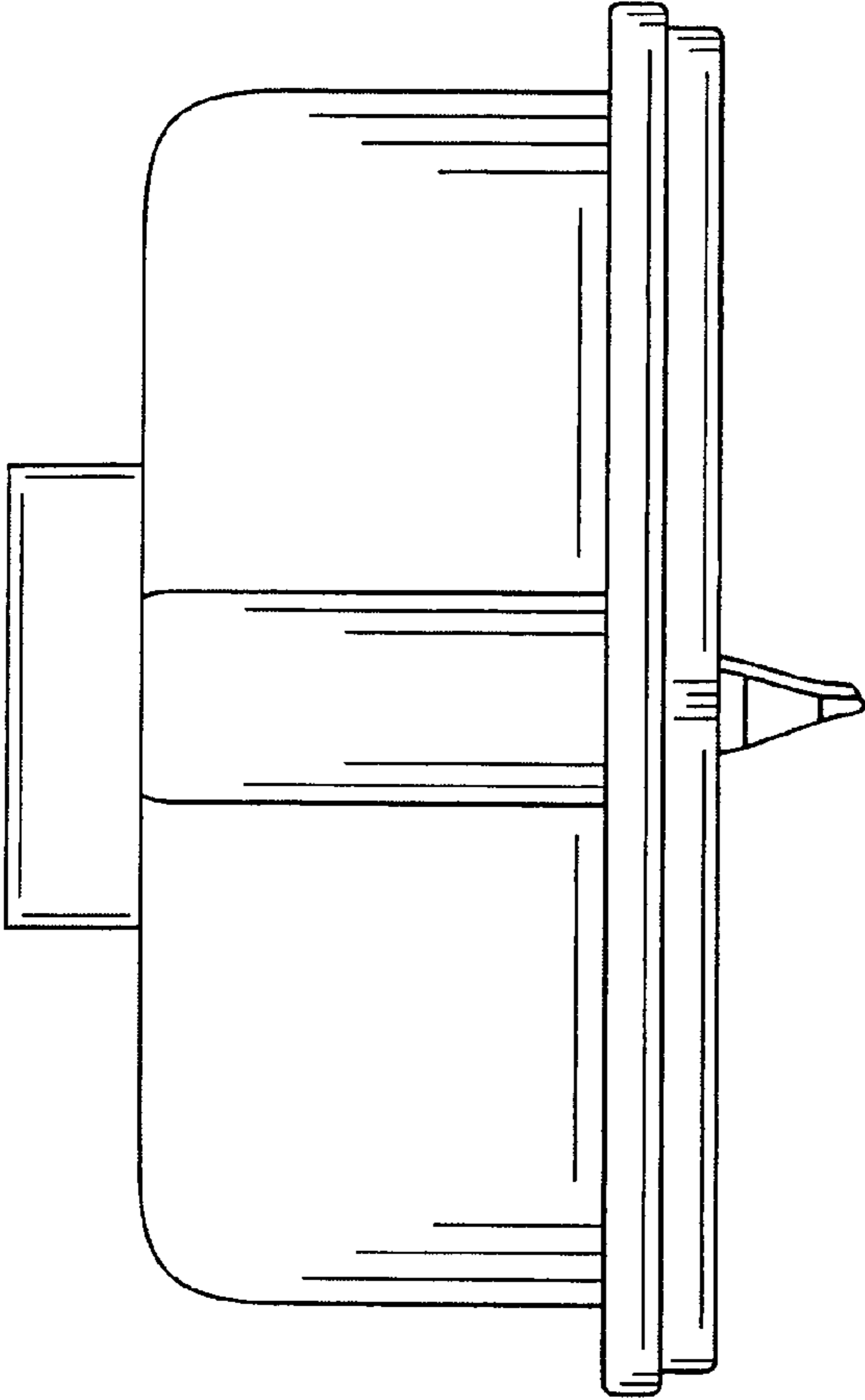


FIG. 6

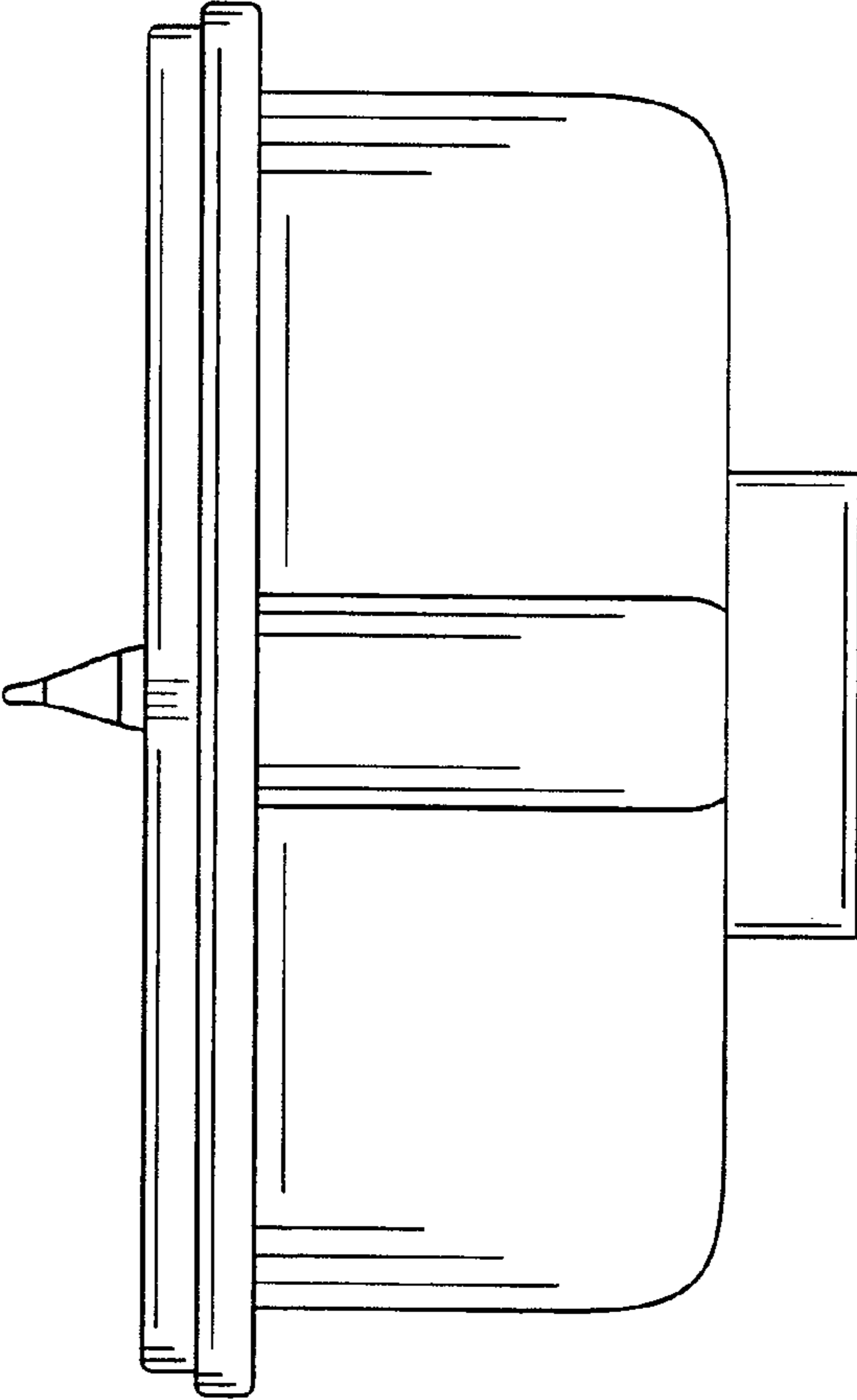


FIG. 7