



US00D578226S

(12) **United States Design Patent**  
**West et al.**

(10) **Patent No.:** **US D578,226 S**  
(45) **Date of Patent:** **\*\* Oct. 7, 2008**

(54) **LED PACKAGE**

(75) Inventors: **Robert Scott West**, Morgan Hill, CA (US); **Stefan Eberle**, Mountain View, CA (US)

(73) Assignee: **Philips Lumileds Lighting Company, LLC**, San Jose, CA (US)

(\*\*) Term: **14 Years**

(21) Appl. No.: **29/247,940**

(22) Filed: **Jul. 20, 2006**

(51) **LOC (8) Cl.** ..... **26-04**

(52) **U.S. Cl.** ..... **D26/1; D26/124**

(58) **Field of Classification Search** ..... D26/1, D26/24, 26, 37, 51-52, 60, 72; D10/109, D10/111, 113-114; 362/555, 125, 154, 157-159, 362/182, 184-186, 194, 641-642, 646, 652, 362/655-656, 800; D9/414, 418, 420, 424-425, D9/430

See application file for complete search history.

(56) **References Cited**

**U.S. PATENT DOCUMENTS**

D158,742 S \* 5/1950 GossWiller ..... D10/114  
4,394,716 A \* 7/1983 Campagna et al. .... 362/158  
D424,725 S \* 5/2000 Cousins ..... D26/37  
6,488,386 B1 \* 12/2002 Yan ..... 362/216

D515,045 S 2/2006 Suenaga  
7,081,644 B2 \* 7/2006 Flaherty et al. .... 257/98  
D528,672 S \* 9/2006 Nagai et al. .... D26/1

\* cited by examiner

*Primary Examiner*—Ian Simmons

*Assistant Examiner*—Dana L Sipos

(74) *Attorney, Agent, or Firm*—Patent Law Group LLP; Brian D. Ogonowsky

(57) **CLAIM**

The ornamental design for a LED package, substantially as shown and described.

**DESCRIPTION**

FIG. 1 is a top, front, right side perspective view of an LED package showing our new design;

FIG. 2 is a left side elevation view thereof, the right side elevation view being a mirror image;

FIG. 3 is a front elevation view thereof;

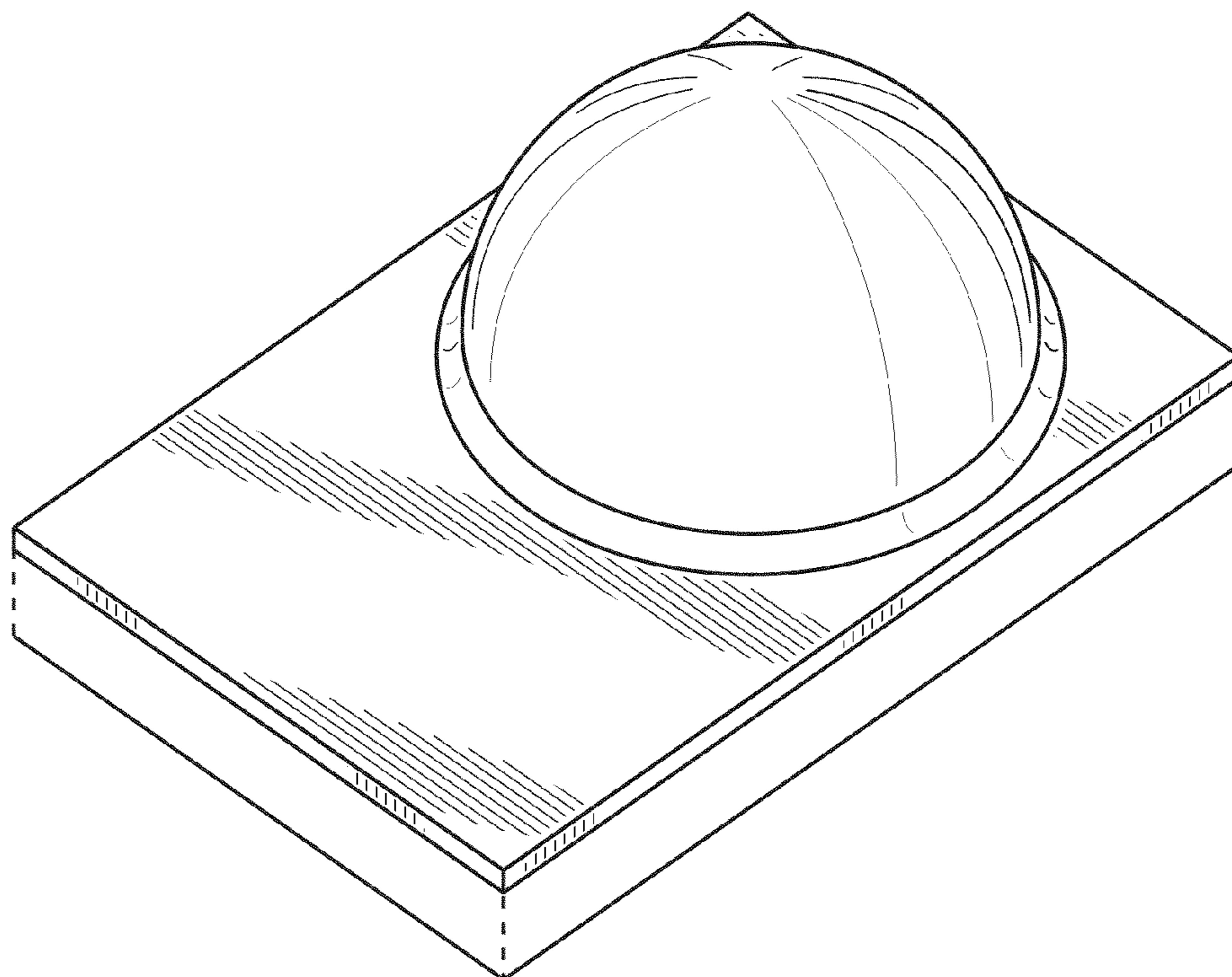
FIG. 4 is a top plan view thereof;

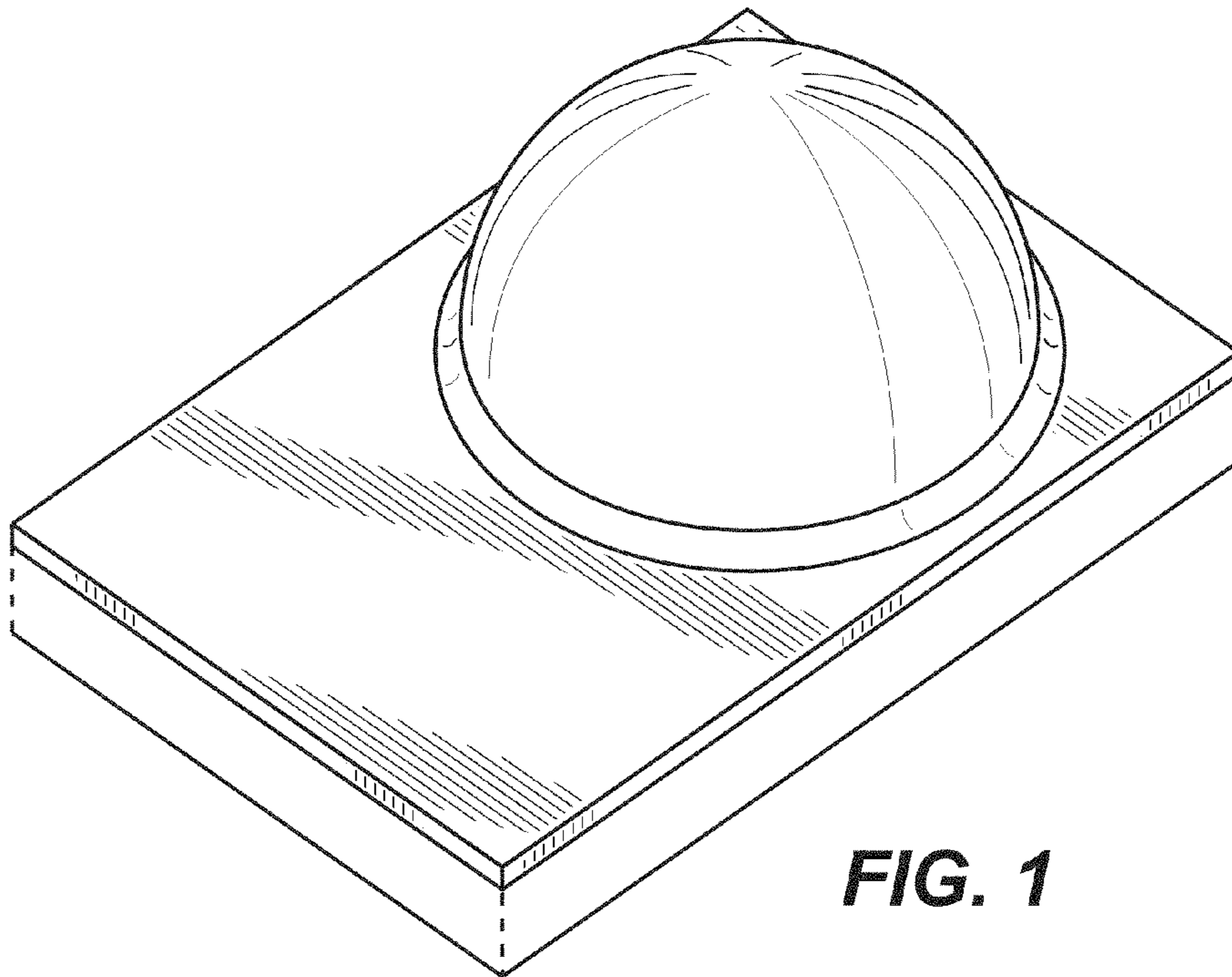
FIG. 5 is a bottom plan view thereof; and,

FIG. 6 is a rear elevation view thereof.

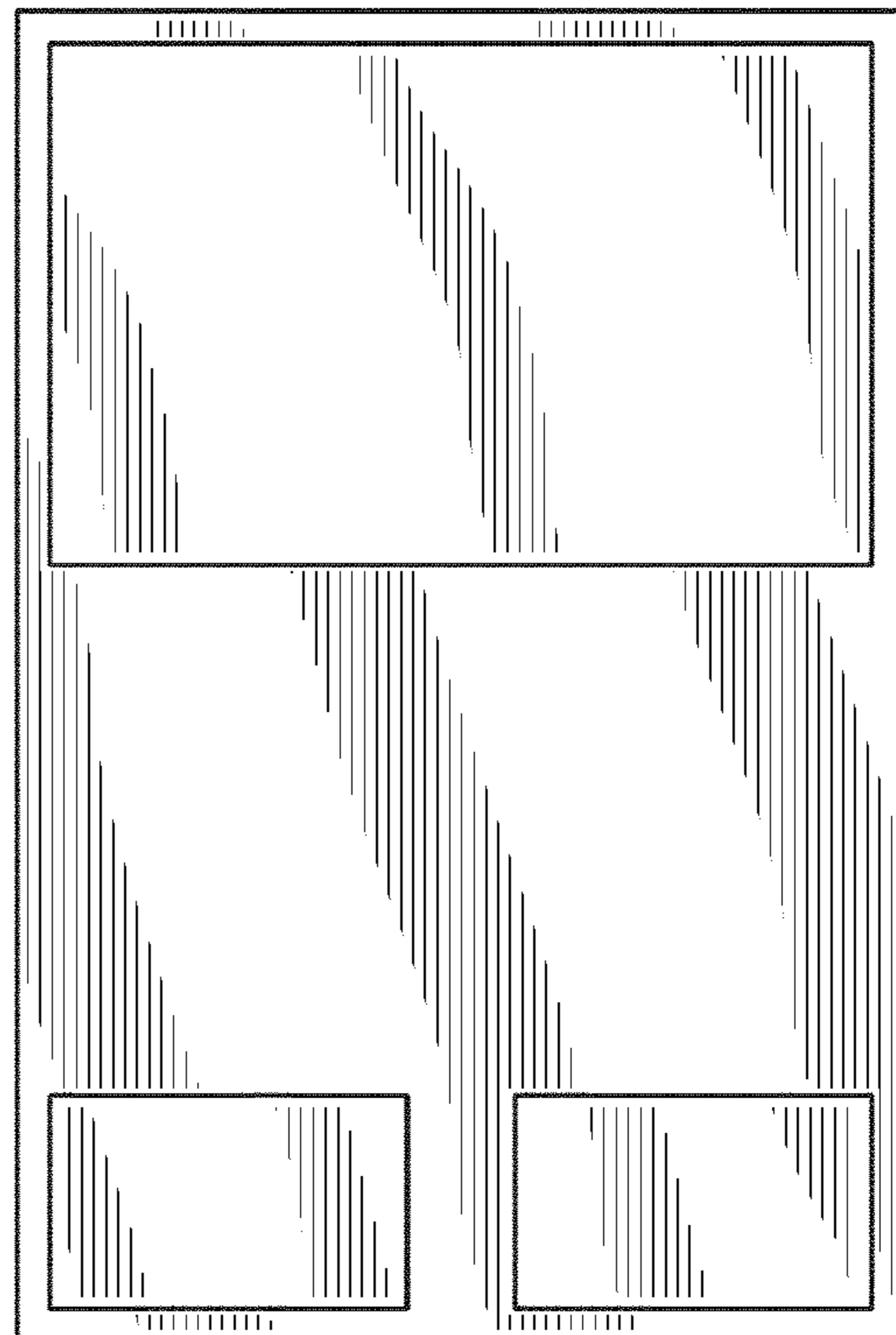
The broken lines showing an environment of the design are for illustrative purposes and form no part of the claimed design.

**1 Claim, 2 Drawing Sheets**

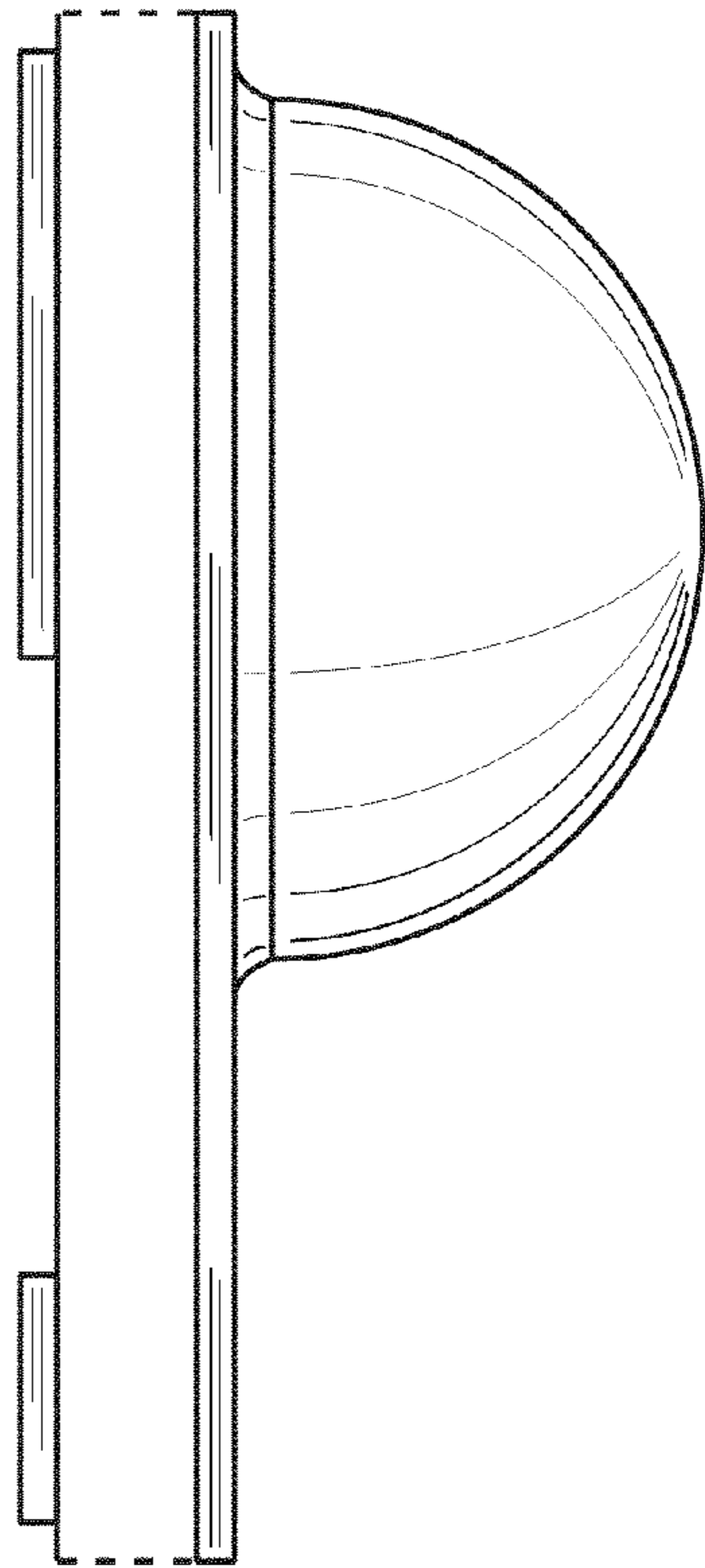




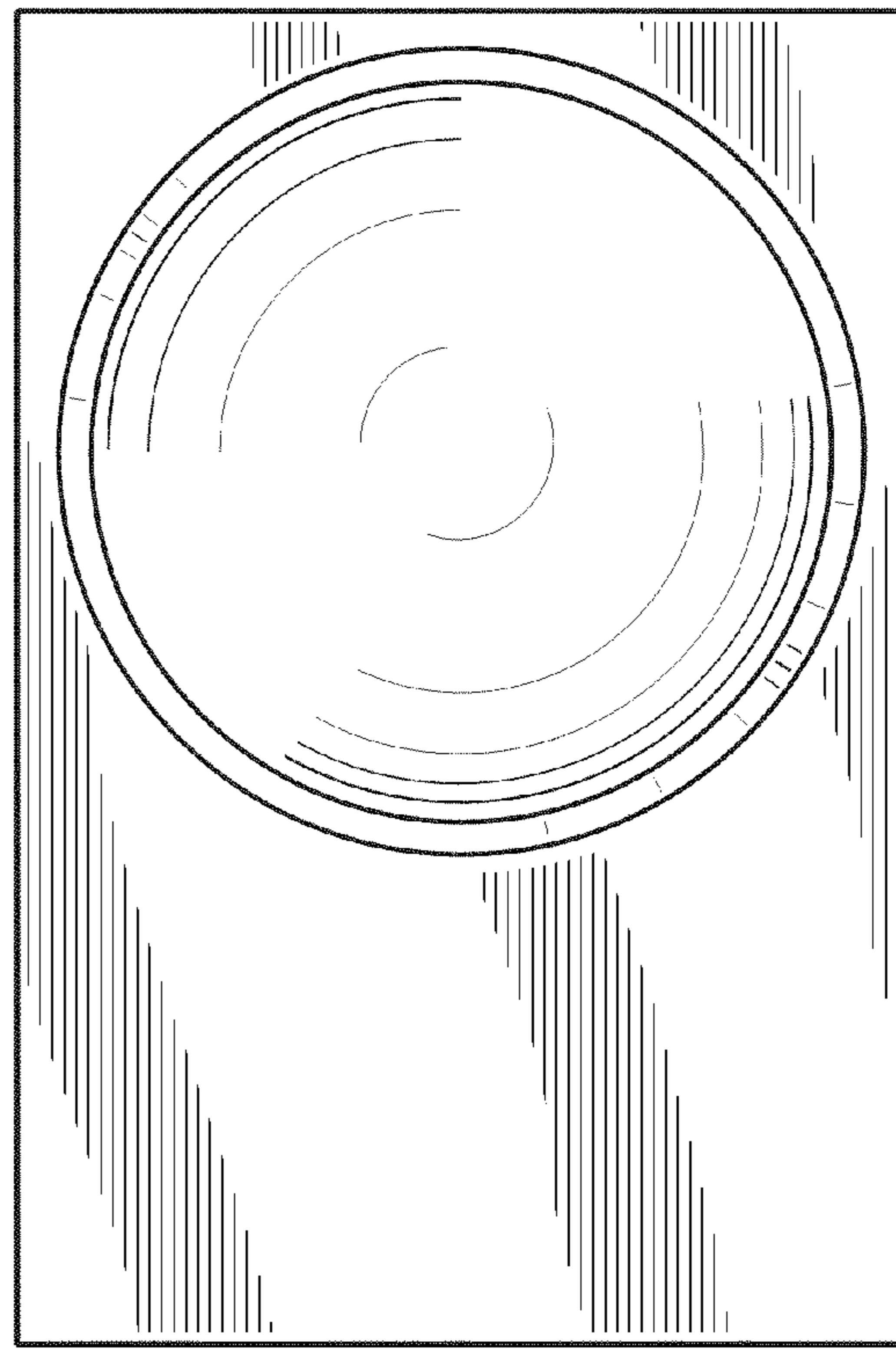
**FIG. 1**



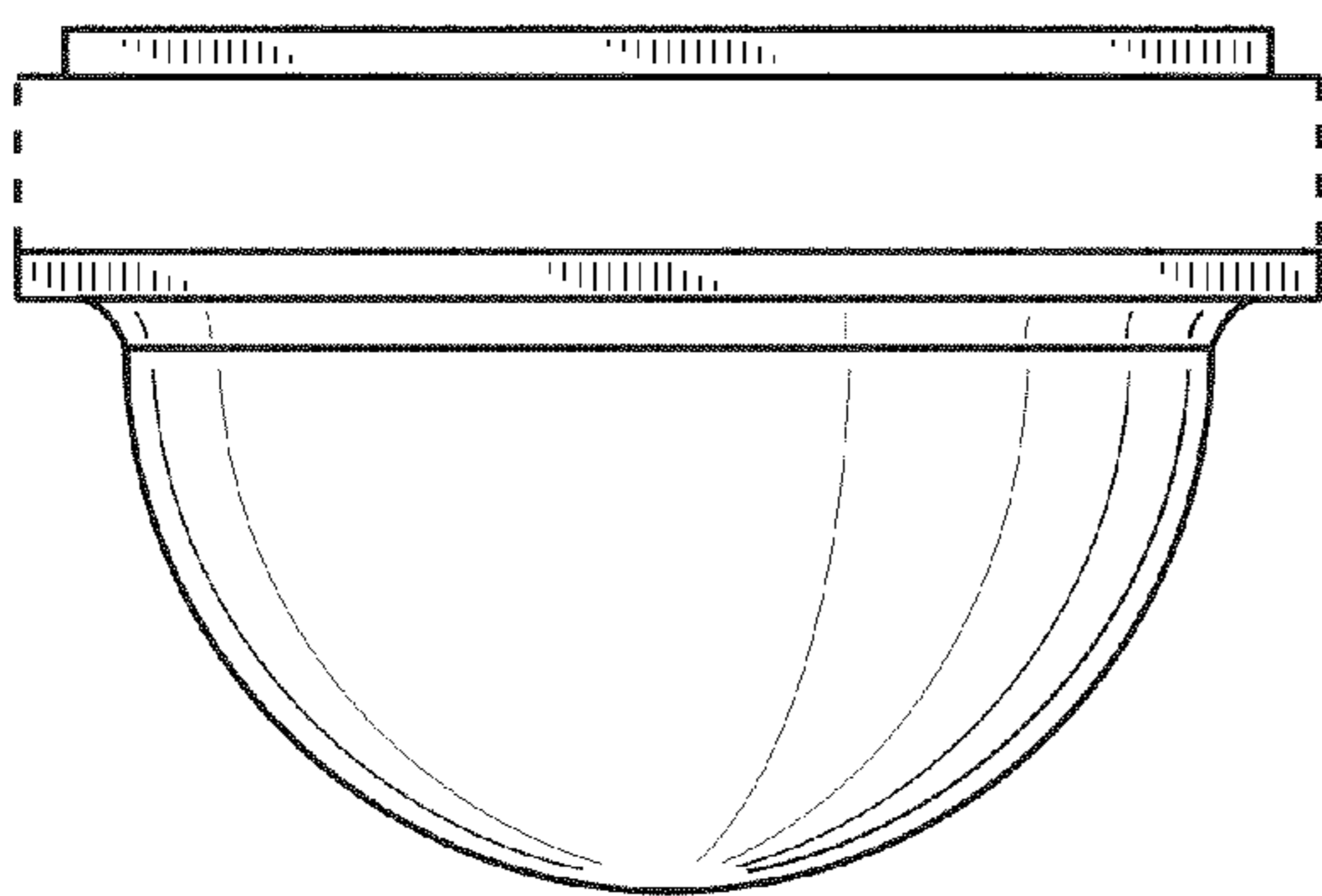
**FIG. 6**



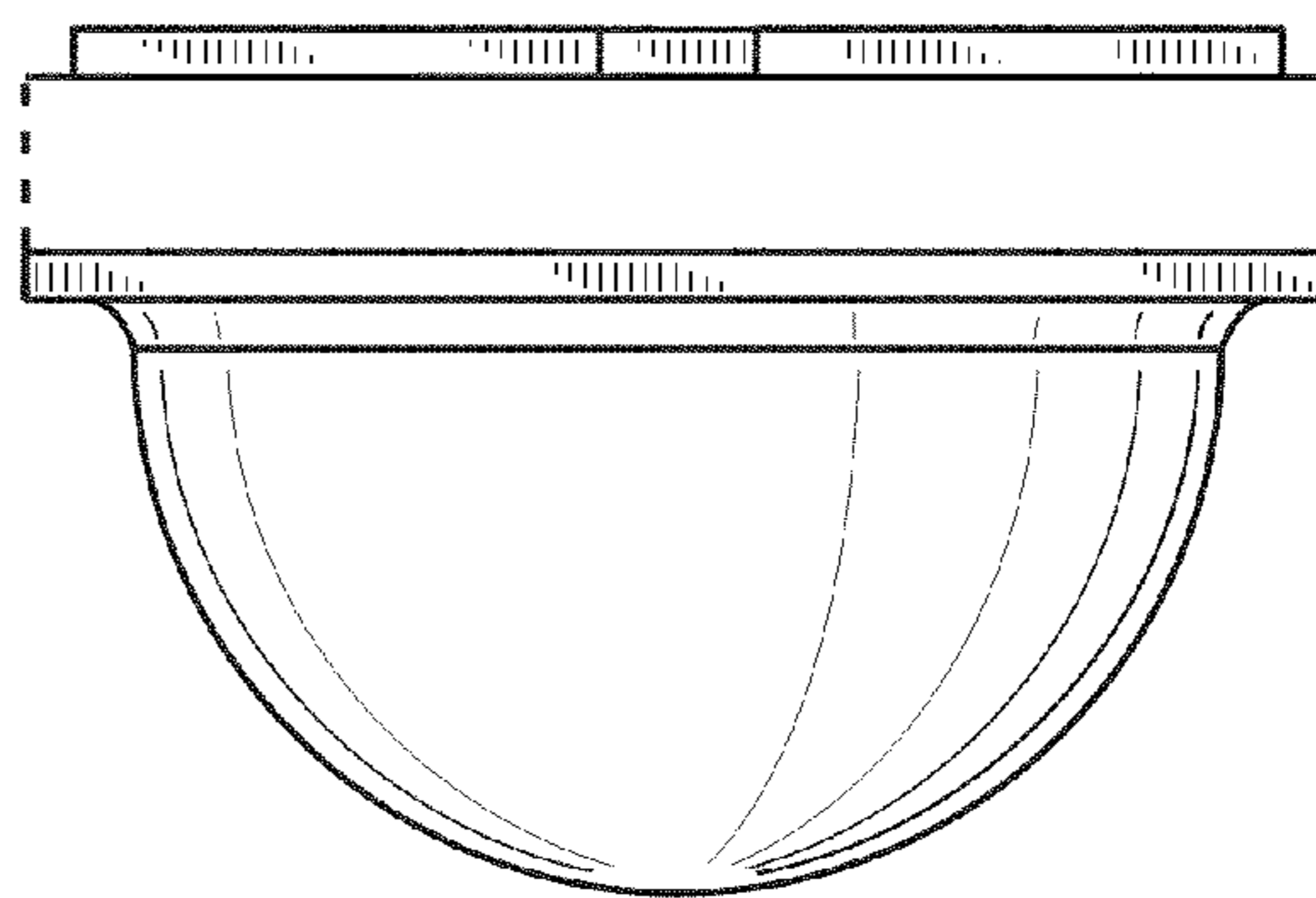
**FIG. 2**



**FIG. 3**



**FIG. 4**



**FIG. 5**