



US00D578225S

(12) **United States Design Patent**
Fitts, III

(10) **Patent No.:** **US D578,225 S**

(45) **Date of Patent:** **** Oct. 7, 2008**

(54) **BALUSTER**

(76) Inventor: **Frank Fitts, III**, 1115 Meadow La.,
North, High Forest Subdivision,
Tuscaloosa, AL (US) 35406

(**) Term: **14 Years**

(21) Appl. No.: **29/292,880**

(22) Filed: **Oct. 30, 2007**

(51) **LOC (8) Cl.** **25-01**

(52) **U.S. Cl.** **D25/126**

(58) **Field of Classification Search** D25/126,
D25/38; 256/19, 20, 22, 65.01, 66, 65.11
See application file for complete search history.

(56) **References Cited**

U.S. PATENT DOCUMENTS

3,200,554 A * 8/1965 Goodman et al. 52/832

4,112,195 A * 9/1978 Pott et al. 52/717.04
D315,415 S * 3/1991 Anthony et al. D25/126
D503,984 S * 4/2005 Rosian D25/126
D509,600 S * 9/2005 Curtas D25/126
D510,447 S * 10/2005 Sayer et al. D25/126

* cited by examiner

Primary Examiner—Doris Clark

(74) *Attorney, Agent, or Firm*—Karen B. Tripp

(57) **CLAIM**

I claim the ornamental design for a baluster, as shown and described.

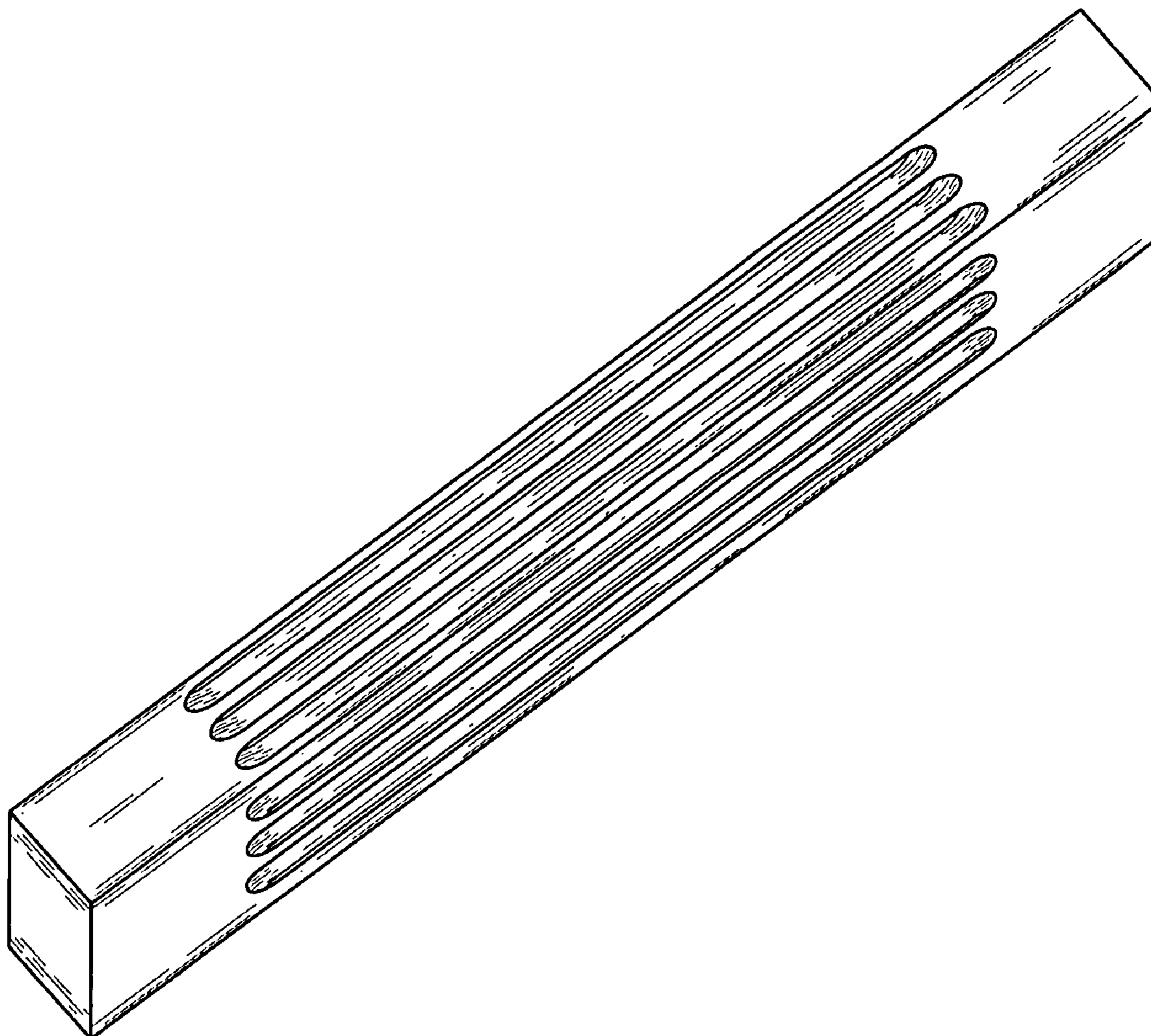
DESCRIPTION

FIG. 1 is a perspective view of a baluster.

FIG. 2 is a front view, having four identical sides; and,

FIG. 3 is an end view.

1 Claim, 2 Drawing Sheets



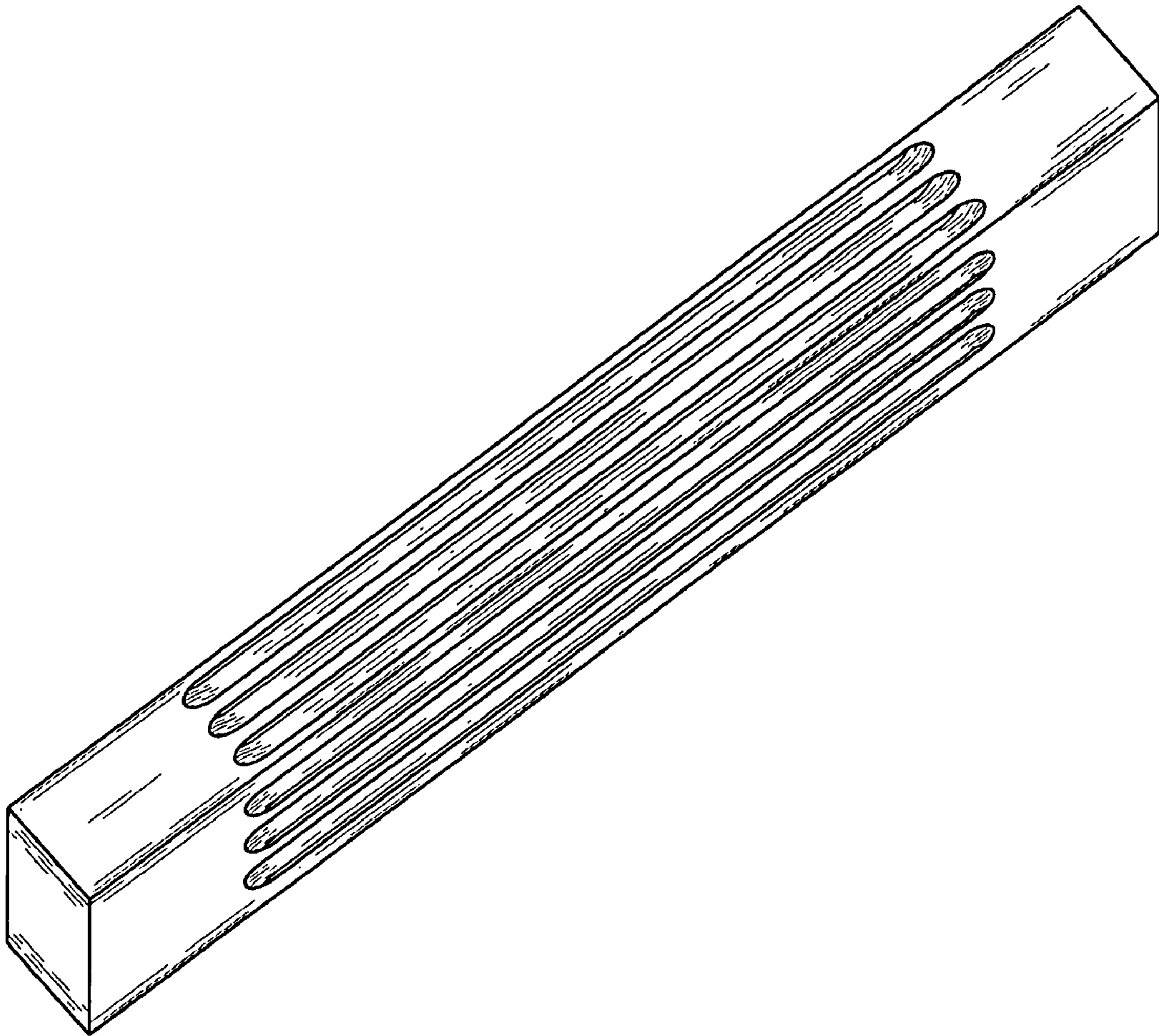


FIG. 1

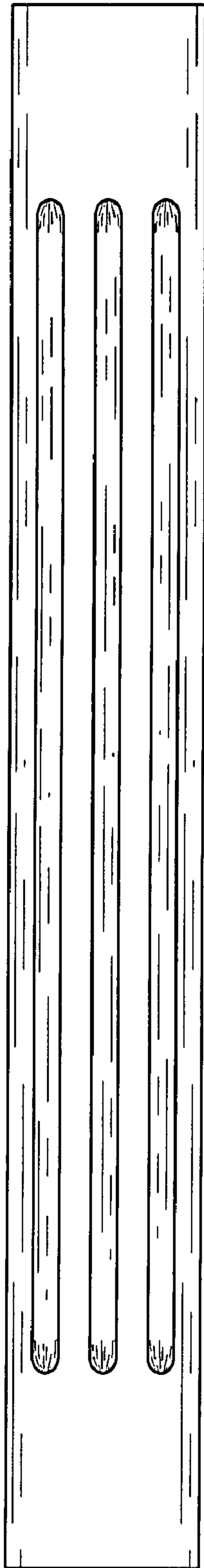


FIG. 2

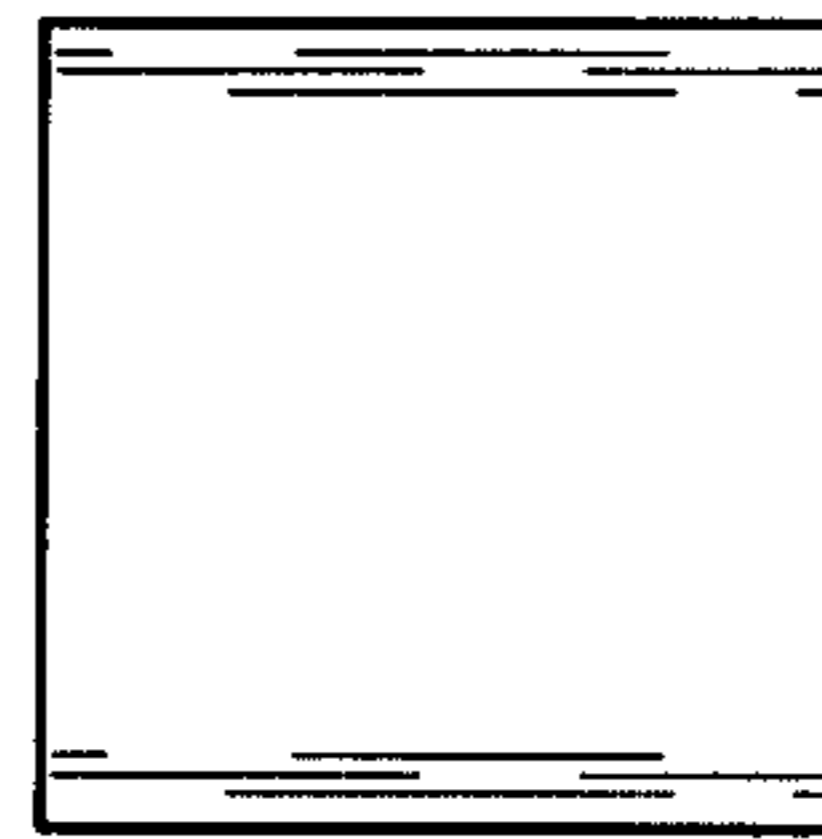


FIG. 3