



US00D578223S

(12) **United States Design Patent**
Williams et al.

(10) **Patent No.:** **US D578,223 S**
(45) **Date of Patent:** **** Oct. 7, 2008**

(54) **START GATE SIDE COVER**

(76) Inventors: **Gary Williams**, RR 2 Box 131A,
Astoria, IL (US) 61501; **Phillip Layne**,
RR #3 Box 170B, Rushville, IL (US)
62681

(**) Term: **14 Years**

(21) Appl. No.: **29/273,820**

(22) Filed: **Mar. 14, 2007**

(51) **LOC (8) Cl.** **25-02**

(52) **U.S. Cl.** **D25/38**

(58) **Field of Classification Search** D25/38,
D25/42, 43, 44, 50; 256/19, 20, 22, 65.01,
256/66, 65.11, 2; 472/85, 86, 87; D21/320,
D21/359, 811, 800

See application file for complete search history.

(56) **References Cited**

U.S. PATENT DOCUMENTS

- 1,903,414 A * 4/1933 Albright 119/423
- 3,994,491 A * 11/1976 Mascotte et al. 472/85
- 6,113,077 A * 9/2000 Fargher et al. 256/65.02
- D470,598 S * 2/2003 Schneider et al. D25/38

* cited by examiner

Primary Examiner—Doris Clark

(74) *Attorney, Agent, or Firm*—Law Offices of Robert M. Patino

(57) **CLAIM**

I claim the ornamental design for a start gate side cover, as shown and described.

DESCRIPTION

FIG. 1 is a side and front perspective view of a start gate side cover showing my new design;

FIG. 2 is a top and front perspective view of the start gate side cover of FIG. 1;

FIG. 3 is a side elevation view of the start gate side cover of FIG. 1;

FIG. 4 is a top plan view of the start gate side cover of FIG. 1;

FIG. 5 is a bottom plan view of the start gate side cover of FIG. 1;

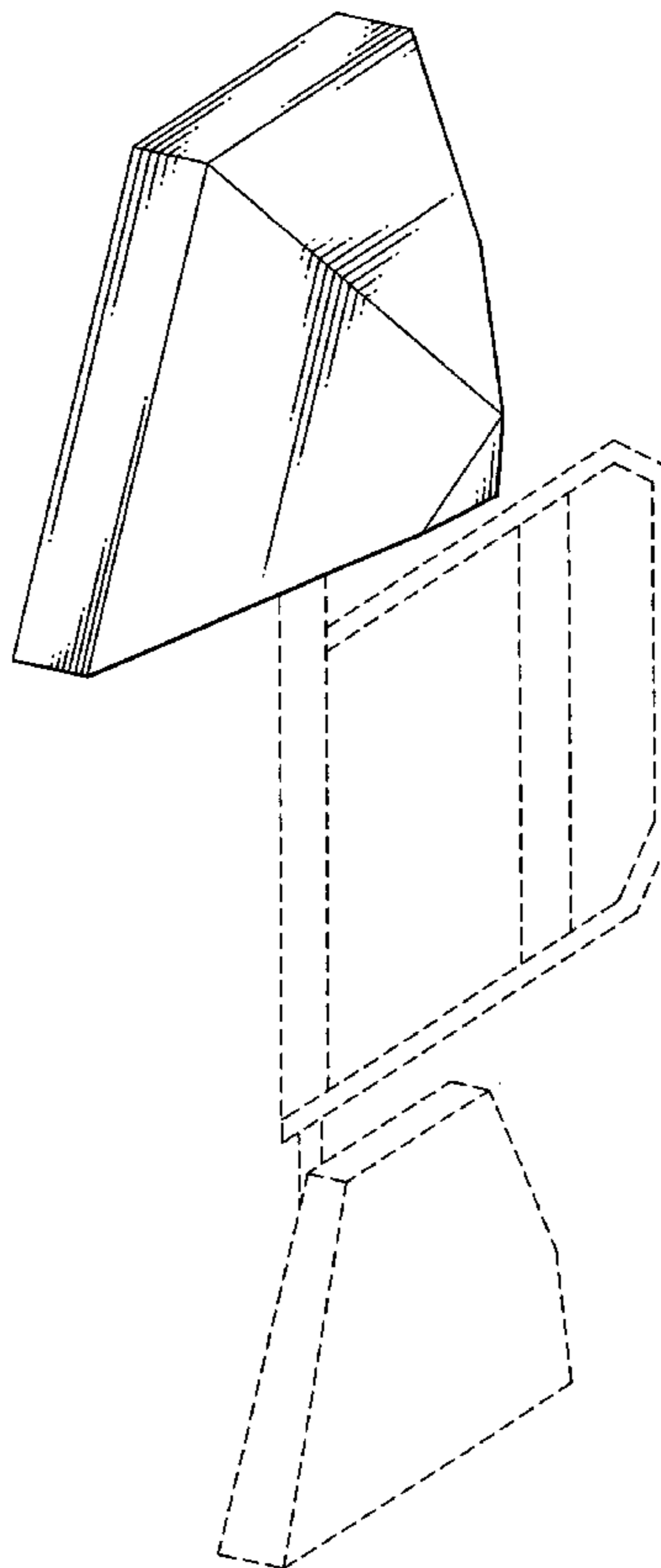
FIG. 6 is a front elevation view of the start gate side cover of FIG. 1; and,

FIG. 7 is a rear elevation view of the start gate side cover of FIG. 1.

The purpose of the broken lines is to illustrate where a start gate assembly may be inserted.

The broken lines showing a start gate assembly is for illustrative purposes only and forms no part of the claimed design.

1 Claim, 4 Drawing Sheets



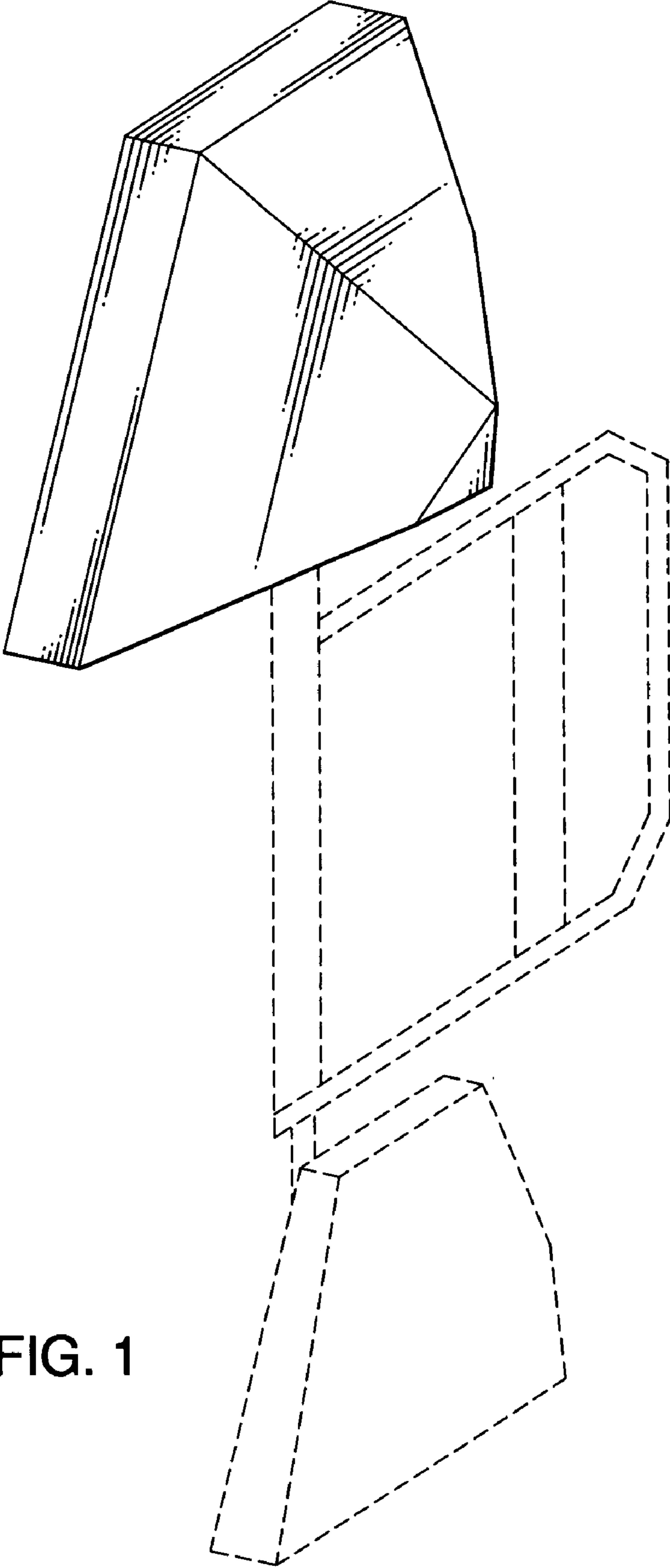


FIG. 1

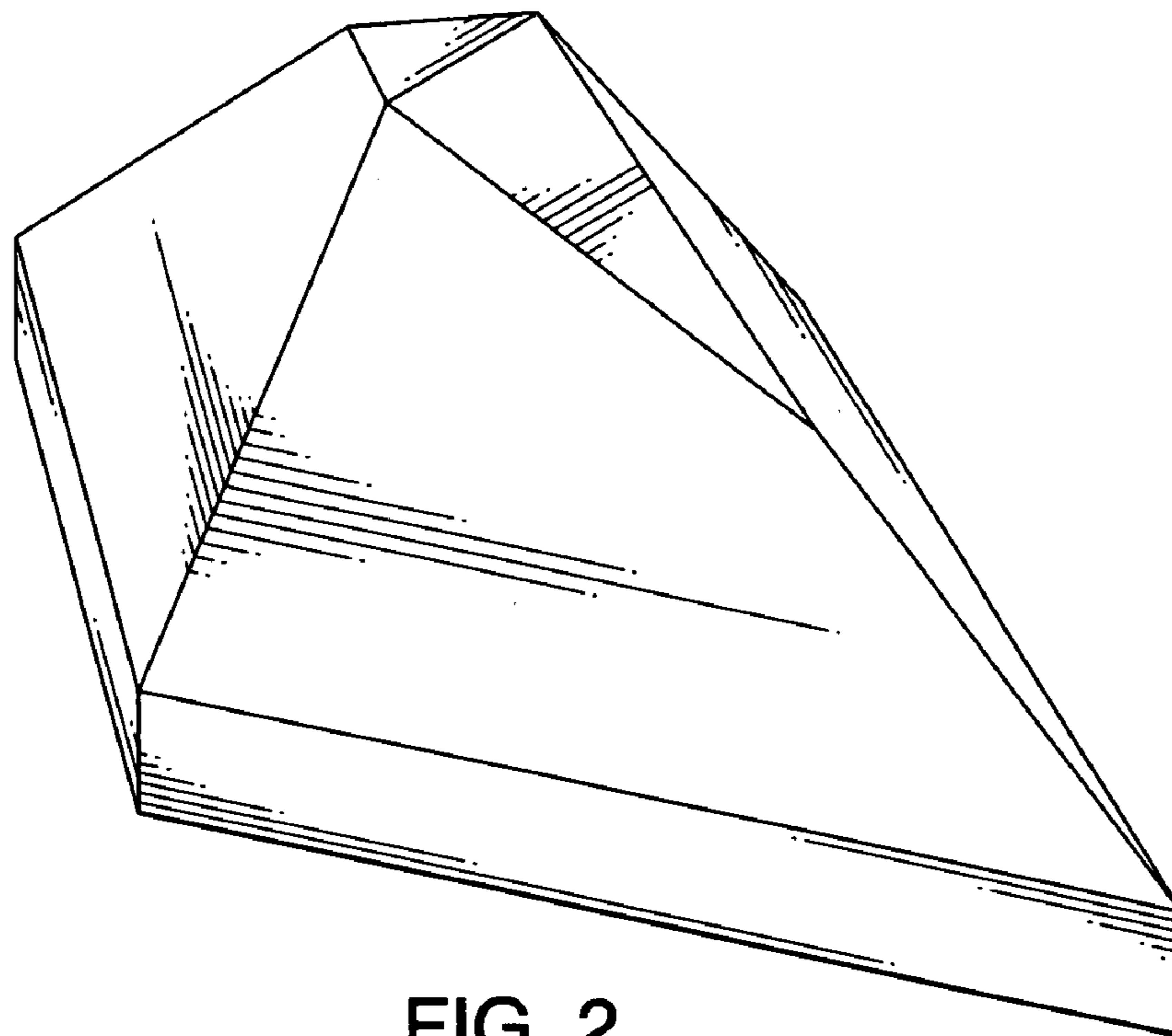


FIG. 2

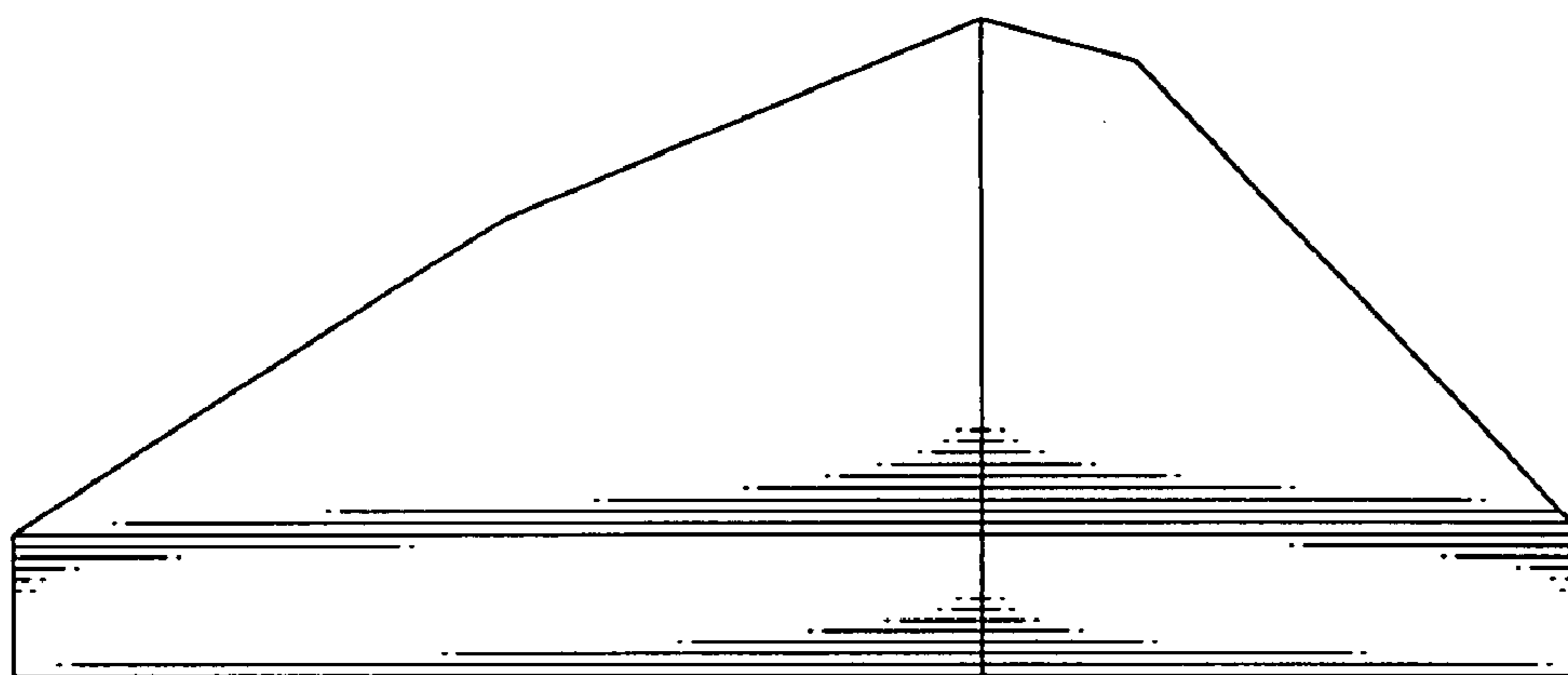


FIG. 3

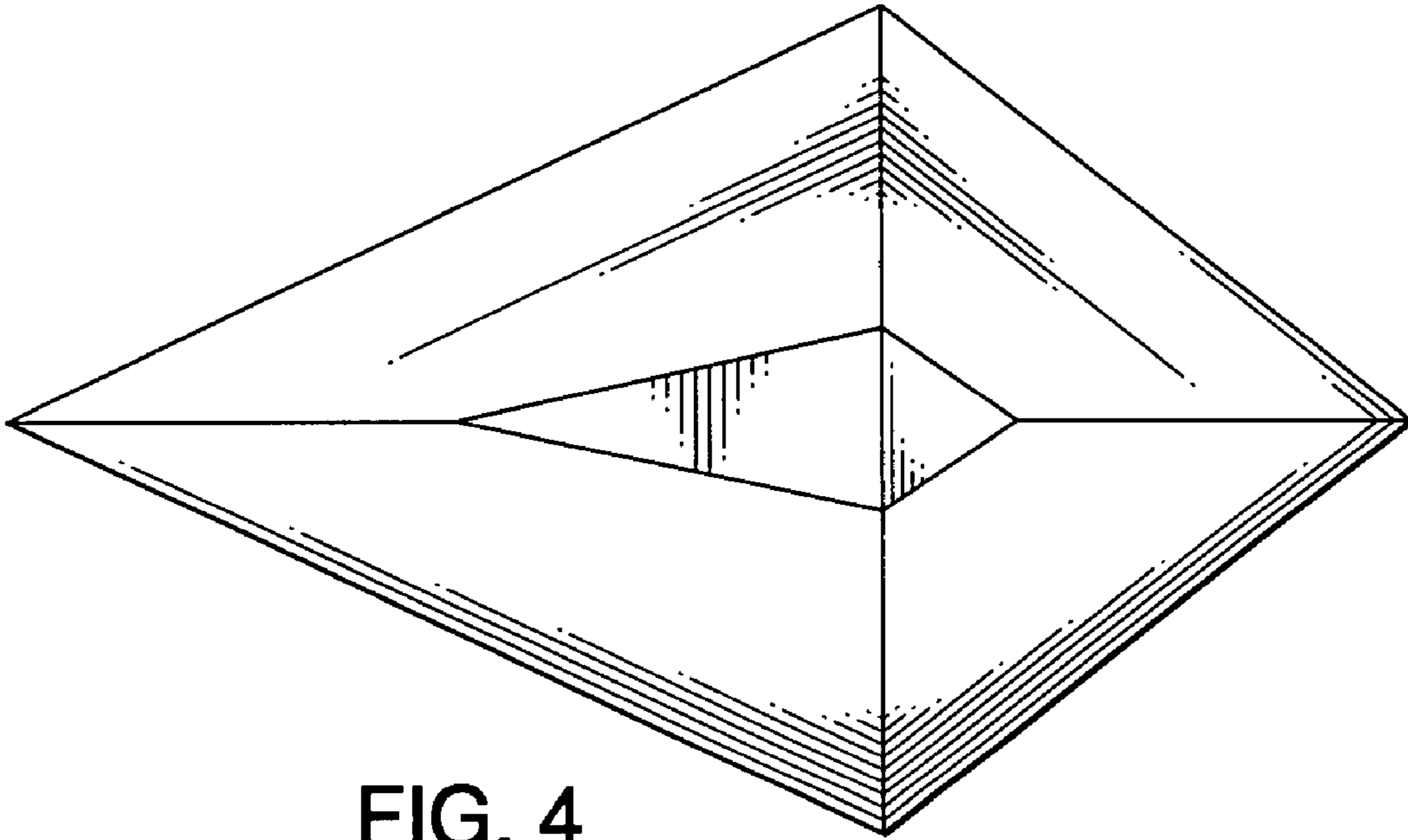


FIG. 4

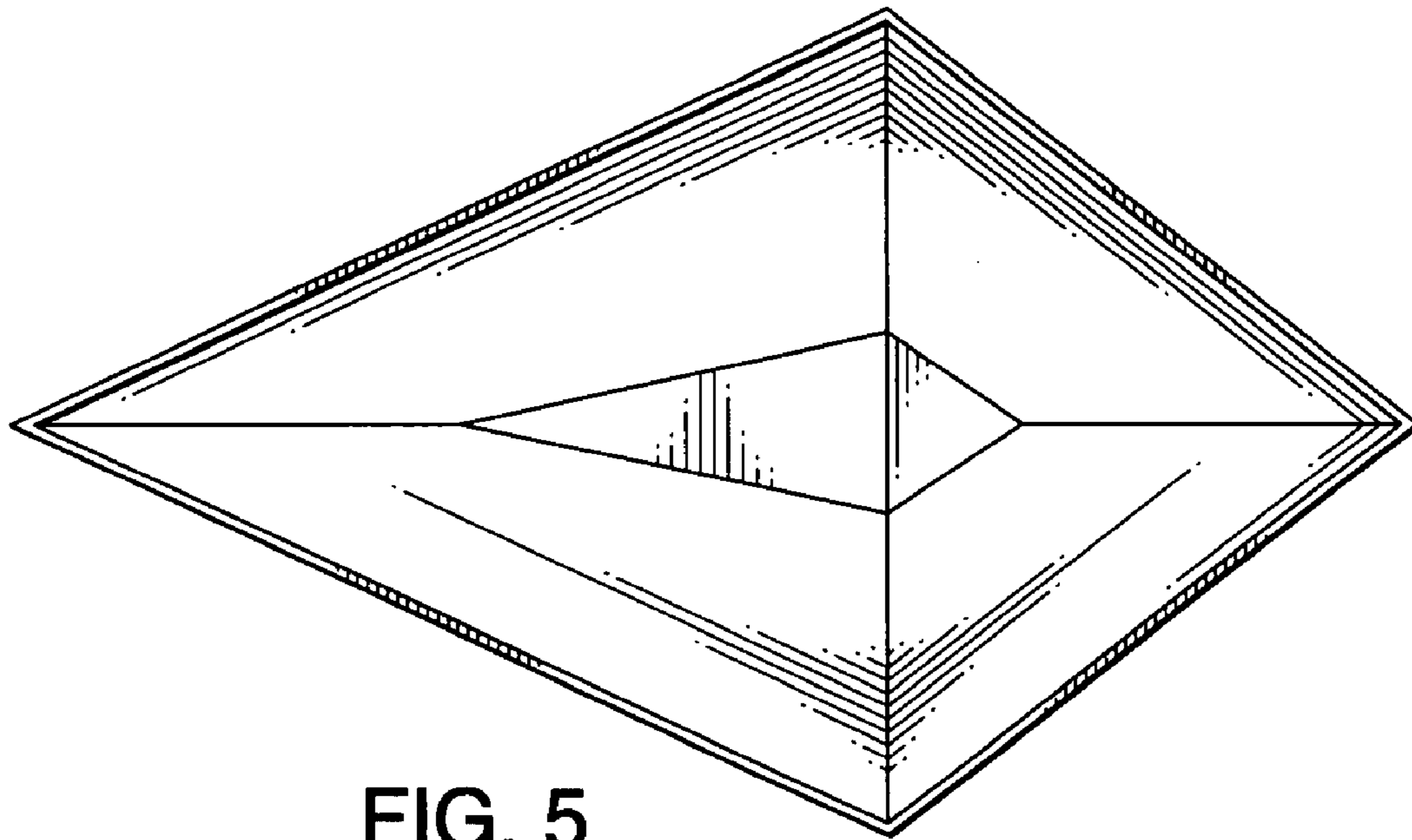


FIG. 5

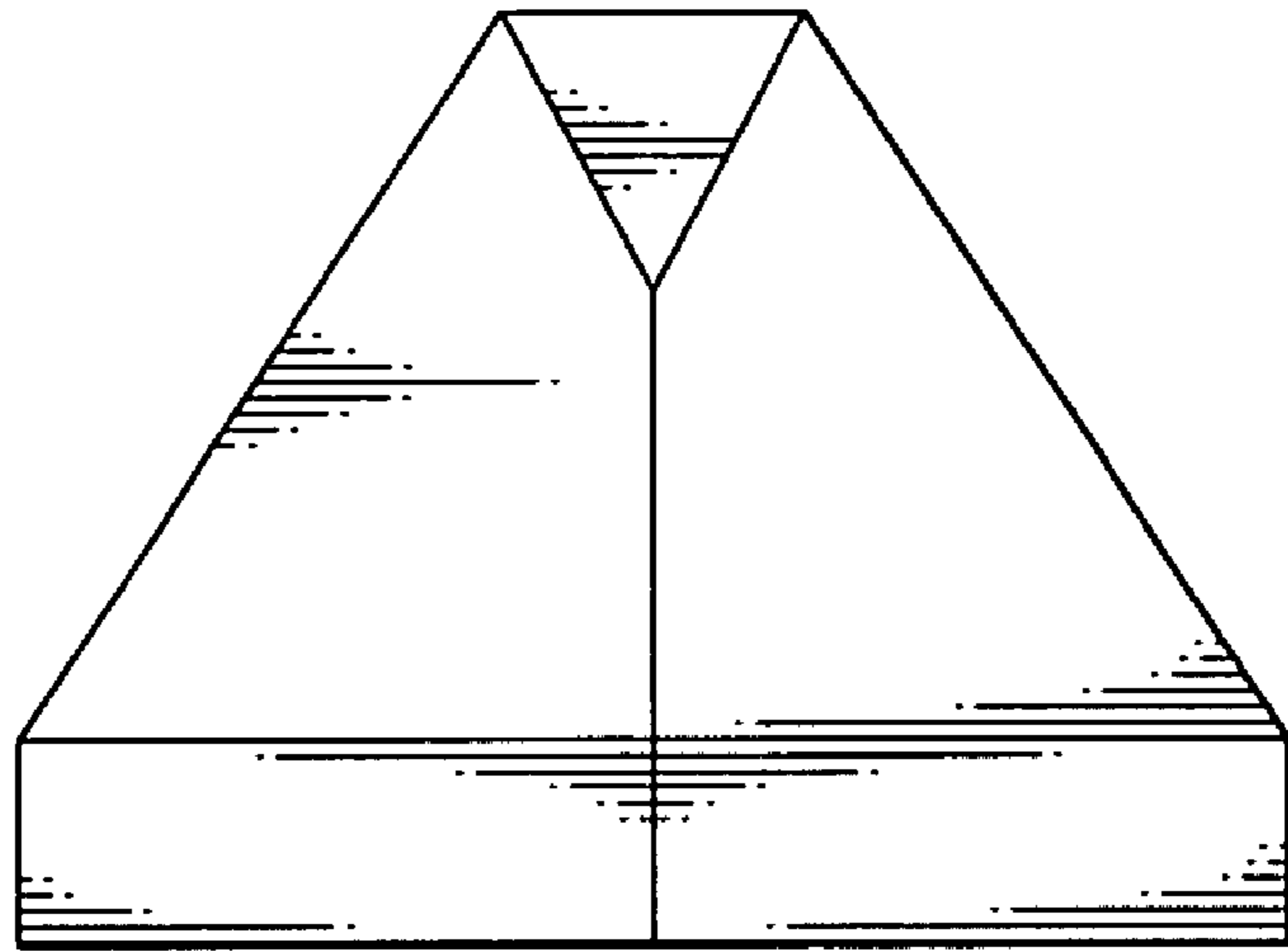


FIG. 6

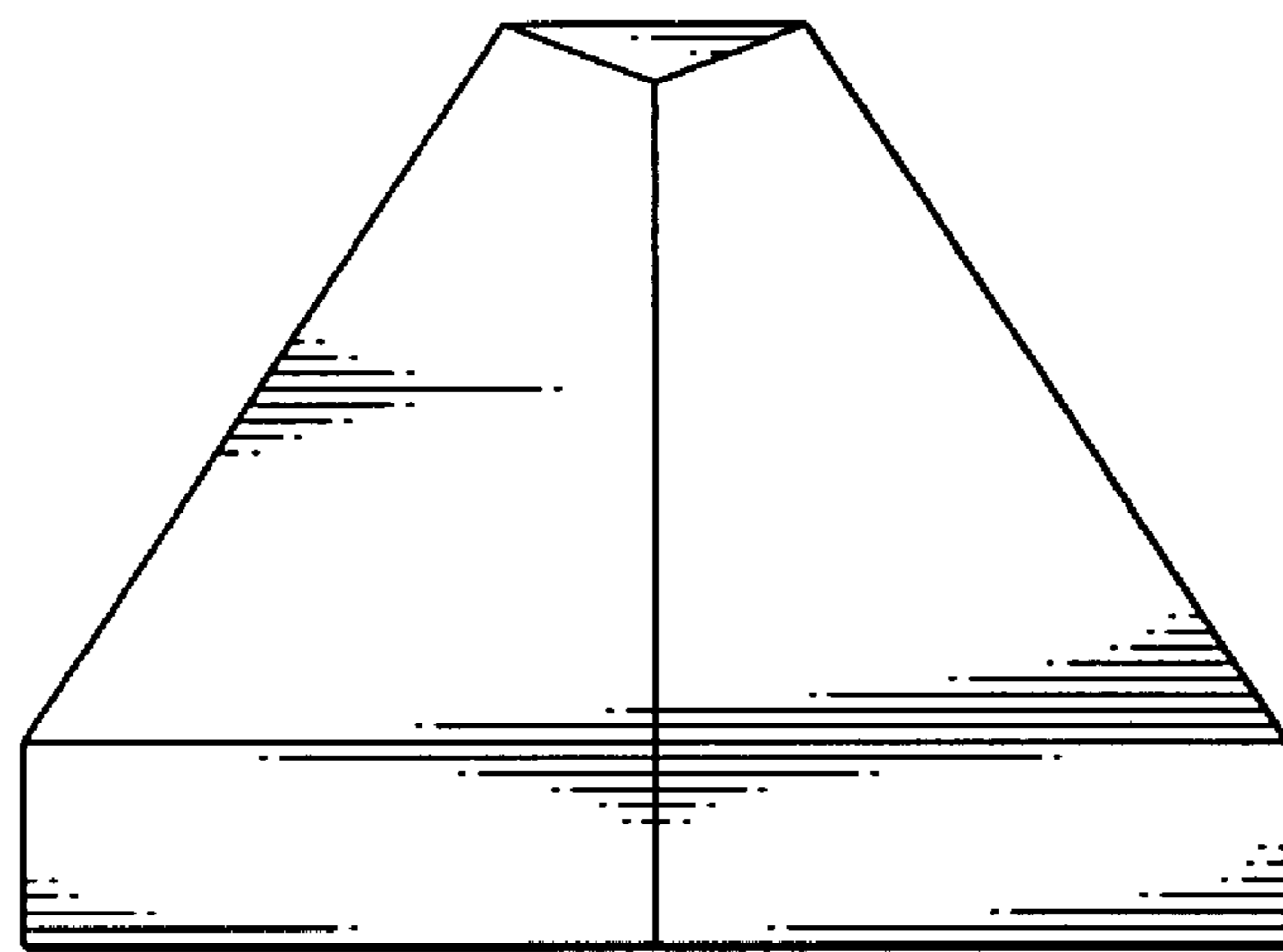


FIG. 7