



US00D578220S

(12) **United States Design Patent**
Ebarb

(10) **Patent No.:** **US D578,220 S**

(45) **Date of Patent:** **** Oct. 7, 2008**

(54) **BREAST PILLOW**

(76) **Inventor:** **Denise Ebarb**, 7824 Brookfield Cove,
Las Vegas, NV (US) 89131

(**) **Term:** **14 Years**

(21) **Appl. No.:** **29/224,154**

(22) **Filed:** **Feb. 25, 2005**

(51) **LOC (8) Cl.** **24-02**

(52) **U.S. Cl.** **D24/184**

(58) **Field of Classification Search** D24/36,
D24/64, 183-184; D6/595-597, 601, 604-605;
5/110-111, 431-437, 490, 636-637, 639-640,
5/648, 706, 710, 713; 601/11, 652-654

See application file for complete search history.

(56) **References Cited**

U.S. PATENT DOCUMENTS

3,988,793	A *	11/1976	Abitbol	601/11
D271,647	S *	12/1983	McLeod	D6/596
D309,542	S *	7/1990	Glenn	5/652
5,014,375	A *	5/1991	Coonrad et al.	5/648
D318,923	S *	8/1991	Marsh	D24/183

5,095,569	A *	3/1992	Glenn	5/490
D357,538	S *	4/1995	Sockwell et al.	D24/183
5,425,147	A *	6/1995	Supplee et al.	5/713
D364,464	S *	11/1995	Gigante et al.	D24/183
D384,850	S *	10/1997	Fanuzzi	D6/601
6,295,668	B1 *	10/2001	Nation	5/110
6,857,145	B1 *	2/2005	Sikes	5/110
6,938,287	B1 *	9/2005	Mahshie	5/111

* cited by examiner

Primary Examiner—Robert A. Delehanty

Assistant Examiner—Mark Cavanna

(57) **CLAIM**

The ornamental design for breast pillow, as shown and described.

DESCRIPTION

FIG. 1 is a perspective view of a breast pillow, showing my new design;

FIG. 2 is a front view thereof;

FIG. 3 is a bottom view thereof; and,

FIG. 4 is a top view thereof.

1 Claim, 3 Drawing Sheets

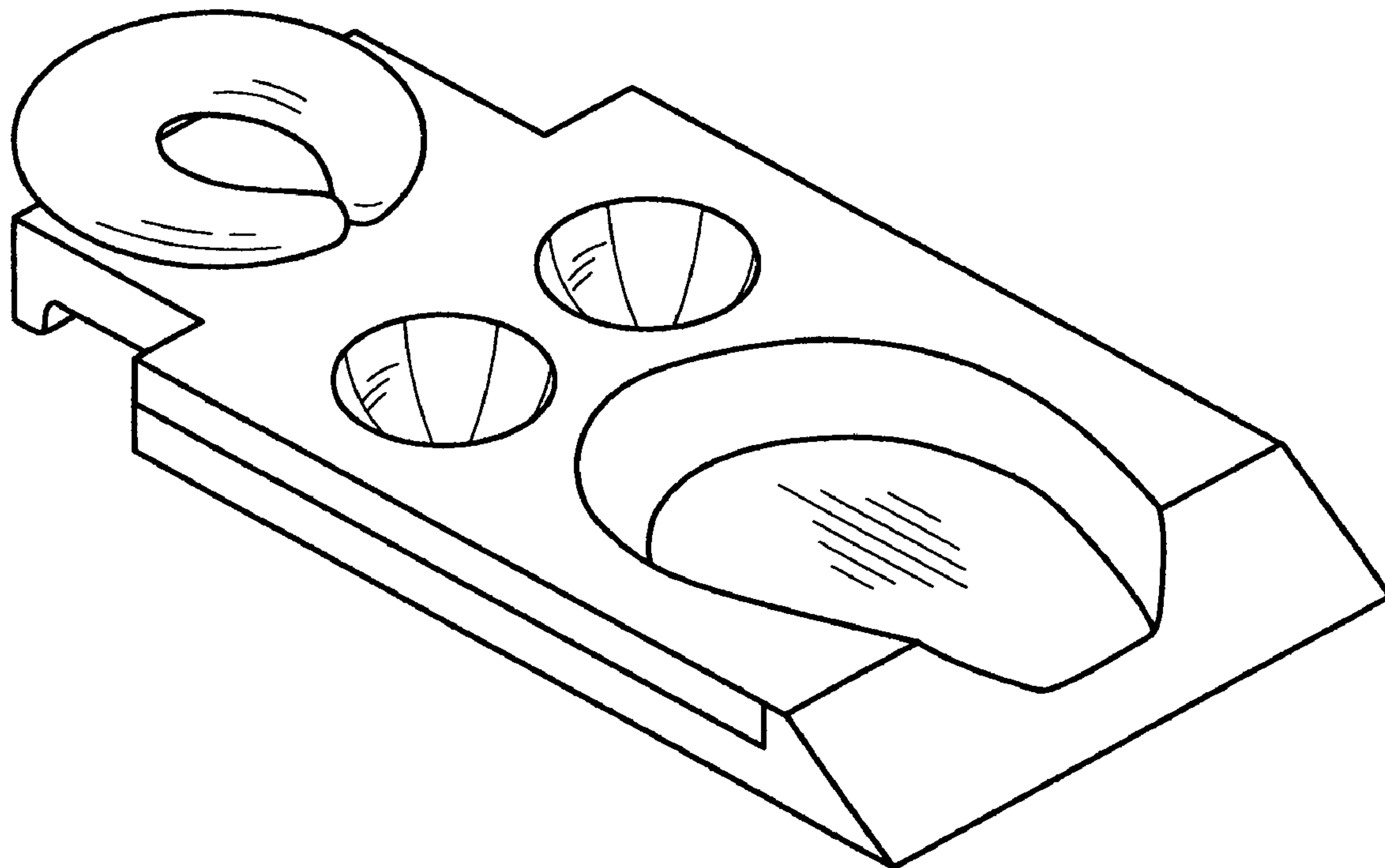


FIG. 1

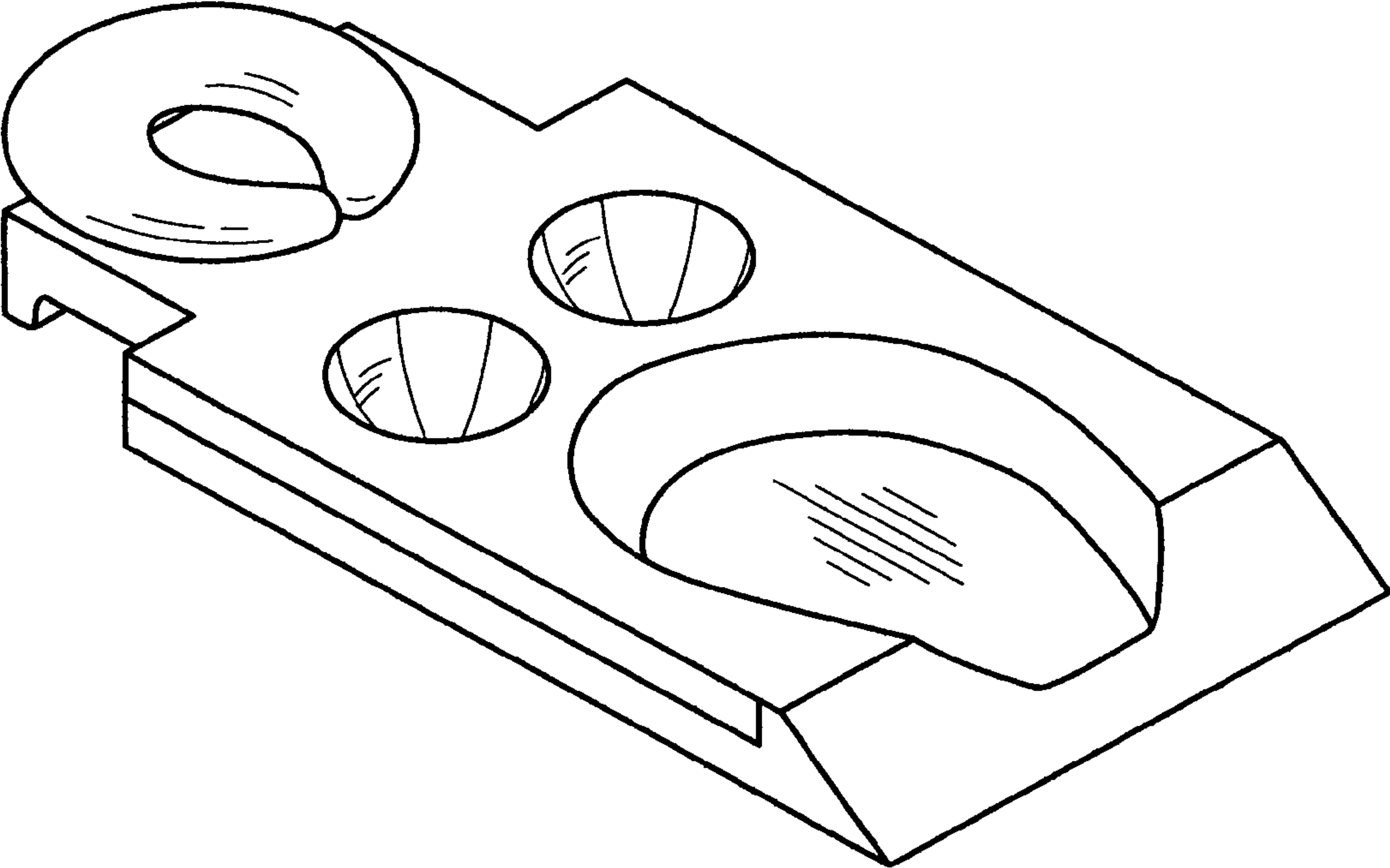


FIG. 2

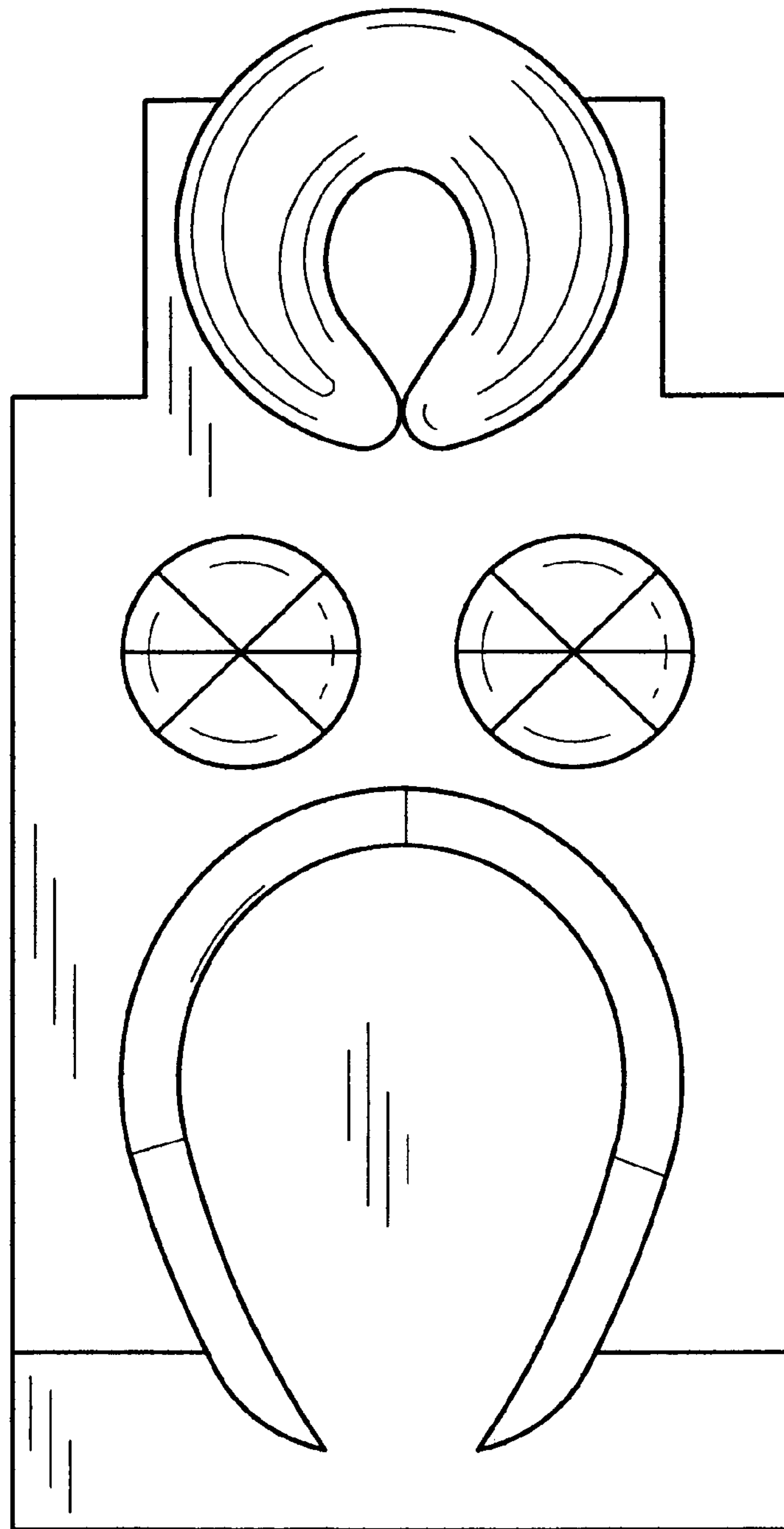


FIG. 3

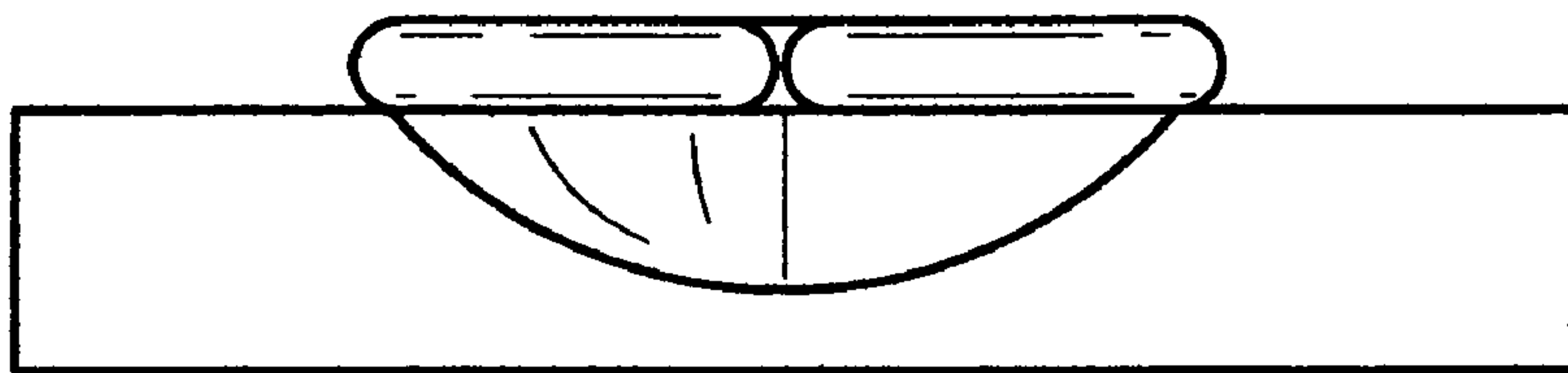


FIG. 4

