



US00D578219S

(12) **United States Design Patent**
Daggett

(10) **Patent No.:** **US D578,219 S**
(45) **Date of Patent:** **** Oct. 7, 2008**

(54) **PNEUMATIC LUMBAR THERAPY MATTRESS**

(76) Inventor: **Jonathan Daggett**, 598 E. Serena Ave.,
Fresno, CA (US) 93720

(**) Term: **14 Years**

(21) Appl. No.: **29/302,275**

(22) Filed: **Jan. 14, 2008**

(51) **LOC (8) Cl.** **24-02**

(52) **U.S. Cl.** **D24/183**

(58) **Field of Classification Search** D24/183,
D24/184, 190; D12/128, 133; D6/382, 406.5,
D6/596, 601, 604, 633; 5/81, 1 HS, 428,
5/625, 627, 630, 634, 636, 644-645, 925
See application file for complete search history.

(56) **References Cited**

U.S. PATENT DOCUMENTS

4,989,591 A	2/1991	Anders, Jr.	
5,054,142 A	10/1991	Owens	
D328,349 S *	7/1992	Waldrop	D24/183
D356,919 S *	4/1995	Nadeau	D6/382
D359,189 S *	6/1995	Righini	D6/604
D360,554 S *	7/1995	Righini	D6/601
D369,054 S *	4/1996	Straub et al.	D6/333
D369,934 S *	5/1996	Straub et al.	D6/596
D370,066 S *	5/1996	Kennemore	D24/183
5,755,647 A	5/1998	Watnik	

D405,291 S *	2/1999	Yu	D6/406.5
6,117,095 A	9/2000	Daggett et al.	
6,478,721 B1	11/2002	Hunter	
6,488,640 B2	12/2002	Hood, Jr. et al.	
6,692,451 B2	2/2004	Splane, Jr.	
D521,301 S *	5/2006	Dickson	D6/601
D543,064 S *	5/2007	Hale	D6/596
D543,407 S *	5/2007	Thom	D6/604
D555,408 S *	11/2007	Keilhauer	D6/601
D557,420 S *	12/2007	Stillwell	D24/183

* cited by examiner

Primary Examiner—Robert A. Delehanty

Assistant Examiner—Mark Cavanna

(57) **CLAIM**

The ornamental design for a pneumatic lumbar therapy mattress, as shown and described.

DESCRIPTION

FIG. 1 is a perspective view of a pneumatic lumbar therapy mattress showing my new design;

FIG. 2 is a left side elevational view thereof;

FIG. 3 is a right side elevational view thereof;

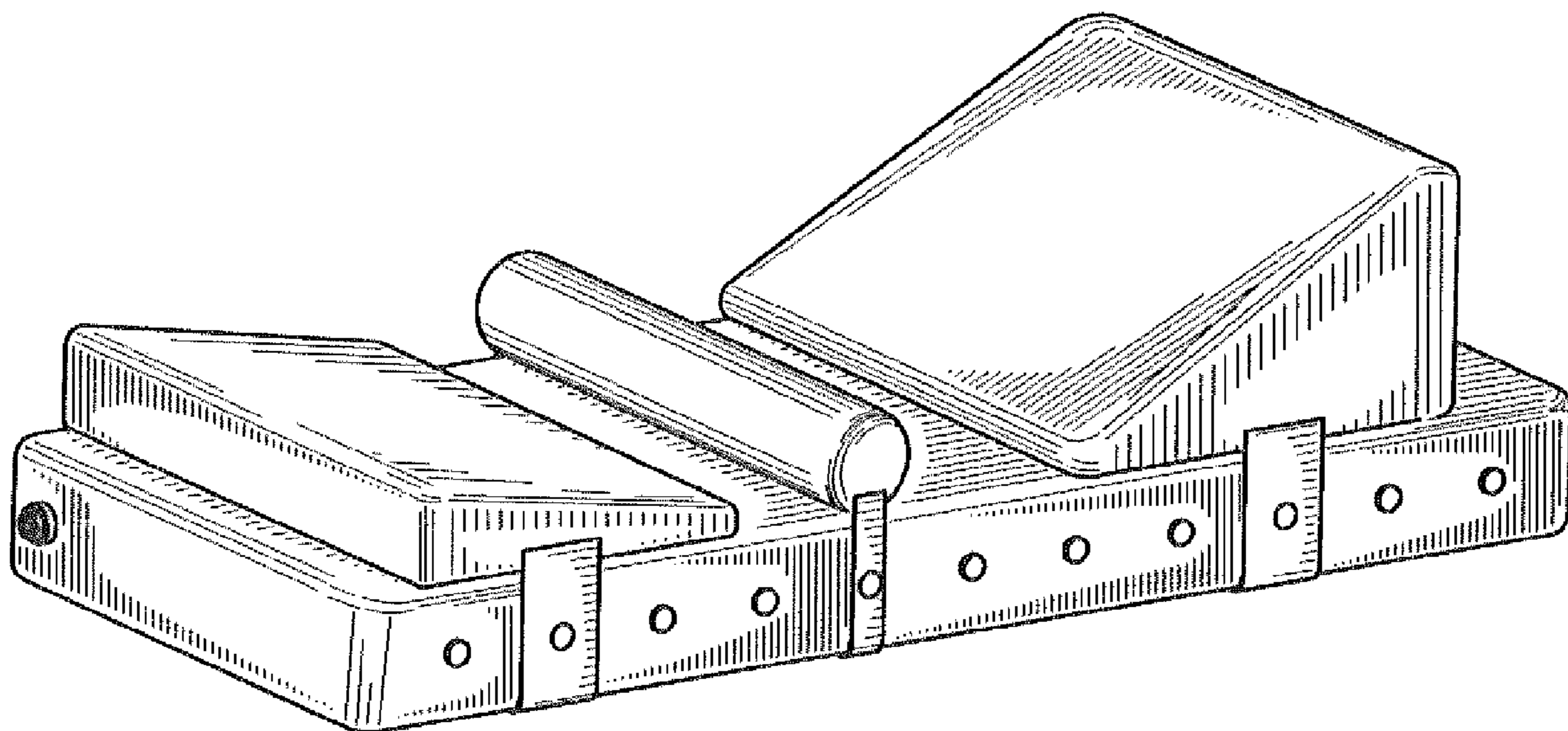
FIG. 4 is a front elevational view thereof;

FIG. 5 is a rear elevational view thereof;

FIG. 6 is a top plan view; and,

FIG. 7 is a bottom plan view thereof.

1 Claim, 3 Drawing Sheets



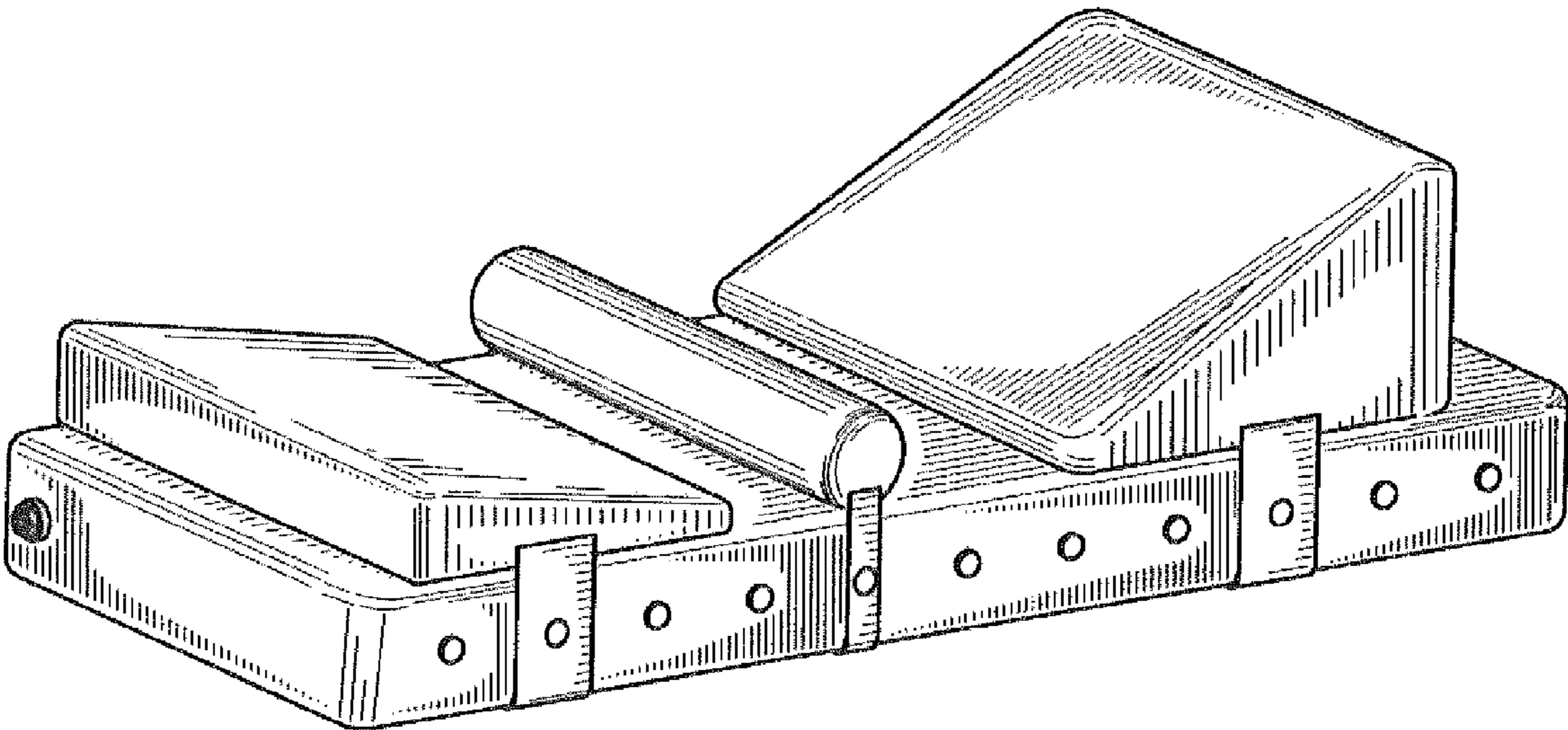


Fig. 1

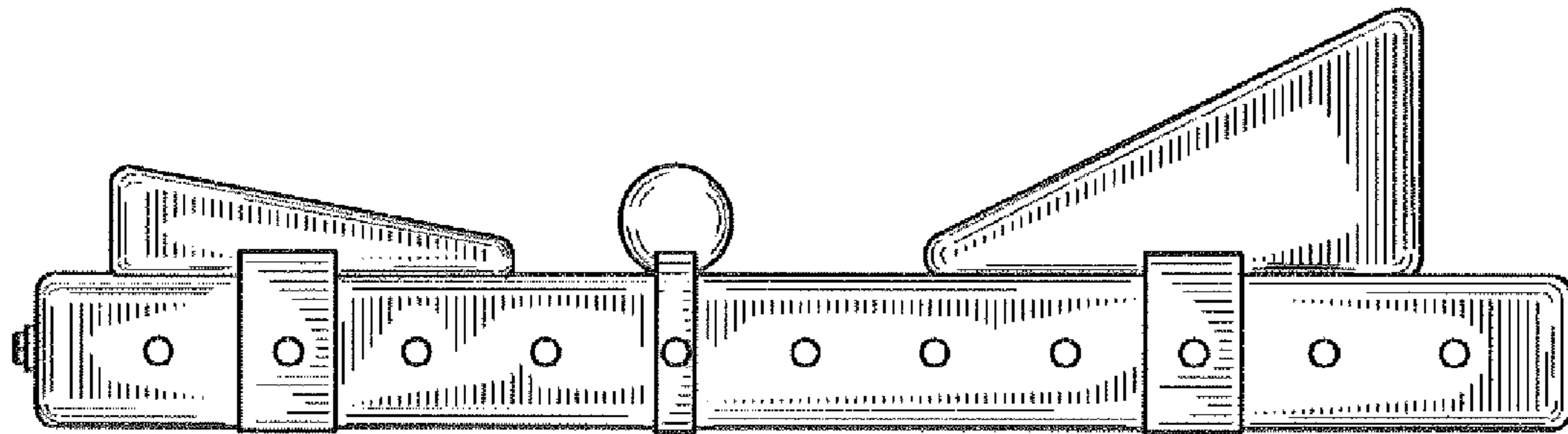


Fig. 2

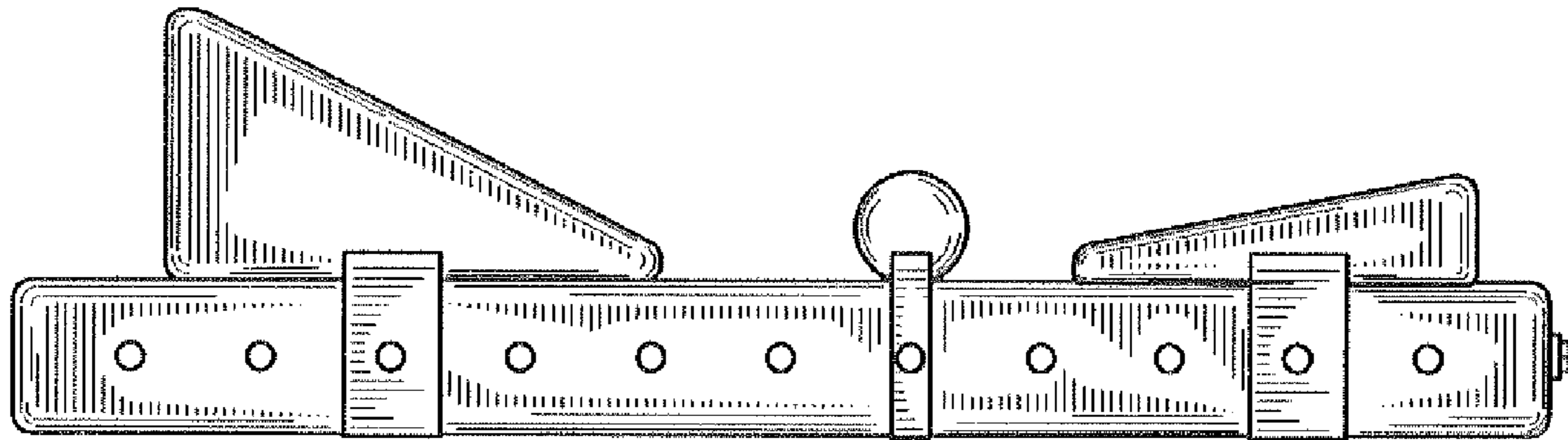


Fig. 3

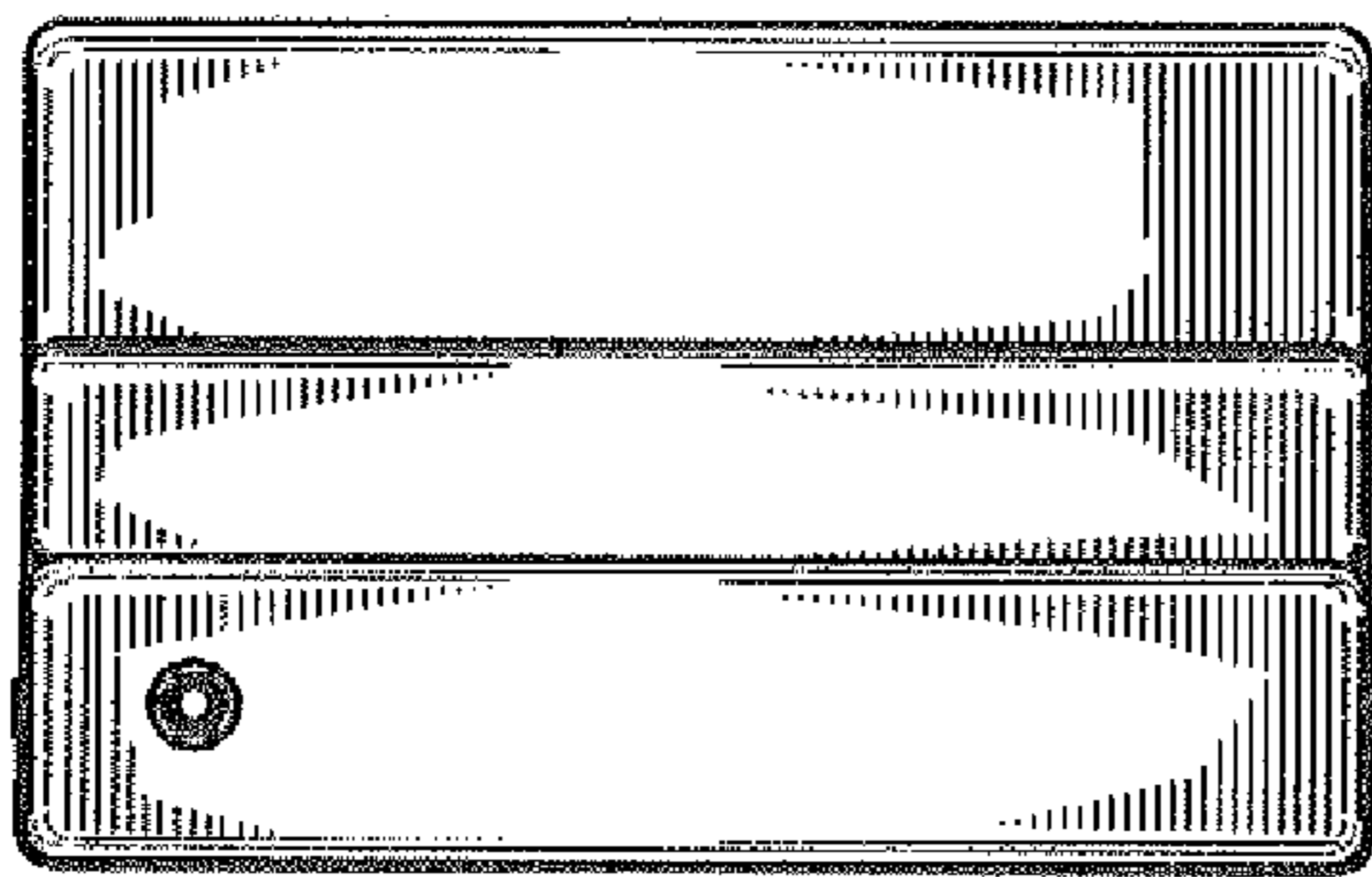


Fig. 4

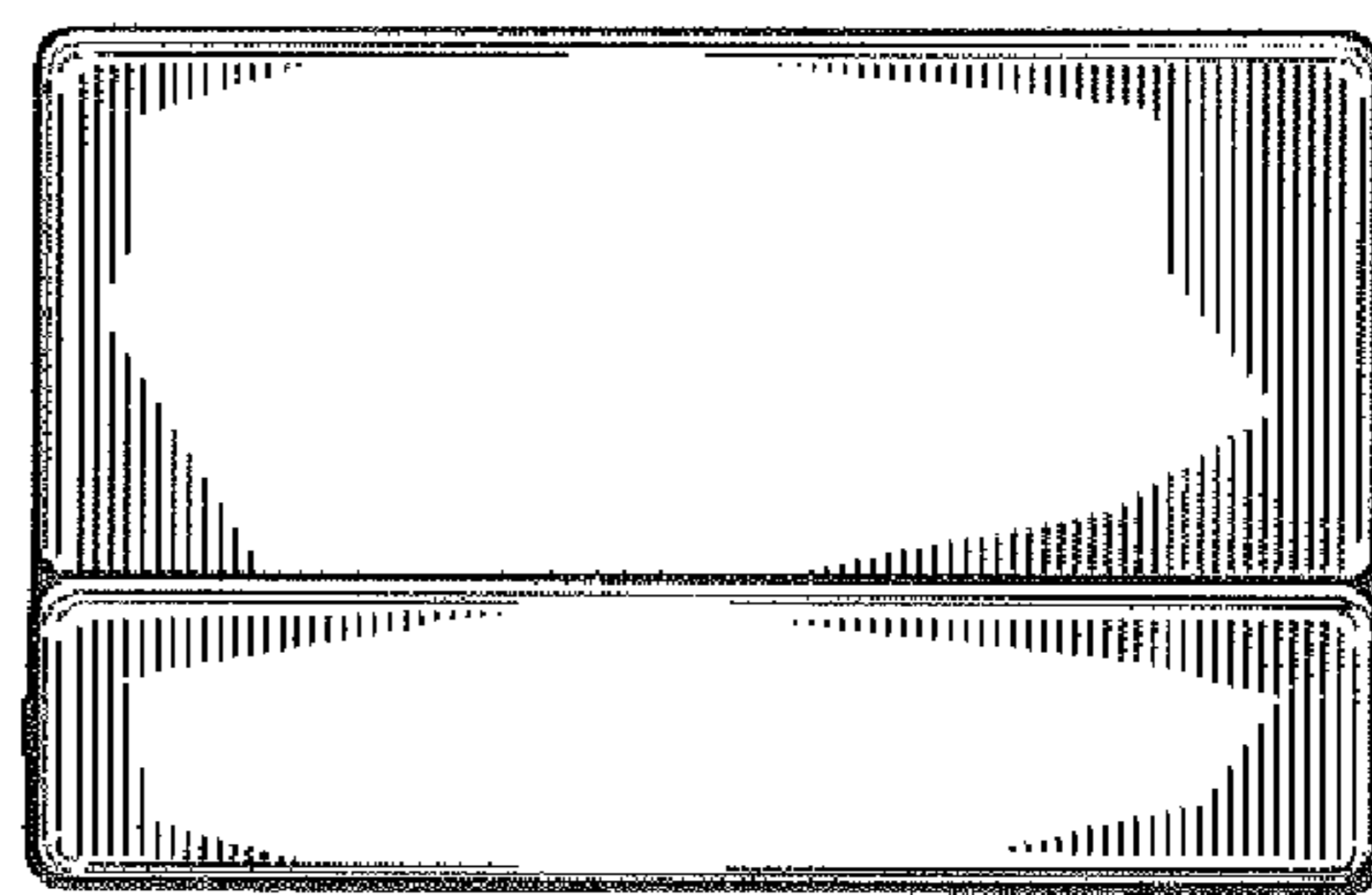


Fig. 5

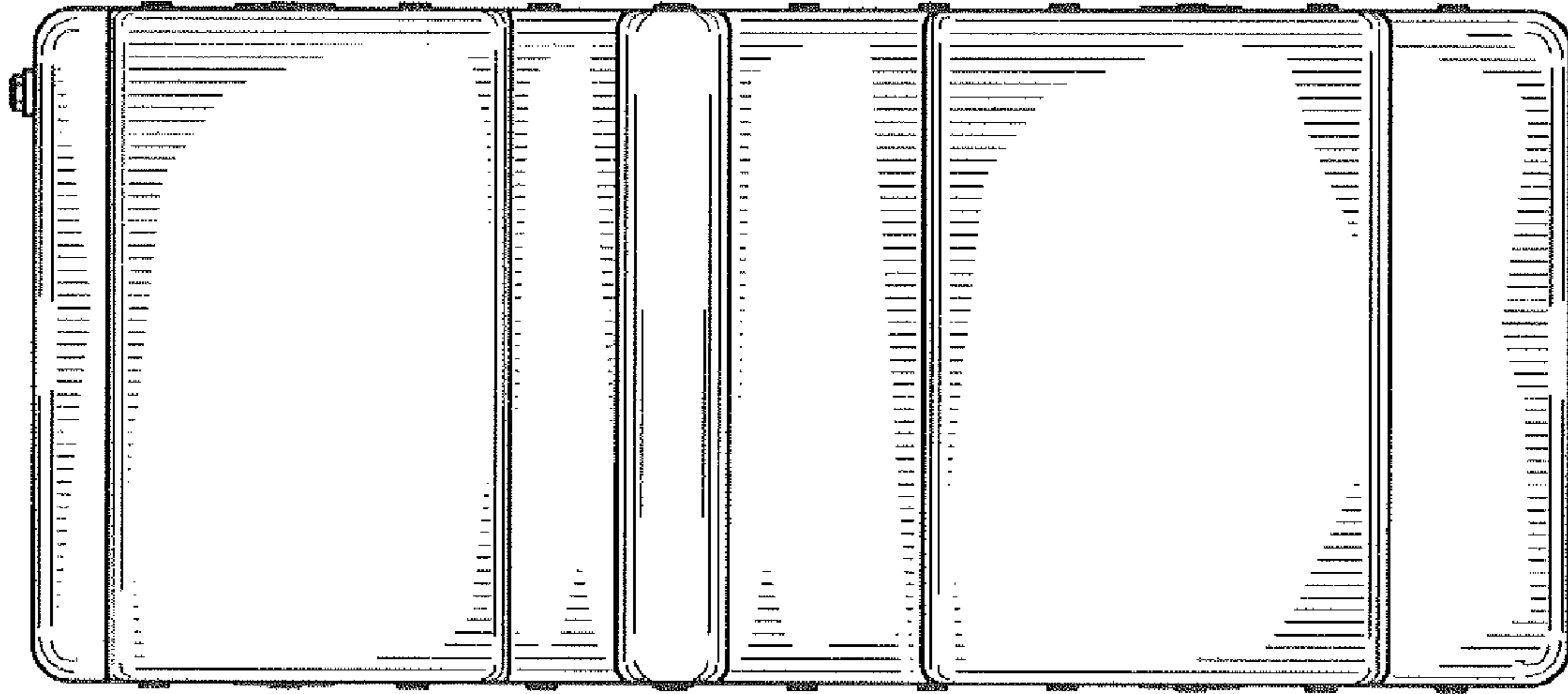


Fig. 6

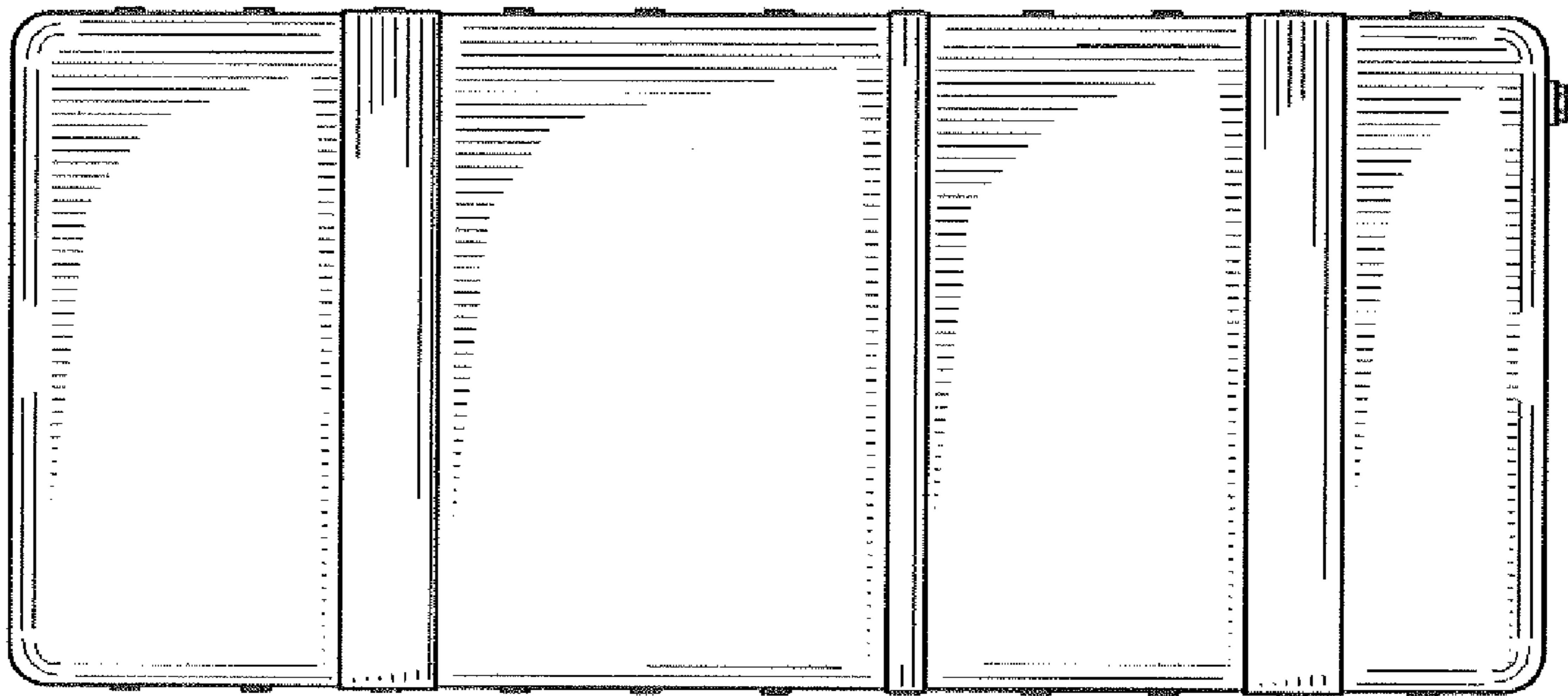


Fig. 7