

US00D578216S

(12) **United States Design Patent**
Dorn et al.

(10) **Patent No.:** **US D578,216 S**
(45) **Date of Patent:** **** Oct. 7, 2008**

(54) **HANDLE FOR A MEDICAL DELIVERY DEVICE**

(75) Inventors: **Jurgen Dorn**, Neulubheim (DE);
Martin Wubbeling, Mannheim (DE);
Michael Vogel, Karlsruhe (DE)

(73) Assignee: **Angiomed GMBY & Co.**
Medizintechnik KG, Karlsruhe (DE)

(**) Term: **14 Years**

(21) Appl. No.: **29/269,928**

(22) Filed: **Dec. 12, 2006**

(30) **Foreign Application Priority Data**

Jun. 12, 2006 (DE) 000552302

(51) **LOC (8) Cl.** **24-02**

(52) **U.S. Cl.** **D24/133; D24/147**

(58) **Field of Classification Search** D24/133,
D24/144-147; 606/42, 108, 194-195; 623/1.11,
623/1.23, 903

See application file for complete search history.

(56) **References Cited**

U.S. PATENT DOCUMENTS

- 2,937,446 A * 5/1960 Weisenfeld 433/146
- 3,468,030 A * 9/1969 Nivison et al. 433/136
- D263,742 S * 4/1982 Albert D24/152
- D336,957 S * 6/1993 Koros et al. D24/147
- D342,573 S * 12/1993 Cerola D24/147
- D379,510 S * 5/1997 Bays D24/133
- D387,863 S * 12/1997 Herman et al. D24/133
- 6,099,525 A * 8/2000 Cosmescu 606/41
- 6,146,353 A * 11/2000 Platt, Jr. 604/22
- D453,833 S * 2/2002 Hess D24/144
- D457,955 S * 5/2002 Bilitz D24/133
- 6,395,017 B1 5/2002 Dwyer et al.
- 6,402,748 B1 * 6/2002 Schoenman et al. 606/45
- D460,331 S * 7/2002 Mangione D8/51

- 6,471,659 B2 10/2002 Eggers et al.
- 6,575,991 B1 6/2003 Chesbrough et al.
- 6,638,235 B2 10/2003 Miller et al.
- D490,895 S * 6/2004 Bogazzi D24/133
- 6,758,824 B1 7/2004 Miller et al.
- 6,866,669 B2 * 3/2005 Buzzard et al. 606/108
- 6,936,014 B2 8/2005 Vetter et al.
- D519,635 S * 4/2006 Hudak D24/152
- D521,641 S * 5/2006 Reschke et al. D24/144
- 2003/0004508 A1 * 1/2003 Morgan et al. 606/41
- 2004/0006380 A1 1/2004 Buck et al.
- 2004/0081939 A1 * 4/2004 Rosenstatter 433/126
- 2004/0122312 A1 6/2004 Chesbrough et al.
- 2004/0162553 A1 * 8/2004 Peng et al. 606/42
- 2004/0181239 A1 9/2004 Dorn et al.
- 2004/0186547 A1 9/2004 Dorn et al.
- 2005/0021123 A1 1/2005 Dorn et al.

(Continued)

Primary Examiner—Ian Simmons
Assistant Examiner—Wan Laymon

(57) **CLAIM**

The ornamental design for a handle for a medical delivery device, as shown and described.

DESCRIPTION

FIG. 1 is a left and top perspective view of a handle for a medical delivery device showing our new design;

FIG. 2 is a front view thereof;

FIG. 3 is a rear view thereof;

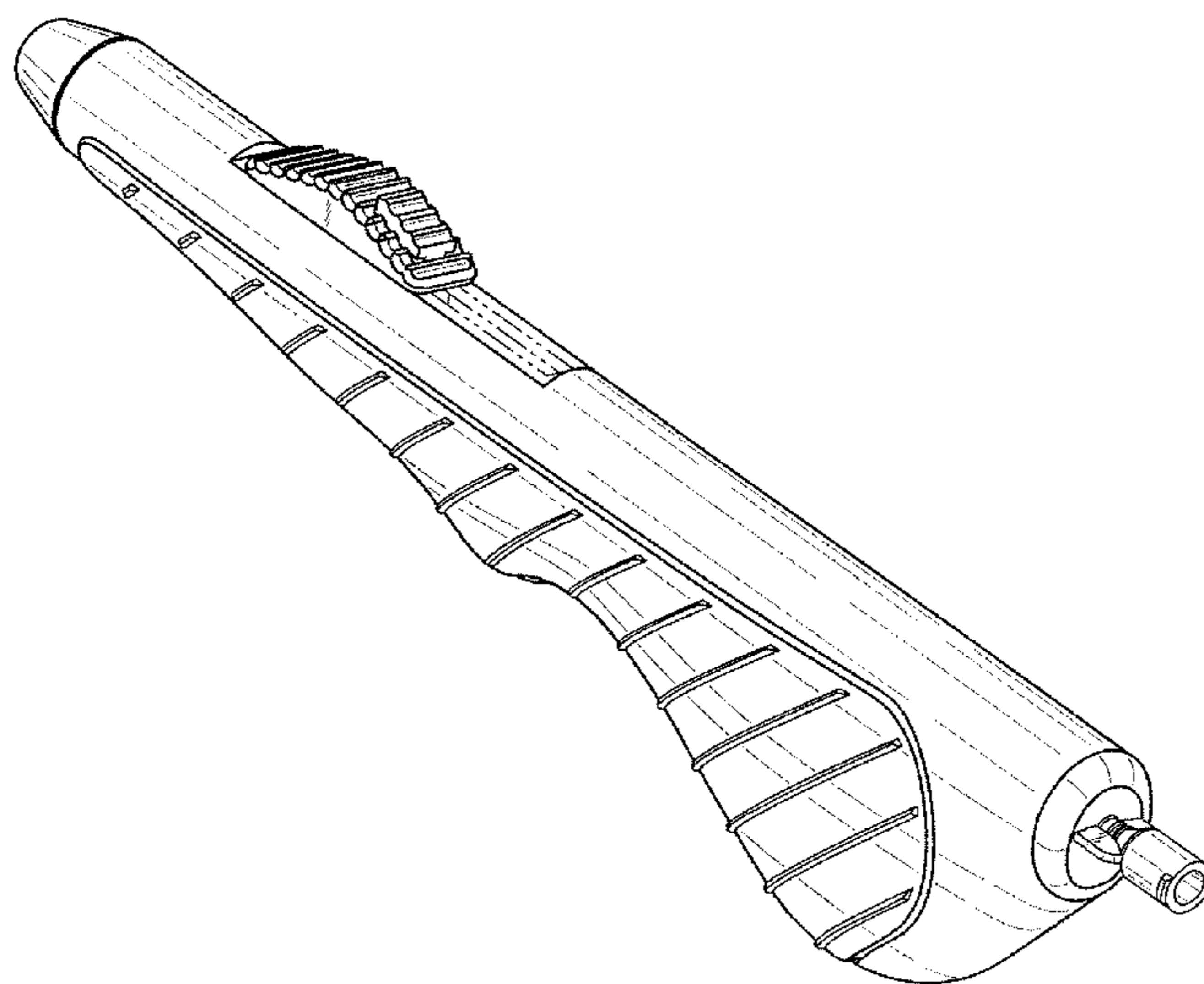
FIG. 4 is a left side view, the right side view being a mirror image thereof;

FIG. 5 is a top plan view thereof; and,

FIG. 6 is a bottom plan view thereof.

Portions in the figures that are in broken line are intended to show environmental structure or boundaries, and therefore form no part of the design to be patented.

1 Claim, 4 Drawing Sheets



US D578,216 S

Page 2

U.S. PATENT DOCUMENTS

2005/0060016	A1*	3/2005	Wu et al.	623/1.11	2007/0100429	A1*	5/2007	Wu et al.	623/1.11
2005/0273151	A1	12/2005	Fulkerson et al.		2007/0156224	A1*	7/2007	Cioanta et al.	623/1.11
2006/0052774	A1*	3/2006	Garrison et al.	606/42	2007/0168014	A1	7/2007	Jumenez et al.	
2006/0224083	A1	10/2006	Clifford et al.		2007/0203503	A1*	8/2007	Salahieh et al.	606/108
2006/0241411	A1	10/2006	Field et al.		2008/0033427	A1*	2/2008	Seid	606/42

* cited by examiner

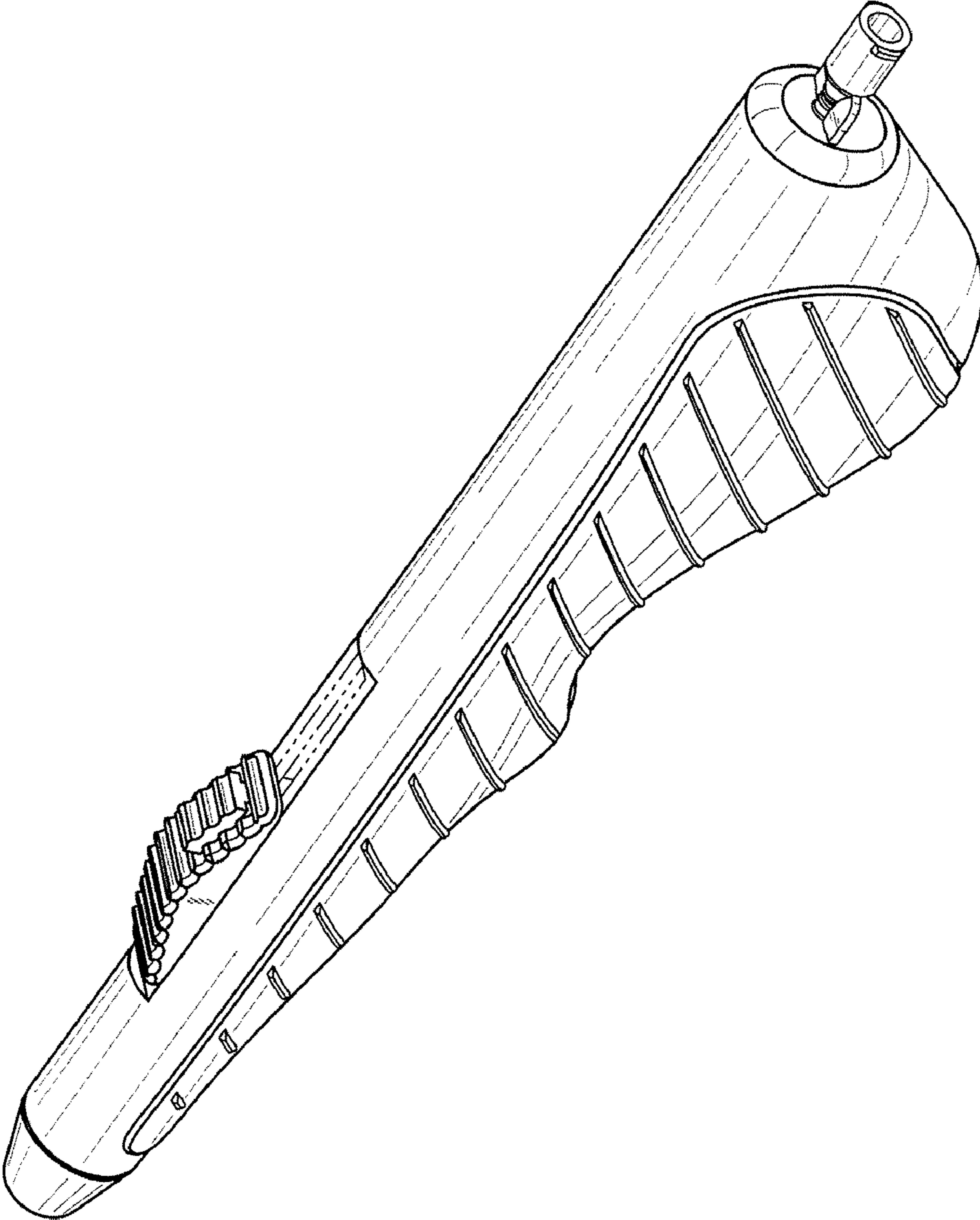


Fig. 1

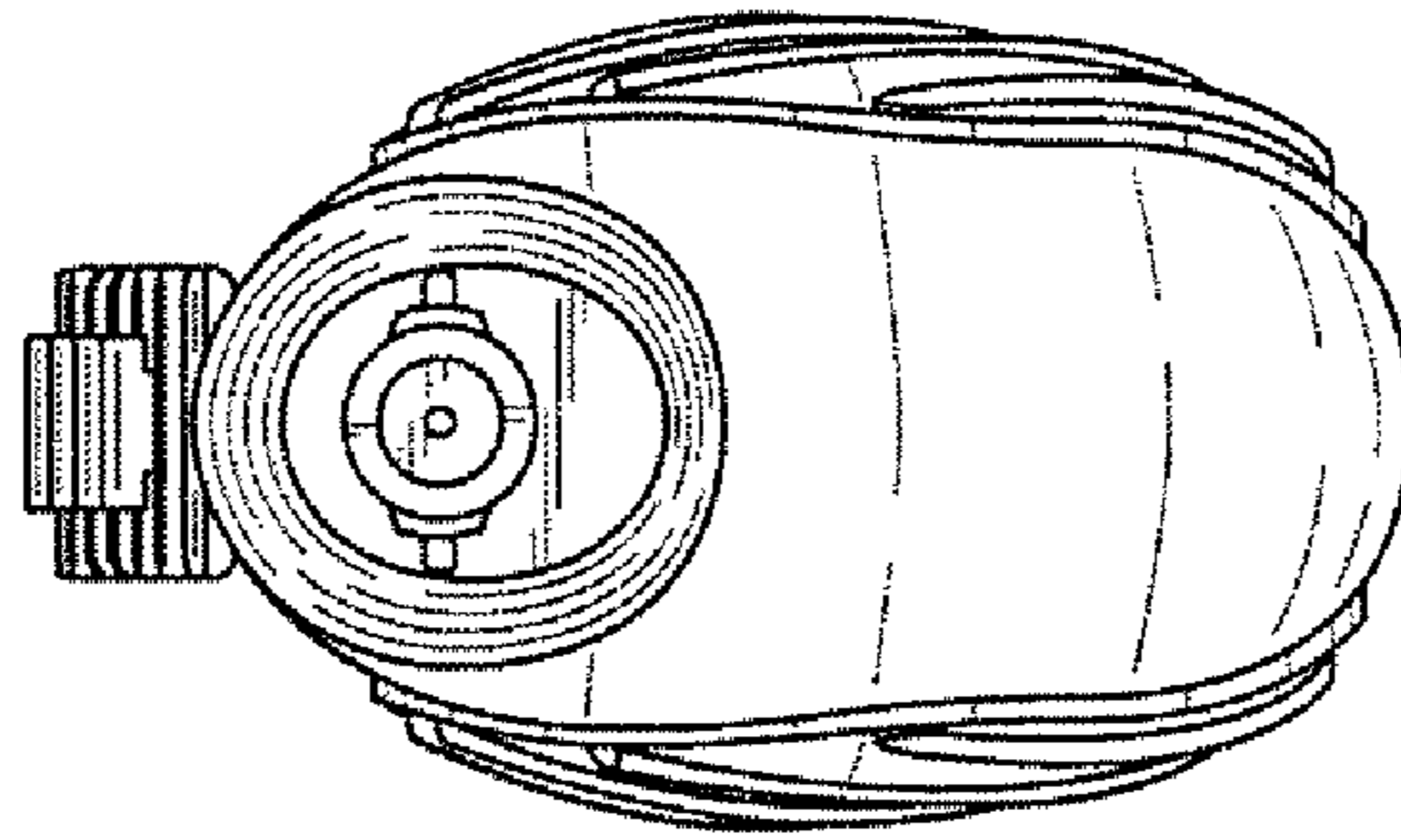


Fig. 3

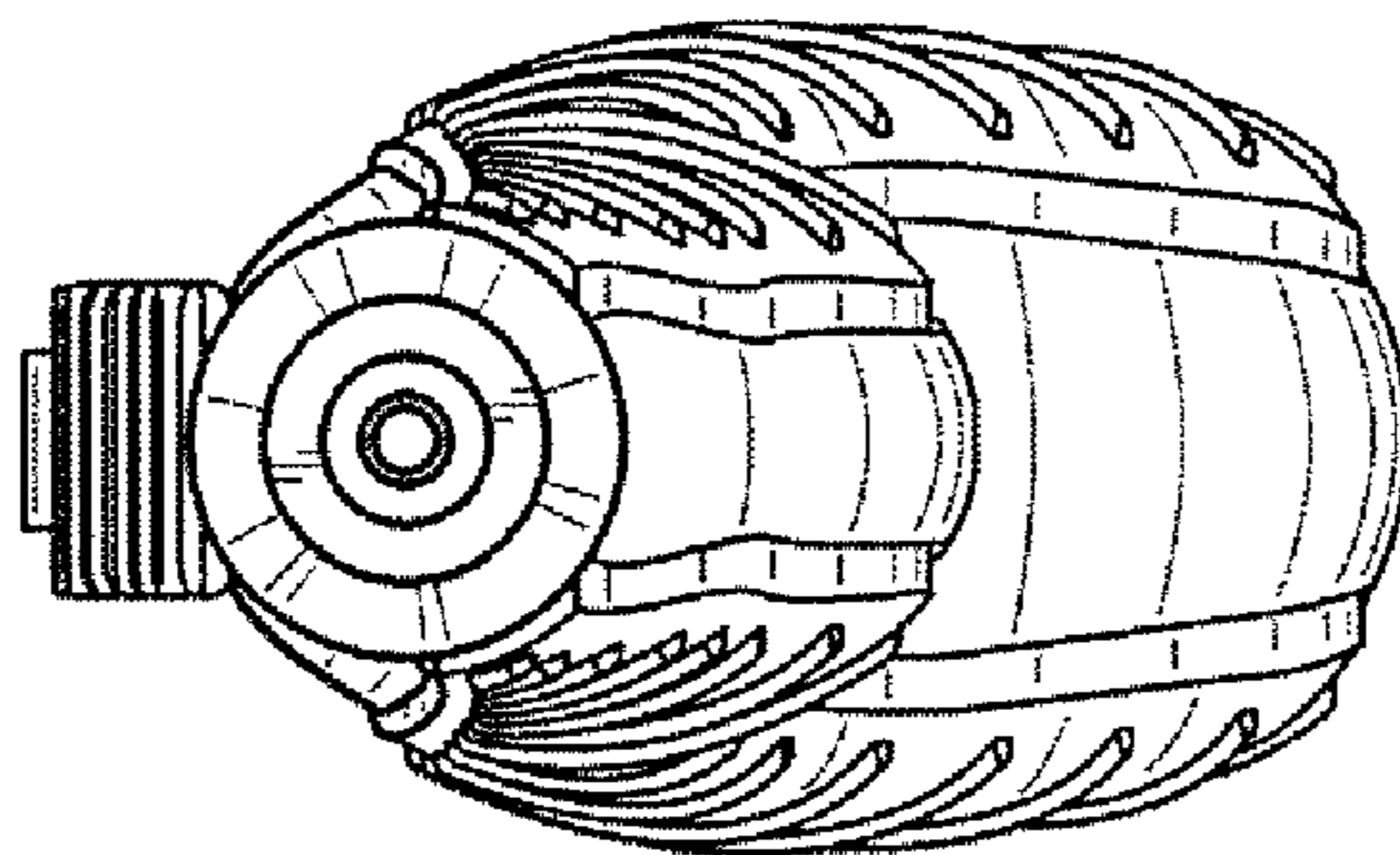


Fig. 2

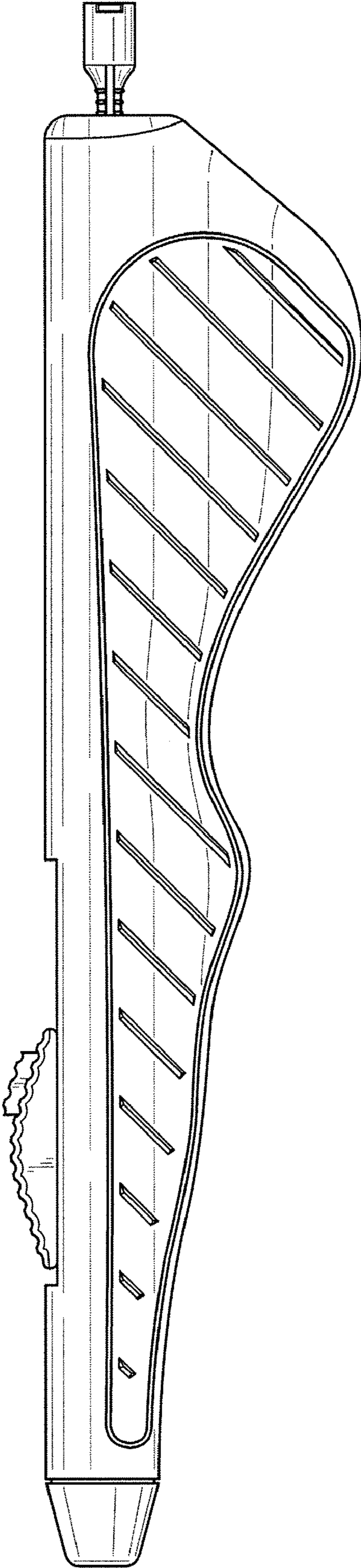


Fig. 4

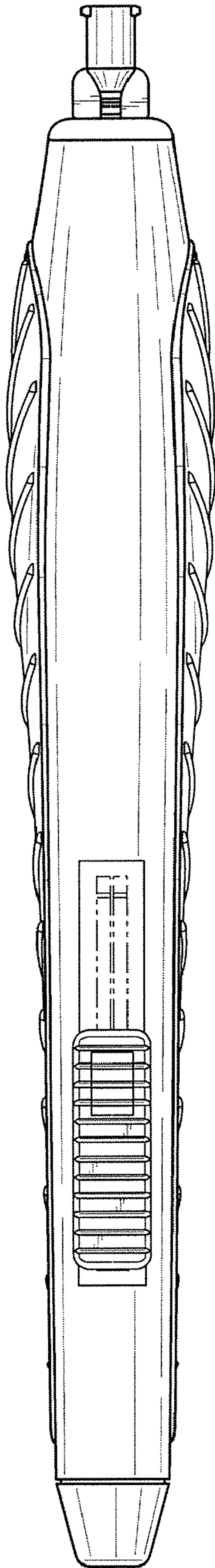


Fig. 5

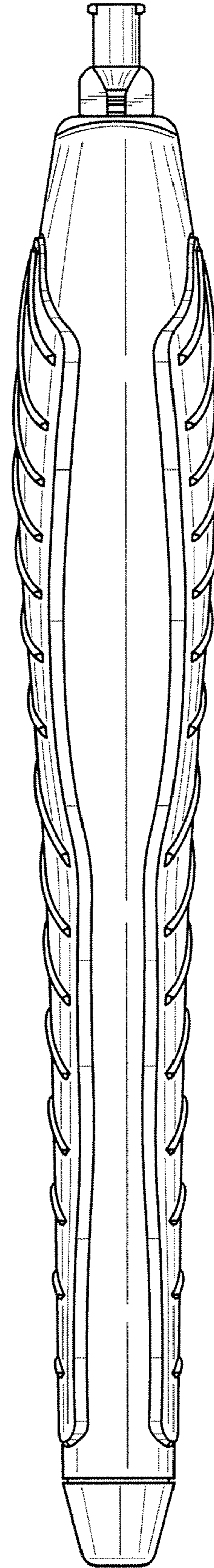


Fig. 6