



US00D578215S

(12) **United States Design Patent**  
**Helder et al.**

(10) **Patent No.:** **US D578,215 S**  
(45) **Date of Patent:** **\*\* Oct. 7, 2008**

(54) **NEEDLE HOLDER**

(75) Inventors: **Paulus Cornelius Helder**, Breda (NL);  
**Rudolf Eduard Kraan**, Stein (NL);  
**Mauritius Johannes Mathijs Maria**  
**Roost**, Landgraaf (NL)

(73) Assignee: **Cum Suis BNT B.V.**, Rotterdam (NL)

(\*\*) Term: **14 Years**

(21) Appl. No.: **29/289,853**

(22) Filed: **Aug. 3, 2007**

(30) **Foreign Application Priority Data**

Apr. 10, 2007 (EM) ..... 000703731-0001

(51) **LOC (8) Cl.** ..... **24-02**

(52) **U.S. Cl.** ..... **D24/130; D24/128**

(58) **Field of Classification Search** ..... D24/112,  
D24/114, 130, 144, 133; 604/195, 181, 110,  
604/130, 87, 227, 232, 228, 191, 220, 222,  
604/224, 218, 241–242, 164.01–164.11,  
604/41, 43, 44, 133

See application file for complete search history.

(56) **References Cited**

**U.S. PATENT DOCUMENTS**

5,106,376 A \* 4/1992 Mononen et al. .... 604/164.11  
5,250,035 A \* 10/1993 Smith et al. .... 604/168.01  
D349,573 S \* 8/1994 Bookwalter et al. .... D24/128  
5,466,225 A \* 11/1995 Davis et al. .... 604/164.11  
5,571,091 A \* 11/1996 Davis et al. .... 604/164.11  
5,690,619 A \* 11/1997 Erskine ..... 604/263

5,865,806 A \* 2/1999 Howell ..... 604/164.12  
D439,337 S \* 3/2001 Jones ..... D24/144  
D449,686 S \* 10/2001 Adler et al. .... D24/128  
6,558,353 B2 \* 5/2003 Zohmann ..... 604/158  
D484,243 S \* 12/2003 Ryan et al. .... D24/146  
D484,596 S \* 12/2003 Ryan et al. .... D24/146  
D484,977 S \* 1/2004 Ryan et al. .... D24/146  
7,083,596 B2 \* 8/2006 Saied ..... 604/110  
2004/0133167 A1 \* 7/2004 Ferguson et al. .... 604/164.01  
2006/0167419 A1 \* 7/2006 Fiechter et al. .... 604/181  
2008/0021415 A1 \* 1/2008 Durkin et al. .... 604/246

\* cited by examiner

*Primary Examiner*—Louis S Zarfaz

*Assistant Examiner*—Eric L Goodman

(74) *Attorney, Agent, or Firm*—Abelman, Frayne & Schwab

(57) **CLAIM**

The ornamental design for a needle holder, as shown and described.

**DESCRIPTION**

FIG. 1 is a top, front, left side perspective view of my new needle holder,

FIG. 2 is a top, front, right side perspective view thereof,

FIG. 3 is a left side elevation view thereof,

FIG. 4 is a front end elevation view thereof,

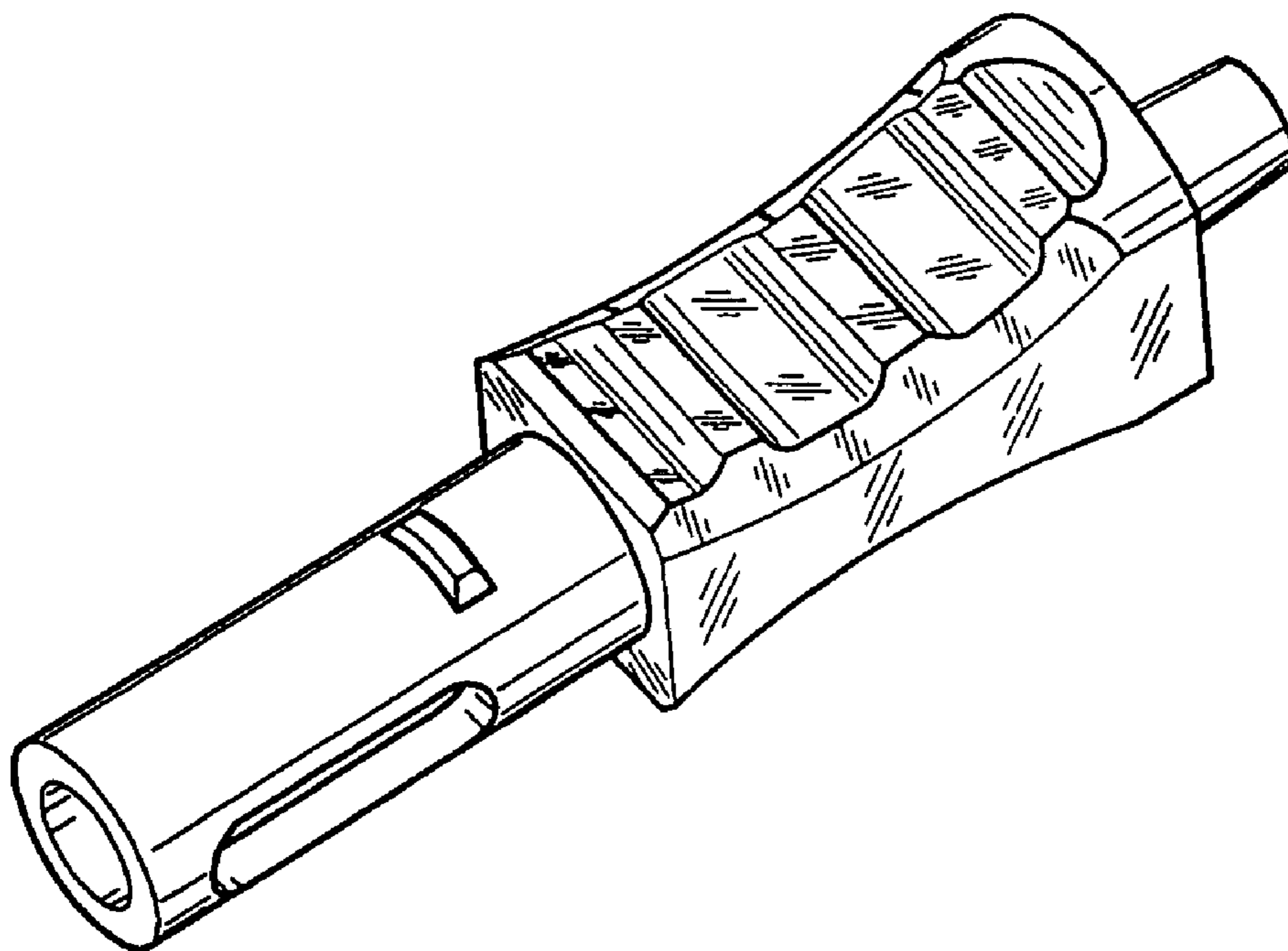
FIG. 5 is a rear end elevation view thereof,

FIG. 6 is a top plan view thereof,

FIG. 7 is a sectional view taken along line 7—7 in FIG. 3; and,

FIG. 8 is a sectional view taken along line 8—8 in FIG. 6.

**1 Claim, 3 Drawing Sheets**



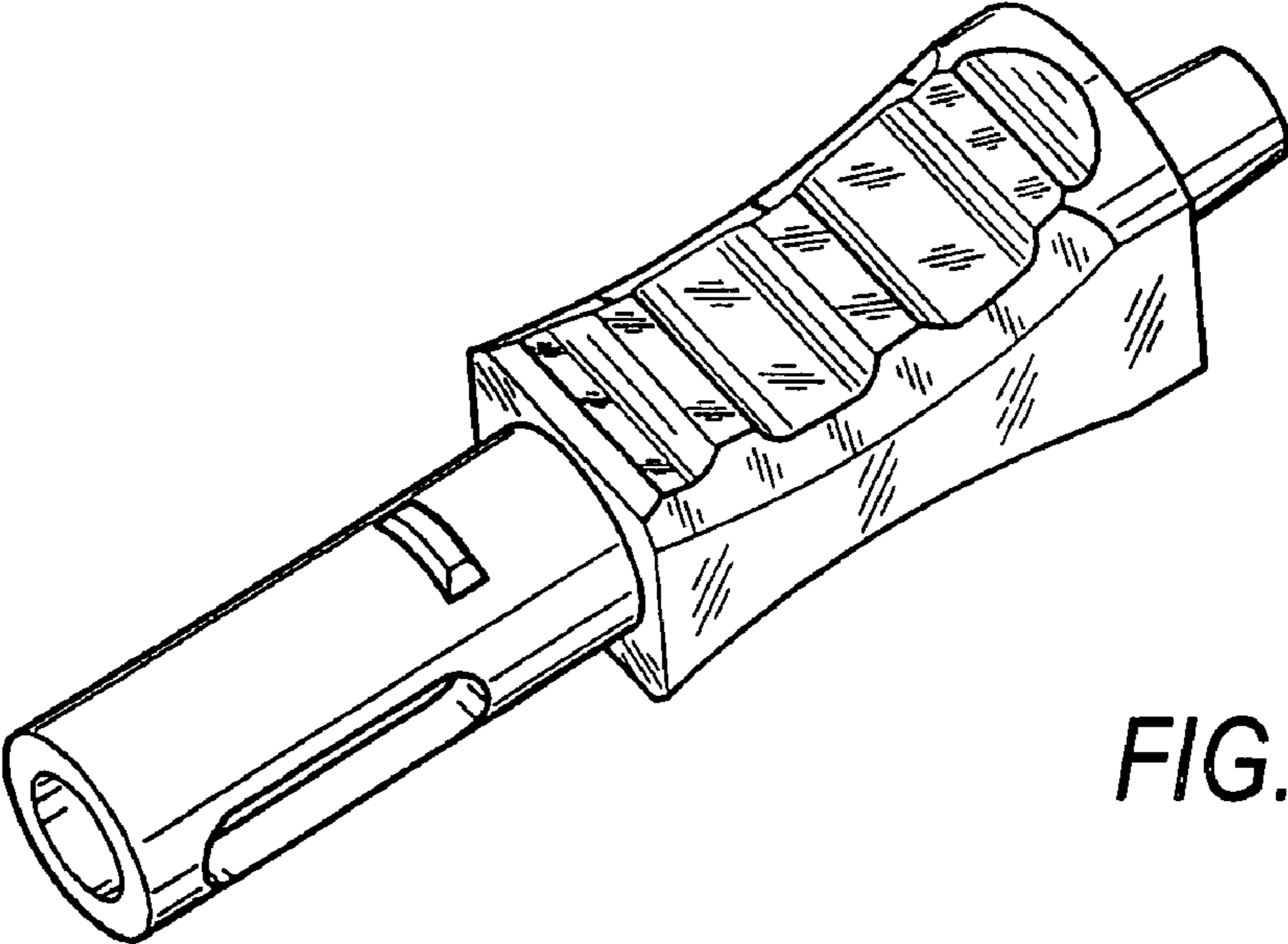


FIG. 1

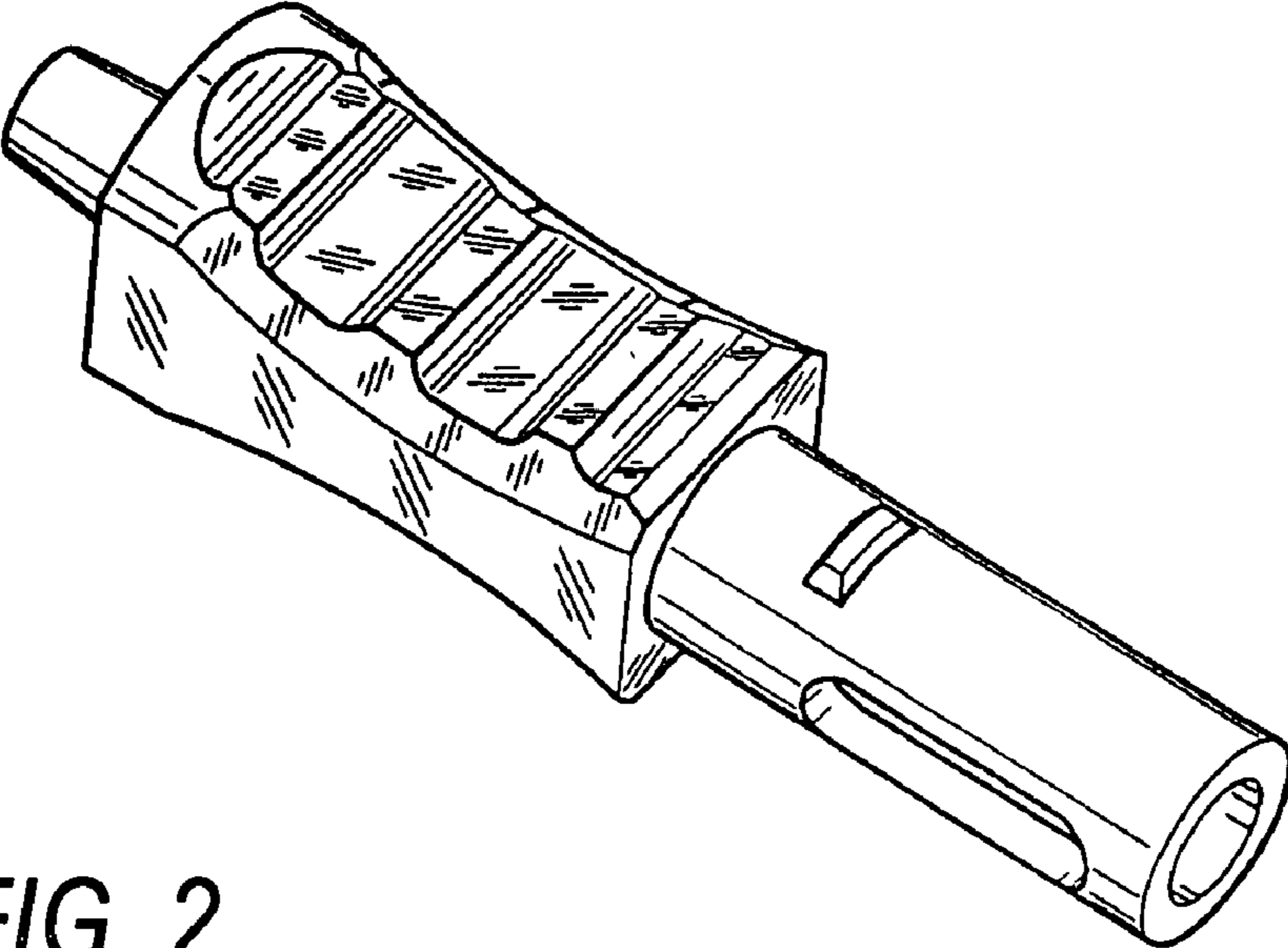


FIG. 2

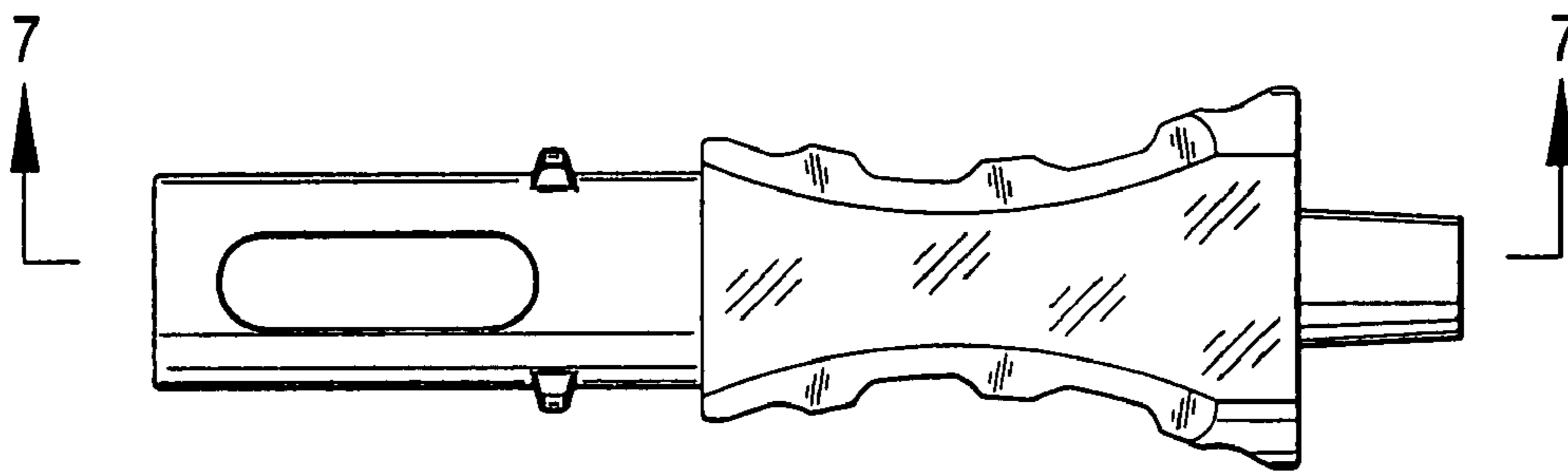


FIG. 3

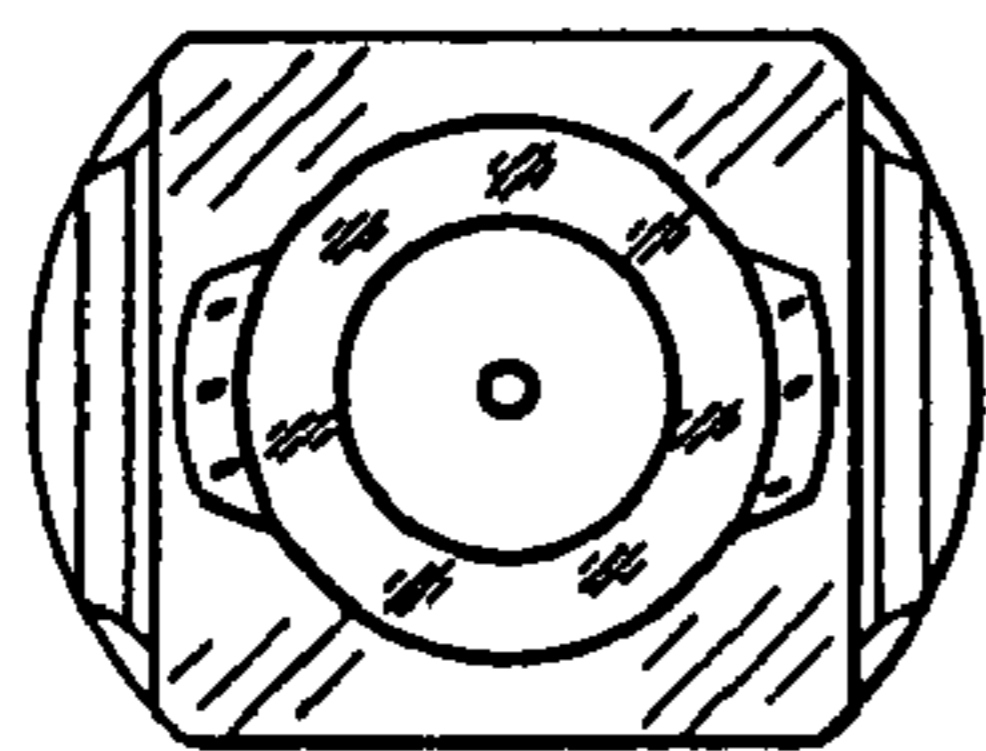


FIG. 4

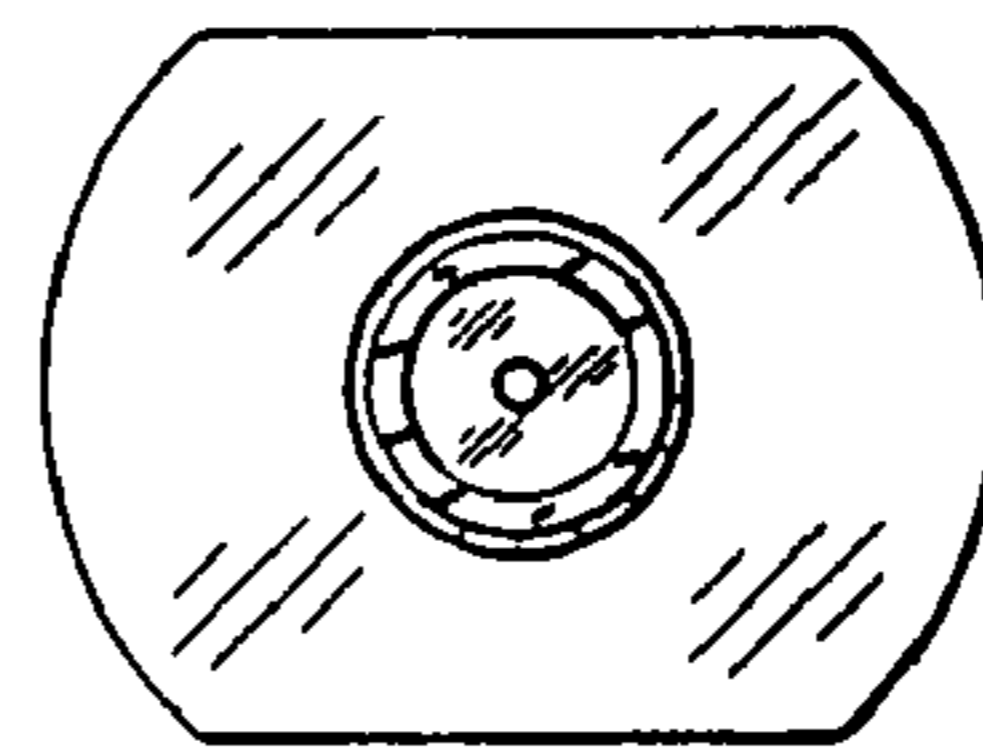


FIG. 5

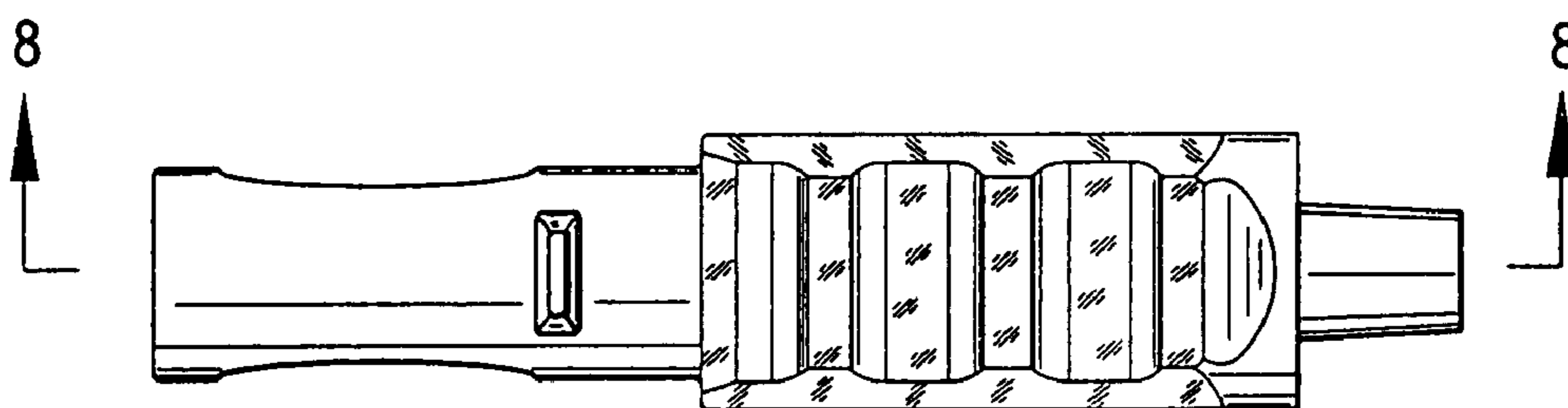


FIG. 6

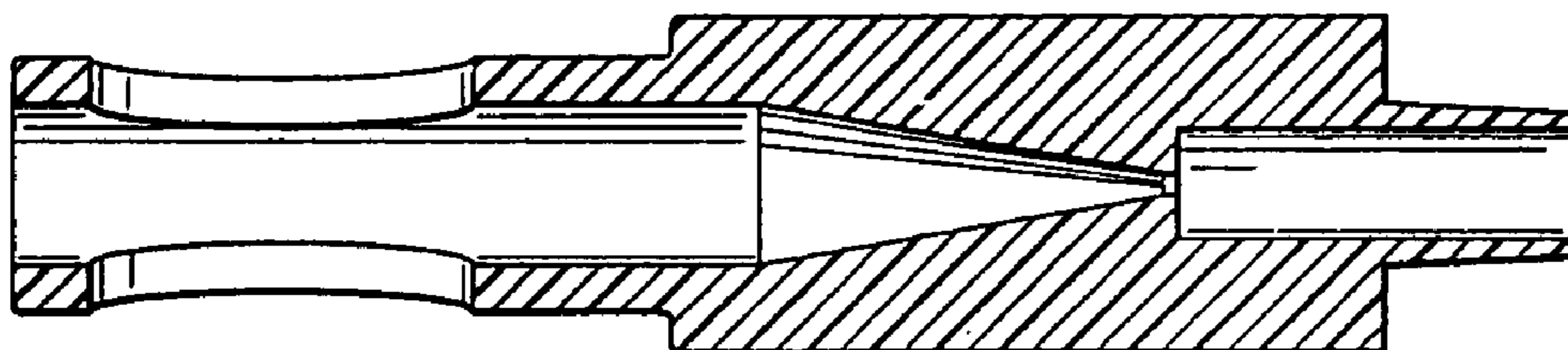


FIG. 7

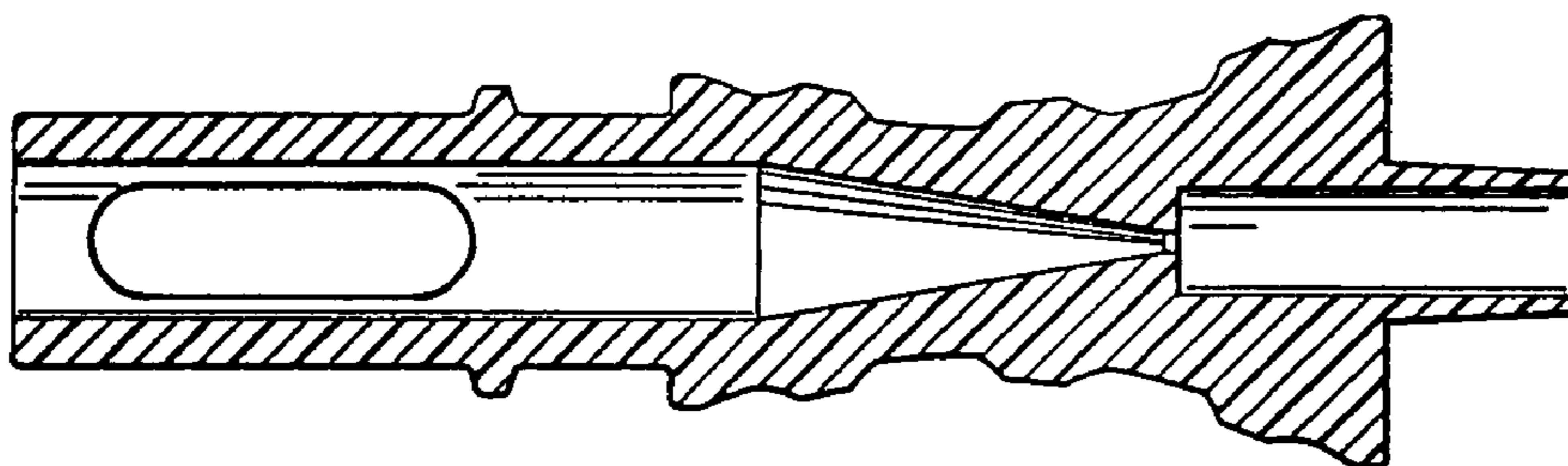


FIG. 8