



US00D578211S

(12) **United States Design Patent**
Maze et al.

(10) **Patent No.:** **US D578,211 S**
(45) **Date of Patent:** **** Oct. 7, 2008**

- (54) **MALE URINAL**
- (75) Inventors: **Jack E. Maze**, Long Grove, IL (US);
Richard A. Peterson, II, Marengo, IL
(US); **Roger K. Thompson**, Chicago, IL
(US)
- (73) Assignee: **Medline Industries, Inc.**, Mundelein, IL
(US)
- (**) Term: **14 Years**
- (21) Appl. No.: **29/294,065**
- (22) Filed: **Dec. 20, 2007**
- (51) **LOC (8) Cl.** **24-04**
- (52) **U.S. Cl.** **D24/122**
- (58) **Field of Classification Search** D24/122,
D24/123, 121, 224; D23/274, 302, 295,
D23/309, 200; 4/144.1–144.4, 459, 460;
604/317, 318, 334, 329, 403; 600/573; 141/337;
D7/700

See application file for complete search history.

(56) **References Cited**
U.S. PATENT DOCUMENTS

D248,168 S *	6/1978	Kelly	D24/122
4,270,231 A	6/1981	Zint	4/144.1
D273,133 S *	3/1984	Babic et al.	D24/122
D286,569 S	11/1986	Nakao et al.	D24/54
D288,608 S	3/1987	Dahlberg	D24/54
D297,462 S	8/1988	Meunchen	D24/54
4,769,858 A *	9/1988	Gamm et al.	4/144.3
D304,373 S *	10/1989	Floyd	D24/122
5,007,116 A	4/1991	Yamamoto	4/144.2
5,065,459 A	11/1991	Tjahaja et al.	4/144.2
5,235,705 A	8/1993	Belisle	4/144.3
5,343,570 A	9/1994	Arpaia et al.	4/144.1
5,458,252 A	10/1995	Logel	215/271
D371,842 S *	7/1996	Pilsworth	D24/122
5,655,229 A	8/1997	Horn	4/144.3
D389,240 S *	1/1998	Corona	D24/122
5,722,096 A	3/1998	Pfaeffle	4/144.1
5,797,147 A *	8/1998	Young et al.	4/144.1
D399,308 S *	10/1998	Garlock	D24/122

5,839,123 A	11/1998	Dunham, Sr.	4/144.1
5,947,309 A	9/1999	Anderson	214/44
6,021,529 A *	2/2000	Abbato	4/144.1
6,070,275 A	6/2000	Garlock	4/144.1
D429,321 S *	8/2000	Gouget	D23/302
6,109,441 A	8/2000	Anderson	206/526
D430,655 S	9/2000	Anderson	D23/302
6,119,280 A	9/2000	Rentsch	4/144.1
6,163,892 A	12/2000	Abbato	4/144.1
D439,970 S *	4/2001	Fisher et al.	D24/121
6,212,691 B1	4/2001	Heberer	4/144.1
6,270,488 B1 *	8/2001	Johnson et al.	604/403
6,588,024 B2	7/2003	Koelliker et al.	4/144.1
D482,780 S	11/2003	Robbins et al.	D24/122
D497,981 S	11/2004	Call	D23/302
6,941,587 B1	9/2005	Fletcher	4/144.3
6,968,577 B1	11/2005	Taft, Jr.	4/144.1
7,153,294 B1 *	12/2006	Farrow	604/317
7,251,843 B2	8/2007	Malloy et al.	4/144.1
2003/0014808 A1	1/2003	Koelliker et al.	4/144.1
2005/0097660 A1	5/2005	Malloy, Sr. et al.	4/144.1
2005/0097661 A1	5/2005	Malloy et al.	4/144.1
2007/0136936 A1	6/2007	Malloy, Sr. et al.	4/144.1

* cited by examiner

Primary Examiner—Louis S Zarfaz
Assistant Examiner—David G Muller
(74) *Attorney, Agent, or Firm*—Nixon Peabody LLP

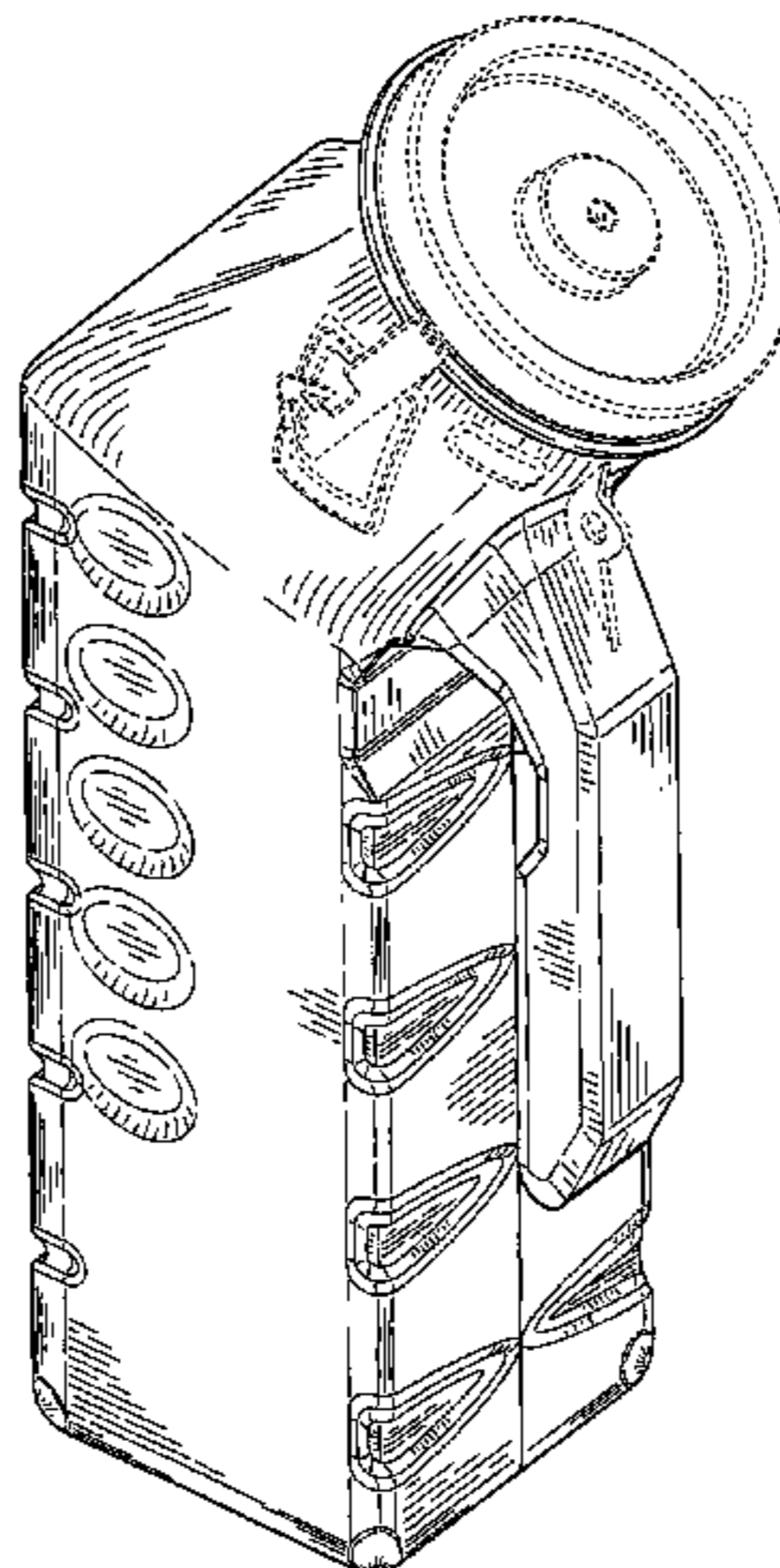
(57) **CLAIM**

The ornamental design for male urinal, as shown and described.

DESCRIPTION

FIG. 1 is a front perspective view of the male urinal showing our new design;
FIG. 2 is a side elevation view thereof;
FIG. 3 is an opposite side elevation view thereof;
FIG. 4 is a top plan view thereof;
FIG. 5 is a bottom plan view thereof;
FIG. 6 is a front elevation view thereof; and,
FIG. 7 is a back elevation view thereof.

1 Claim, 6 Drawing Sheets



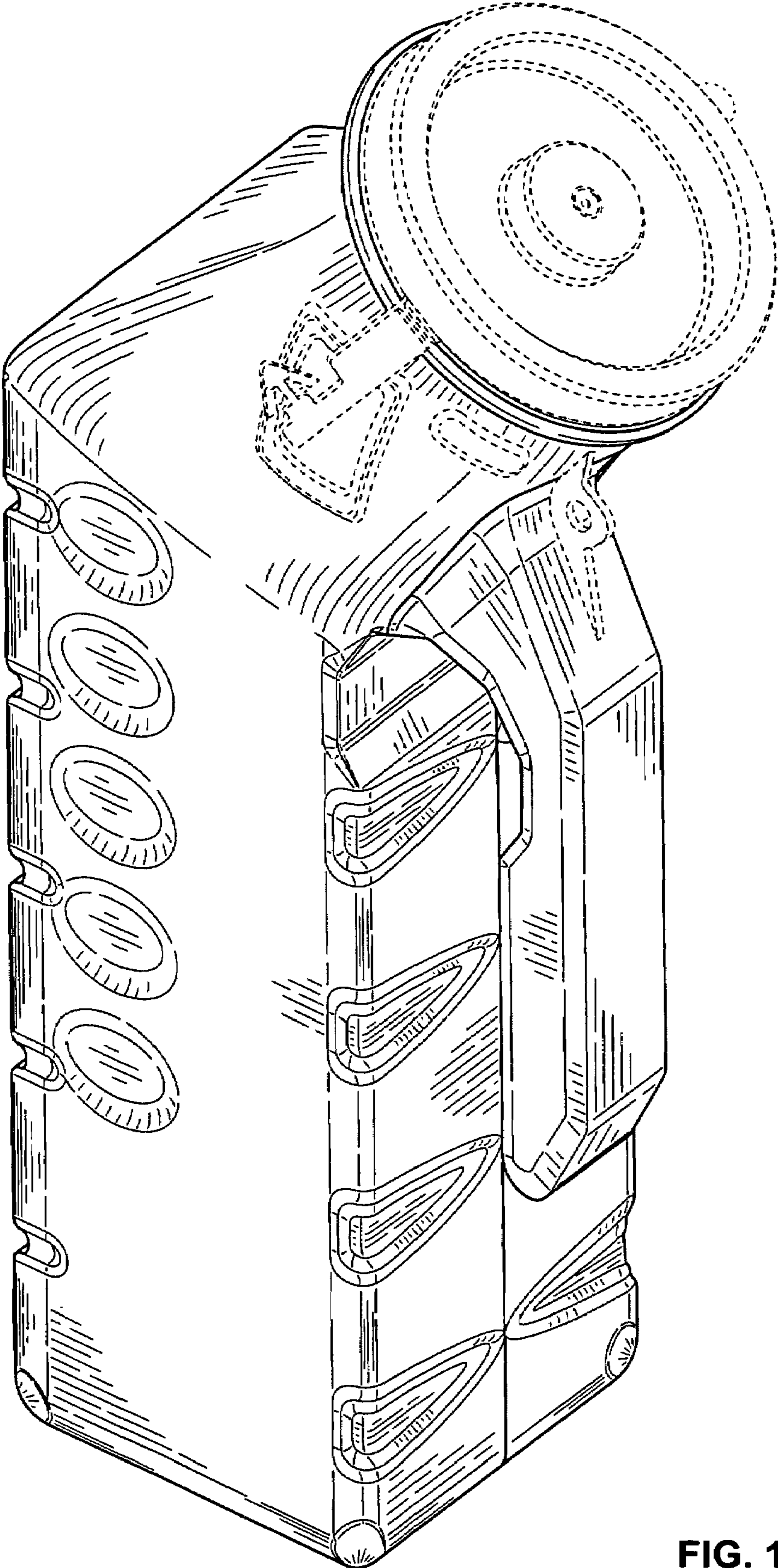


FIG. 1

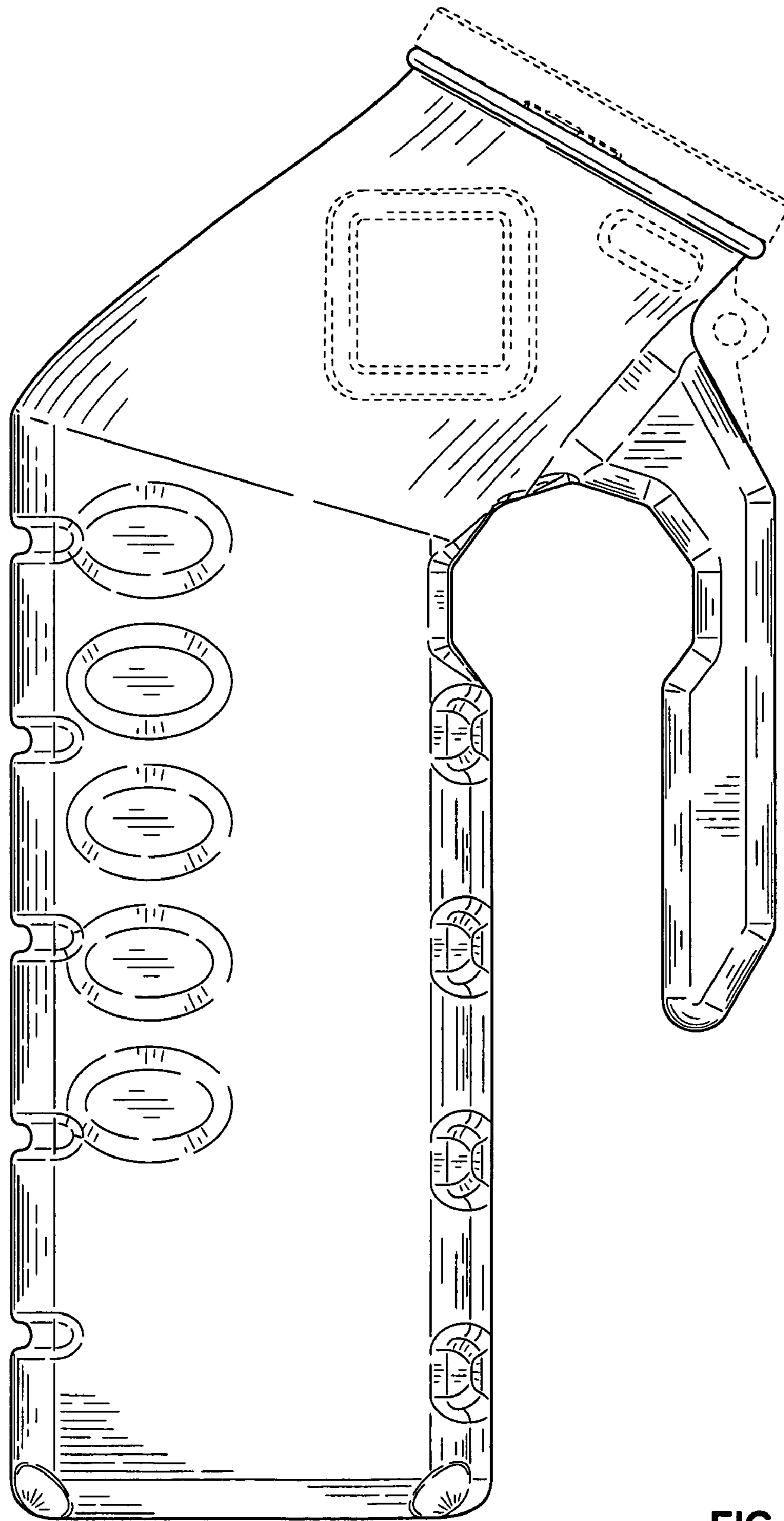


FIG. 2

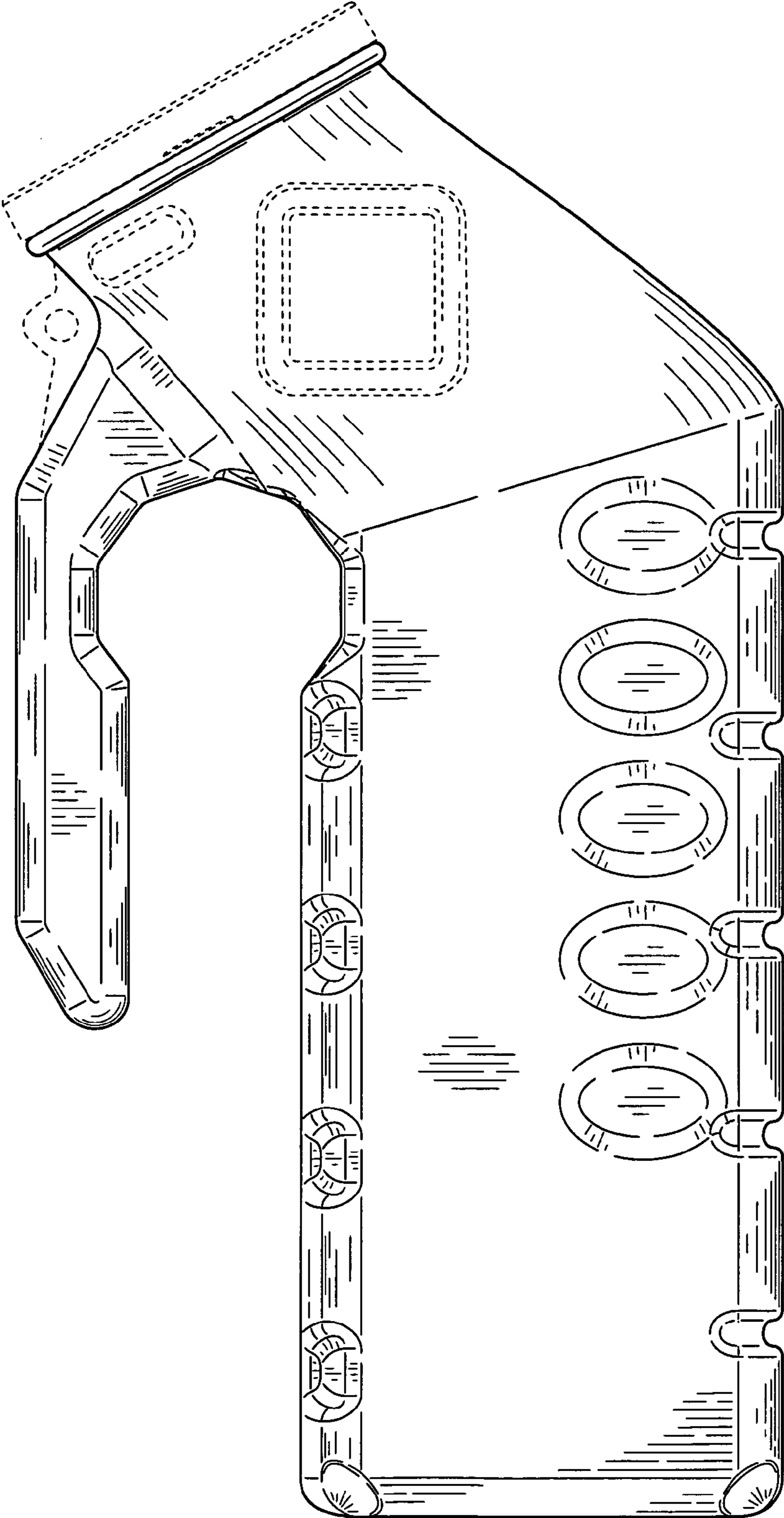


FIG. 3

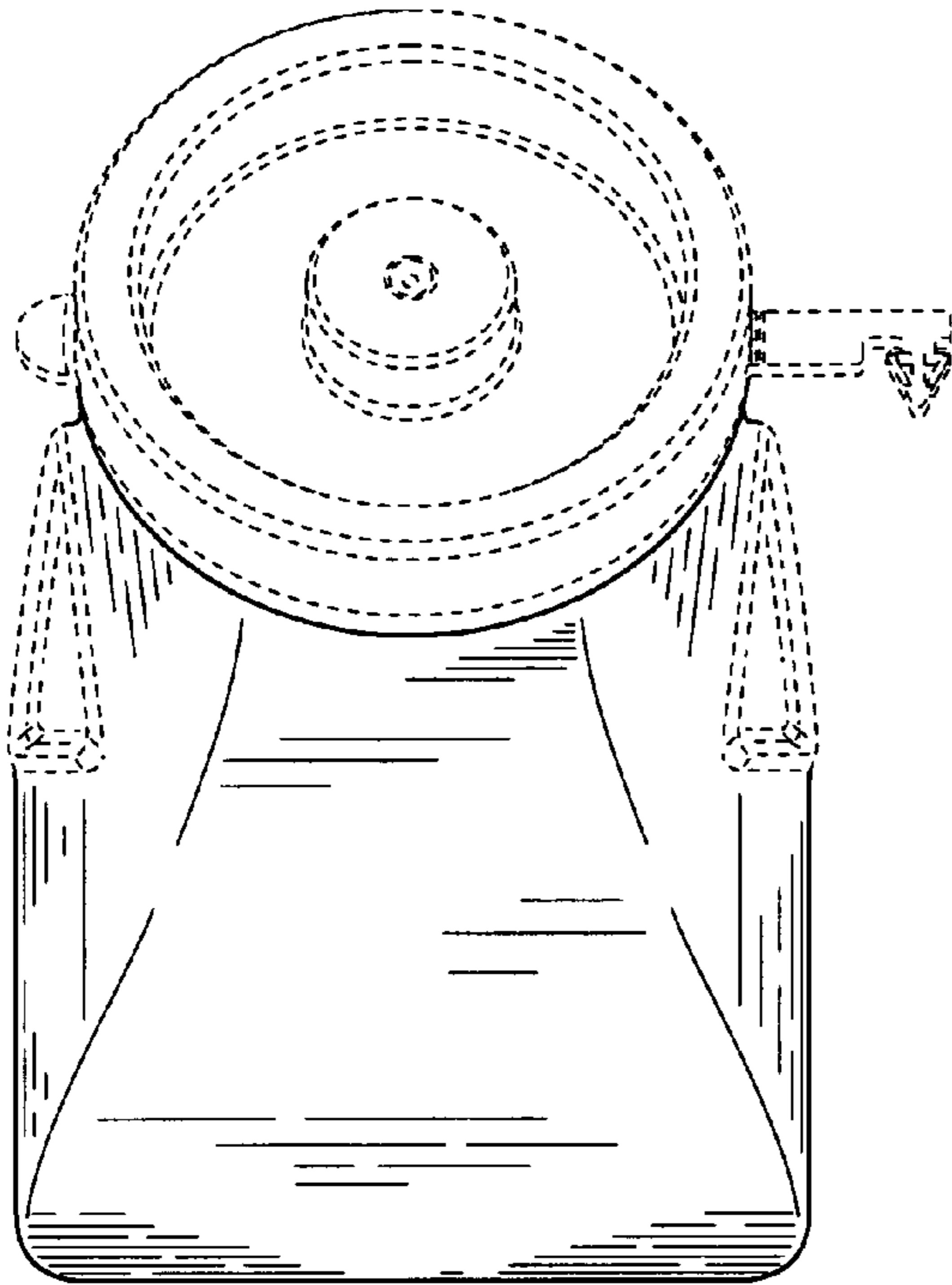


FIG. 4

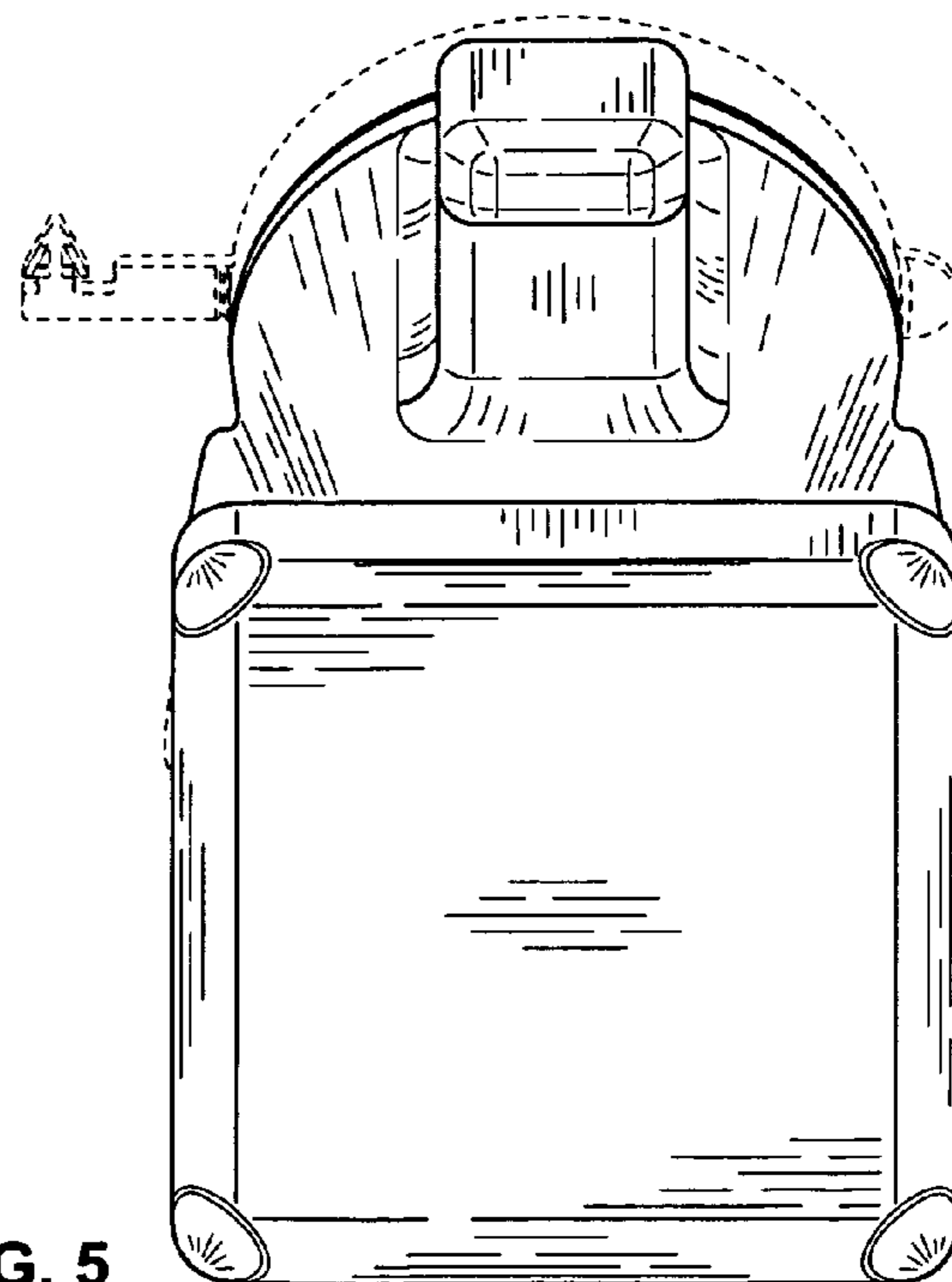


FIG. 5

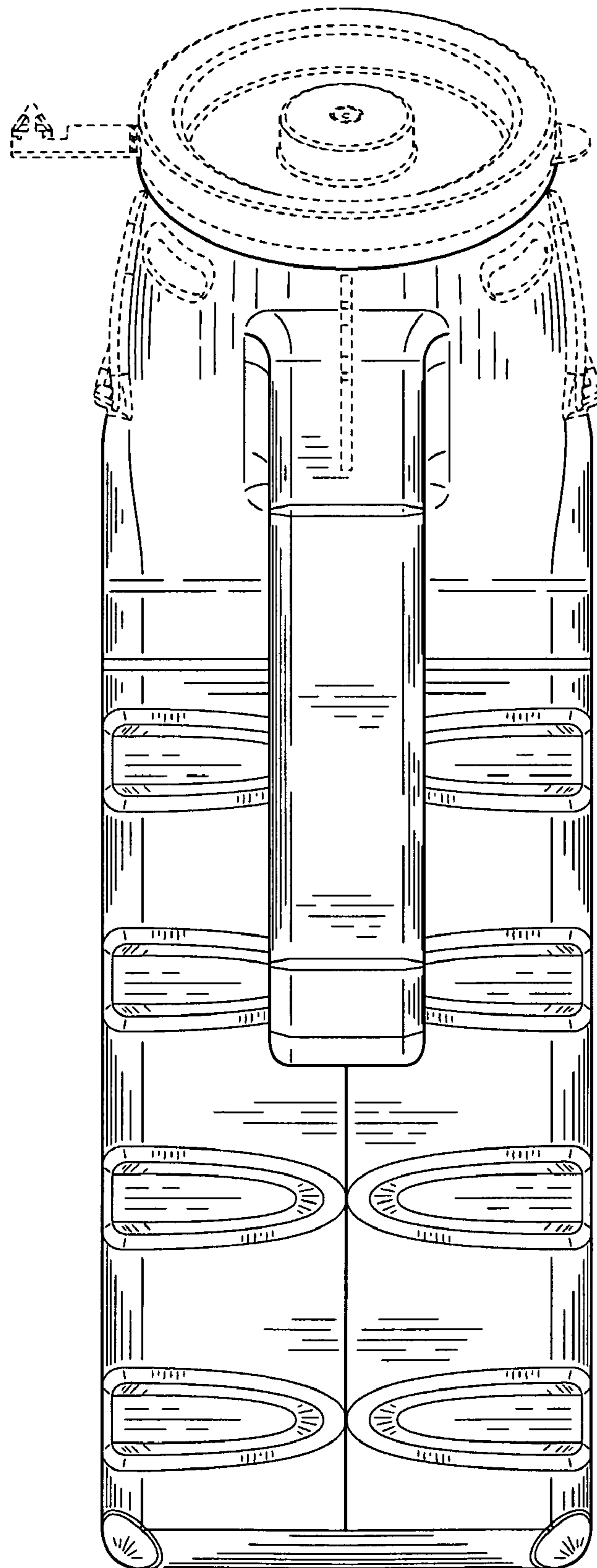


FIG. 6

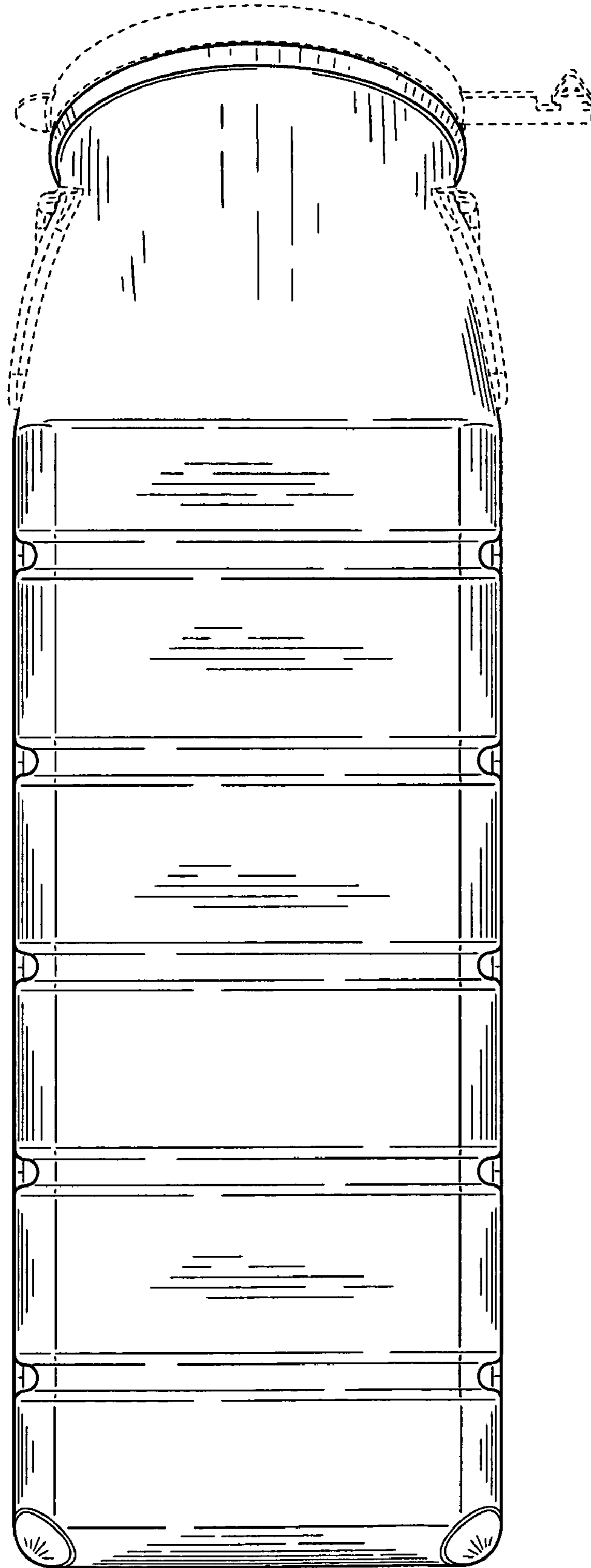


FIG. 7