



US00D578210S

(12) **United States Design Patent**
Muta et al.

(10) **Patent No.:** **US D578,210 S**
(45) **Date of Patent:** **** Oct. 7, 2008**

(54) **INJECTOR**

(75) Inventors: **Kazunori Muta**, Saga (JP); **Shigeo Ohta**, Tokyo (JP); **Takaaki Yoshinaga**, Saga (JP); **Masakazu Shigiishi**, Tokyo (JP); **Junichi Kubo**, Saga (JP); **Nobuo Tsutsumi**, Tokyo (JP)

(73) Assignee: **Hisamitsu Pharmaceutical Co., Inc.**, Tosu-shi, Saga (JP)

(**) Term: **14 Years**

(21) Appl. No.: **29/248,971**

(22) Filed: **Sep. 13, 2006**

(30) **Foreign Application Priority Data**

Mar. 14, 2006 (JP) 2006-006460

(51) **LOC (8) Cl.** **24-02**

(52) **U.S. Cl.** **D24/114**

(58) **Field of Classification Search** D24/113,
D24/114, 133, 112, 130; 604/232, 187, 163,
604/207, 208, 227, 229; 606/181, 185
See application file for complete search history.

(56) **References Cited**

U.S. PATENT DOCUMENTS

D338,957 S * 8/1993 de Faire et al. D24/130

(Continued)

FOREIGN PATENT DOCUMENTS

JP	6-209994	8/1994
JP	7-227416	8/1995
JP	8-188534	7/1996
JP	8-280800	10/1996
JP	9-628	1/1997
JP	2580793	7/1998
JP	2001-79087	3/2001
JP	2002-45422	2/2002
JP	D1234346	3/2005
JP	3785428	3/2006

Primary Examiner—T. Chase Nelson
Assistant Examiner—David G Muller
(74) *Attorney, Agent, or Firm*—Leydig, Voit & mayer, Ltd.

(57) **CLAIM**

The ornamental design for an injector, as shown and described.

DESCRIPTION

FIG. 1 is a front view of an injector including a piston, syringe barrel, cap and plunger of the present invention.

FIG. 2 is a rear view of the injector of FIG. 1.

FIG. 3 is a top plan view of the injector of FIG. 1.

FIG. 4 is a bottom view of the injector of FIG. 1.

FIG. 5 is a right side view of the injector of FIG. 1.

FIG. 6 is a left side view of the injector of FIG. 1.

FIG. 7 is a perspective view of the injector of FIG. 1.

FIG. 8 is a front view of the syringe barrel of the injector of FIG. 1.

FIG. 9 is a rear view of the syringe barrel of the injector of FIG. 1.

FIG. 10 is a top plan view of the syringe barrel of the injector of FIG. 1.

FIG. 11 is a bottom view of the syringe barrel of the injector of FIG. 1.

FIG. 12 is a right side view of the syringe barrel of the injector of FIG. 1.

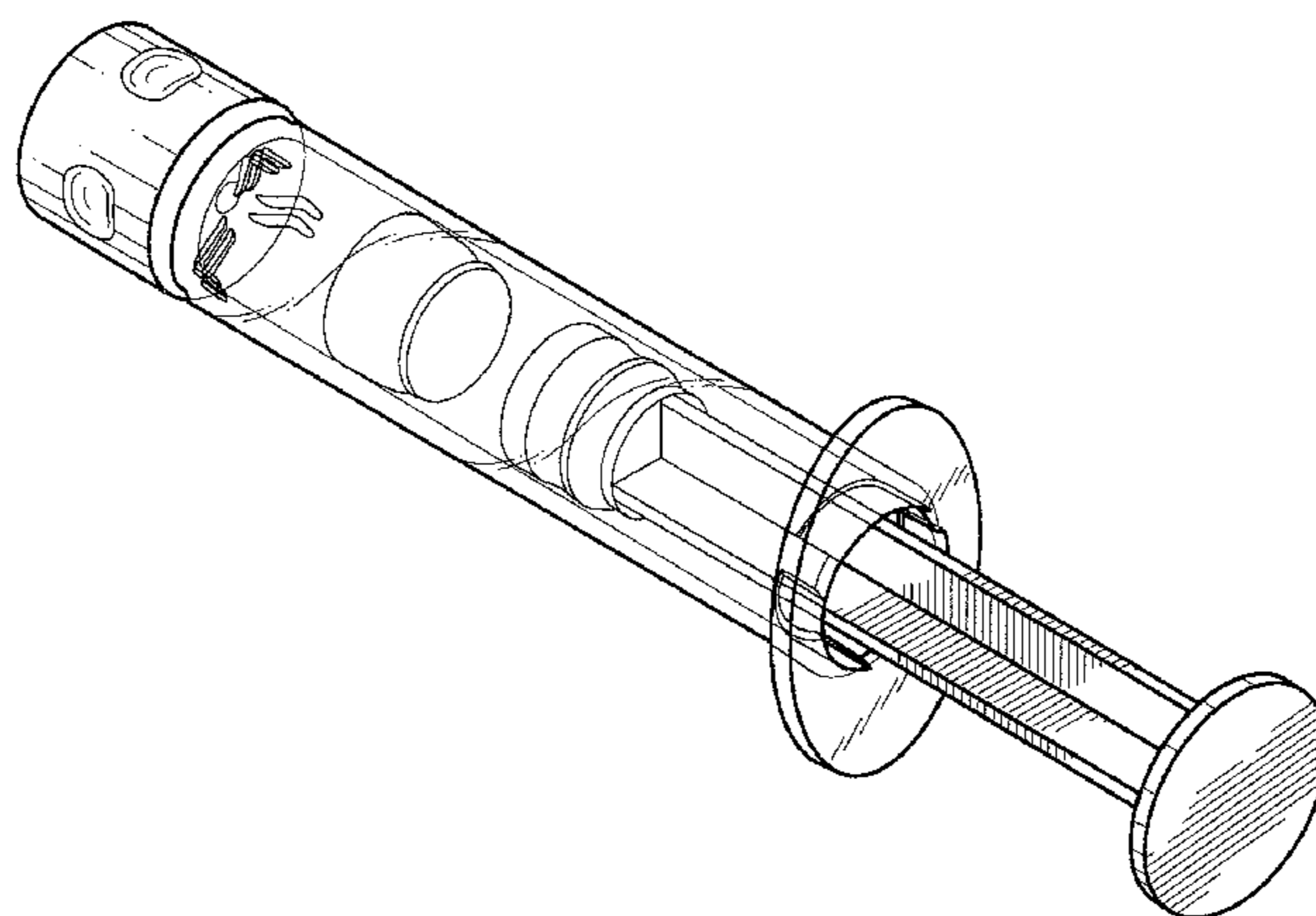
FIG. 13 is a left side view of the syringe barrel of the injector of FIG. 1.

FIG. 14 is a partial cut-away view of the injector of FIG. 1 in use; and,

FIG. 15 is a sectional view of the syringe barrel of the injector of FIG. 1, taken along line 15—15 of FIG. 13.

The features shown in broken lines depict environmental subject matter only and form no part of the claimed design.

1 Claim, 13 Drawing Sheets



US D578,210 S

Page 2

U.S. PATENT DOCUMENTS

D346,219 S *	4/1994	Fardigh	D24/143	D419,671 S *	1/2000	Jansen	D24/112
D347,688 S *	6/1994	Adams	D24/130	D445,176 S *	7/2001	Landers	D24/114
5,498,243 A *	3/1996	Vallelunga et al.	604/187	D447,797 S *	9/2001	Odell et al.	D24/112
5,509,903 A *	4/1996	Grendahl et al.	604/187	D460,820 S *	7/2002	Niedospial, Jr.	D24/130
D383,205 S *	9/1997	Pagay et al.	D24/112	D461,243 S *	8/2002	Niedospial, Jr.	D24/130
D403,761 S *	1/1999	Adams	D24/112	D461,555 S *	8/2002	Binet et al.	D24/114
D412,206 S *	7/1999	Basile et al.	D24/130	D492,404 S *	6/2004	Prais et al.	D24/112
5,985,962 A *	11/1999	Knors et al.	604/187	2005/0063857 A1 *	3/2005	Alheidt et al.	604/187

* cited by examiner

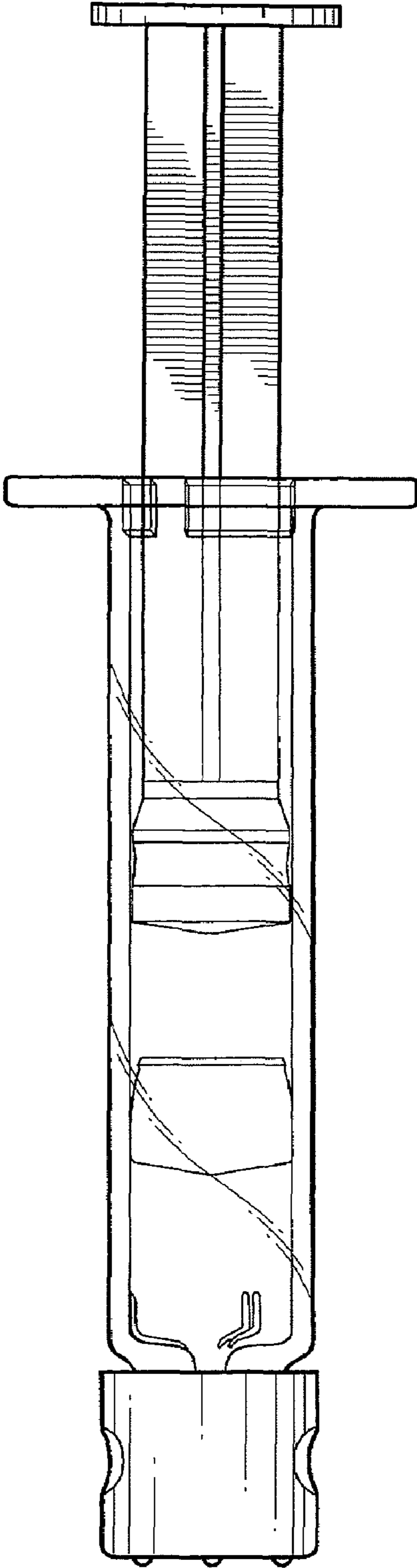


FIG.1

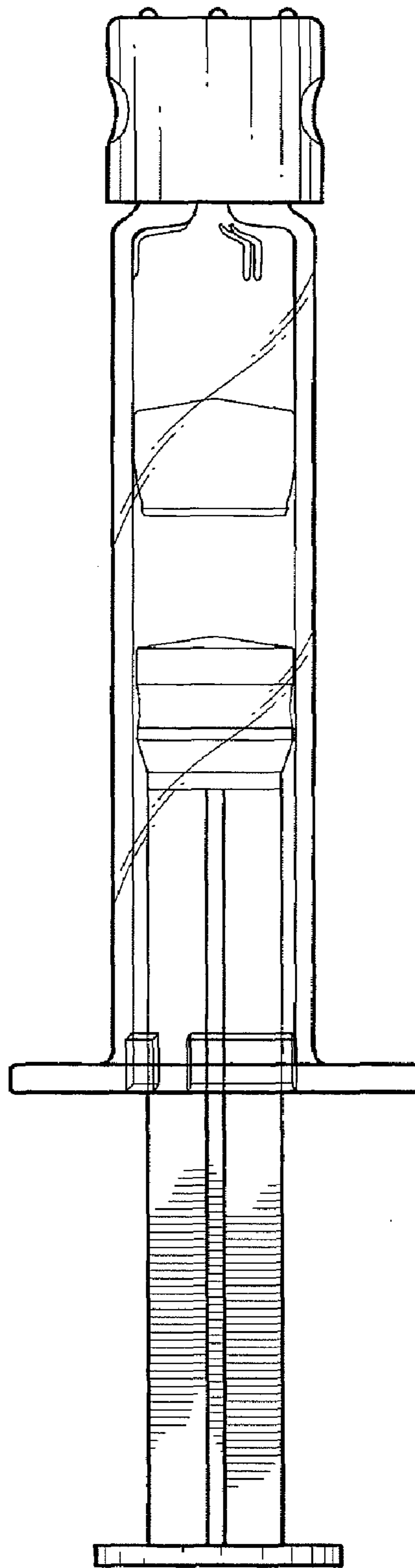


FIG. 2

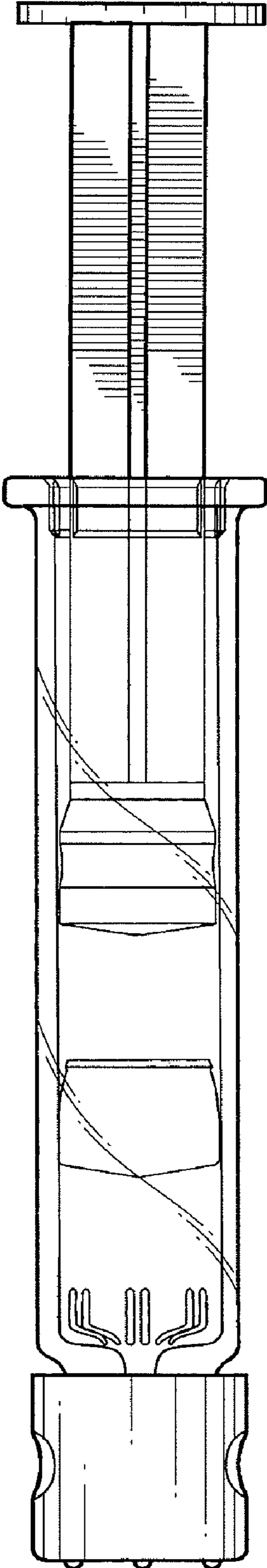


FIG. 3

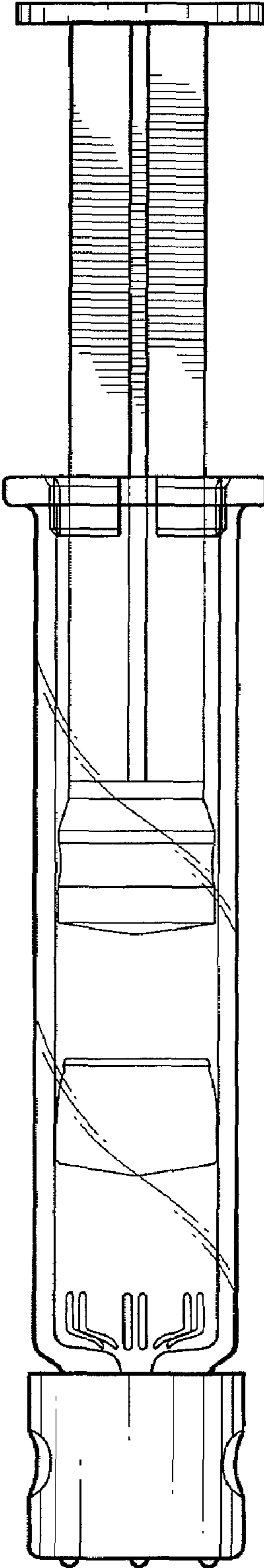


FIG.4

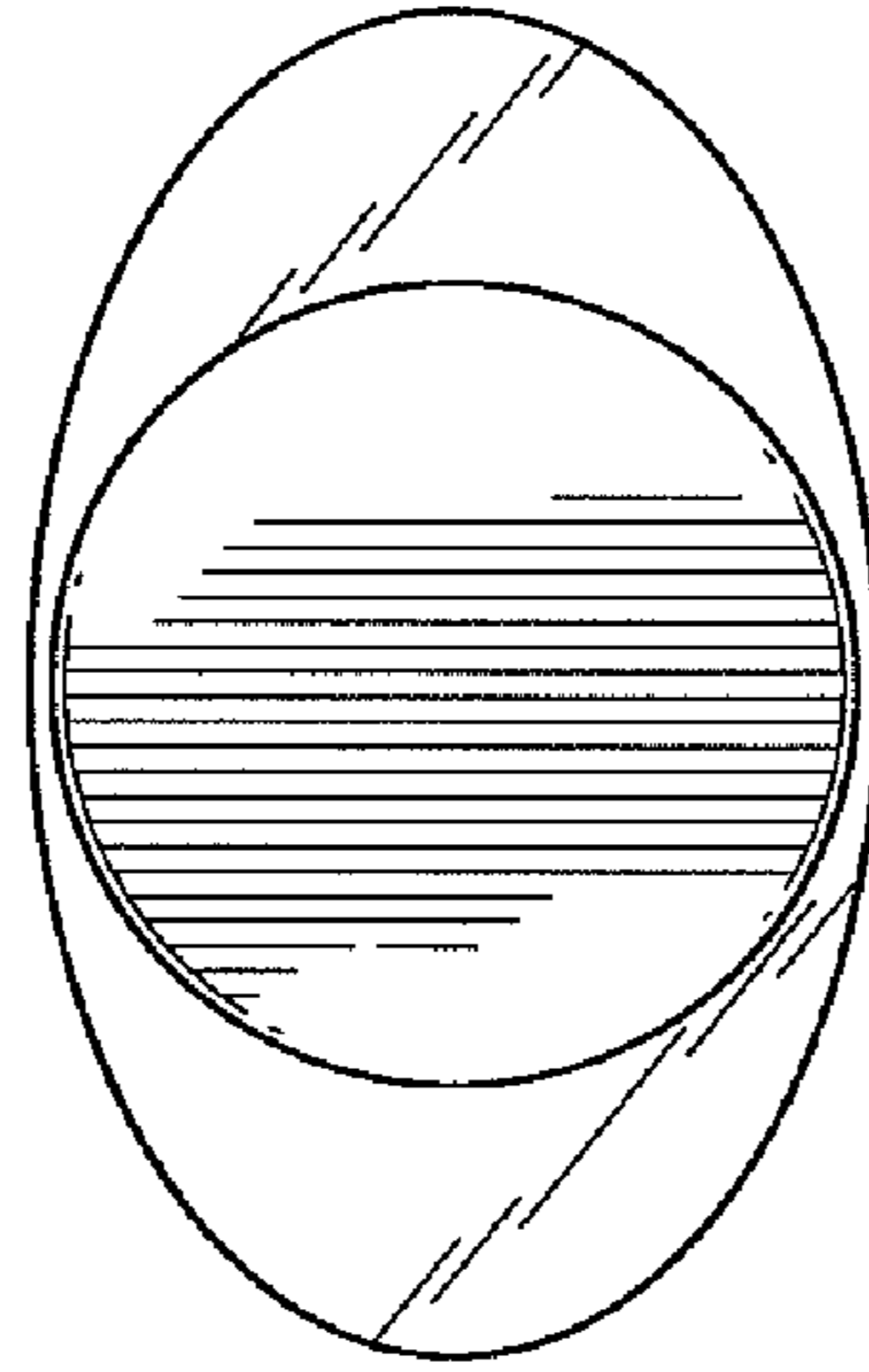


FIG. 5

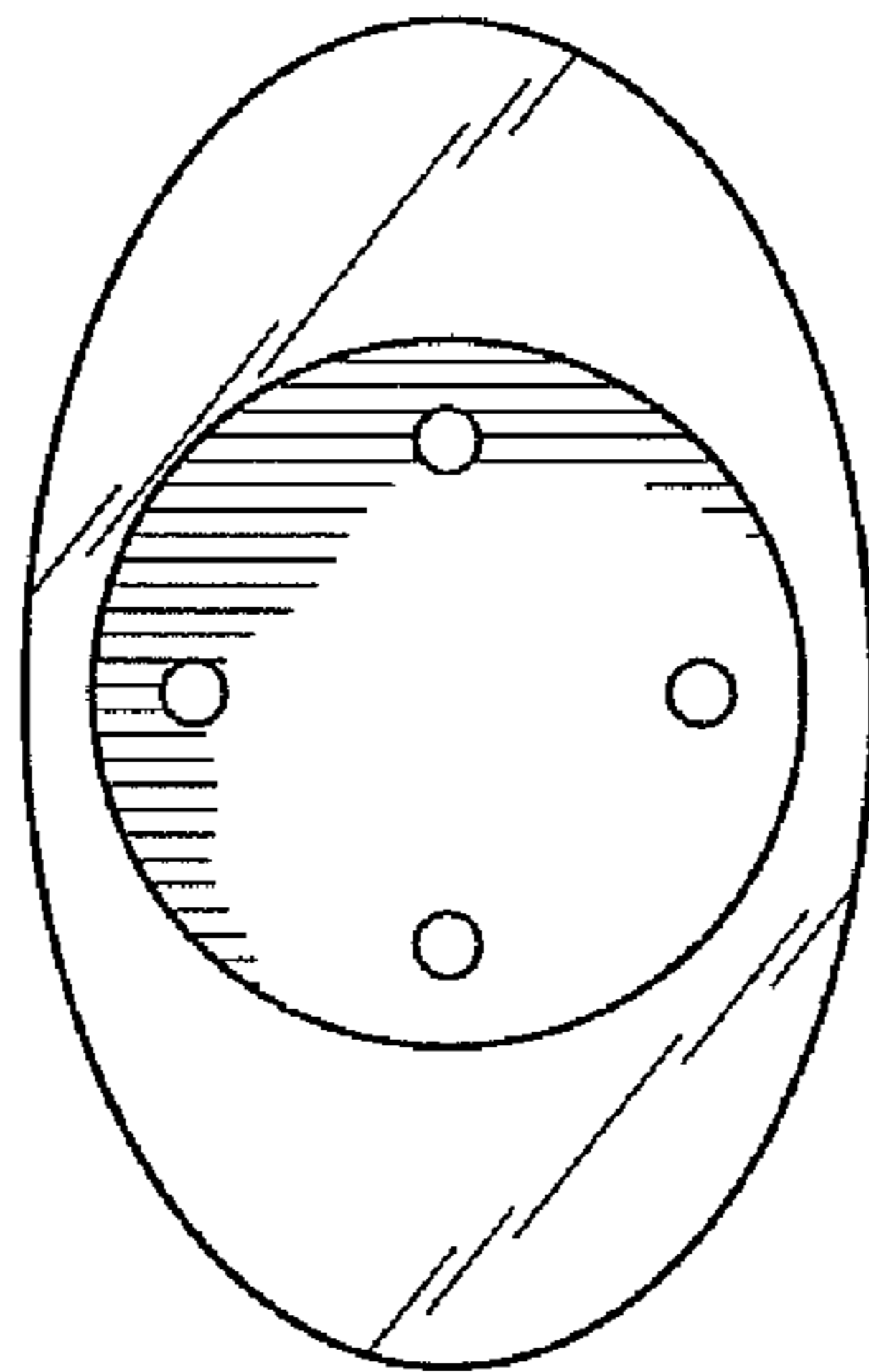


FIG. 6

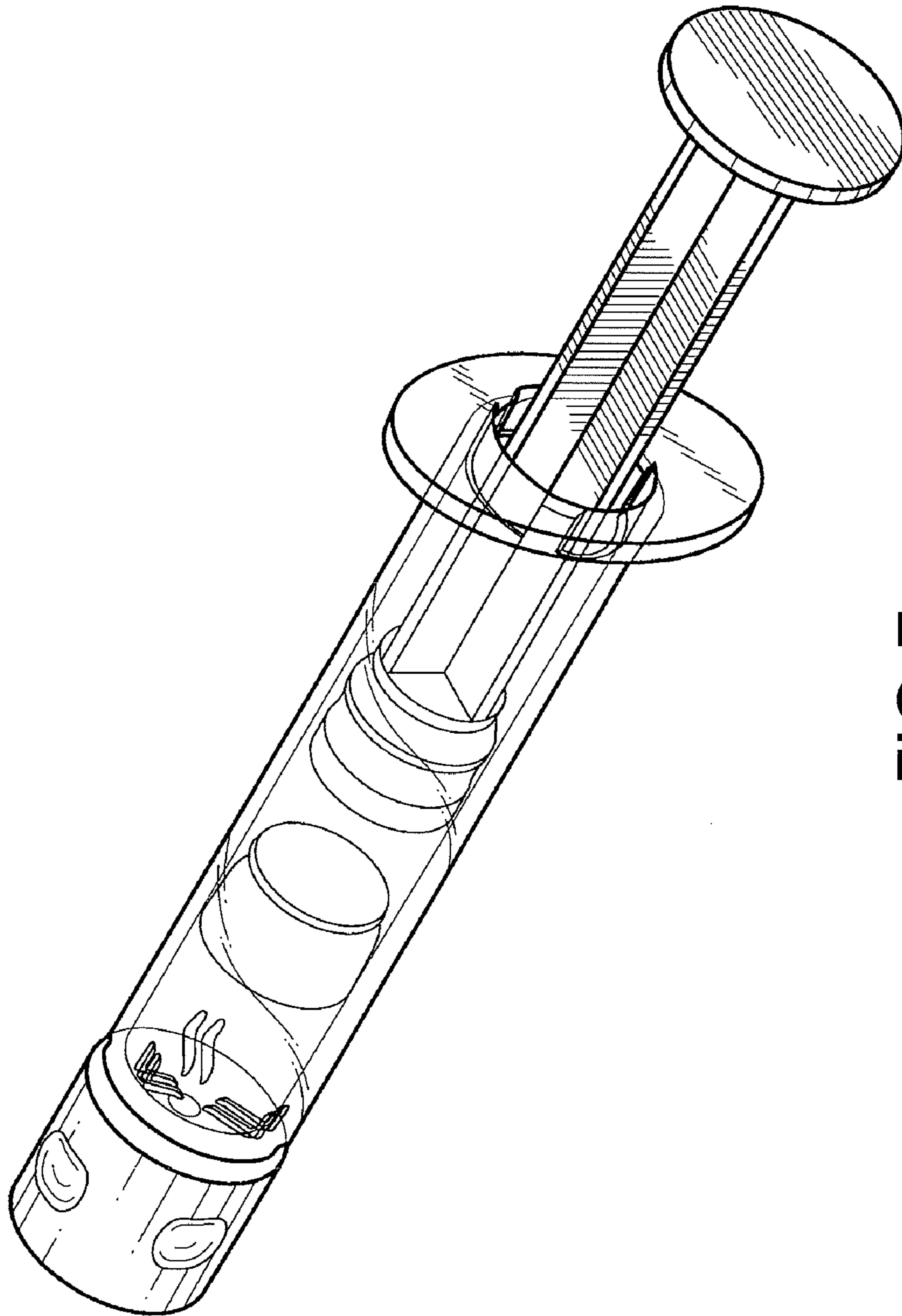


FIG. 7

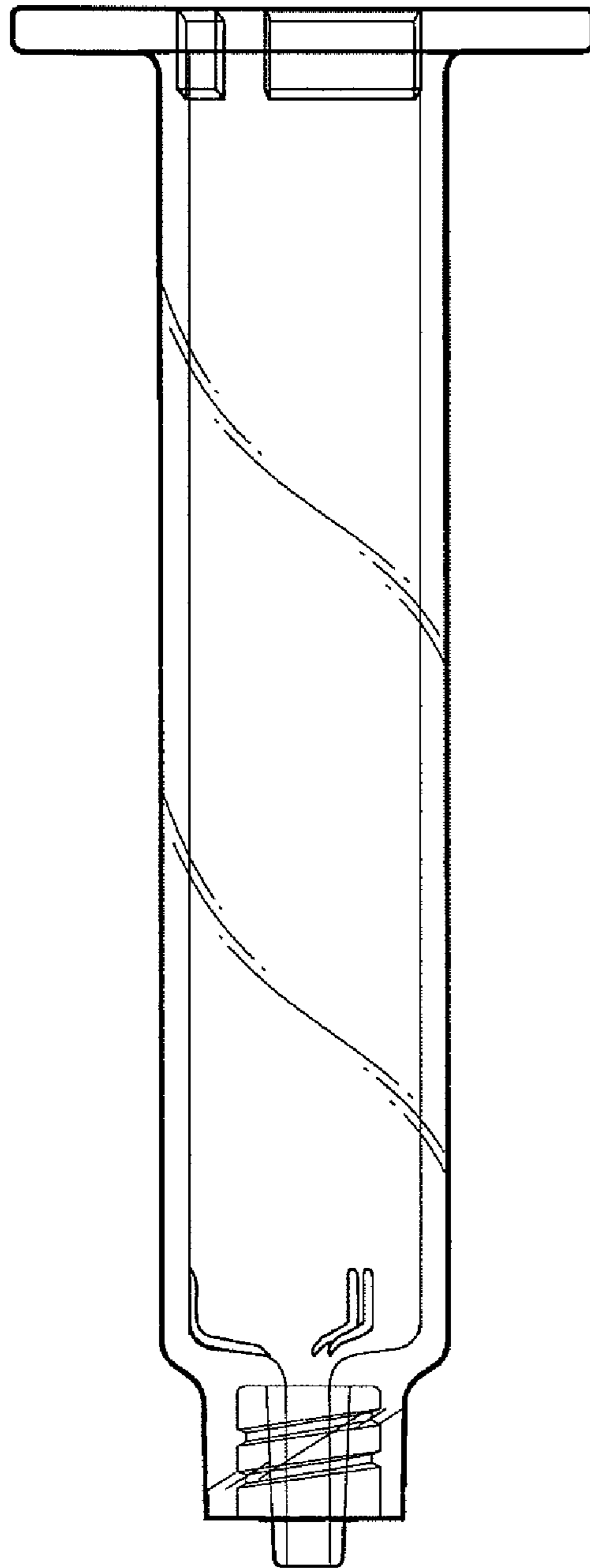


FIG. 8

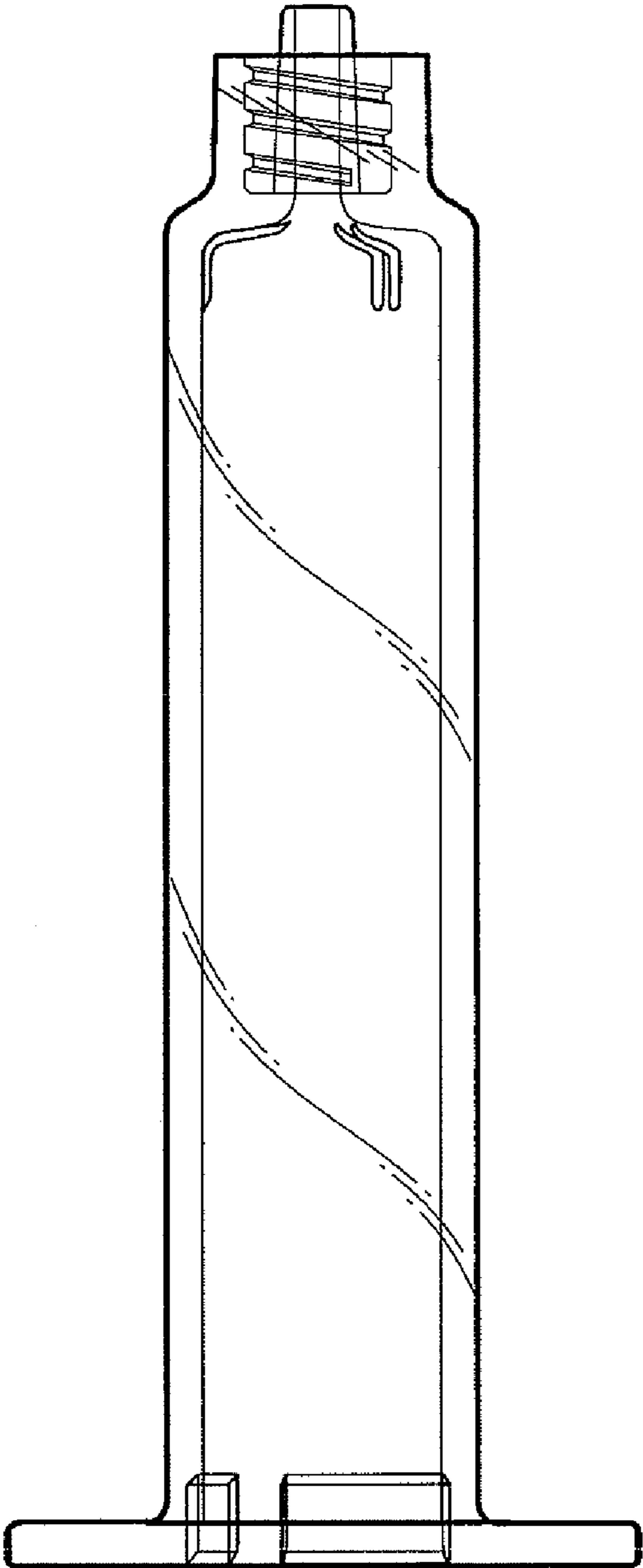


FIG. 9

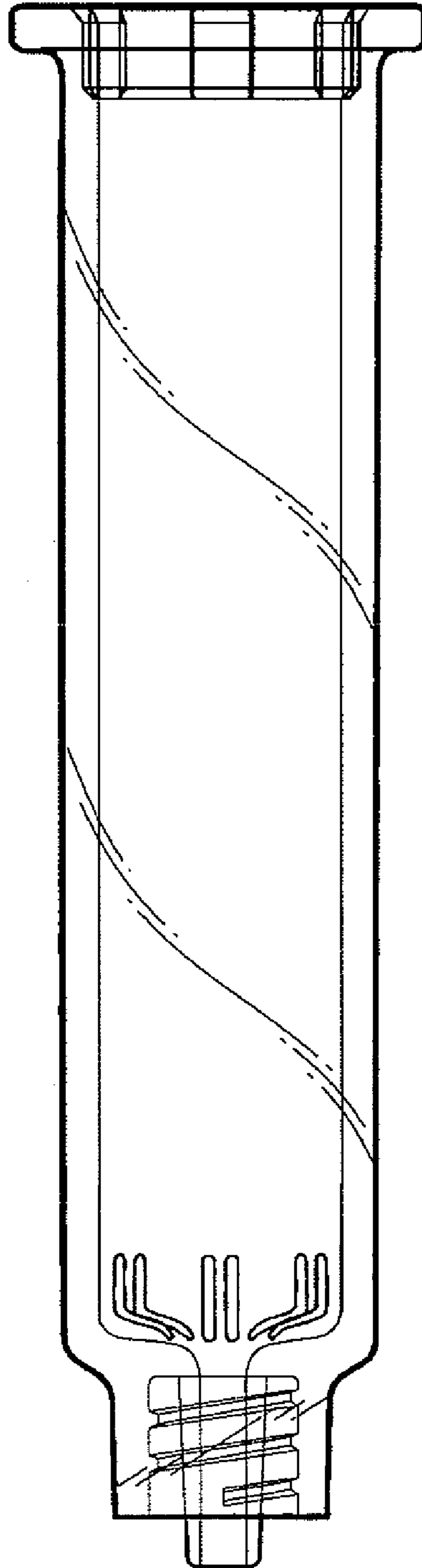


FIG. 10

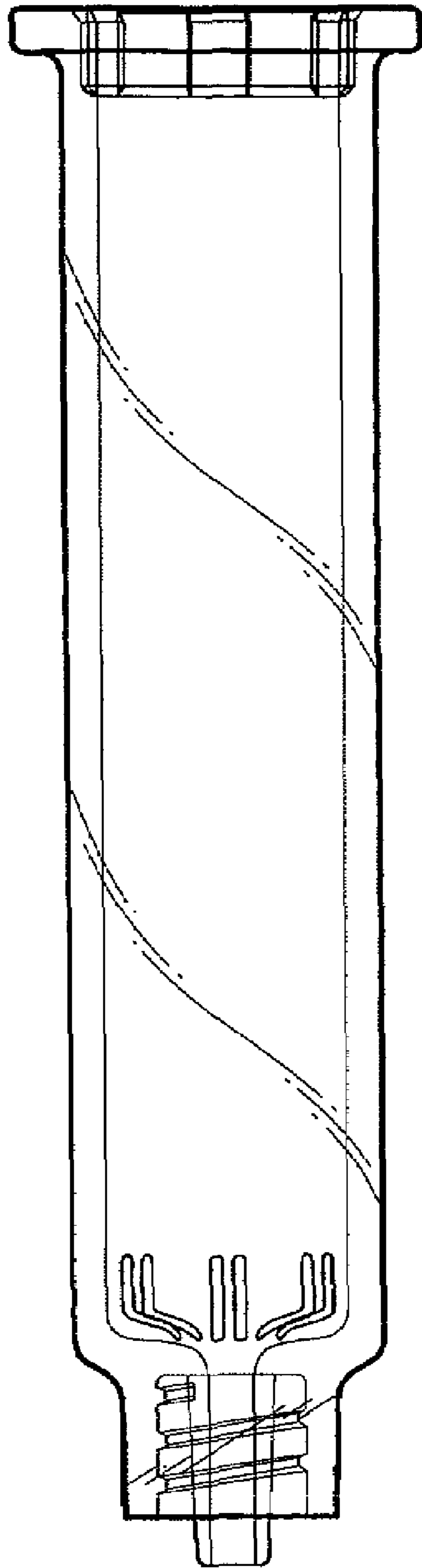


FIG. 11

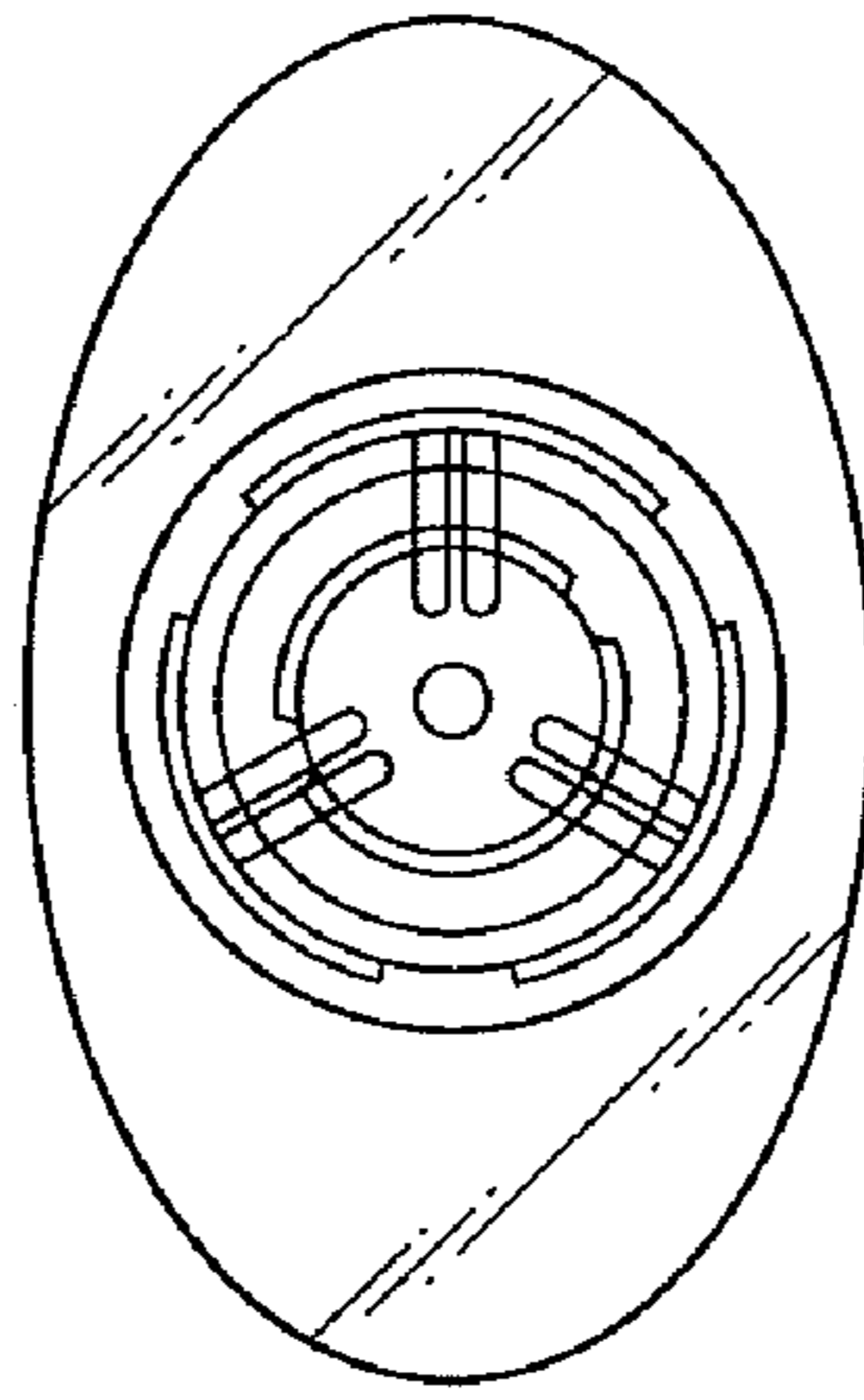


FIG. 12

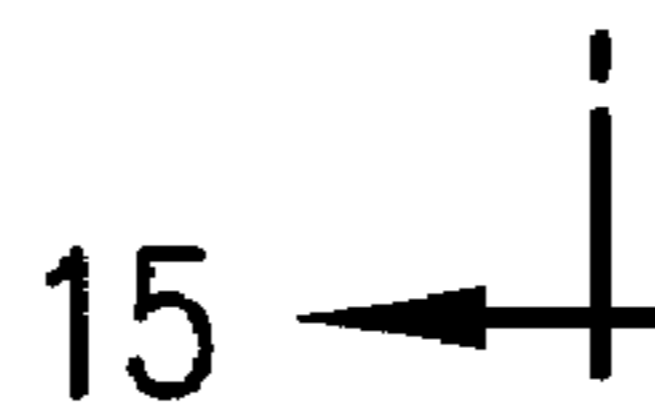
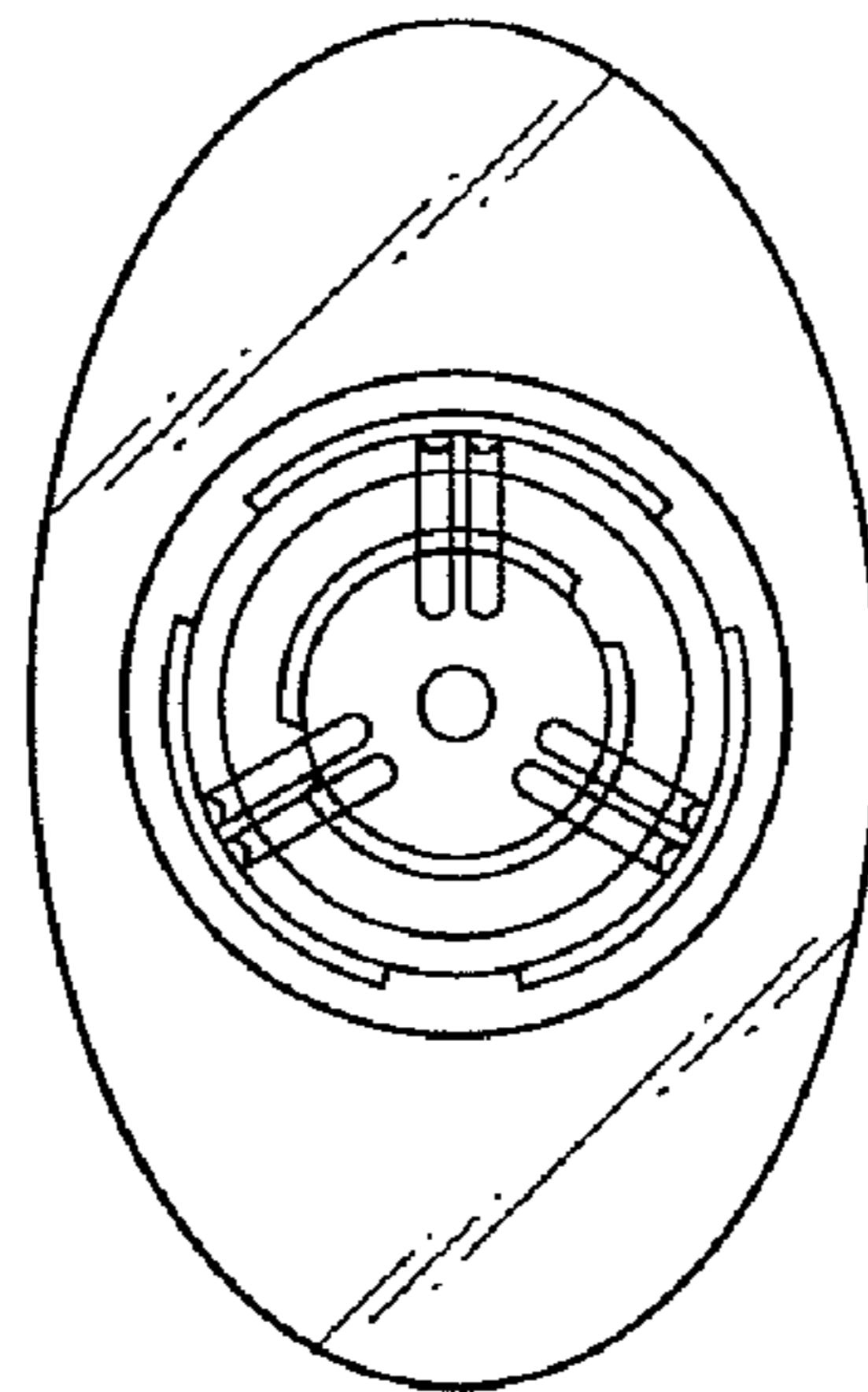
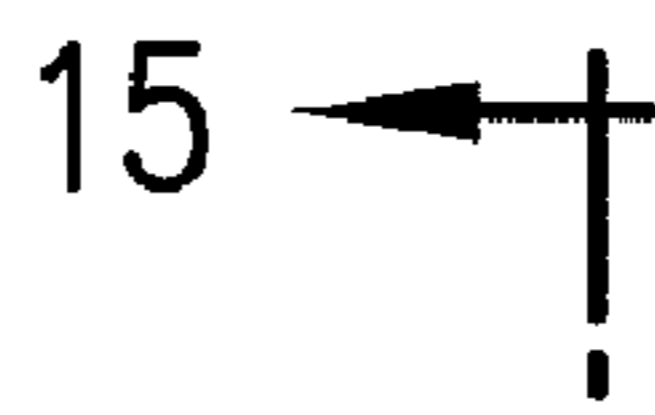


FIG. 13

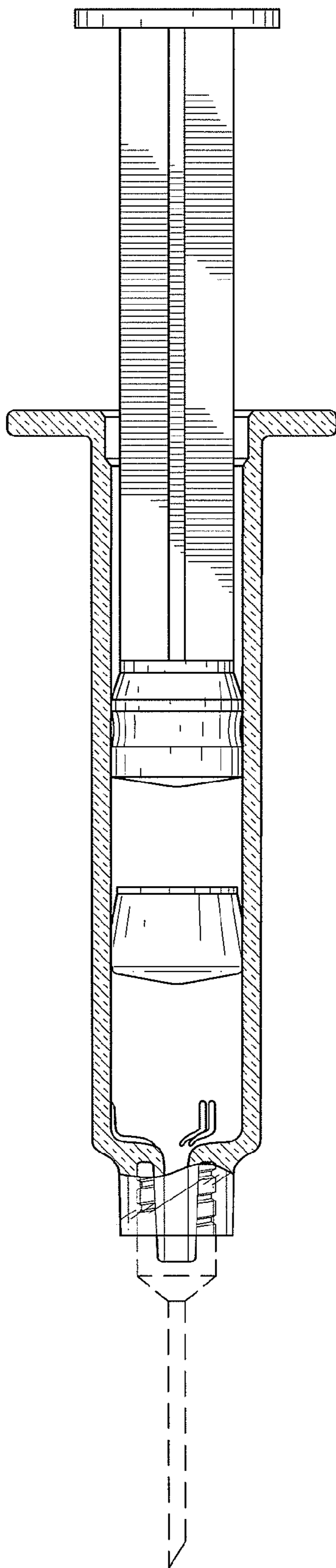


FIG.14

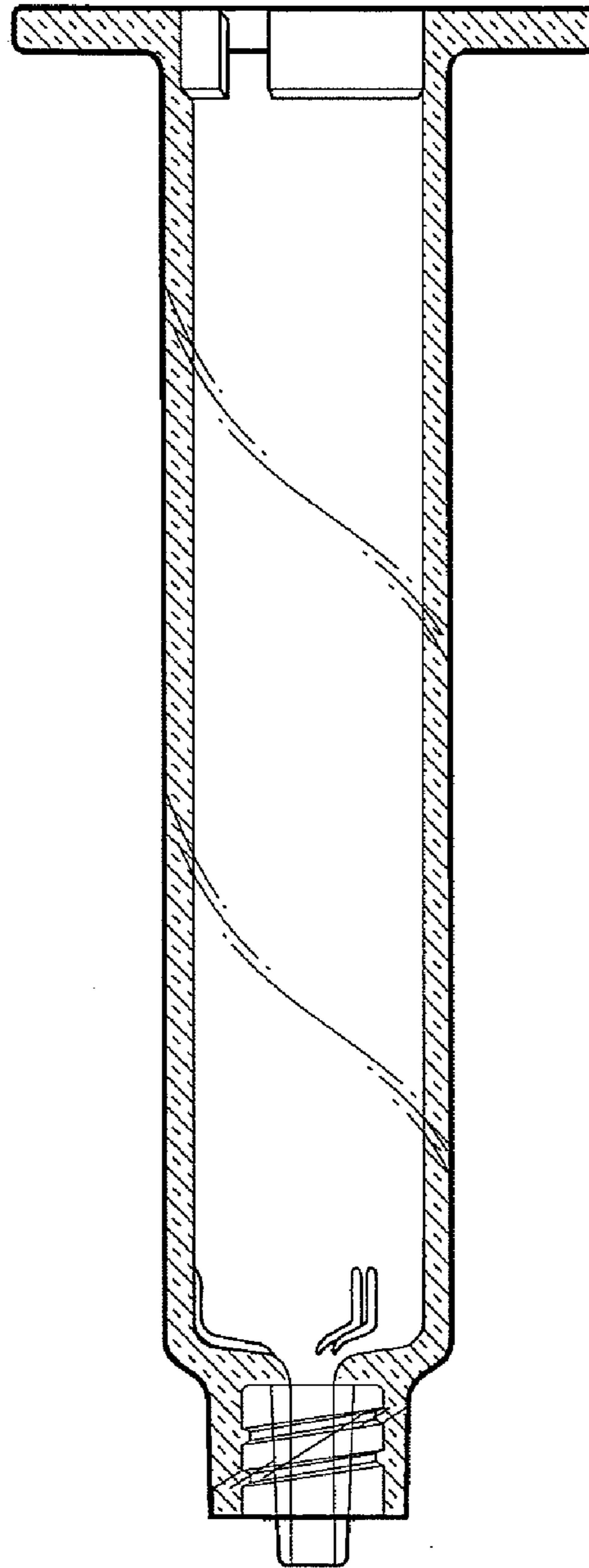


FIG. 15