



US00D578209S

(12) **United States Design Patent**  
**Schurg et al.**

(10) **Patent No.:** **US D578,209 S**

(45) **Date of Patent:** **\*\* Oct. 7, 2008**

(54) **PUMP UNIT**

(75) Inventors: **Peter Schurg**, Mossingen (DE); **Lothar Mitzlaff**, Lagos (PT); **Ralf Kuhner**, Stuttgart (DE)

(73) Assignee: **Erbe Elektromedizin GmbH**, Tübingen (DE)

(\*\*) Term: **14 Years**

(21) Appl. No.: **29/279,401**

(22) Filed: **Apr. 30, 2007**

(51) **LOC (8) Cl.** ..... **24-02**

(52) **U.S. Cl.** ..... **D24/111**

(58) **Field of Classification Search** ..... D24/108, D24/111, 107, 128, 169, 186; 604/153, 4.01, 604/326, 5.01, 151, 152, 155, 154, 891.1; 128/DIG. 1, DIG. 2, DIG. 12, DIG. 13  
See application file for complete search history.

(56) **References Cited**

**U.S. PATENT DOCUMENTS**

3,451,393	A *	6/1969	Sarnoff	.....	604/135
4,666,430	A *	5/1987	Brown et al.	.....	604/141
D455,489	S *	4/2002	Beck et al.	.....	D24/111
D501,924	S *	2/2005	Cise et al.	.....	D24/111
D504,506	S *	4/2005	Beck et al.	.....	D24/111

D505,199	S *	5/2005	Beck et al.	.....	D24/111
D507,647	S *	7/2005	Beck et al.	.....	D24/111
D523,553	S *	6/2006	Beck et al.	.....	D24/111
D536,783	S *	2/2007	Cise et al.	.....	D24/111
2006/0167415	A1 *	7/2006	Nemoto	.....	604/154
2006/0184124	A1 *	8/2006	Cowan et al.	.....	604/155
2008/0114302	A1 *	5/2008	Neer	.....	604/154

\* cited by examiner

*Primary Examiner*—Ian Simmons

*Assistant Examiner*—Carissa C Fitts

(74) *Attorney, Agent, or Firm*—Dickstein Shapiro LLP

(57) **CLAIM**

The ornamental design for a pump unit, as shown and described.

**DESCRIPTION**

FIG. 1 is a front perspective view of a pump unit in accordance with my new design;

FIG. 2 is a bottom plan view thereof;

FIG. 3 is a top plan view thereof;

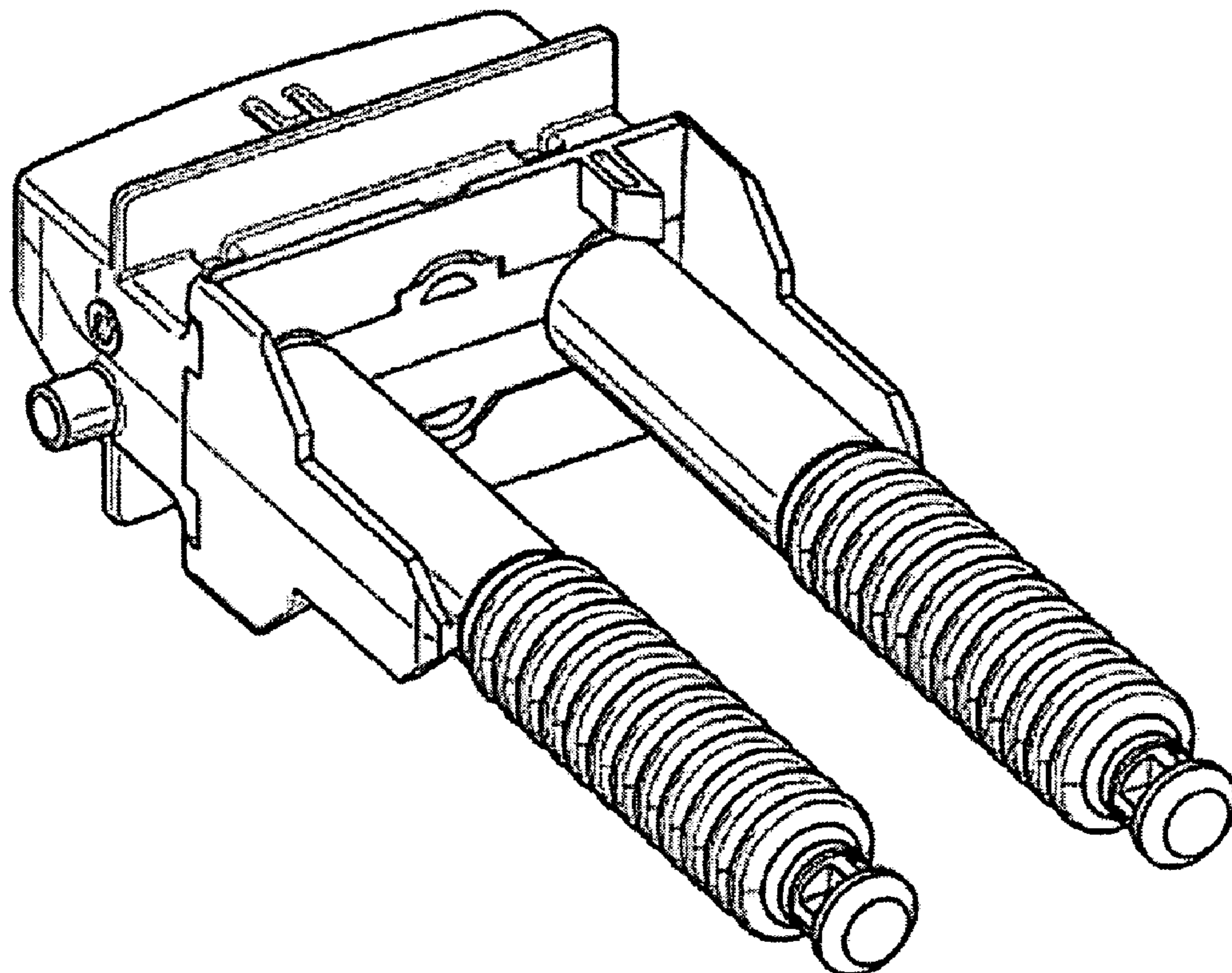
FIG. 4 is a right-side elevational view thereof;

FIG. 5 is a left-side elevational view thereof;

FIG. 6 is a rear elevational view thereof; and,

FIG. 7 is a front elevational view thereof.

**1 Claim, 4 Drawing Sheets**



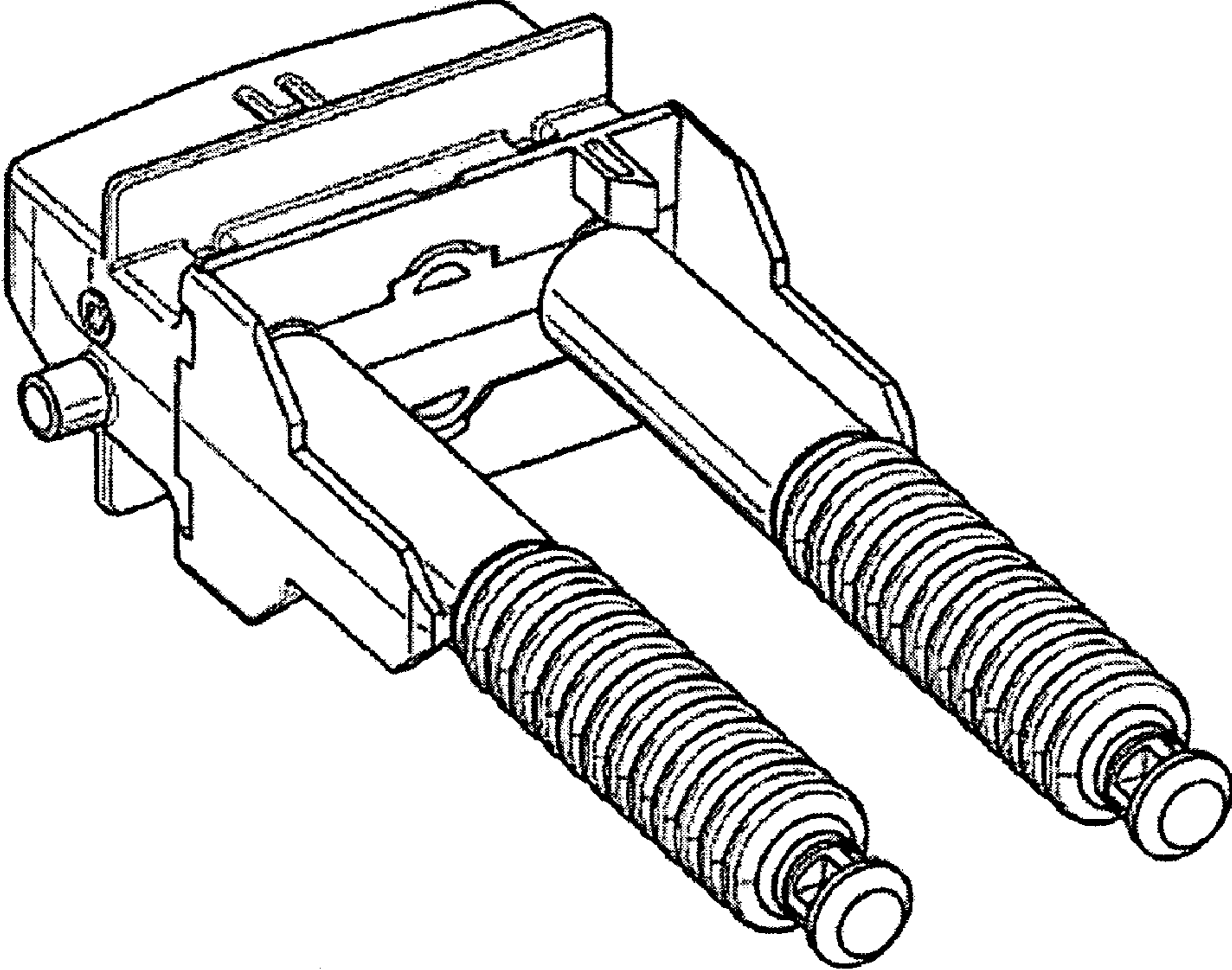


FIG. 1

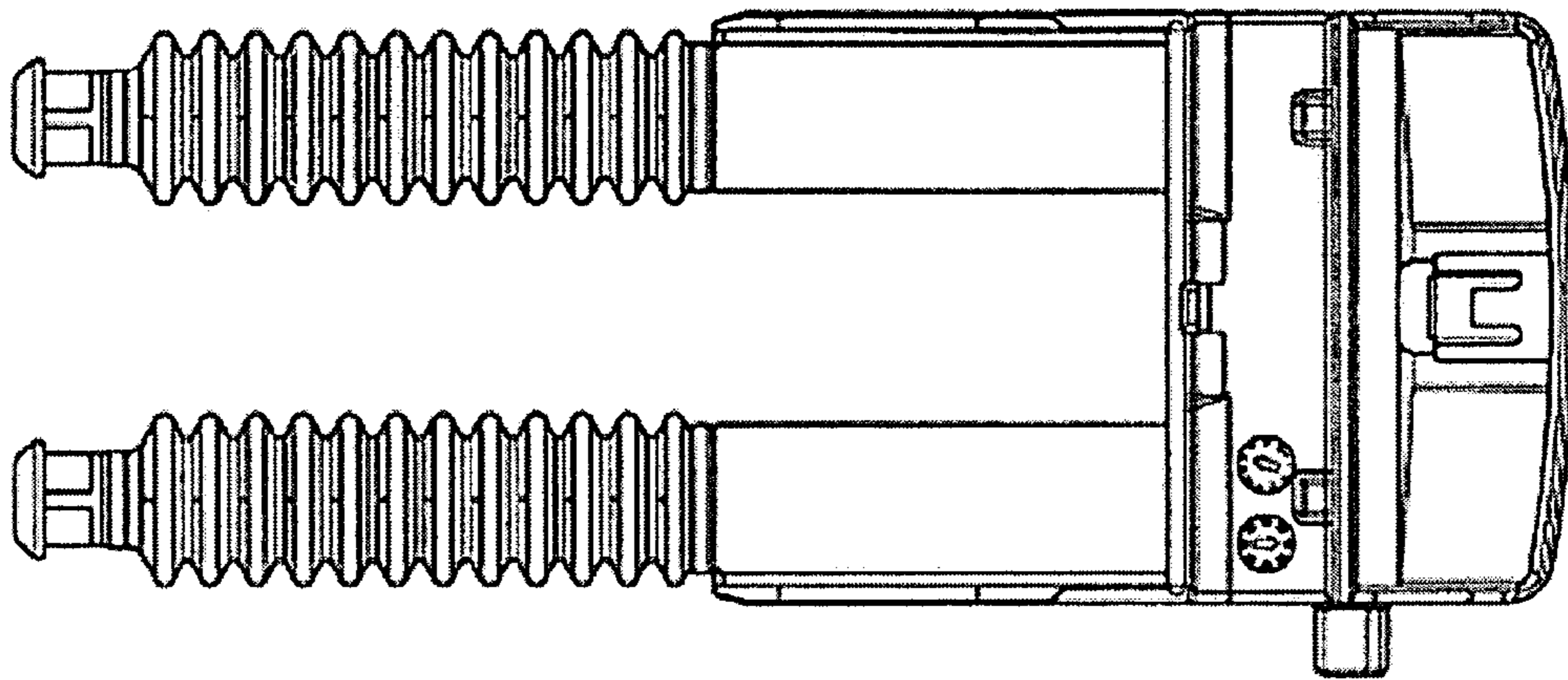


FIG. 2

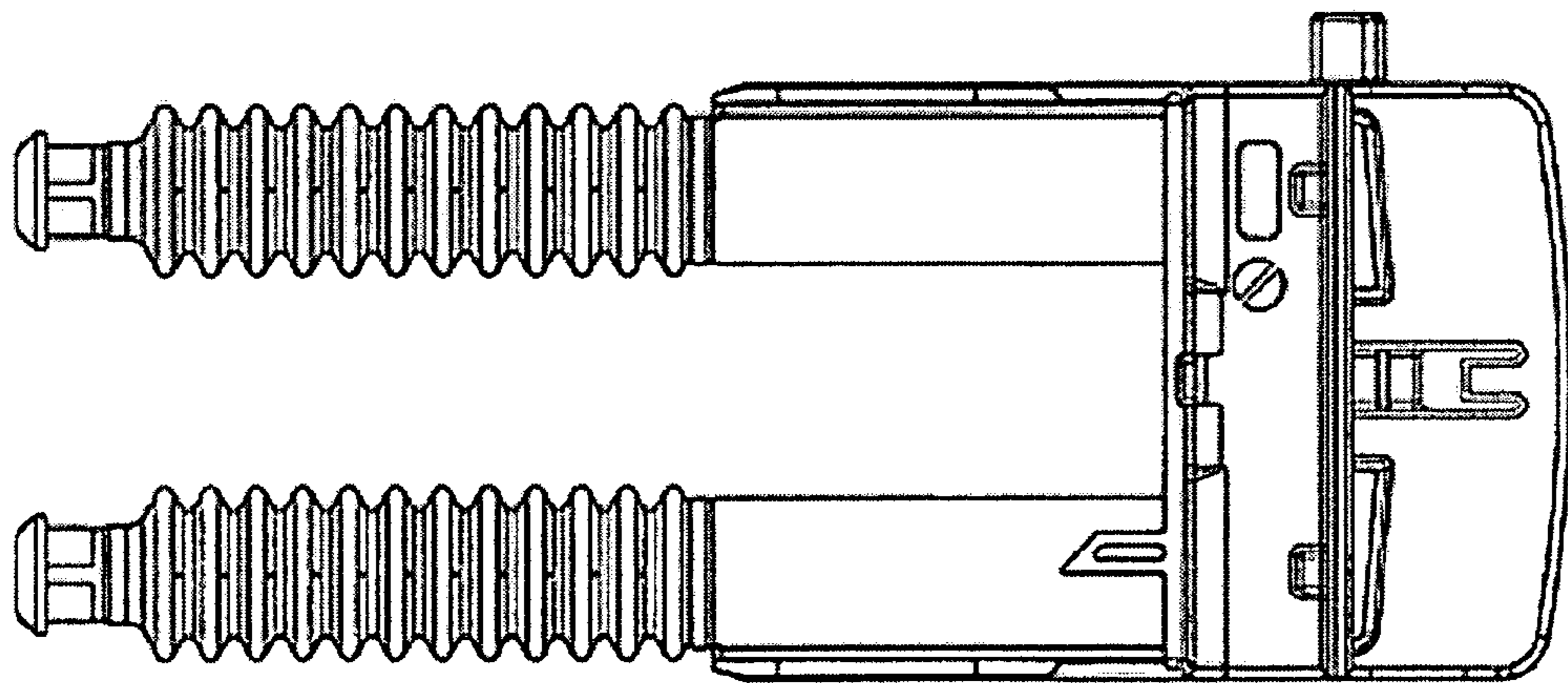


FIG. 3

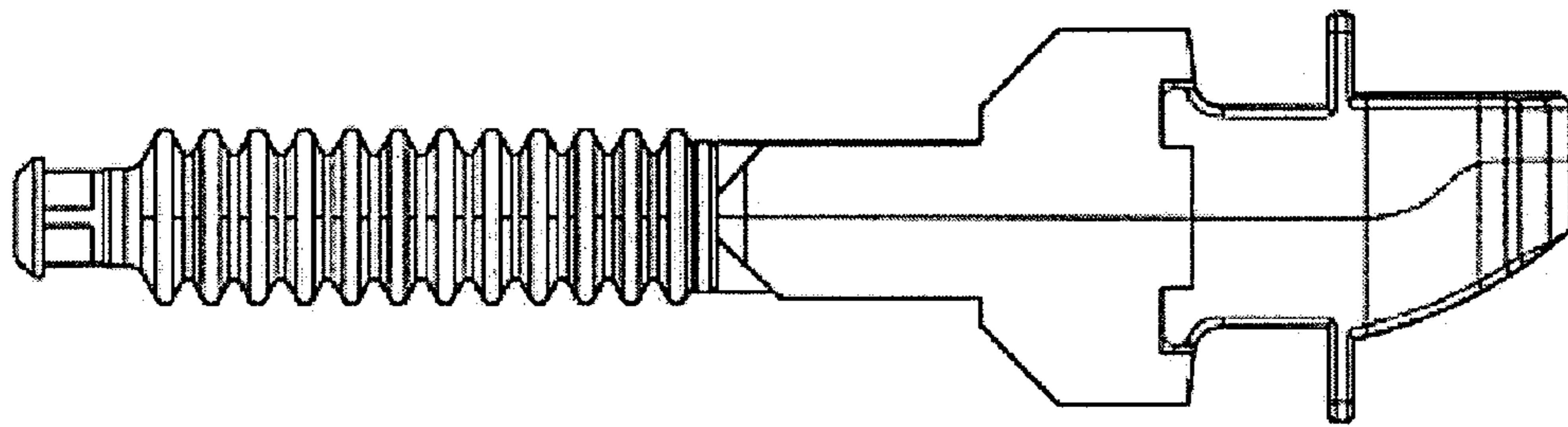


FIG. 4

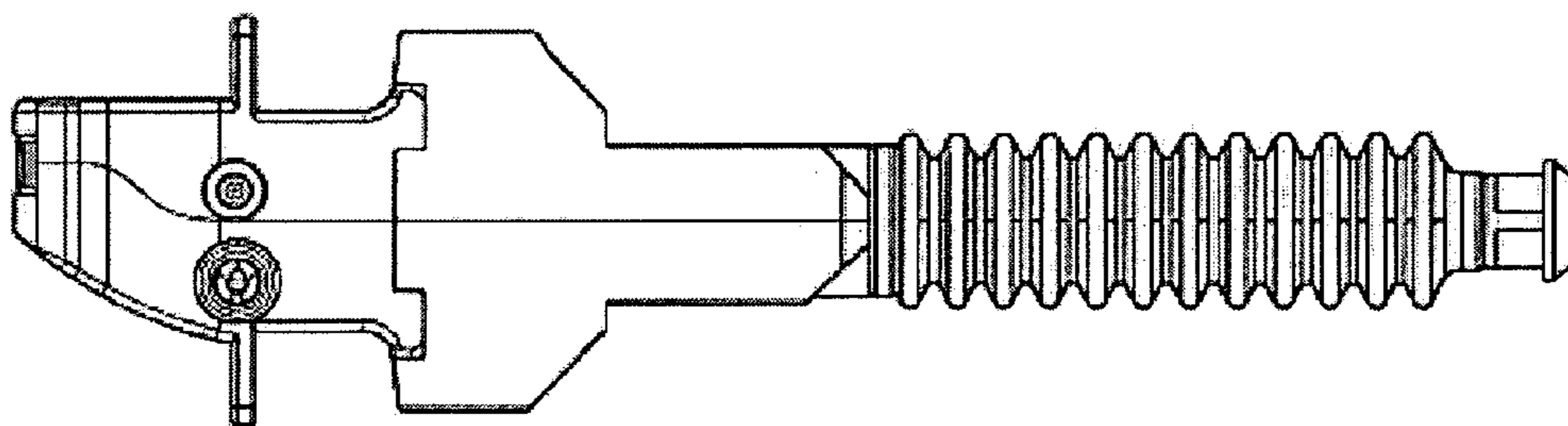


FIG. 5

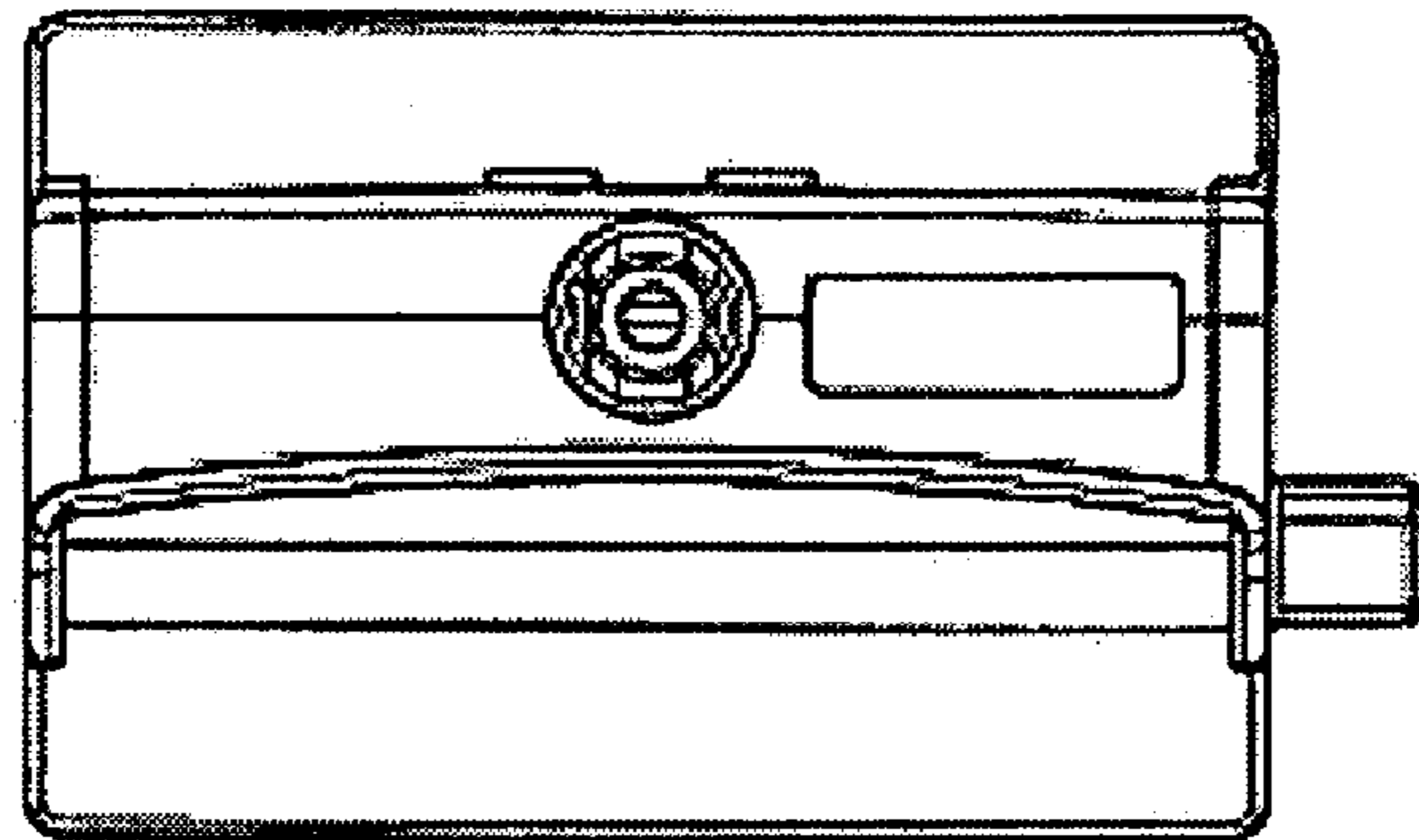


FIG. 6

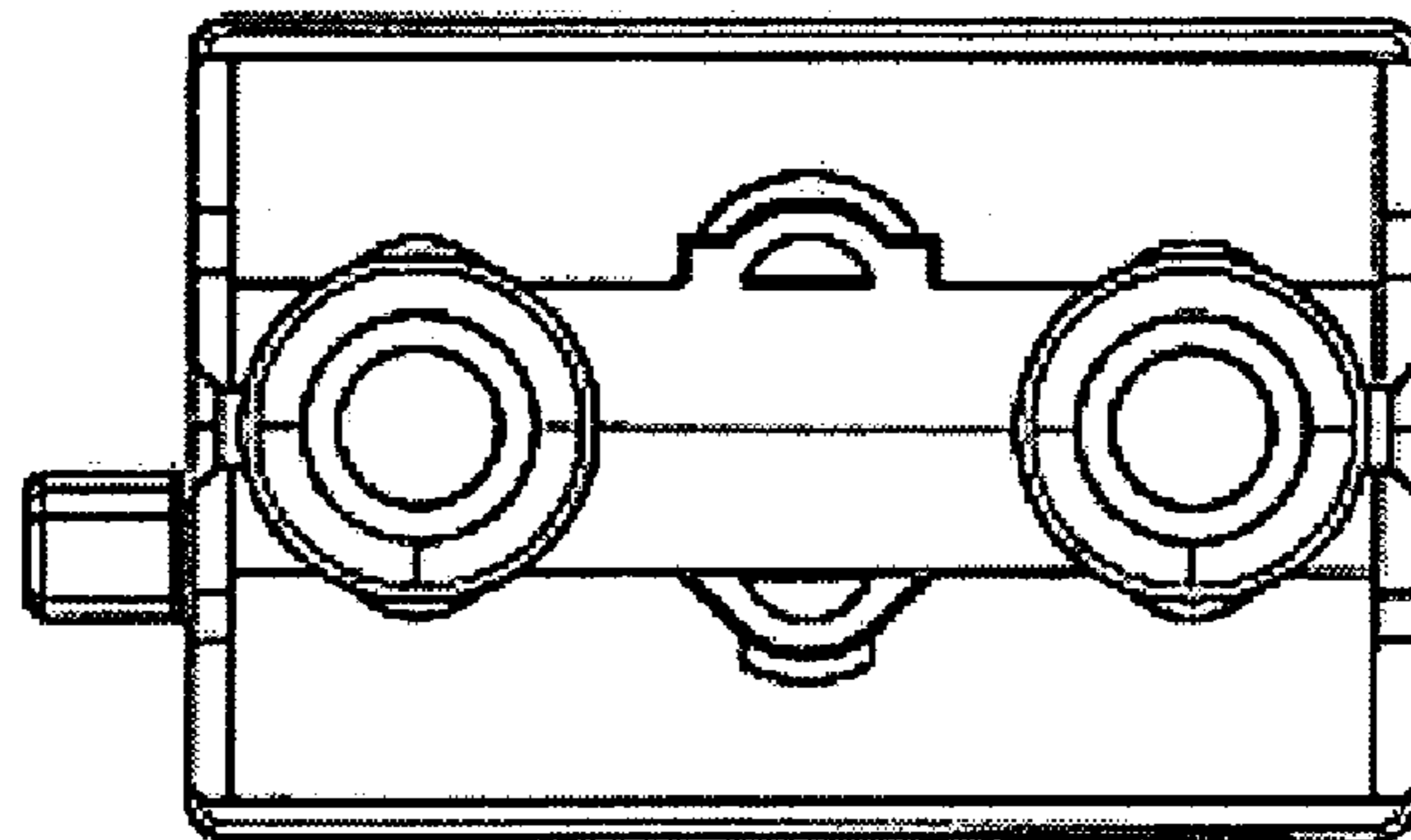


FIG. 7