



US00D578207S

(12) **United States Design Patent**
D'Souza et al.

(10) **Patent No.:** **US D578,207 S**
(45) **Date of Patent:** **** Oct. 7, 2008**

(54) **PORTION OF A CUSHION CLIP FOR A RESPIRATORY MASK**

2002/0185134 A1* 12/2002 Bishop 128/206.25

OTHER PUBLICATIONS

(75) Inventors: **Errol Savio Alex D'Souza**, Hornsby (AU); **Matthew Eves**, Carlingford (AU)

Parent U.S. Appl. No. 29/251,710, filed Jan. 12, 2006.

* cited by examiner

(73) Assignee: **ResMed Limited**, Bella Vista (AU)

Primary Examiner—Ian Simmons

Assistant Examiner—Christopher Lee

(**) Term: **14 Years**

(74) *Attorney, Agent, or Firm*—Nixon & Vanderhye P.C.

(21) Appl. No.: **29/272,805**

(57) **CLAIM**

(22) Filed: **Feb. 20, 2007**

The ornamental design for a portion of a cushion clip for a respiratory mask, as shown and described.

Related U.S. Application Data

DESCRIPTION

(63) Continuation of application No. 29/251,710, filed on Jan. 12, 2006.

FIG. 1 is a front perspective view of a portion of a cushion clip for a respiratory mask according to our design;

(51) **LOC (8) Cl.** **29-02**

FIG. 2 is a front view thereof;

(52) **U.S. Cl.** **D24/110.1; D24/110.4; D24/110.5**

FIG. 3 is a rear view thereof;

(58) **Field of Classification Search** D24/110.1, D24/110.4, 110.5, 129; 128/204.18, 205.25, 128/206.21, 206.26, 206.27, 207.13, 207.17, 128/207.11

FIG. 4 is a left side view thereof;

FIG. 5 is a right side view thereof;

See application file for complete search history.

FIG. 6 is a top view thereof;

FIG. 7 is a bottom view thereof; and,

FIG. 8 is a rear perspective view thereof.

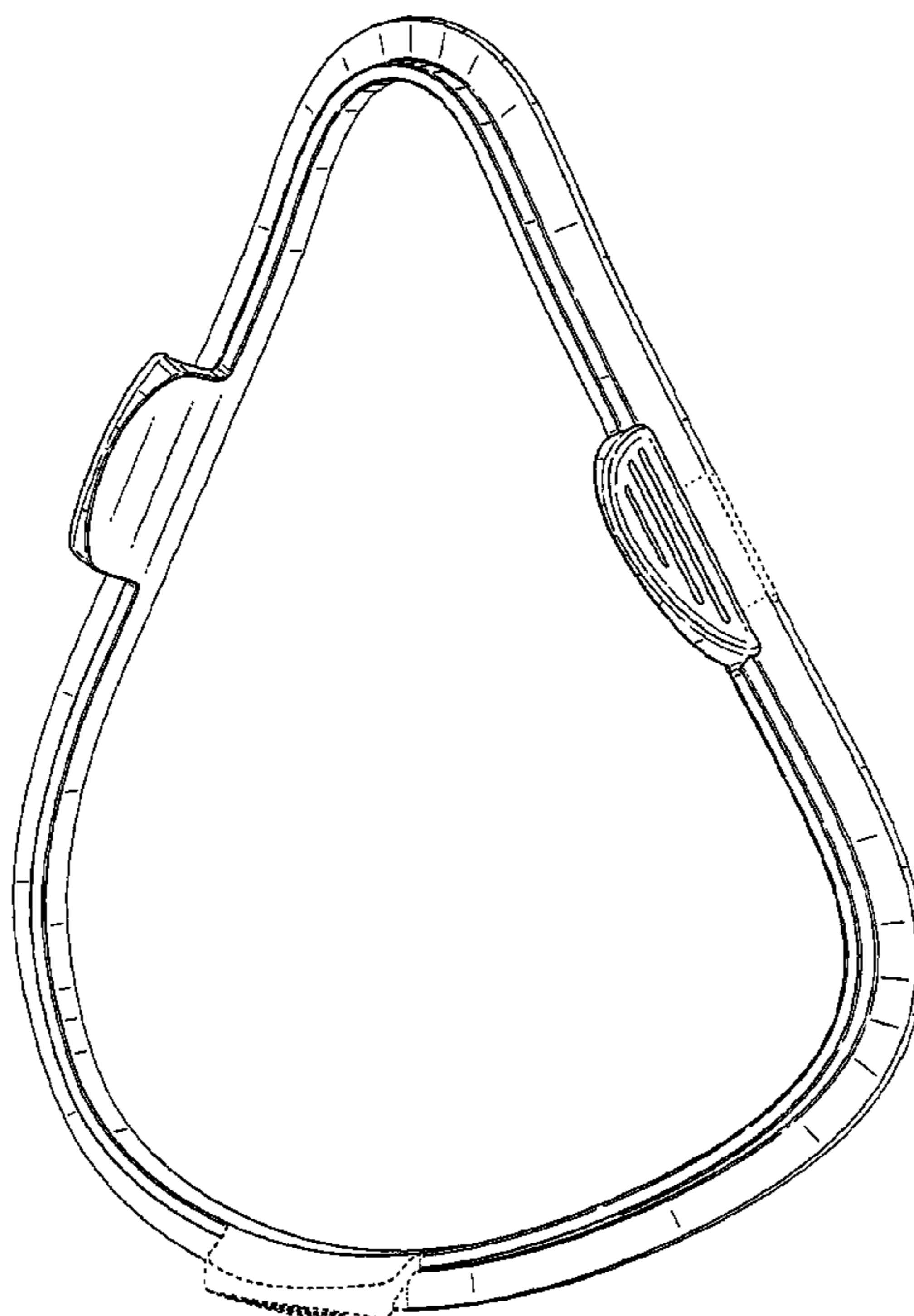
(56) **References Cited**

Where included, broken lines showing environment or structure are for illustrative purposes only and form no part of the claimed design. Where included, dotted lines represent the border between claimed and unclaimed subject matter and form no part of the claimed design.

U.S. PATENT DOCUMENTS

D419,670 S *	1/2000	Pollard	D24/110.1
6,412,487 B1	7/2002	Gunaratnam		
6,530,373 B1	3/2003	Patron		
D487,510 S	3/2004	Guney et al.		
D493,521 S	7/2004	GUNET et al.		

1 Claim, 6 Drawing Sheets



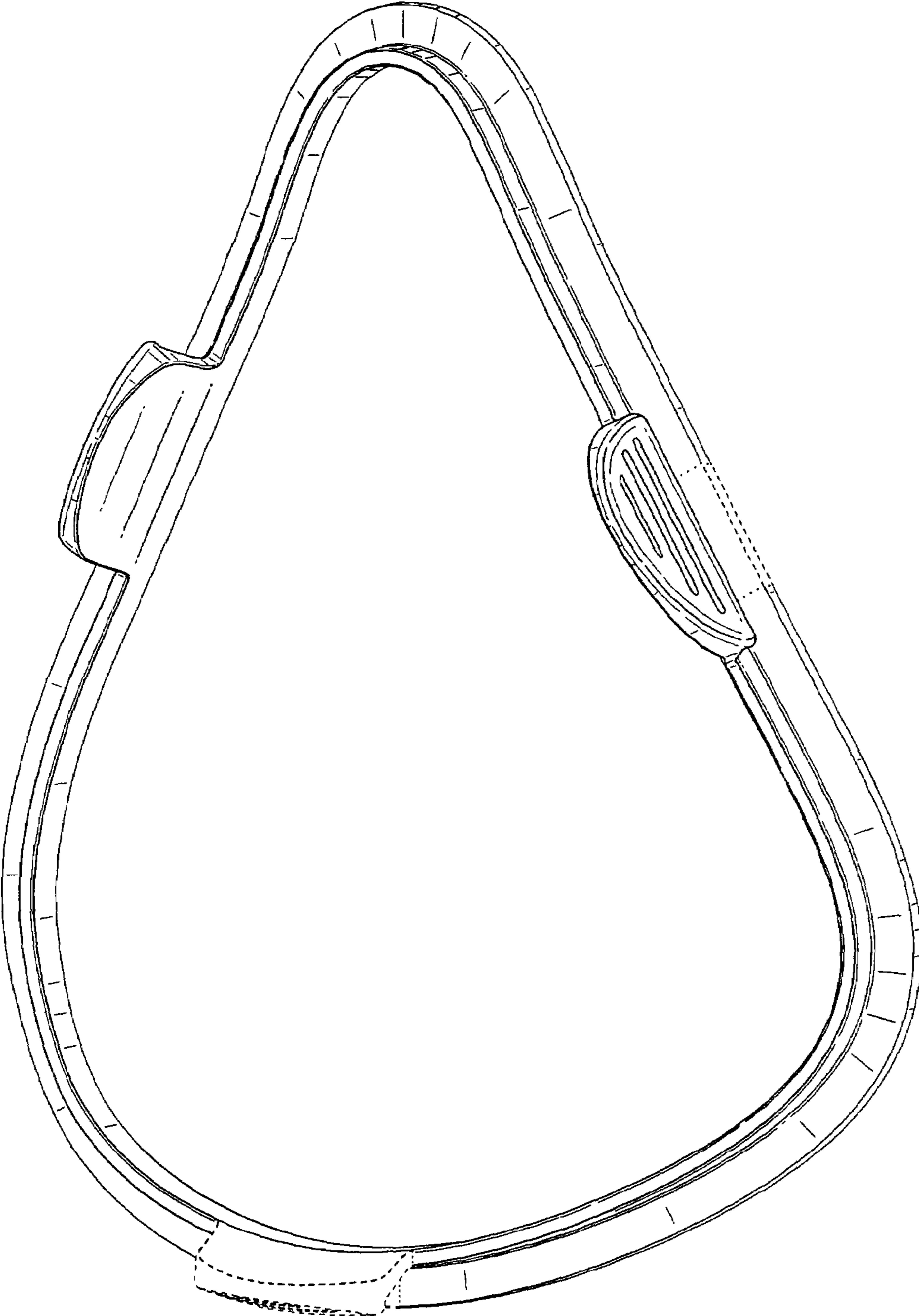


Fig. 1

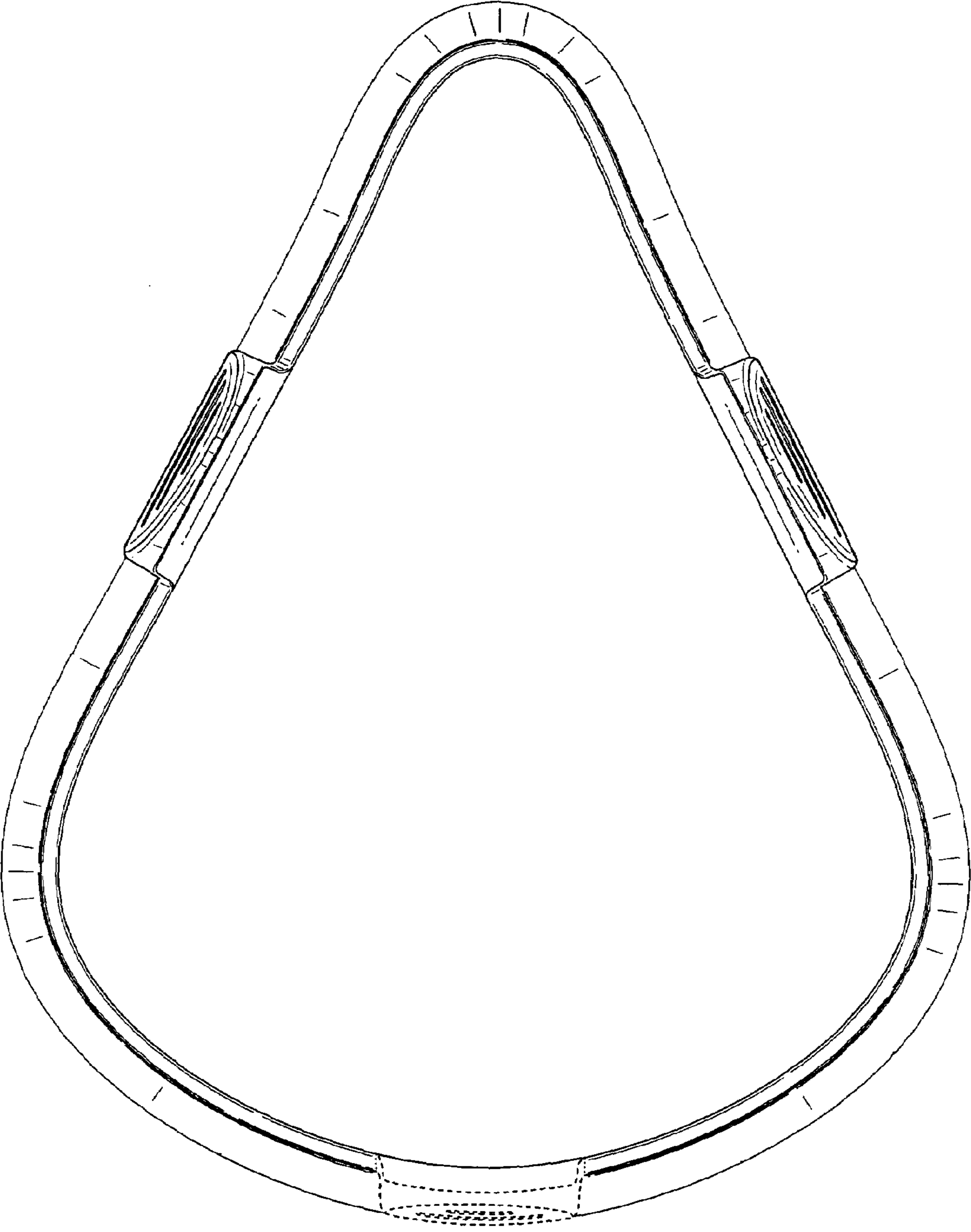


Fig. 2

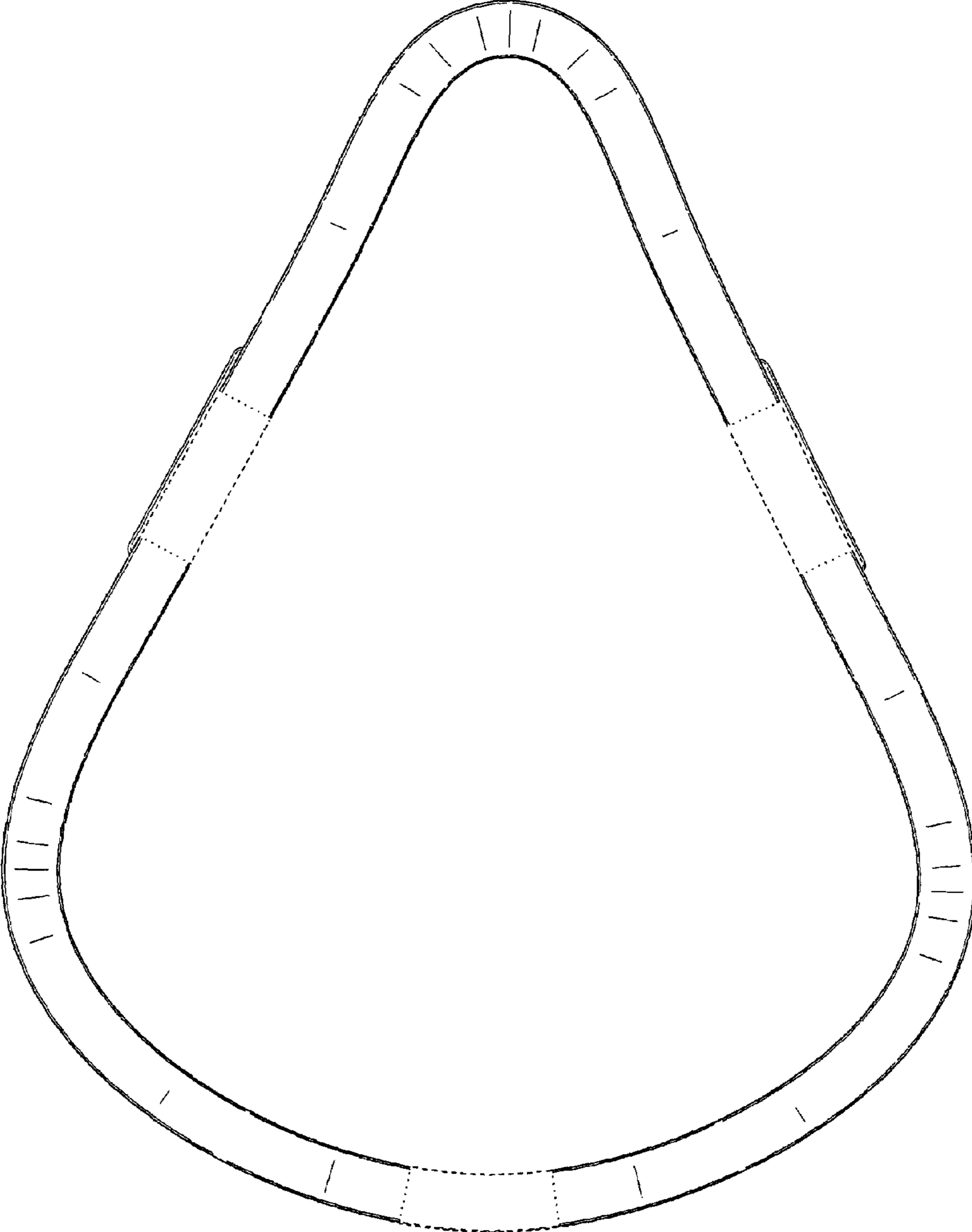


Fig. 3

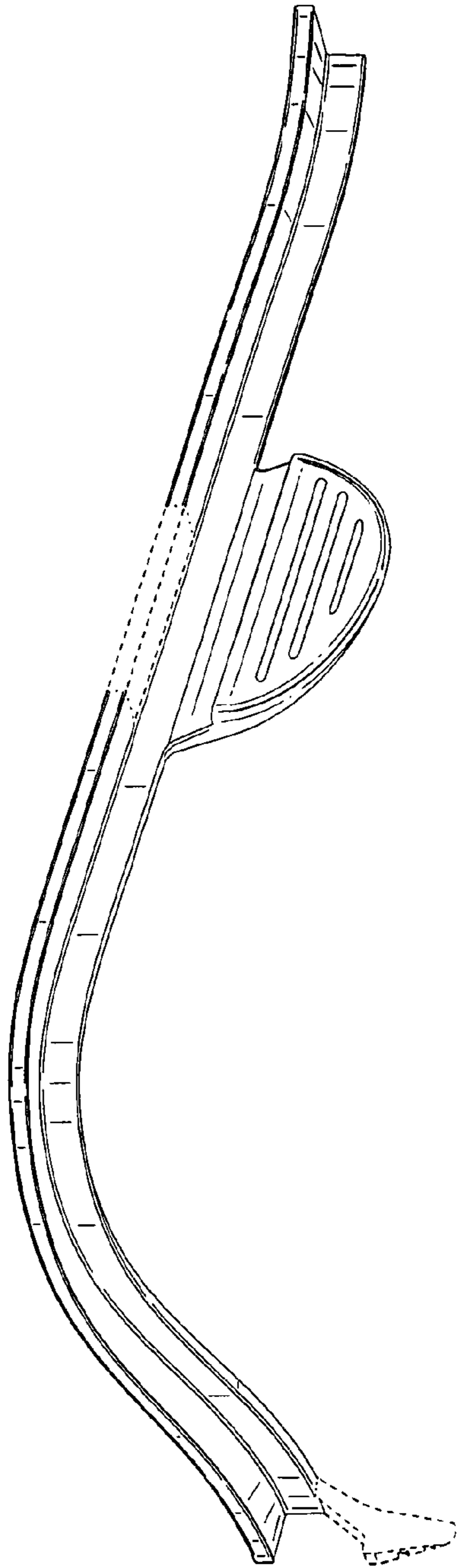


Fig. 4

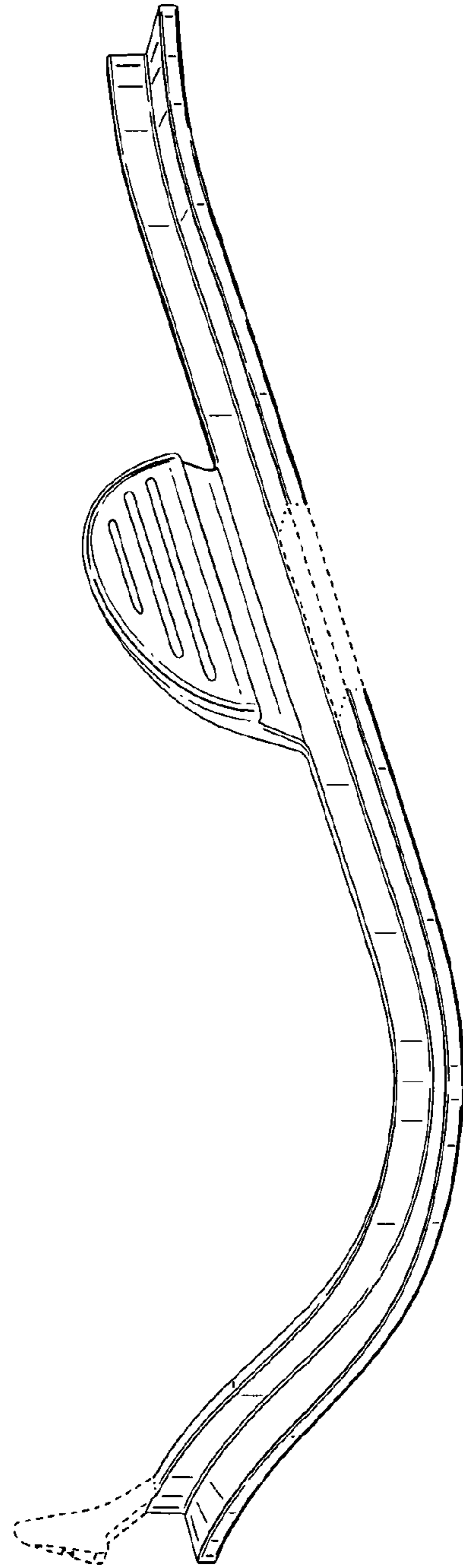


Fig. 5

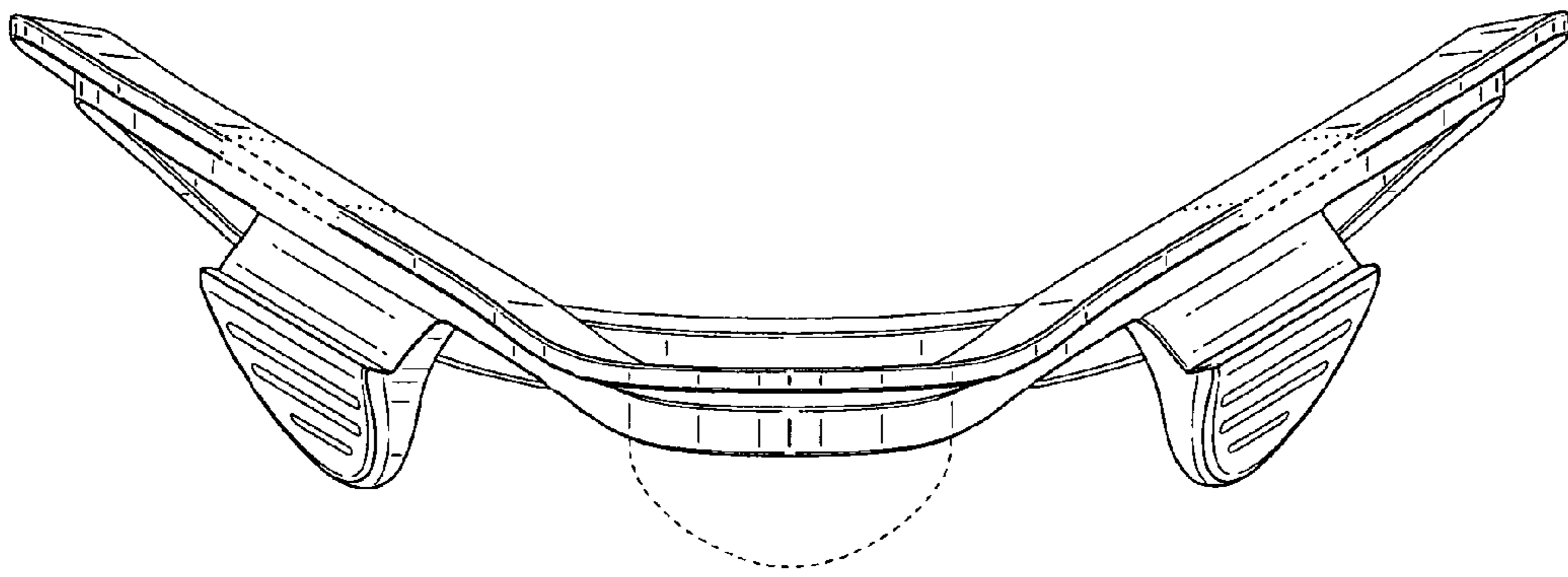


Fig. 6

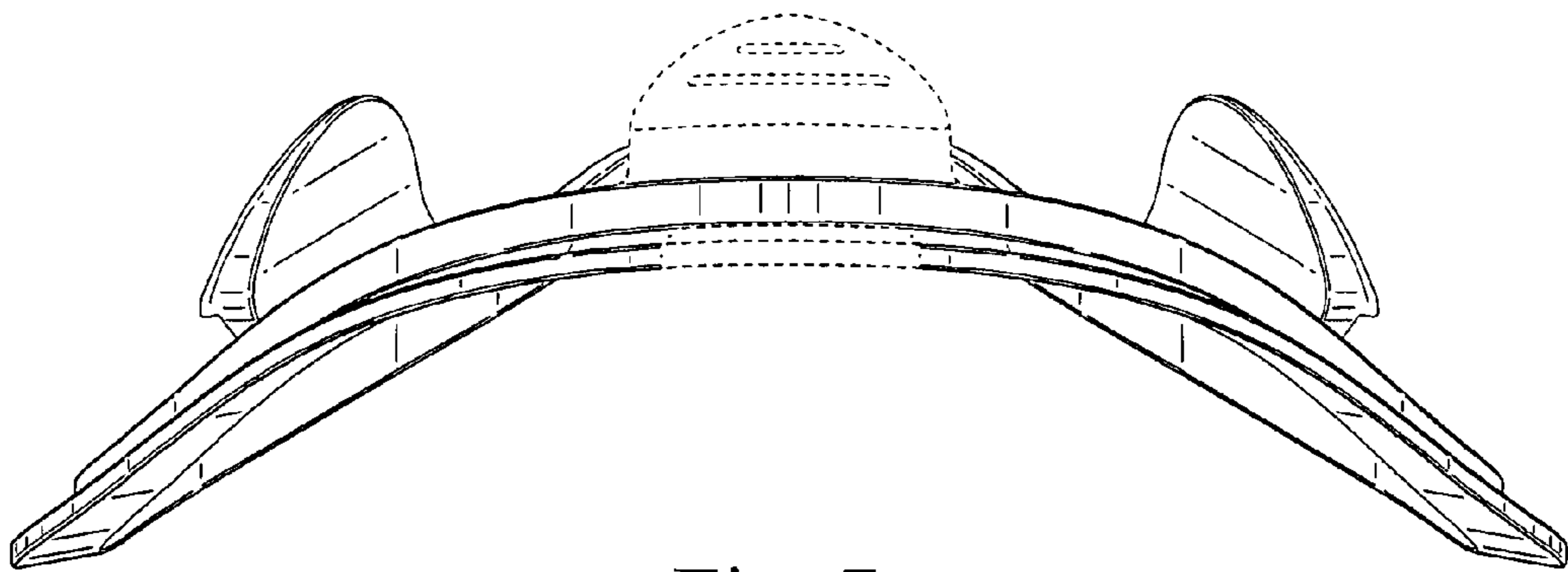


Fig. 7

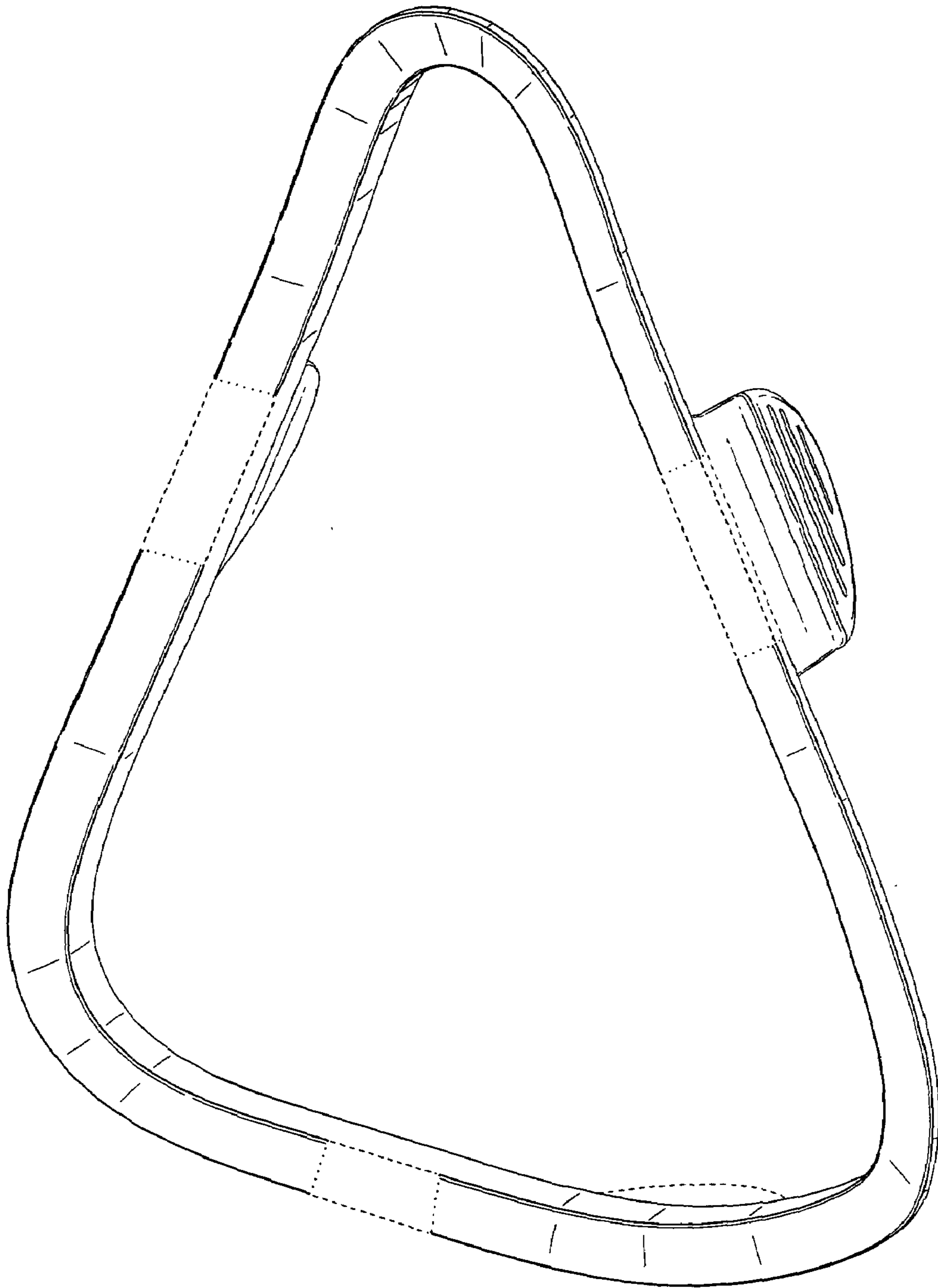


Fig. 8