



US00D578206S

(12) **United States Design Patent**
Hitchcock et al.

(10) **Patent No.:** **US D578,206 S**
(45) **Date of Patent:** **** Oct. 7, 2008**

(54) **PORTION OF AN ELBOW FOR A RESPIRATORY MASK**

2003/0089373 A1* 5/2003 Gradon et al. 128/206.27

(75) Inventors: **Robin Garth Hitchcock**, Carlingford (AU); **Scott Alexander Howard**, Harbord (AU); **Philip Thomas Stallard**, Denistone East (AU)

FOREIGN PATENT DOCUMENTS

WO WO 2005/051468 A1 6/2005

(73) Assignee: **ResMed Limited**, Bella Vista (AU)

OTHER PUBLICATIONS

Parent U.S. Appl. No. 29/251,709, filed Jan. 12, 2006.

(**) Term: **14 Years**

* cited by examiner

(21) Appl. No.: **29/272,803**

Primary Examiner—Ian Simmons
Assistant Examiner—Christopher Lee

(22) Filed: **Feb. 20, 2007**

(74) *Attorney, Agent, or Firm*—Nixon & Vanderhye P.C.

Related U.S. Application Data

(63) Continuation of application No. 29/251,709, filed on Jan. 12, 2006, now Pat. No. Des. 558,333.

(57) **CLAIM**

The ornamental design for a portion of an elbow for a respiratory mask, as shown and described.

(51) **LOC (8) Cl.** **29-02**

DESCRIPTION

(52) **U.S. Cl.** **D24/110.1**; D24/110.4; D24/110.5

FIG. 1 is a front perspective view of a portion of an elbow for a respiratory mask according to our design;

(58) **Field of Classification Search** D24/110.1, D24/110.4, 110.5, 129; 128/204.18, 205.25, 128/206.21, 206.26, 206.27, 207.12, 207.13, 128/207.17

FIG. 2 is a front view thereof;

FIG. 3 is a rear view thereof;

FIG. 4 is a left side view thereof;

FIG. 5 is a right side view thereof;

FIG. 6 is a top view thereof; and,

FIG. 7 is a bottom view thereof.

See application file for complete search history.

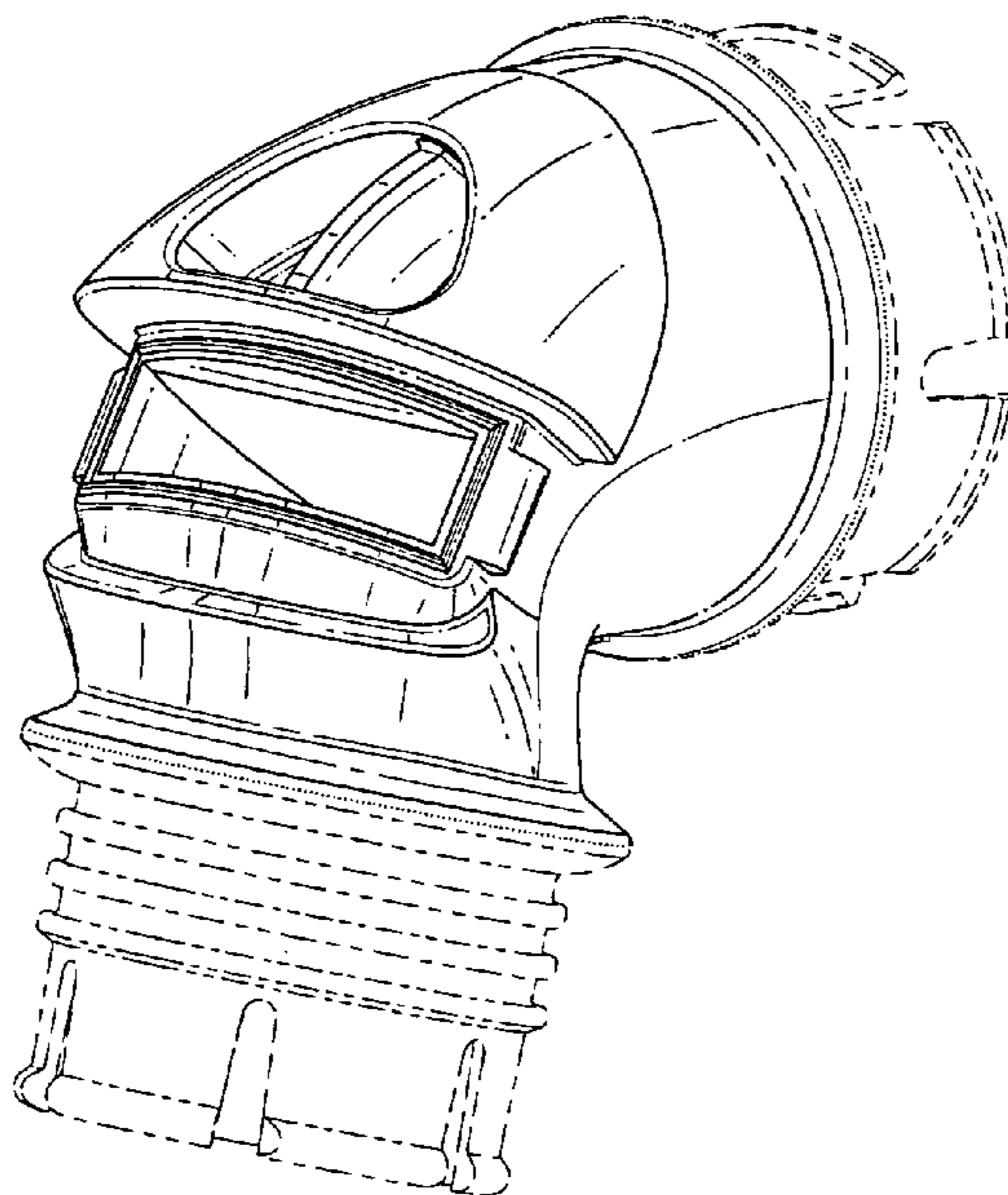
Where included, broken lines showing environment or structure are for illustrative purposes only and form no part of the claimed design. Where included, dotted lines represent the border between claimed and unclaimed subject matter and form no part of the claimed design.

(56) **References Cited**

U.S. PATENT DOCUMENTS

6,467,483	B1	10/2002	Kopacko	
6,691,707	B1	2/2004	Gunaratnam	
D496,098	S	9/2004	Guney	
6,851,425	B2	2/2005	Jaffre	
6,907,882	B2	6/2005	Ging	
7,185,652	B2 *	3/2007	Gunaratnam et al. ...	128/205.25
2002/0023650	A1	2/2002	Gunaratnam et al.	

1 Claim, 4 Drawing Sheets



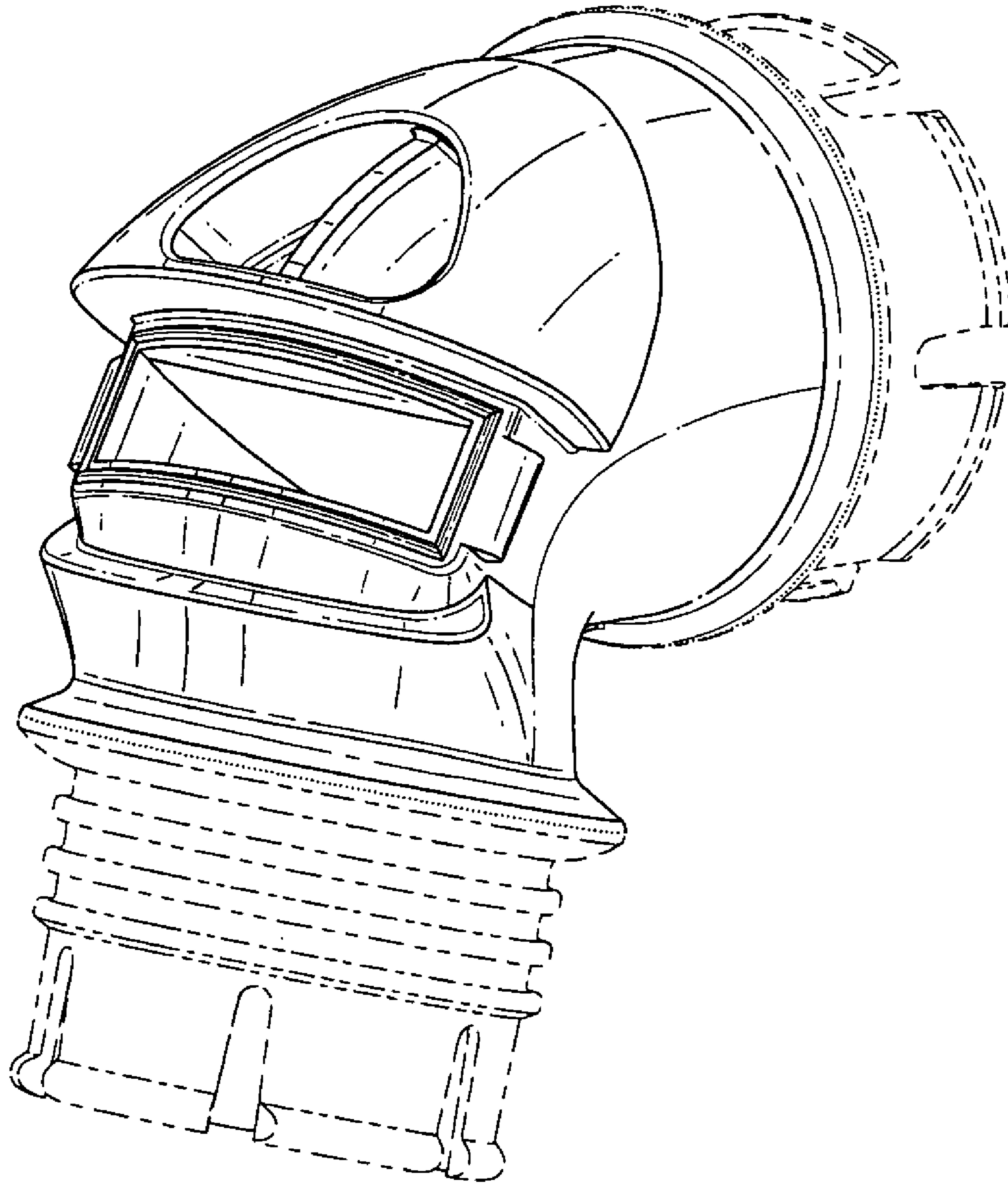


Fig. 1

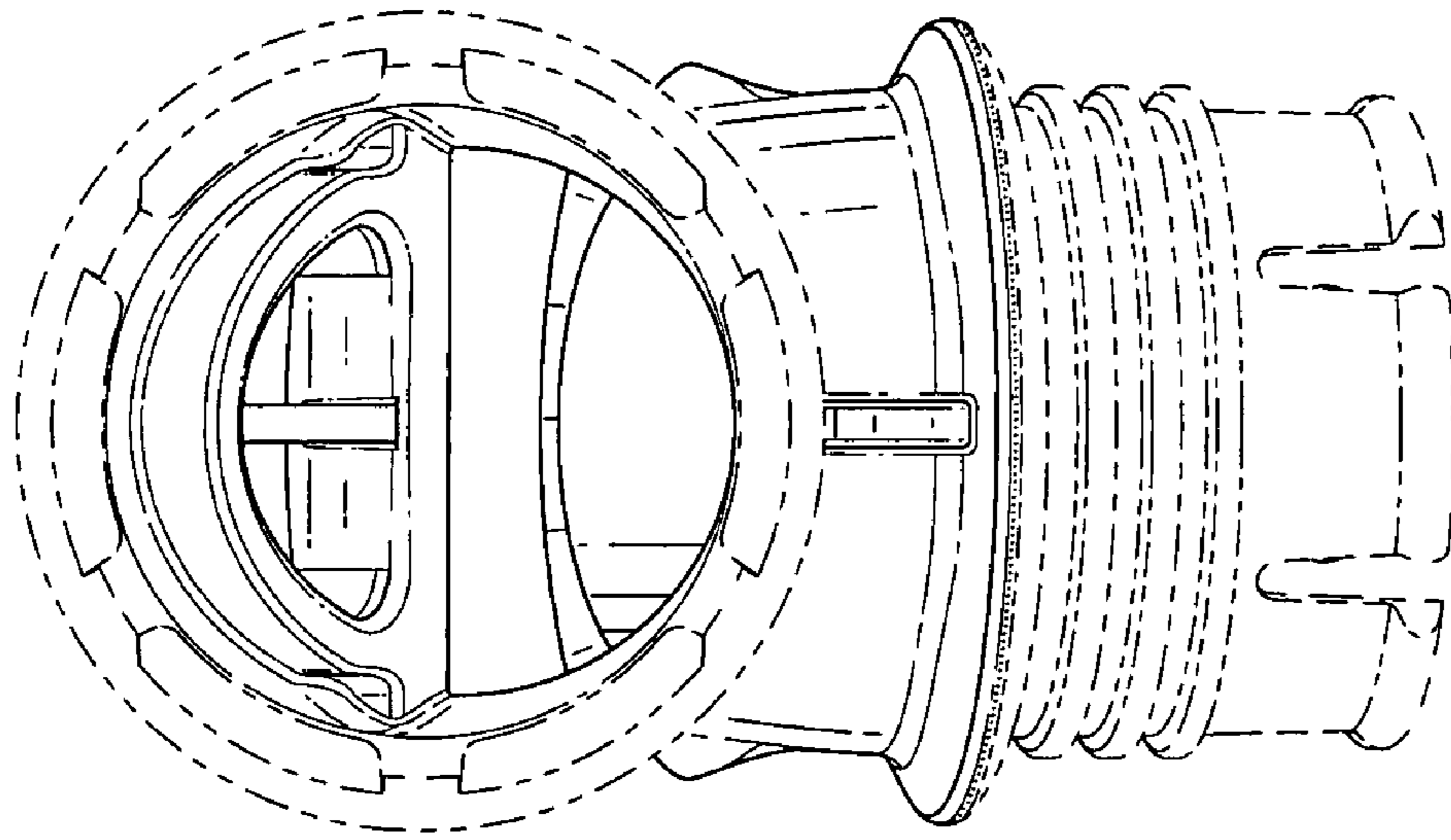


Fig. 2

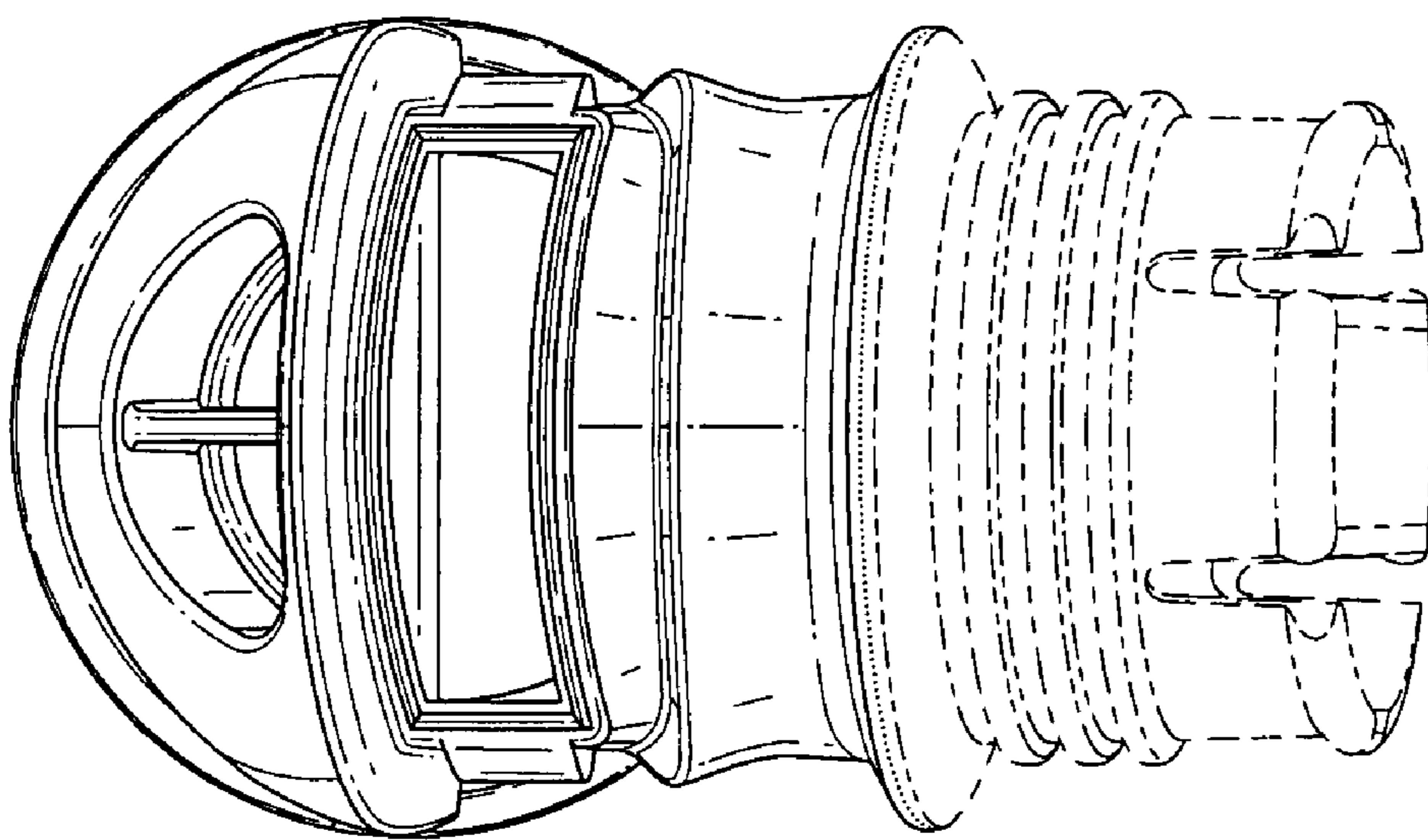


Fig. 3

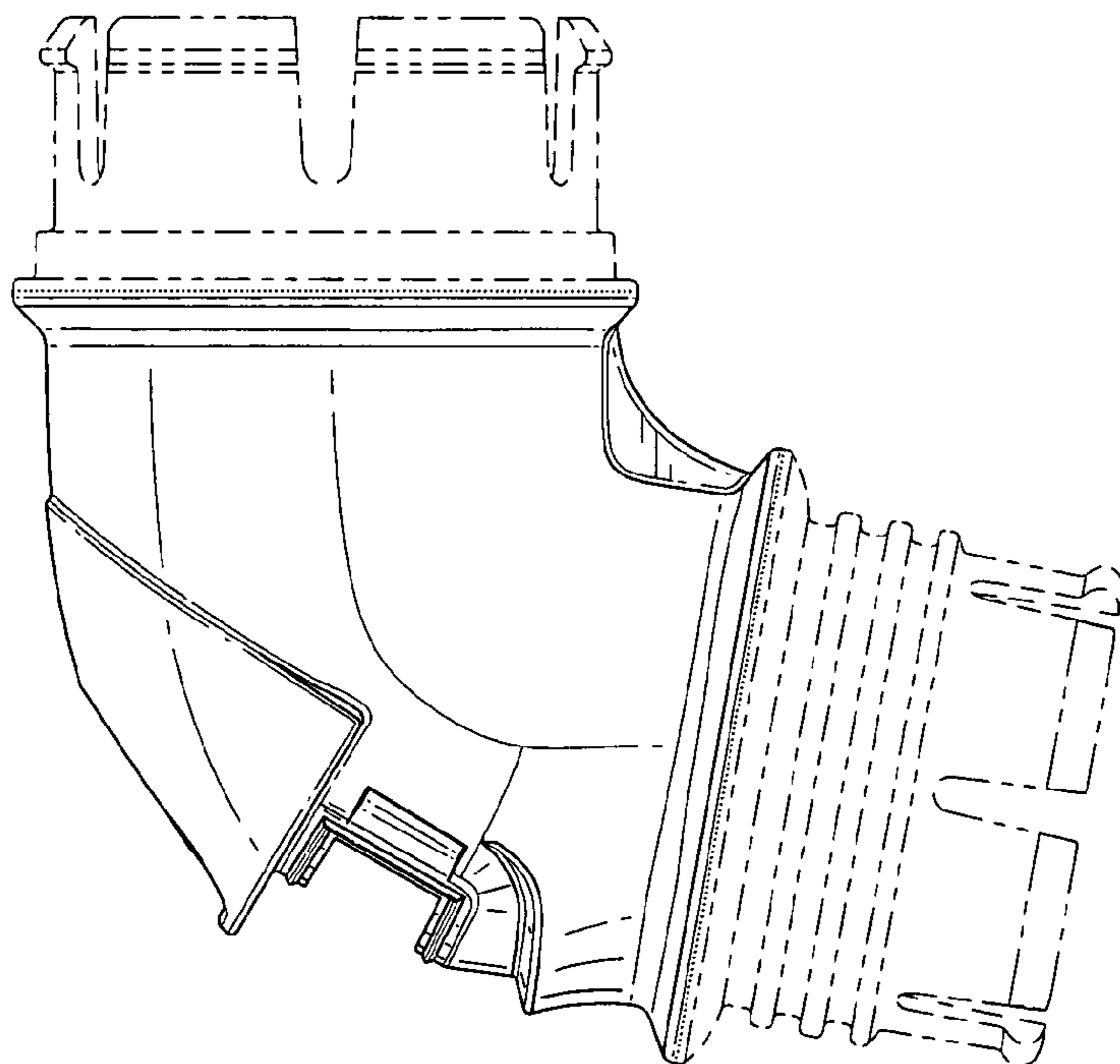


Fig. 5

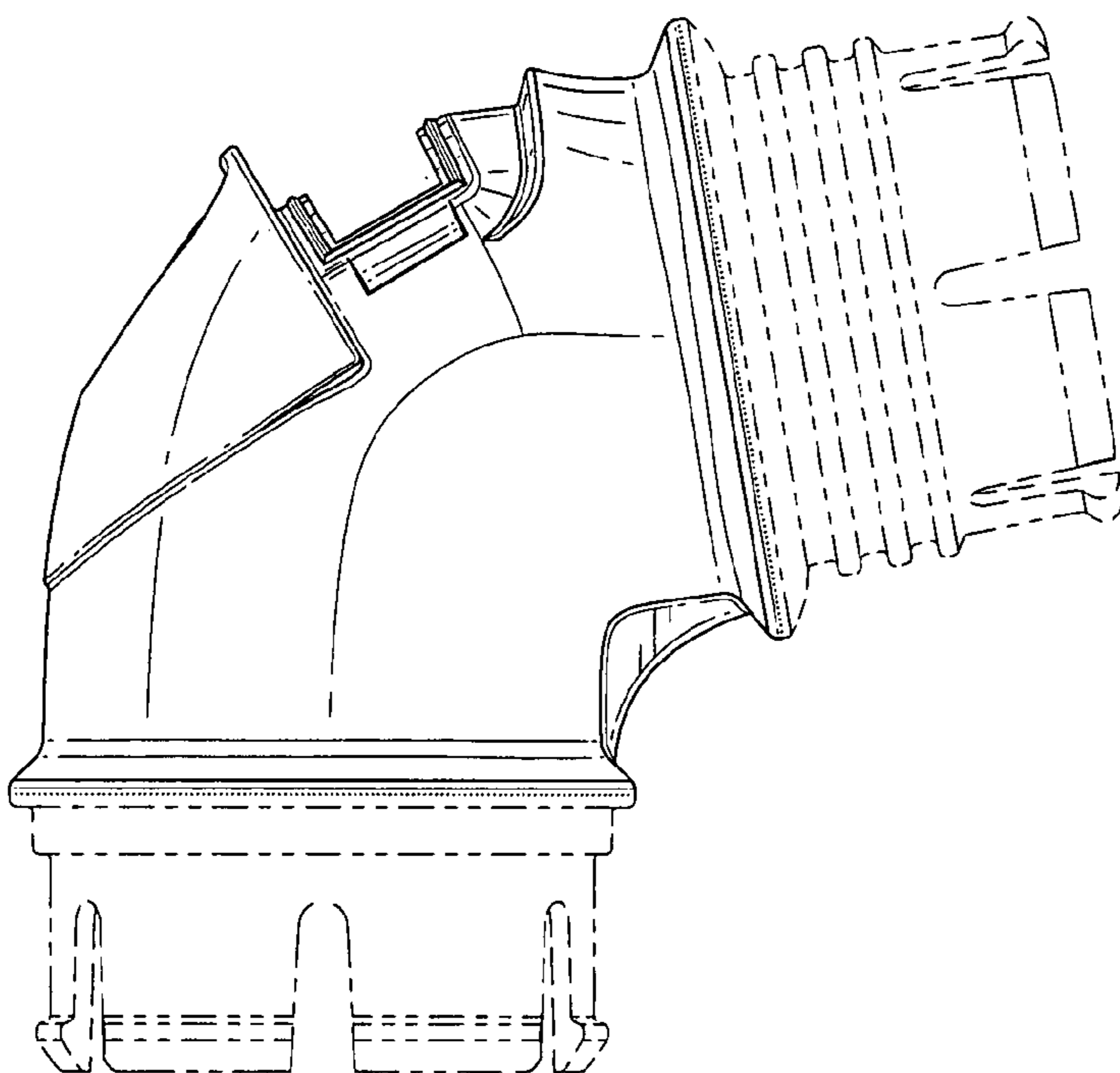


Fig. 4

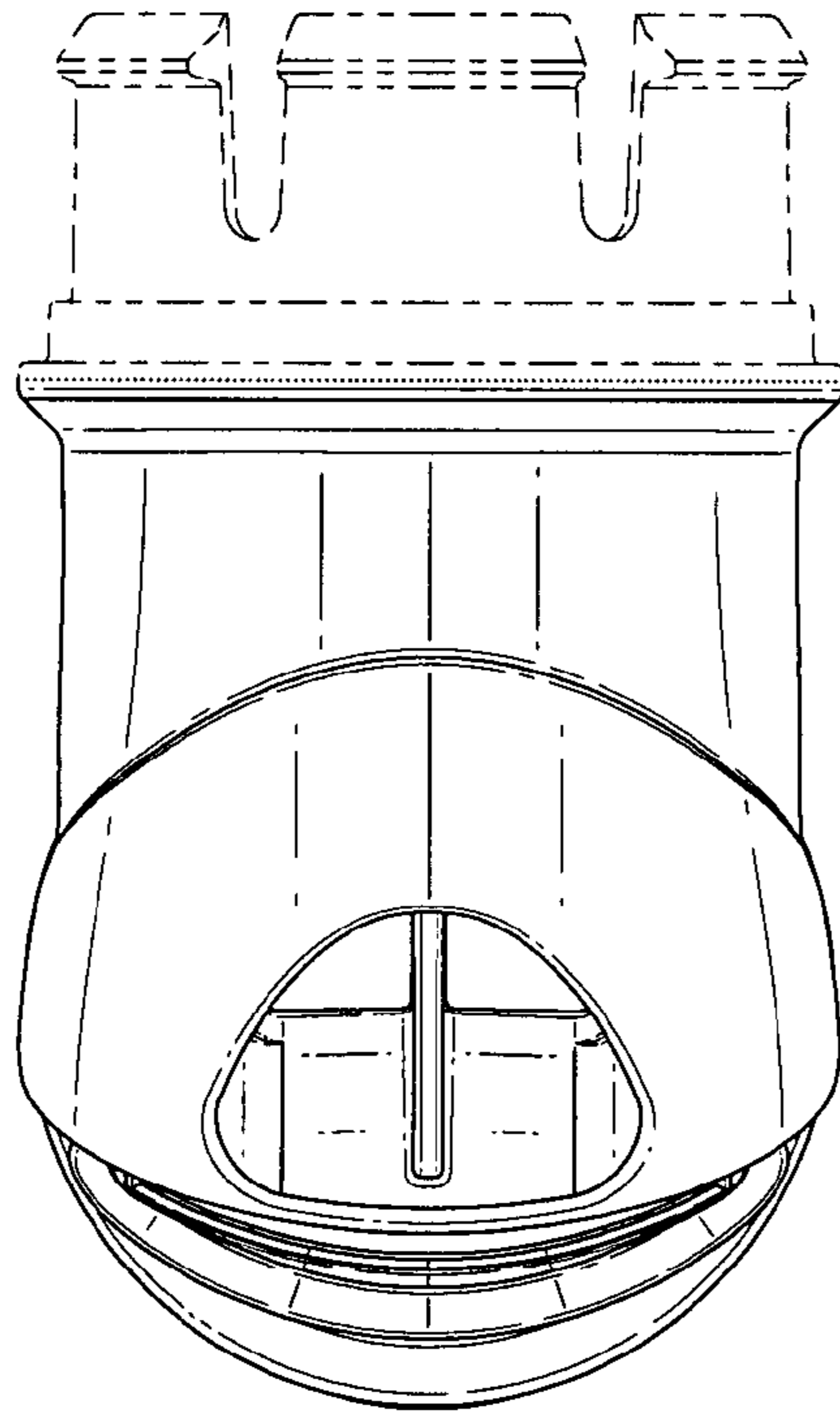


Fig. 6

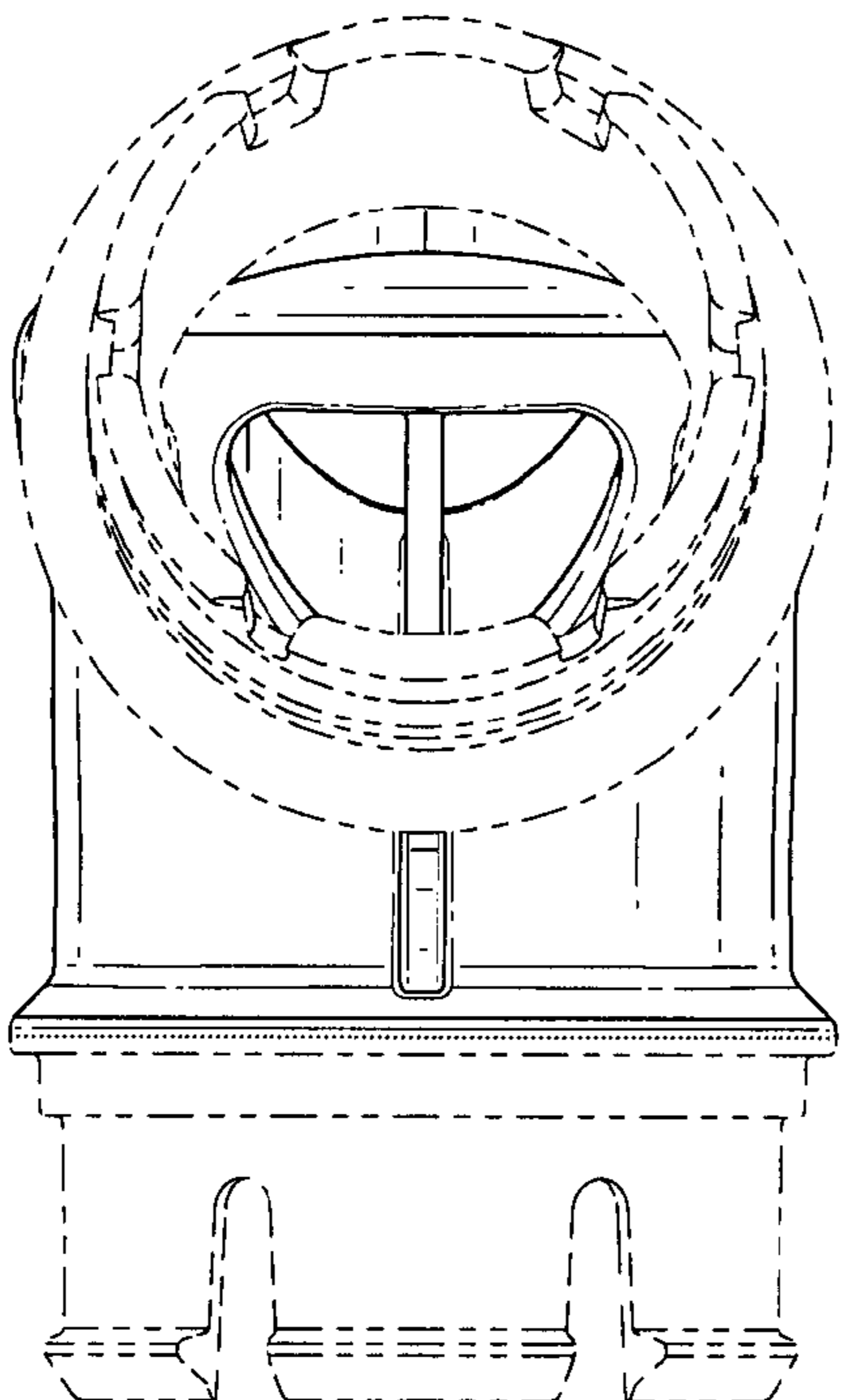


Fig. 7