



US00D578201S

(12) **United States Design Patent**
Pickett

(10) **Patent No.:** **US D578,201 S**
(45) **Date of Patent:** **** Oct. 7, 2008**

(54) **BLADE HOLDER**

(76) Inventor: **Mark Pickett**, 1419 E. Palm St.,
Altadena, CA (US) 91001

(**) Term: **14 Years**

(21) Appl. No.: **29/306,638**

(22) Filed: **Apr. 14, 2008**

(51) **LOC (8) Cl.** **23-04**

(52) **U.S. Cl.** **D23/411**

(58) **Field of Classification Search** D23/377,
D23/379, 385, 411, 413; 416/5
See application file for complete search history.

(56) **References Cited**

U.S. PATENT DOCUMENTS

D490,888 S * 6/2004 Tai D23/377
D522,129 S * 5/2006 Hidalgo D23/411

* cited by examiner

Primary Examiner—Lisa P Lichtenstein

(74) *Attorney, Agent, or Firm*—Parsons & Goltry; Michael W. Goltry; Robert A. Parsons

(57) **CLAIM**

The ornamental design for a blade holder, as shown and described.

DESCRIPTION

FIG. 1 is a bottom perspective view of a blade holder showing my new design;

FIG. 2 is a top perspective view thereof;

FIG. 3 is a bottom plan view thereof;

FIG. 4 is a top plan view thereof;

FIG. 5 is a right side elevational view thereof;

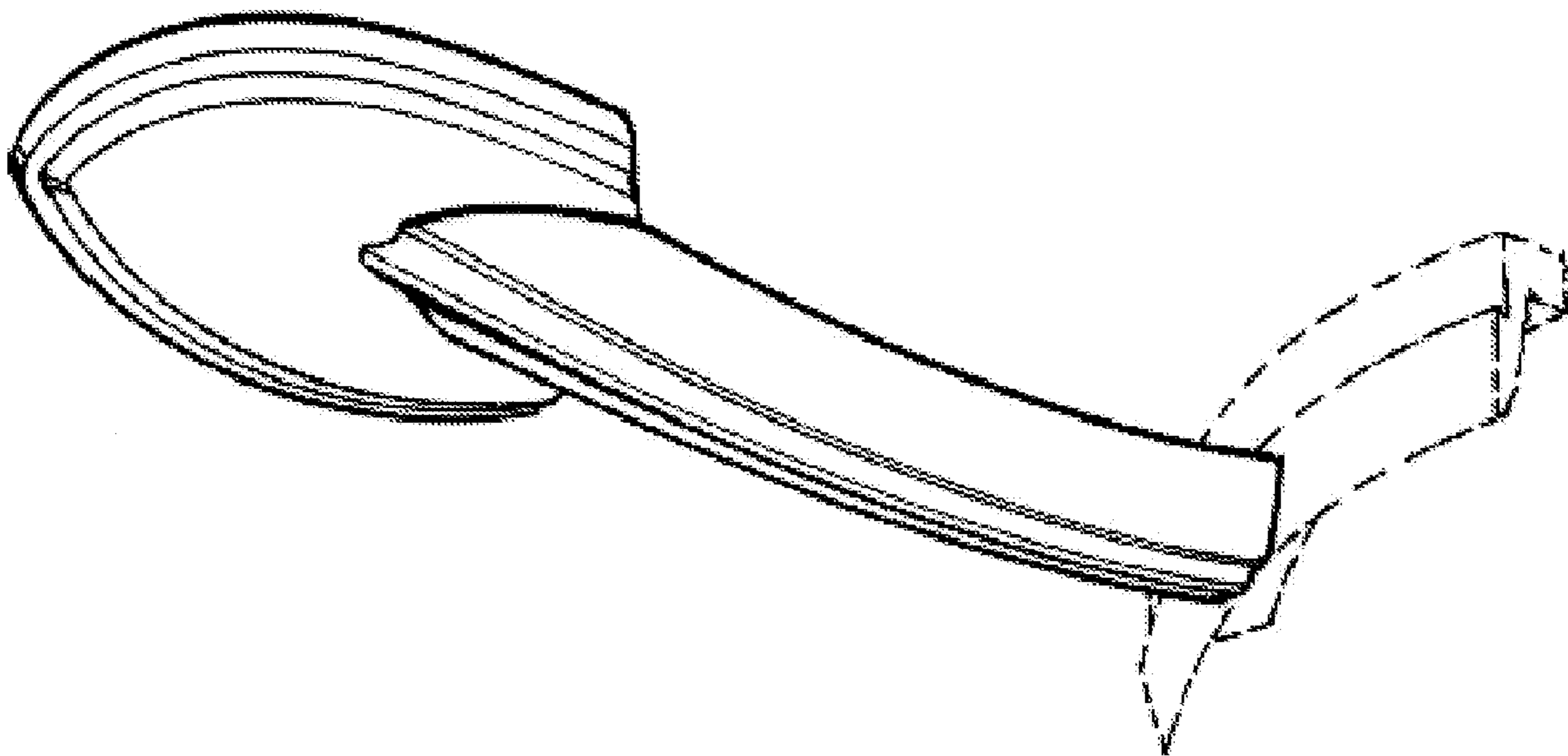
FIG. 6 is a left side elevational view thereof;

FIG. 7 is an enlarged front elevational view thereof; and,

FIG. 8 is an enlarged rear elevational view thereof.

The broken line showing of the blade holder attachment member is included for the purpose of illustrating environmental structure and forms no part of the claimed design.

1 Claim, 4 Drawing Sheets



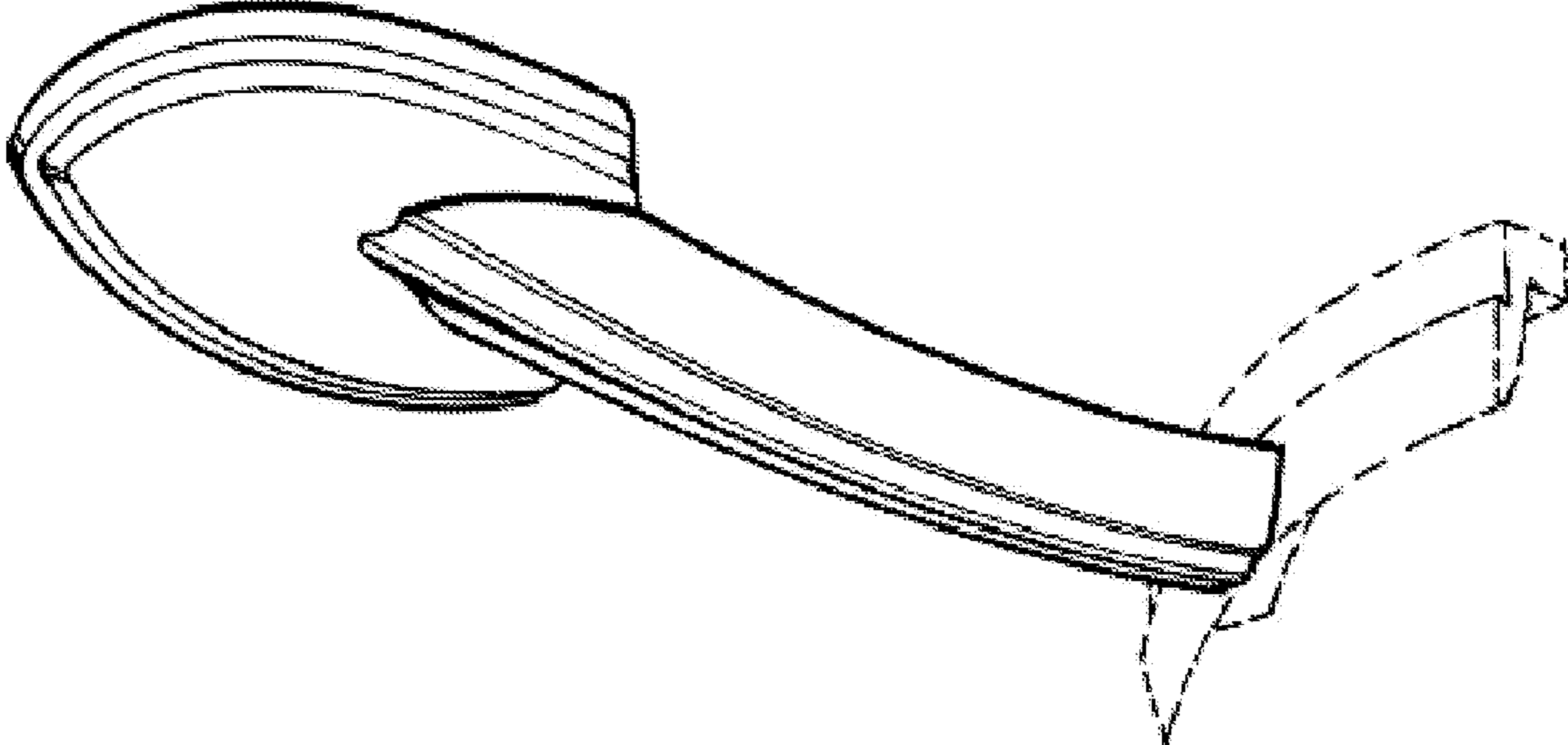


FIG. 1



FIG. 2

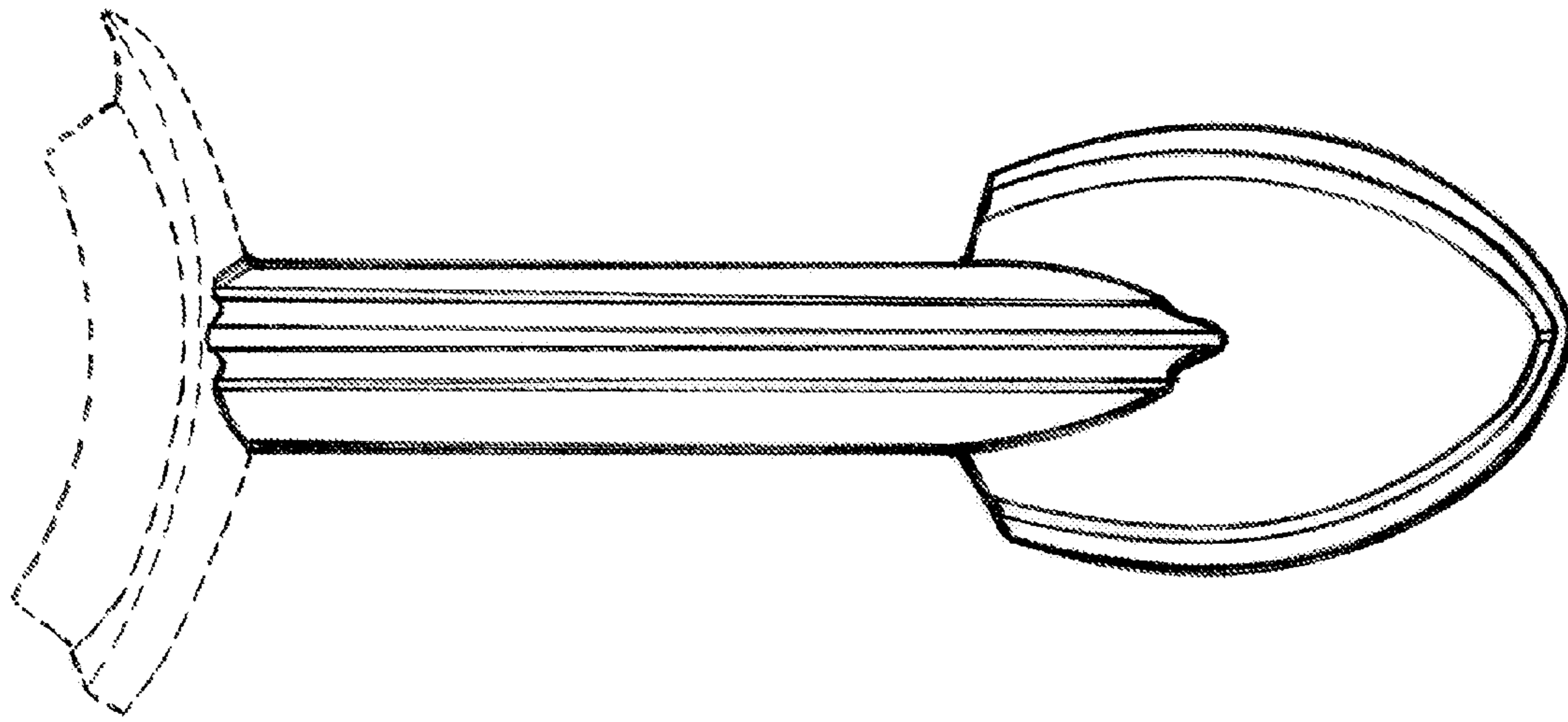


FIG. 3

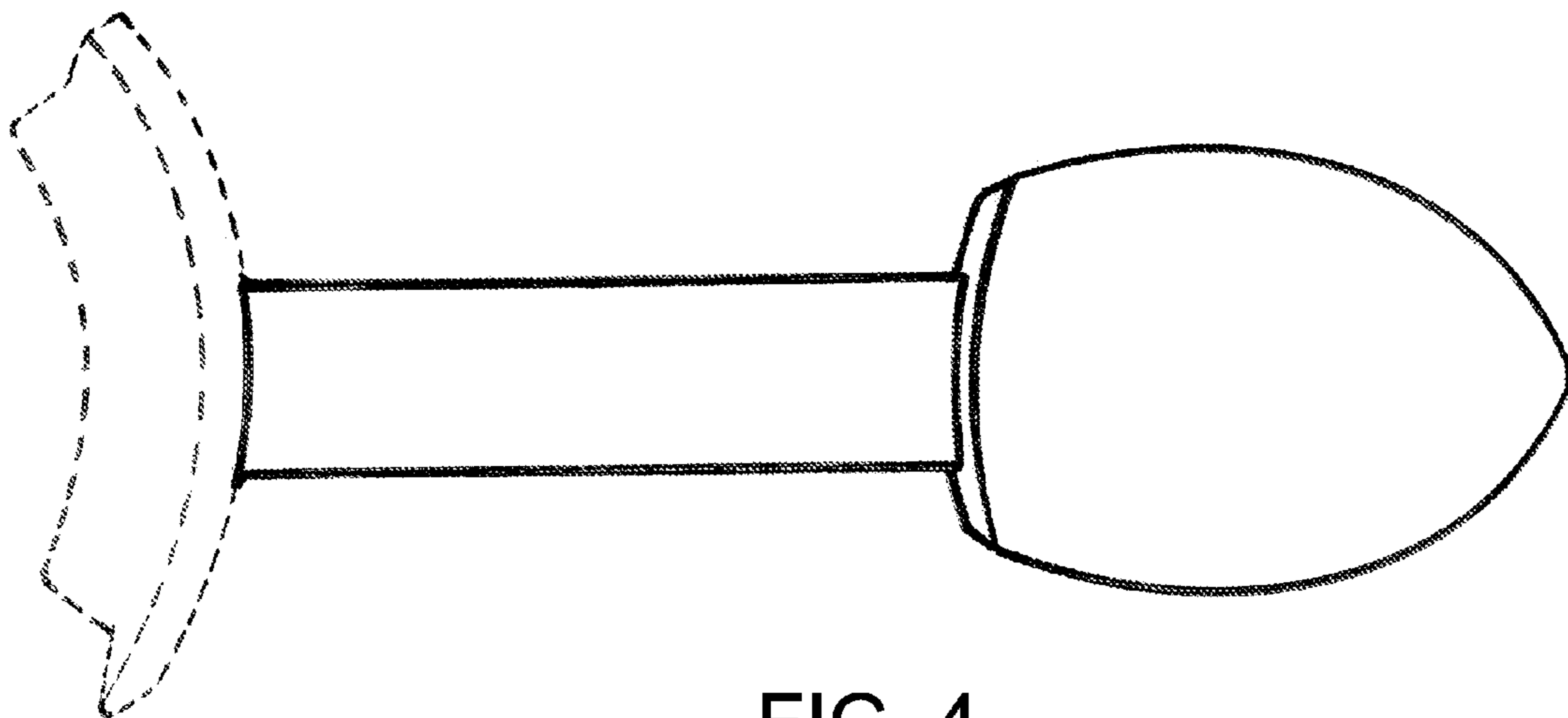


FIG. 4



FIG. 5



FIG. 6

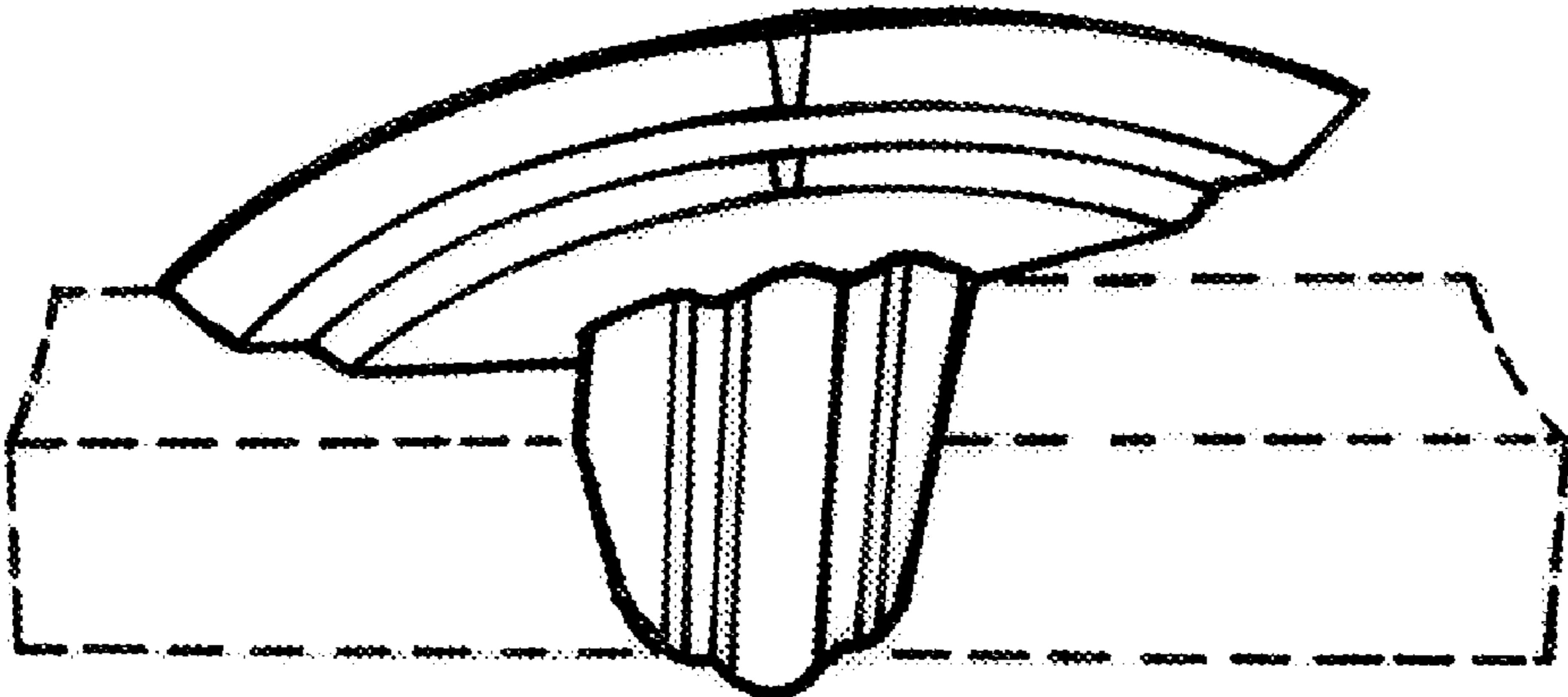


FIG. 7

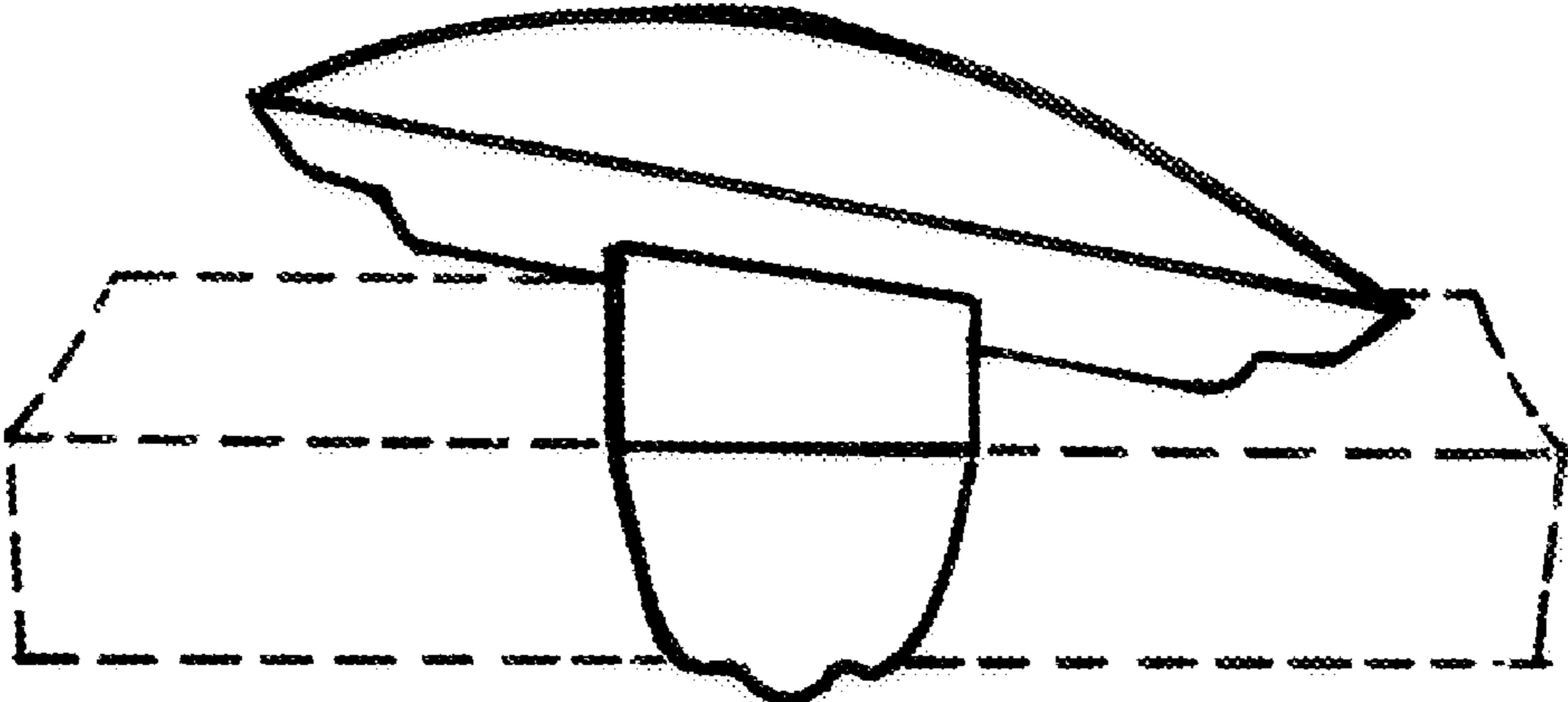


FIG. 8