



US00D578199S

(12) **United States Design Patent**
Fabrega et al.

(10) **Patent No.:** **US D578,199 S**
(45) **Date of Patent:** **** Oct. 7, 2008**

(54) **AIR FRESHENER**

(75) Inventors: **Ruben Garcia Fabrega**, Cerdanyola Del Valles (ES); **David Moreno Perez**, Cerdanyola Del Valles (ES)

(73) Assignee: **Zobebe Espana, S.A.** (ES)

(**) Term: **14 Years**

(21) Appl. No.: **29/302,056**

(22) Filed: **Jan. 9, 2008**

(30) **Foreign Application Priority Data**

Jul. 9, 2007 (EP) 000754478

(51) **LOC (8) Cl.** **28-99**

(52) **U.S. Cl.** **D23/366**

(58) **Field of Classification Search** D23/355-369;
261/DIG. 17, DIG. 42, DIG. 65, DIG. 88,
261/DIG. 89; D28/5, 6; 392/386, 390-394,
392/401, 404, 406; 239/34, 35, 41-44, 53-60,
239/136, 326

See application file for complete search history.

(56) **References Cited**

U.S. PATENT DOCUMENTS

2,734,769 A * 2/1956 Holz 239/57
3,065,915 A * 11/1962 Samann 239/35
D346,856 S * 5/1994 Kany D23/368
5,383,598 A * 1/1995 Styles 239/57
D372,526 S * 8/1996 Rymer D23/366
5,544,812 A * 8/1996 Torres 239/55
D376,420 S * 12/1996 Rymer D23/368
5,788,155 A * 8/1998 Martin et al. 239/34

5,853,672 A * 12/1998 Lorman et al. 422/124
5,975,427 A * 11/1999 Harries 239/34
D437,404 S * 2/2001 Wu D23/367
D438,607 S * 3/2001 Edwards et al. D23/366
D511,569 S * 11/2005 Harbutt et al. D23/366
D516,193 S * 2/2006 Caserta et al. D23/366
D518,162 S * 3/2006 Miro D23/366
D532,506 S * 11/2006 Caserta et al. D23/366
D545,956 S * 7/2007 Mattan et al. D23/366
D549,312 S * 8/2007 Caserta et al. D23/360
D551,749 S * 9/2007 Caserta et al. D23/366
D553,230 S * 10/2007 Caserta et al. D23/360

* cited by examiner

Primary Examiner—Sandra Snapp

(74) *Attorney, Agent, or Firm*—Cantor Colburn LLP

(57) **CLAIM**

We claim, the ornamental design for a air freshener, as shown and described.

DESCRIPTION

FIG. 1 is a front perspective view of an air freshener, showing our new design;

FIG. 2 is a rear perspective view thereof;

FIG. 3 is a front elevation view thereof;

FIG. 4 is a side view thereof taken from the right of FIG. 3;

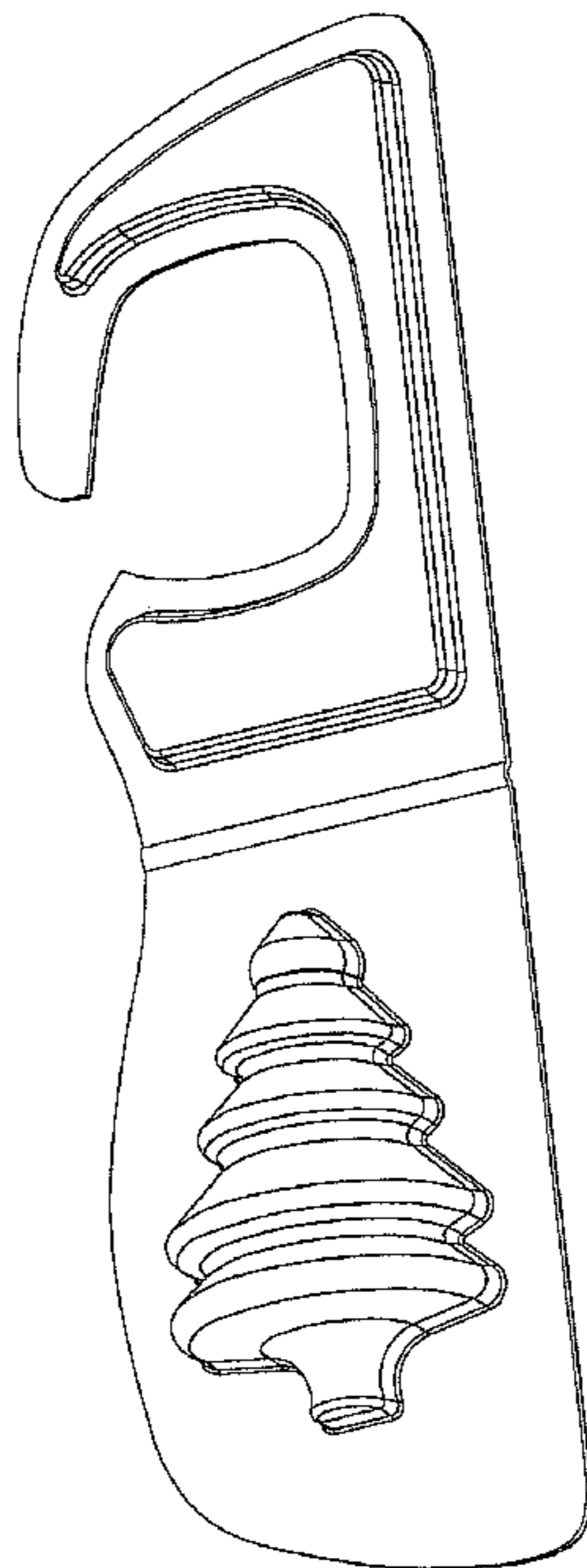
FIG. 5 is a top plan view thereof;

FIG. 6 is a rear elevation view thereof;

FIG. 7 is a side view thereof taken from the left of FIG. 3; and,

FIG. 8 is a bottom plan view thereof.

1 Claim, 8 Drawing Sheets



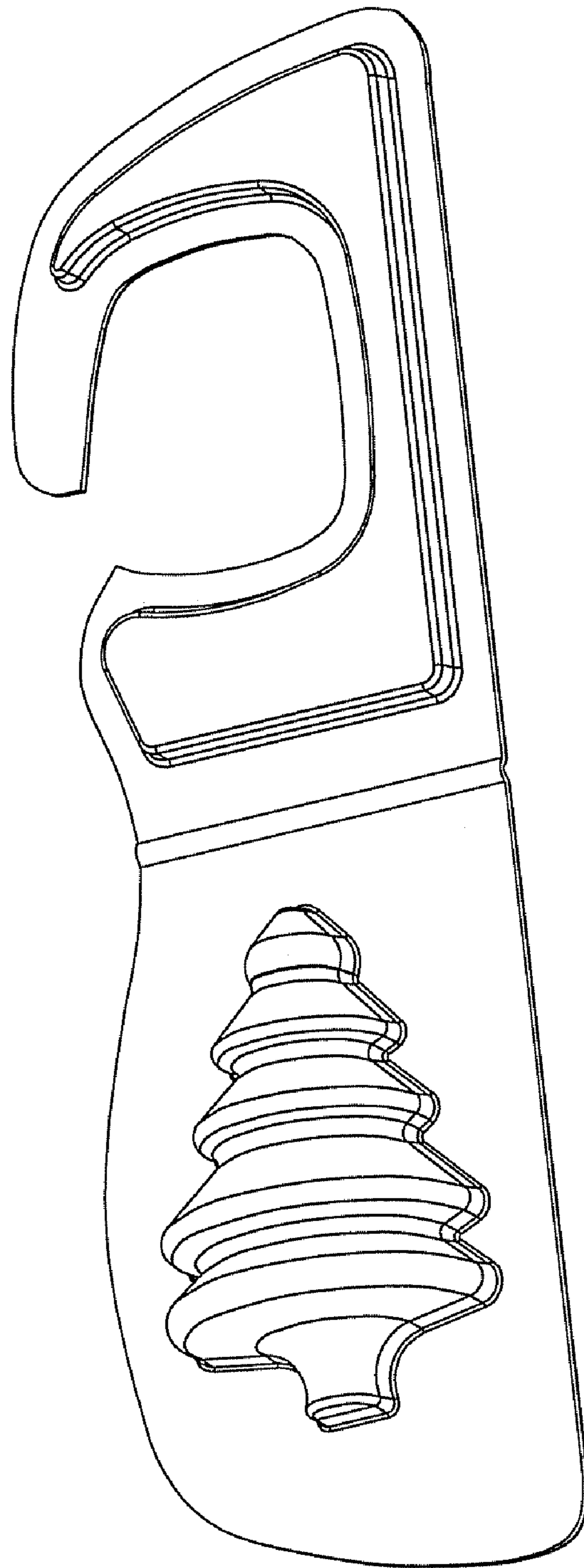


FIG. 1

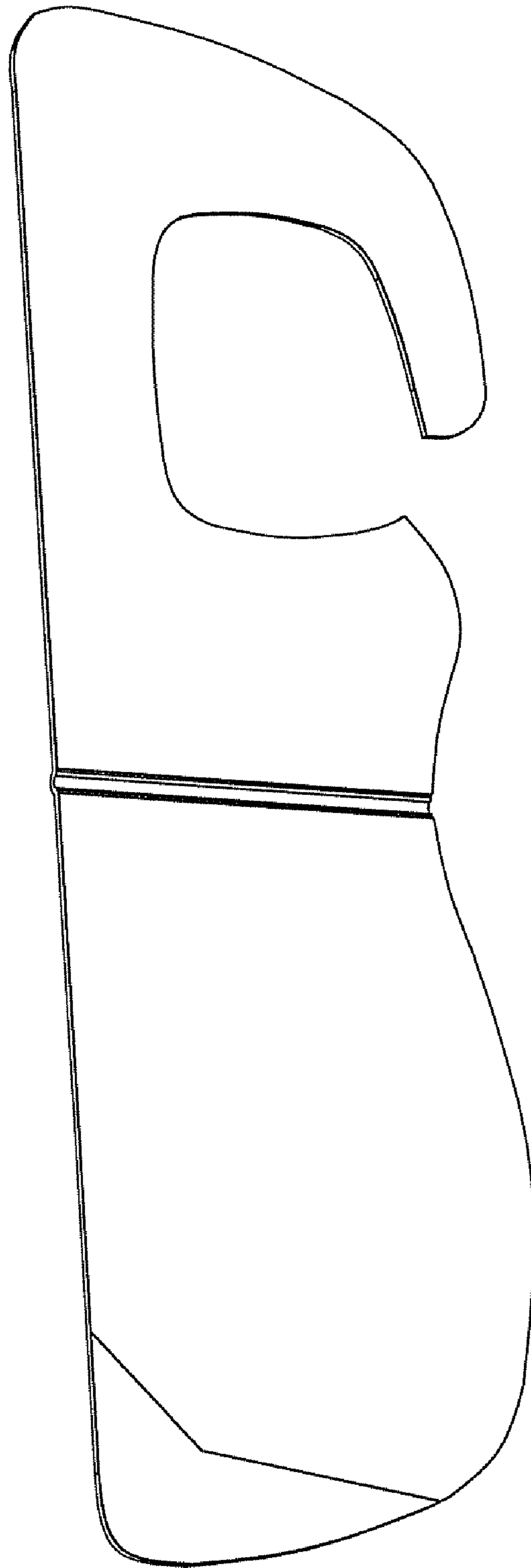


FIG. 2

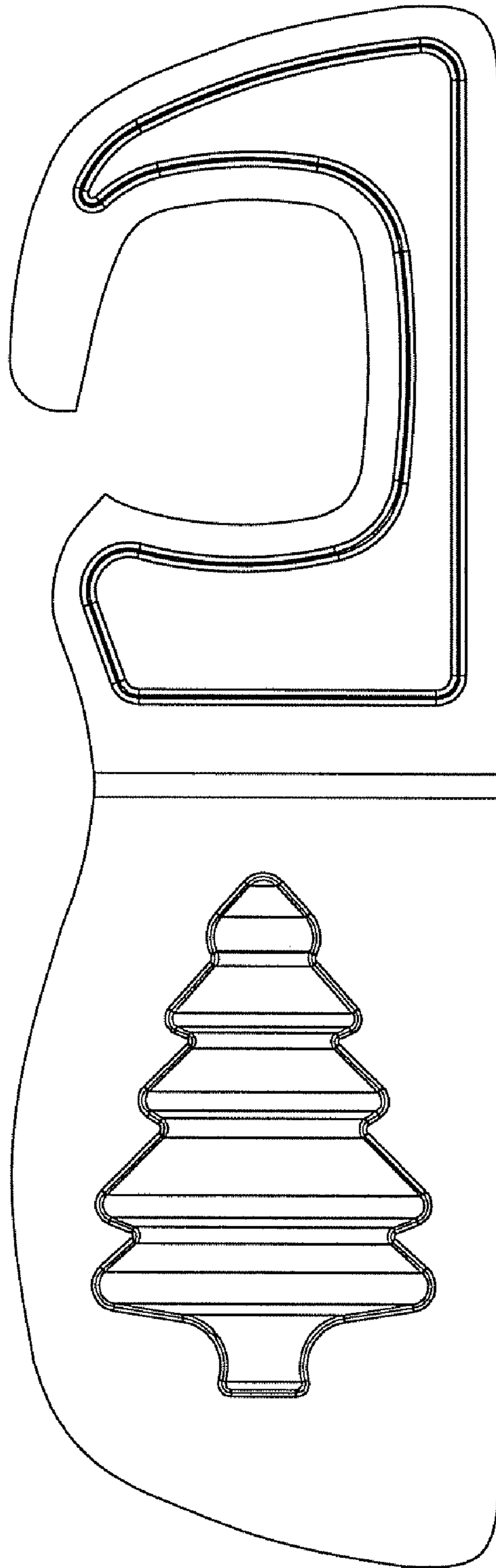


FIG. 3

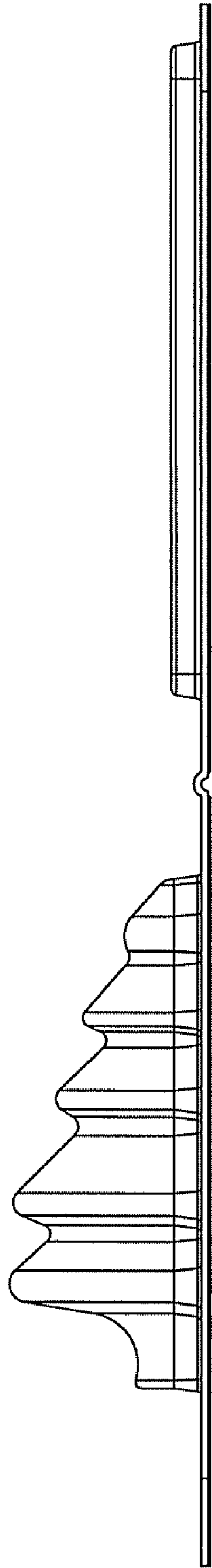


FIG. 4

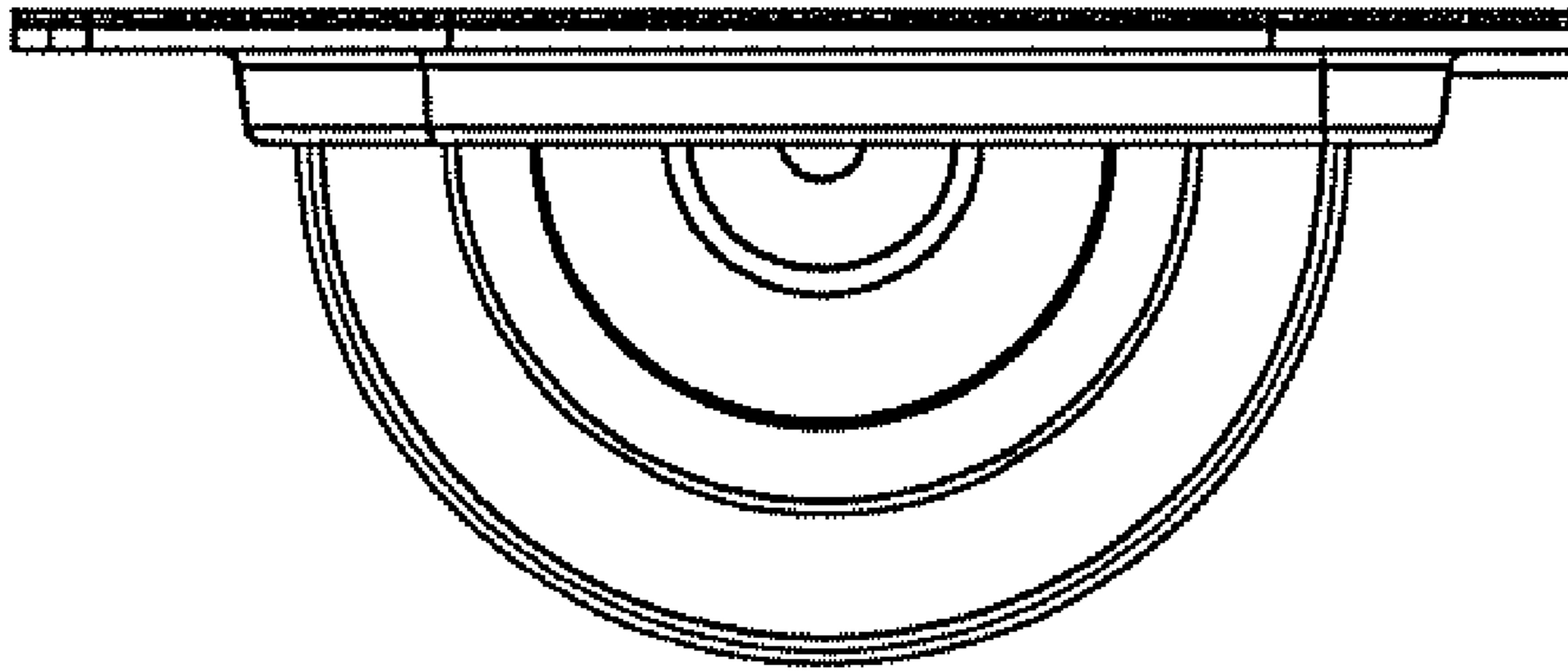


FIG. 5

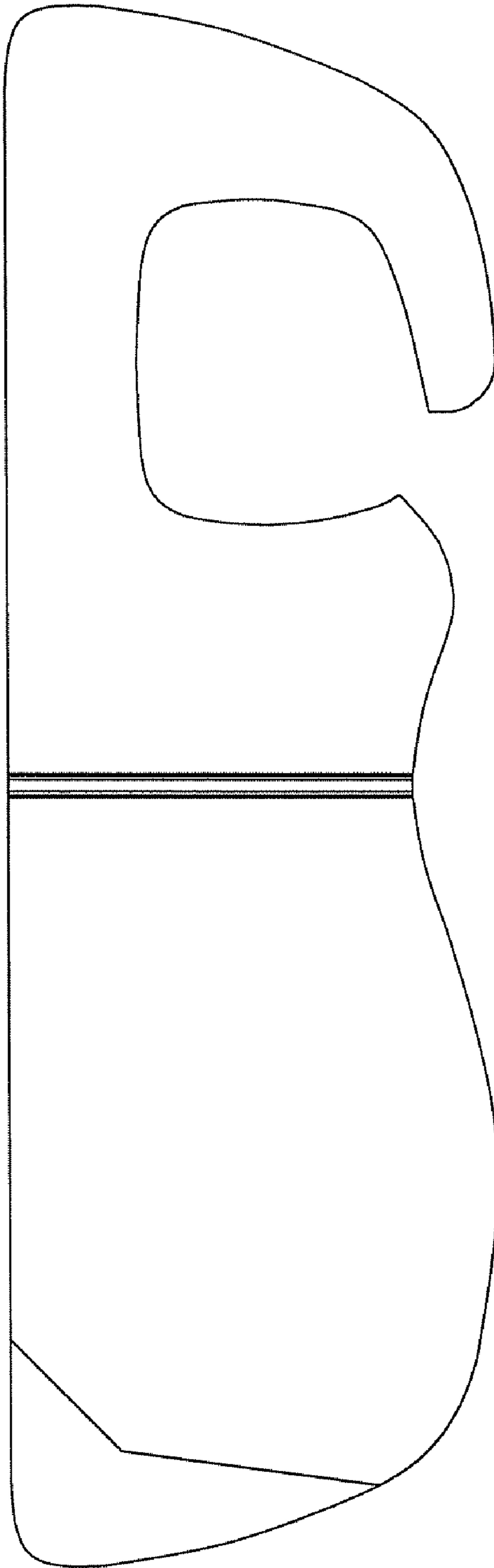


FIG. 6

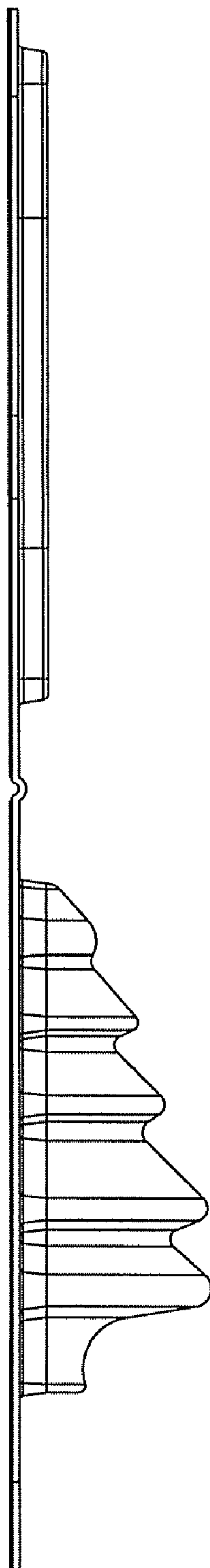


FIG. 7

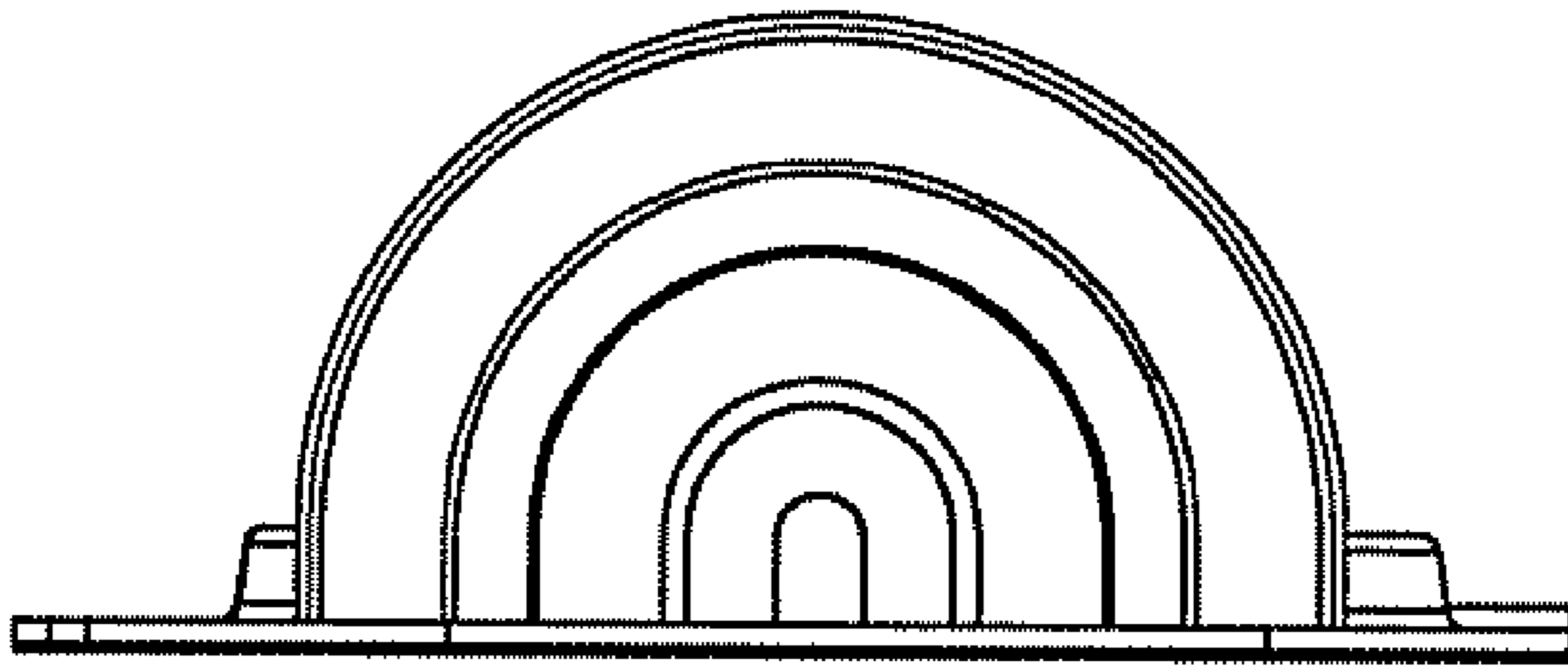


FIG. 8