



US00D578198S

(12) **United States Design Patent**
Speirs

(10) **Patent No.:** **US D578,198 S**
(45) **Date of Patent:** **** Oct. 7, 2008**

(54) **CEILING-FAN-BLADE-MOUNTED AIR FRESHENER DEVICE**

(76) Inventor: **Jessica E Speirs**, 1603 Rodman St., Hollywood, FL (US) 33020

(**) Term: **14 Years**

(21) Appl. No.: **29/297,389**

(22) Filed: **Nov. 9, 2007**

(51) **LOC (8) Cl.** **28-99**

(52) **U.S. Cl.** **D23/366**

(58) **Field of Classification Search** D23/355-396;
261/DIG. 17, DIG. 43, DIG. 65, DIG. 88,
261/DIG. 89; 239/34, 35, 53, 56, 57, 60,
239/136, 326; 392/386, 394, 395; D28/5,
D28/6

See application file for complete search history.

(56) **References Cited**

U.S. PATENT DOCUMENTS

D49,681 S *	9/1916	Walton	D23/366
D301,912 S *	6/1989	Ward	D22/125
4,944,898 A	7/1990	Glaser		
D324,910 S *	3/1992	Portis	D23/366
D334,800 S *	4/1993	Portis	D23/366
D338,519 S *	8/1993	Peterson	D23/356
D347,886 S *	6/1994	Bender	D23/366

5,775,876 A	7/1998	Walker et al.		
D411,294 S *	6/1999	Gutmann	D23/355
D435,896 S *	1/2001	Burgeson	D23/366
D437,041 S *	1/2001	Eisenbraun	D23/366
6,413,047 B1	7/2002	Green		
D474,267 S *	5/2003	Mosley, Sr.	D23/366
6,613,287 B1 *	9/2003	McElligott	422/124
D492,772 S *	7/2004	Austin	D24/110.6
D517,184 S *	3/2006	Kleiman	D23/366

* cited by examiner

Primary Examiner—Sandra Snapp

(57) **CLAIM**

The ornamental design for a ceiling-fan-blade-mounted air freshener device, as shown and described.

DESCRIPTION

FIG. 1 is a front elevation view of a ceiling-fan-blade-mounted air freshener device showing my new design;

FIG. 2 is a left elevation view thereof;

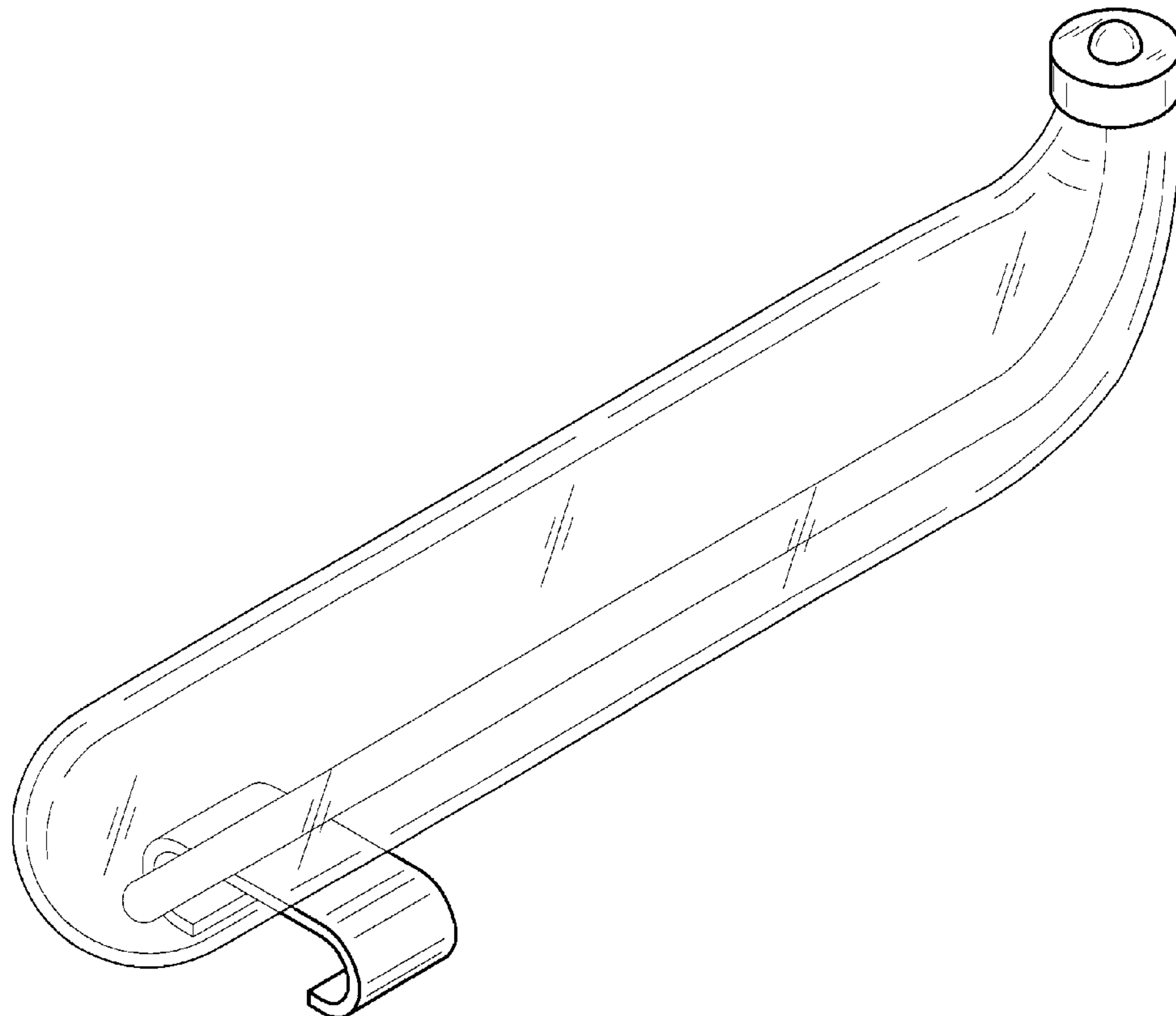
FIG. 3 is a right elevation view thereof;

FIG. 4 is a top plan view thereof;

FIG. 5 is a bottom plan view thereof; and,

FIG. 6 is an isometric view thereof.

1 Claim, 3 Drawing Sheets



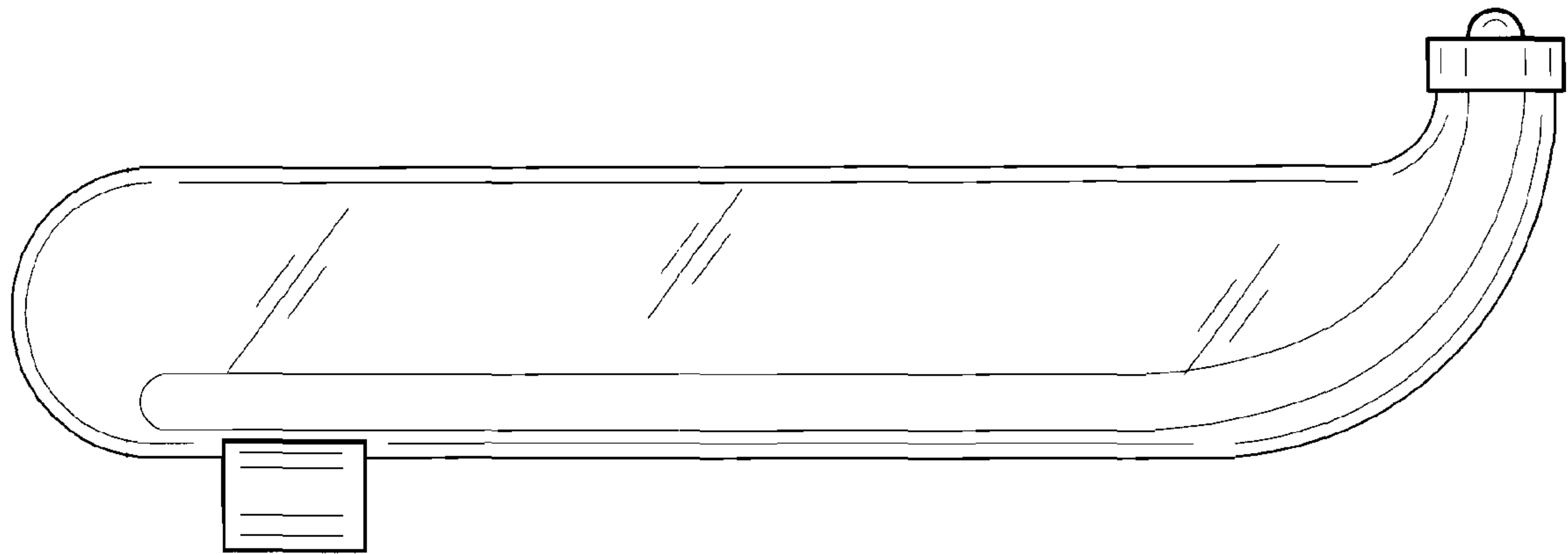


FIG. 1

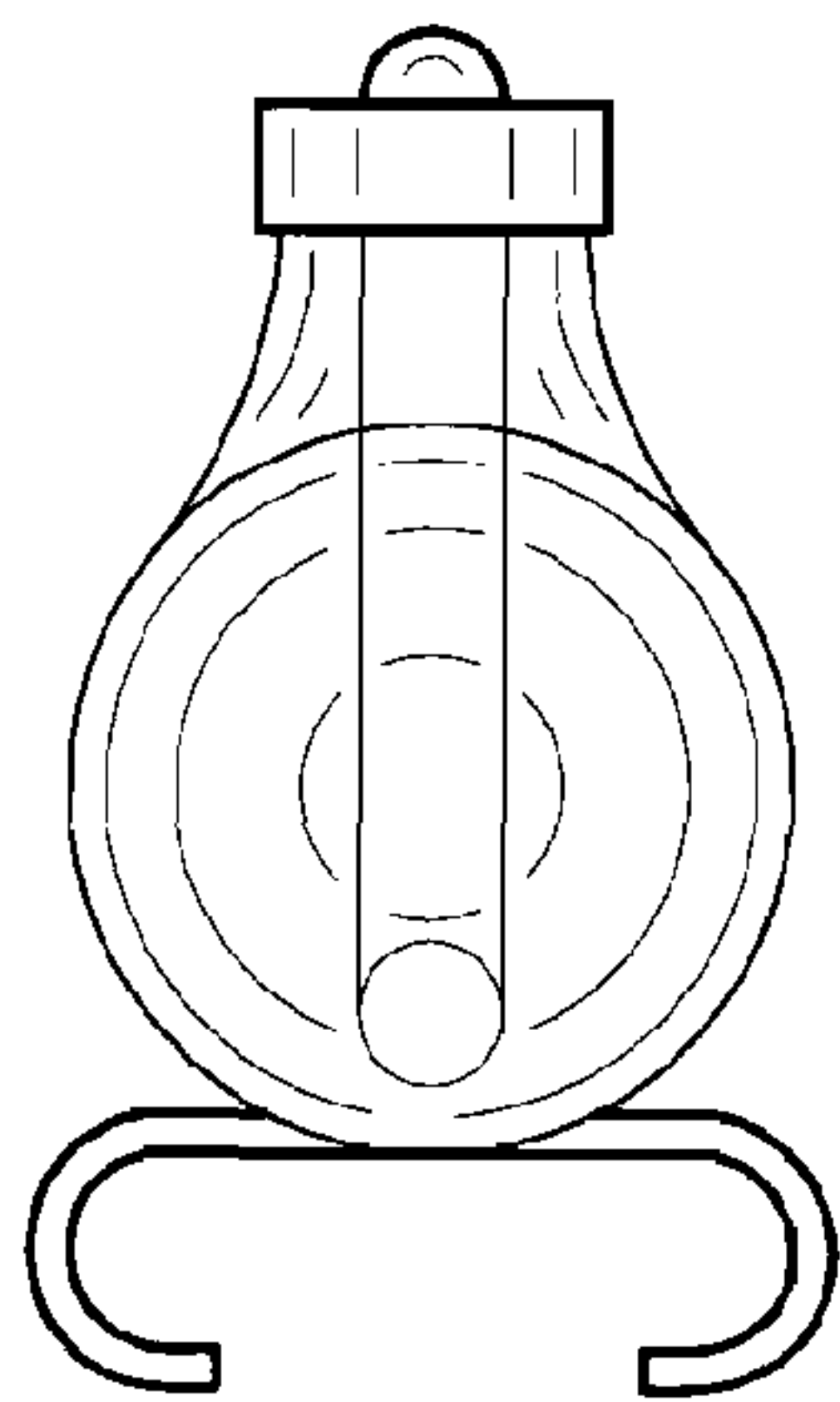


FIG. 2

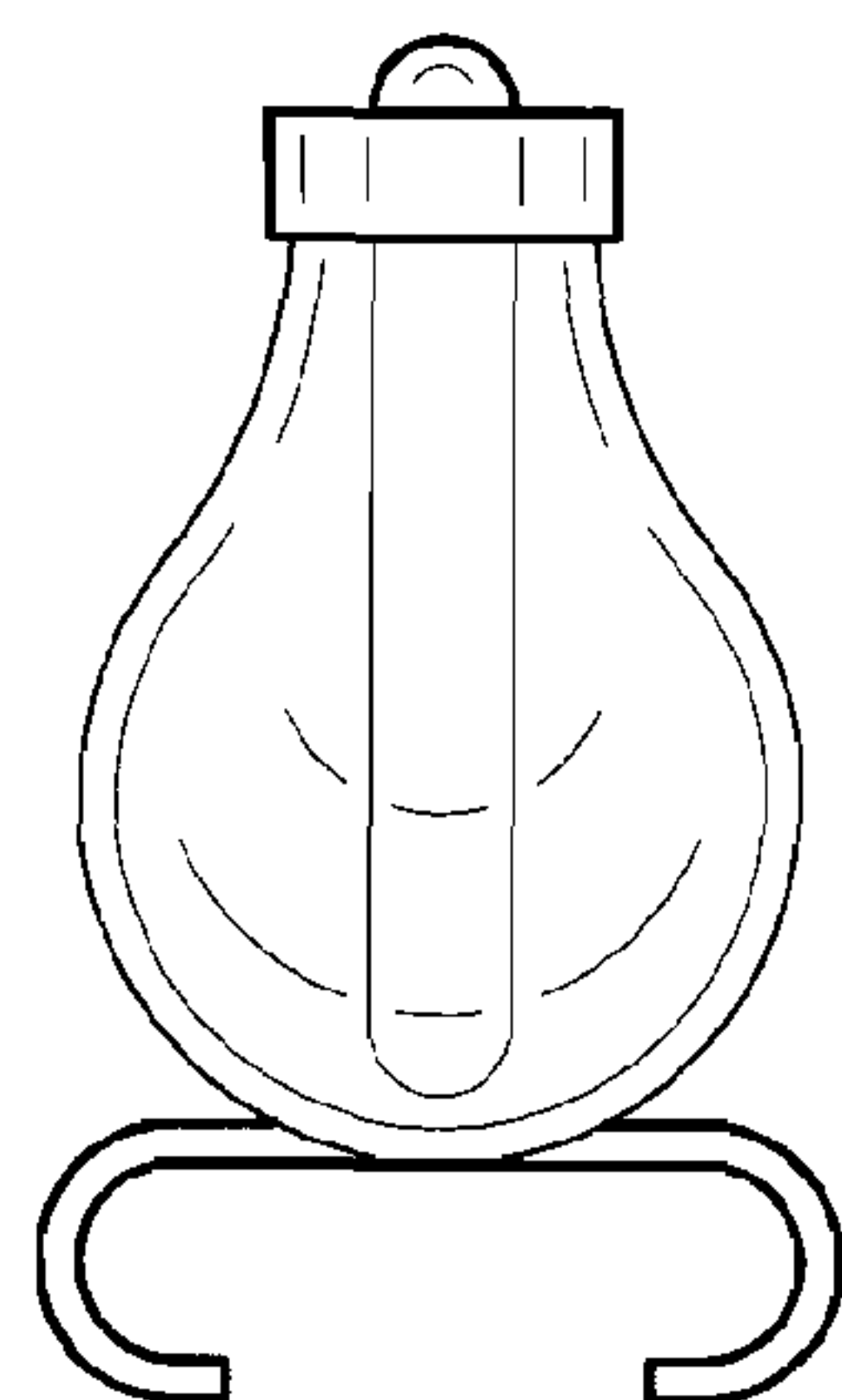


FIG. 3

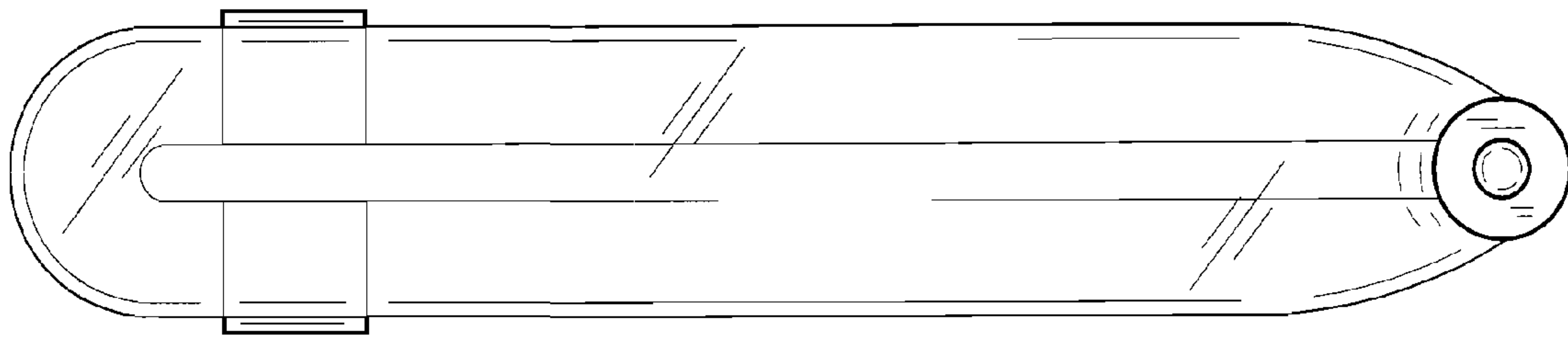


FIG. 4

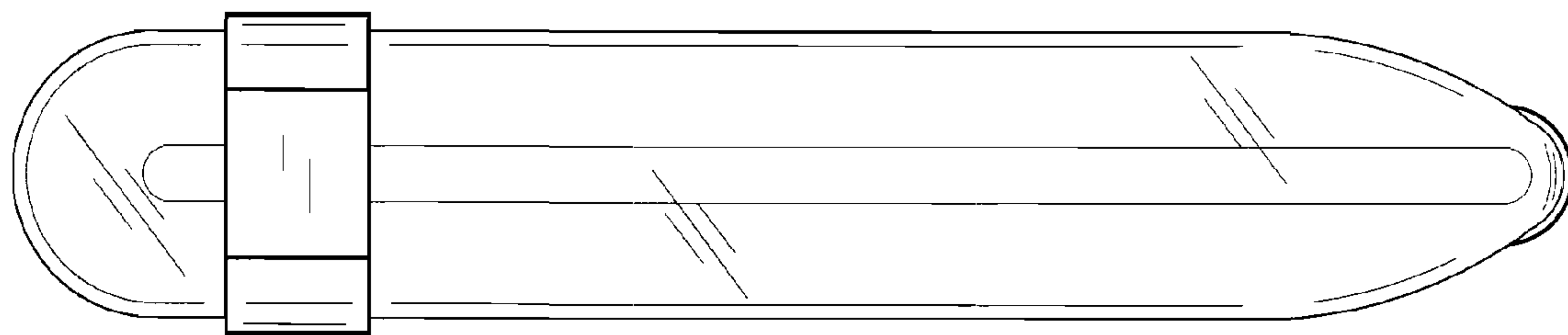


FIG. 5

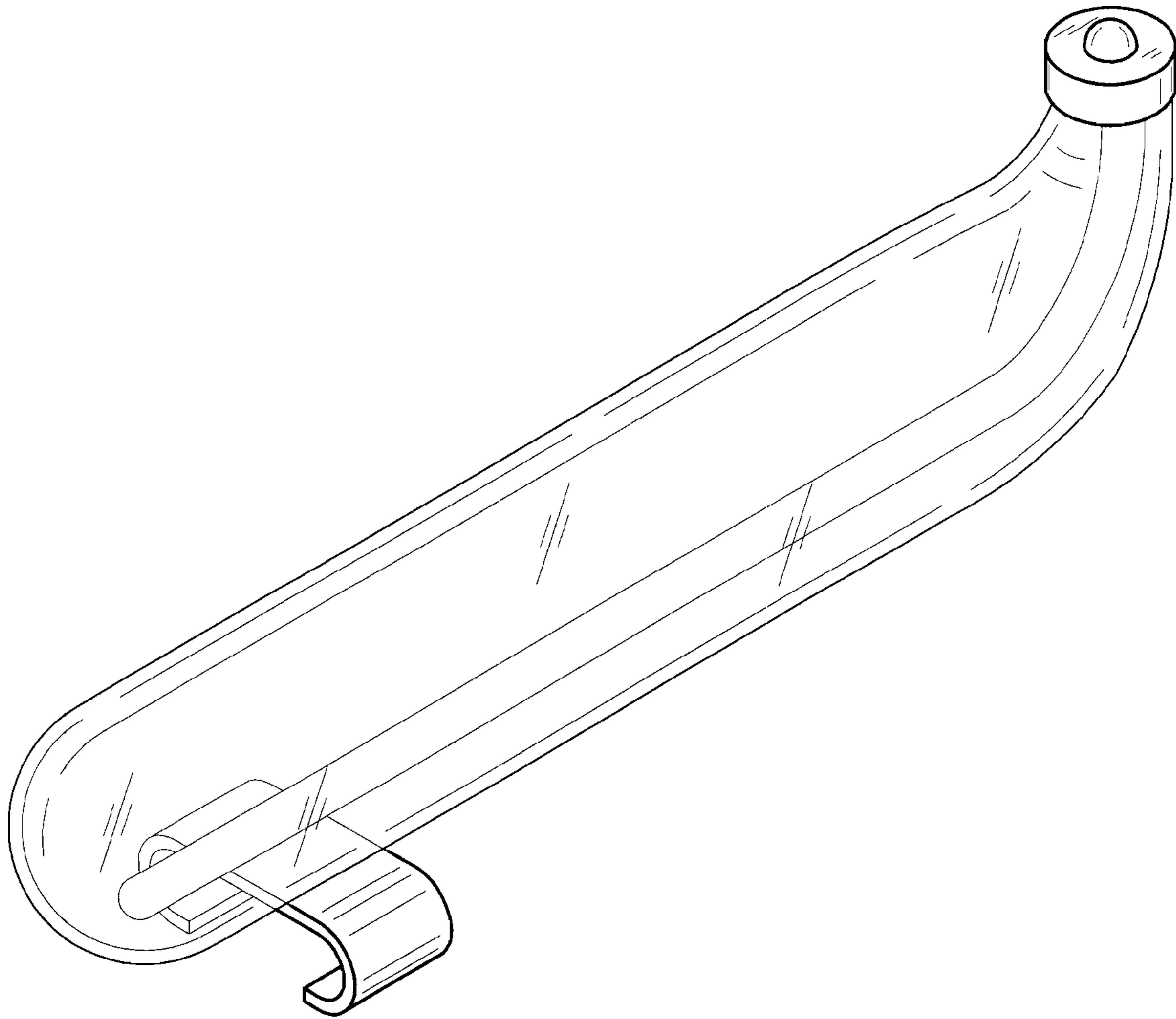


FIG. 6