



US00D578197S

(12) **United States Design Patent**  
**Spiegel**

(10) **Patent No.:** **US D578,197 S**

(45) **Date of Patent:** **\*\* Oct. 7, 2008**

(54) **AIR PURIFIER**

(75) Inventor: **Peter Spiegel**, Lake Balboa, CA (US)

(73) Assignee: **Sylmark Holdings Limited** (IE)

(\*\*) Term: **14 Years**

(21) Appl. No.: **29/305,226**

(22) Filed: **Mar. 14, 2008**

(51) **LOC (8) Cl.** ..... **23-04**

(52) **U.S. Cl.** ..... **D23/364**

(58) **Field of Classification Search** ..... D23/364,  
D23/355, 356, 359, 360, 362, 352, 366, 369,  
D23/332, 333, 335, 336, 342, 351; 422/120,  
422/122; 55/356, 473, 504; 96/97; D14/188,  
D14/170, 172; 261/DIG. 17, DIG. 65, DIG. 88,  
261/DIG. 31

See application file for complete search history.

(56) **References Cited**

**U.S. PATENT DOCUMENTS**

D402,022 S	*	12/1998	Termeer et al.	.....	D23/364
D414,253 S	*	9/1999	Kobayashi et al.	.....	D23/351
D430,928 S	*	9/2000	Lafond et al.	.....	D23/364
D431,074 S	*	9/2000	Deros	.....	D23/364
D433,493 S	*	11/2000	Runyan et al.	.....	D23/364
D442,270 S	*	5/2001	Campbell et al.	.....	D23/364
D451,181 S	*	11/2001	Miwa	.....	D23/364
D451,182 S	*	11/2001	Tsuji	.....	D23/364

D492,760 S	*	7/2004	Garman	.....	D23/364
D529,161 S	*	9/2006	De'Longhi	.....	D23/364
D543,611 S	*	5/2007	Tateishi	.....	D23/335
D544,081 S	*	6/2007	Fuji	.....	D23/364
D553,229 S	*	10/2007	Song et al.	.....	D23/359

\* cited by examiner

*Primary Examiner*—Caron D. Veynar

*Assistant Examiner*—David G Muller

(74) *Attorney, Agent, or Firm*—Kathy Mojibi Kavcioglu

(57) **CLAIM**

The ornamental design for an air purifier, as shown and described.

**DESCRIPTION**

FIG. 1 is a perspective view of a preferred embodiment of the air purifier of the present invention;

FIG. 2 is a front view thereof;

FIG. 3 is a right side view thereof;

FIG. 4 is a left side view thereof;

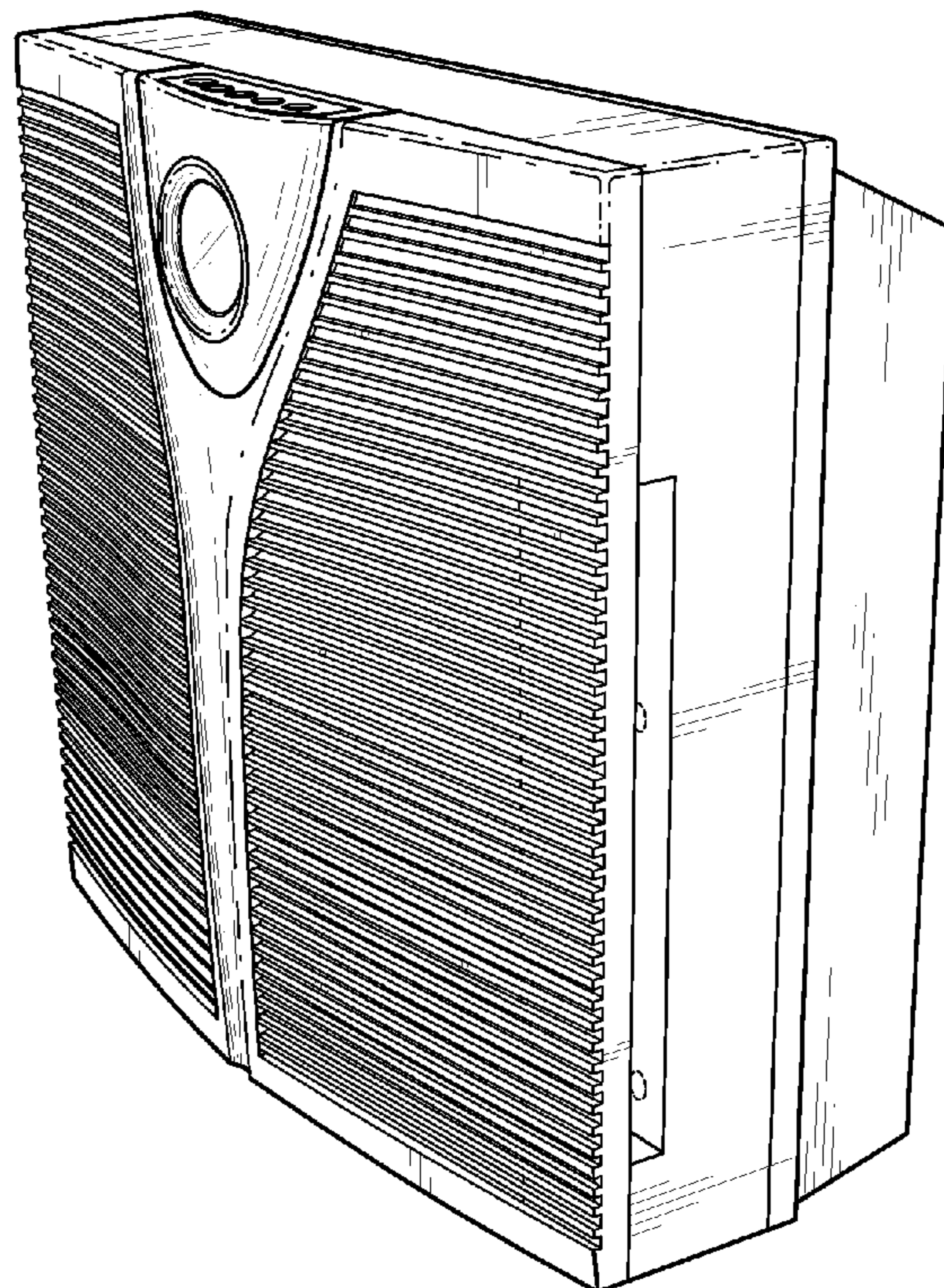
FIG. 5 is a rear view thereof;

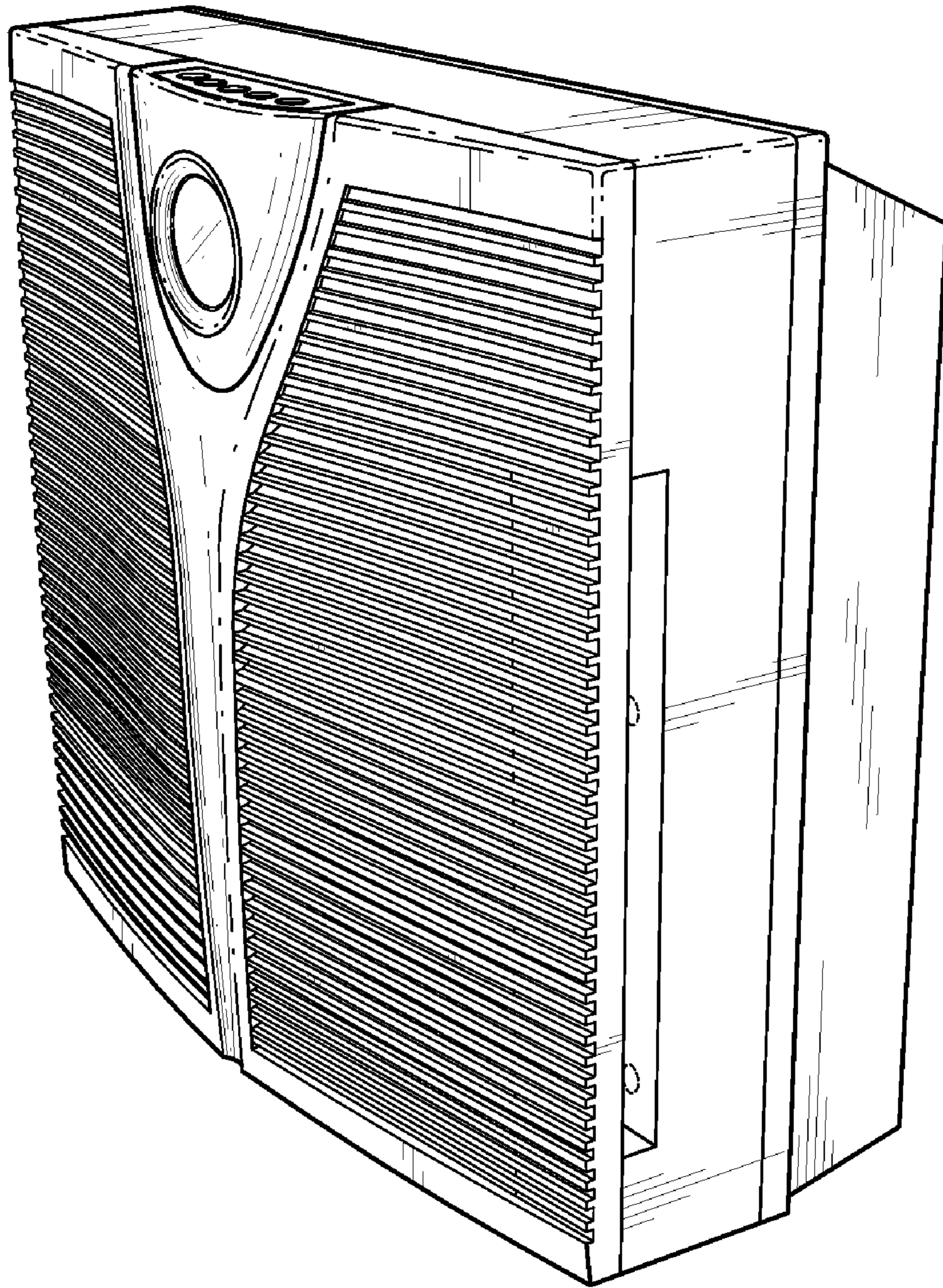
FIG. 6 is a top plan view thereof; and,

FIG. 7 is the bottom view thereof.

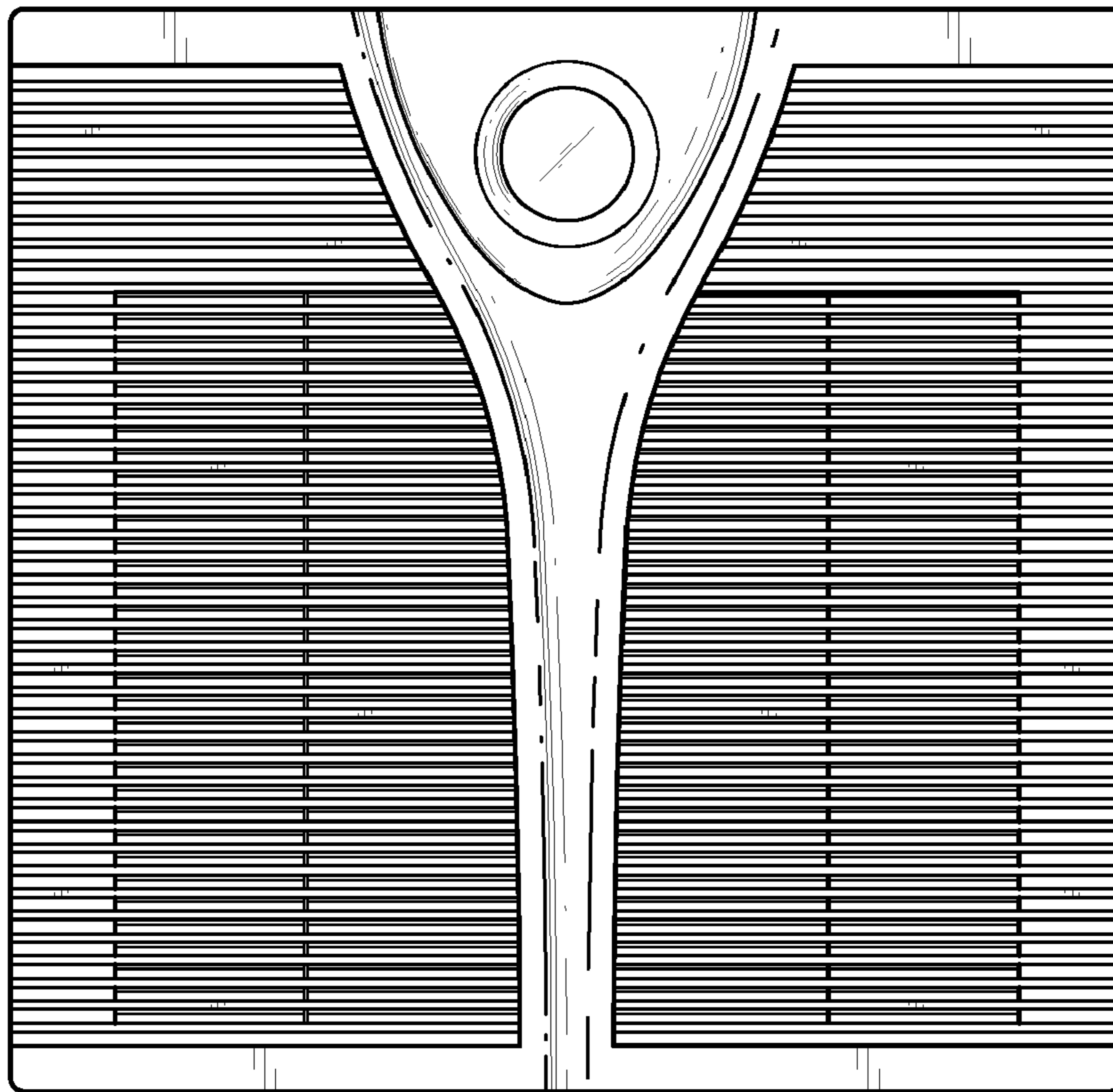
The broken line showing of parts of the drawings is included for the purpose of illustrating use and environment and forms no part of the claimed design.

**1 Claim, 6 Drawing Sheets**

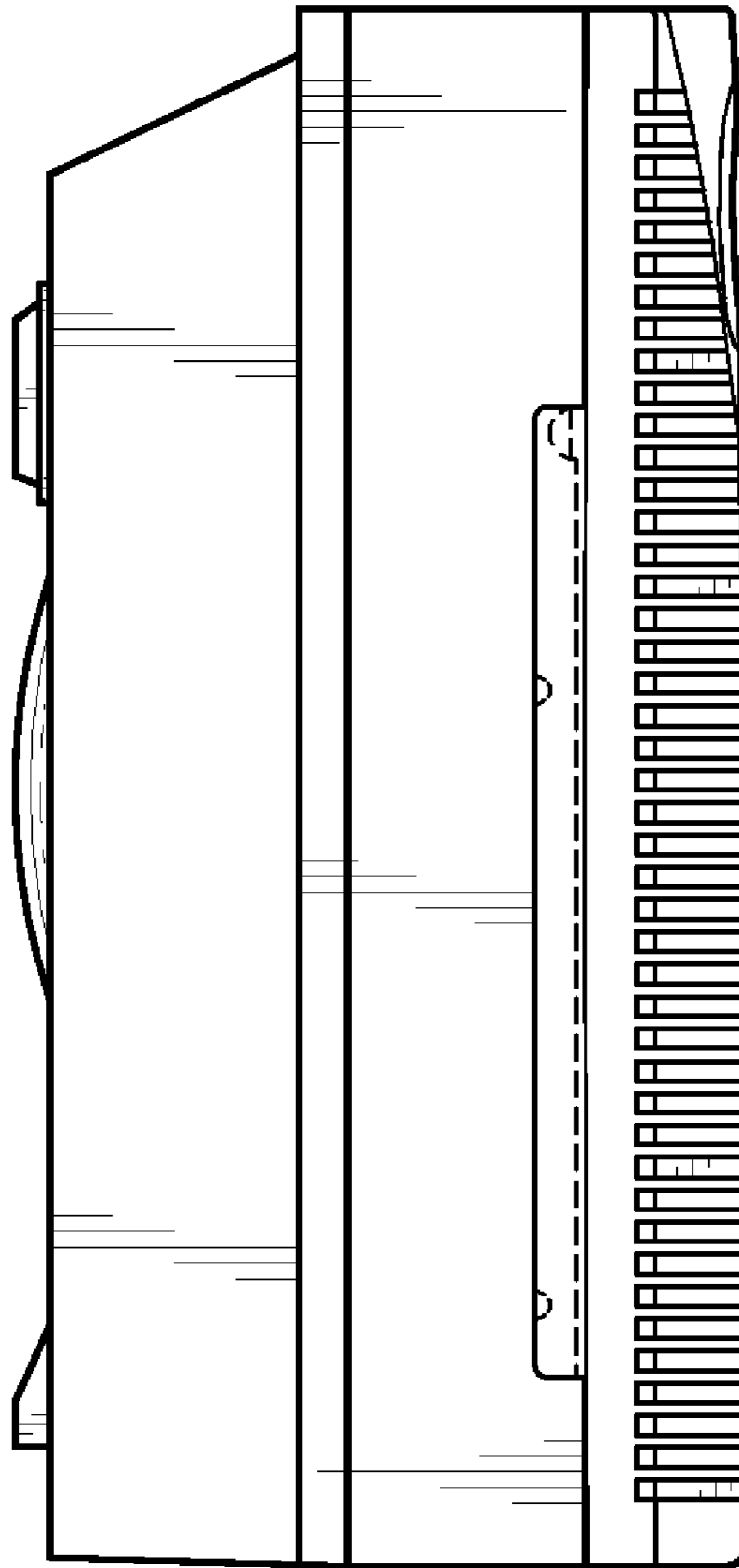




*FIG. 1*



*FIG. 2*



*FIG. 3*

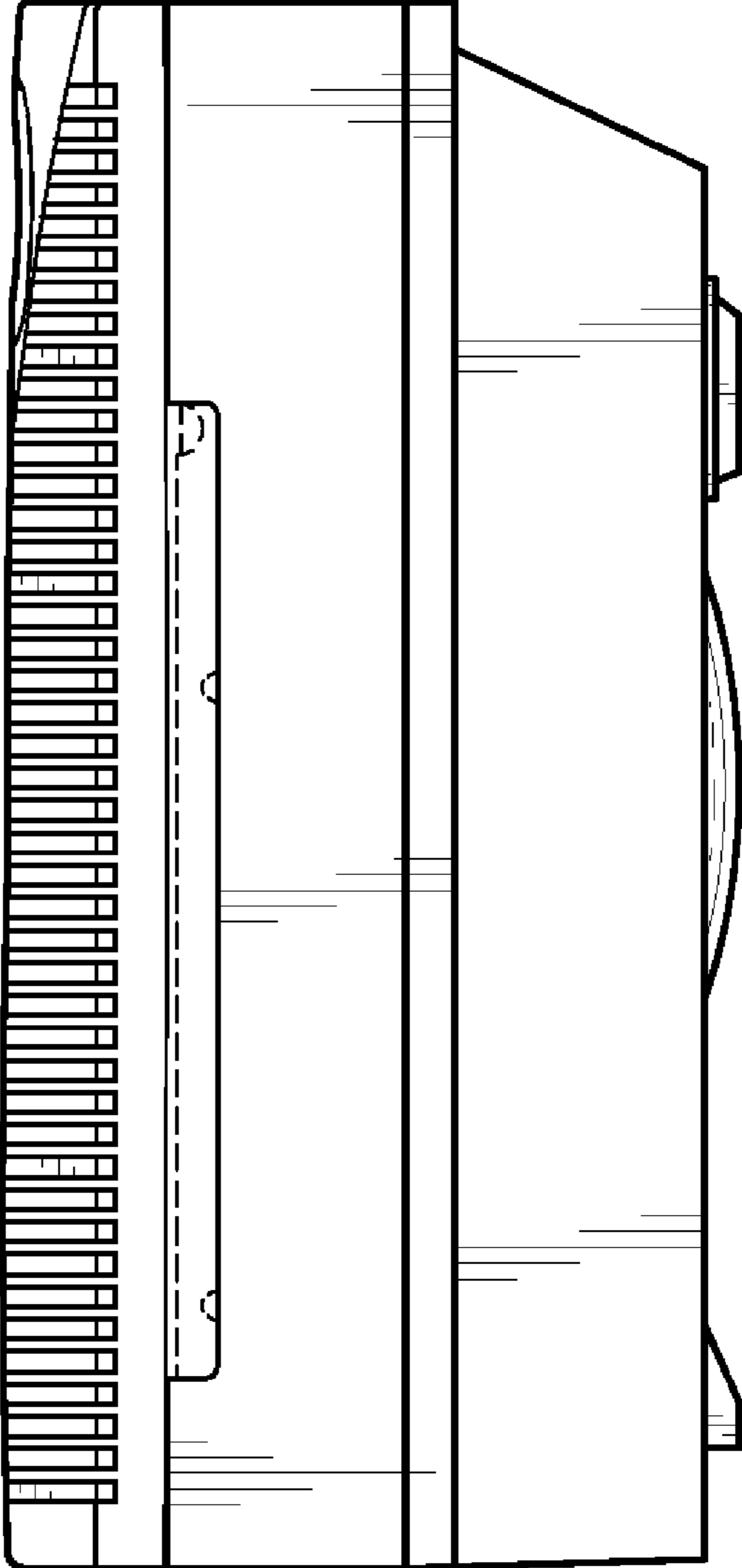


FIG. 4

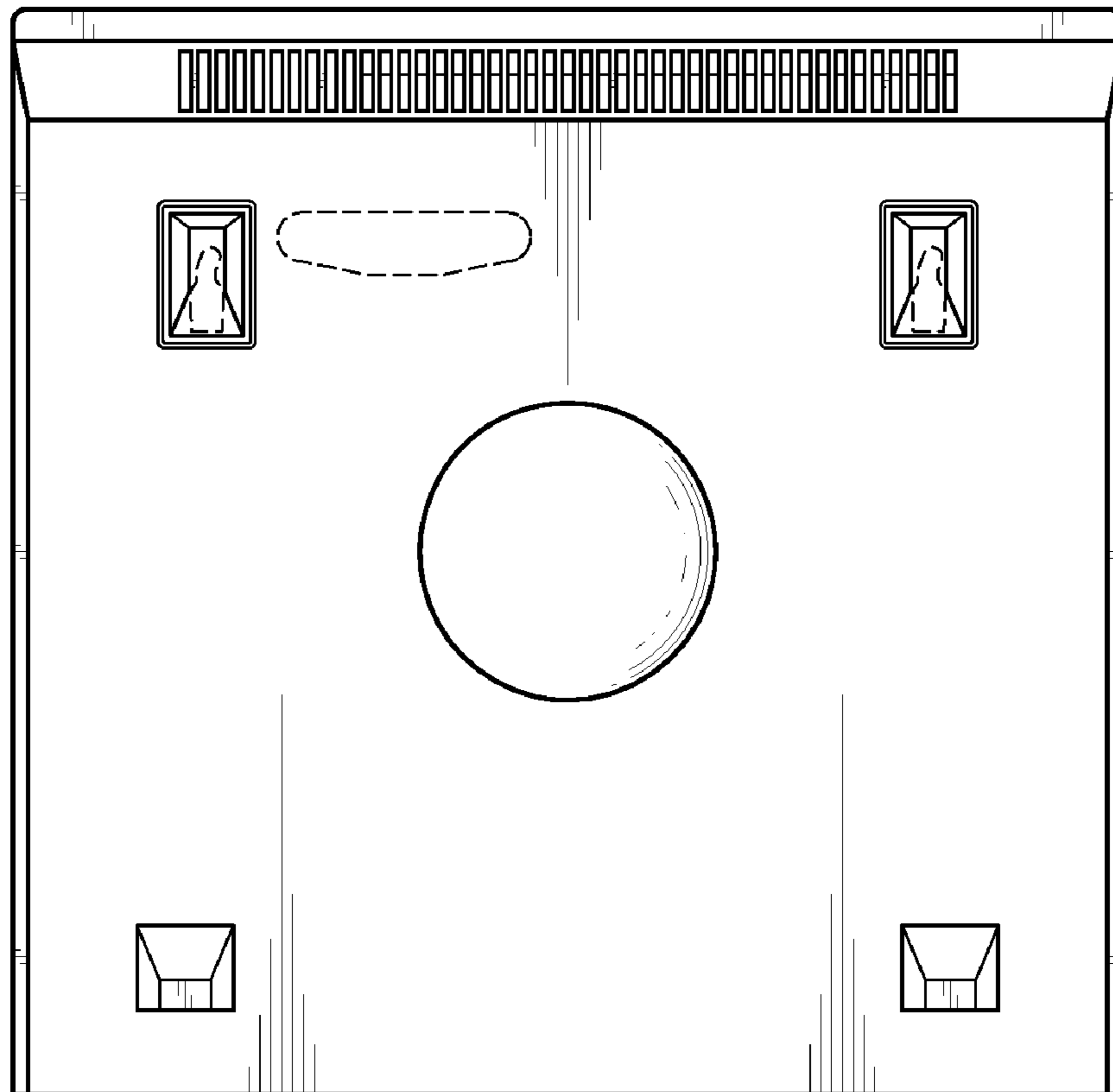
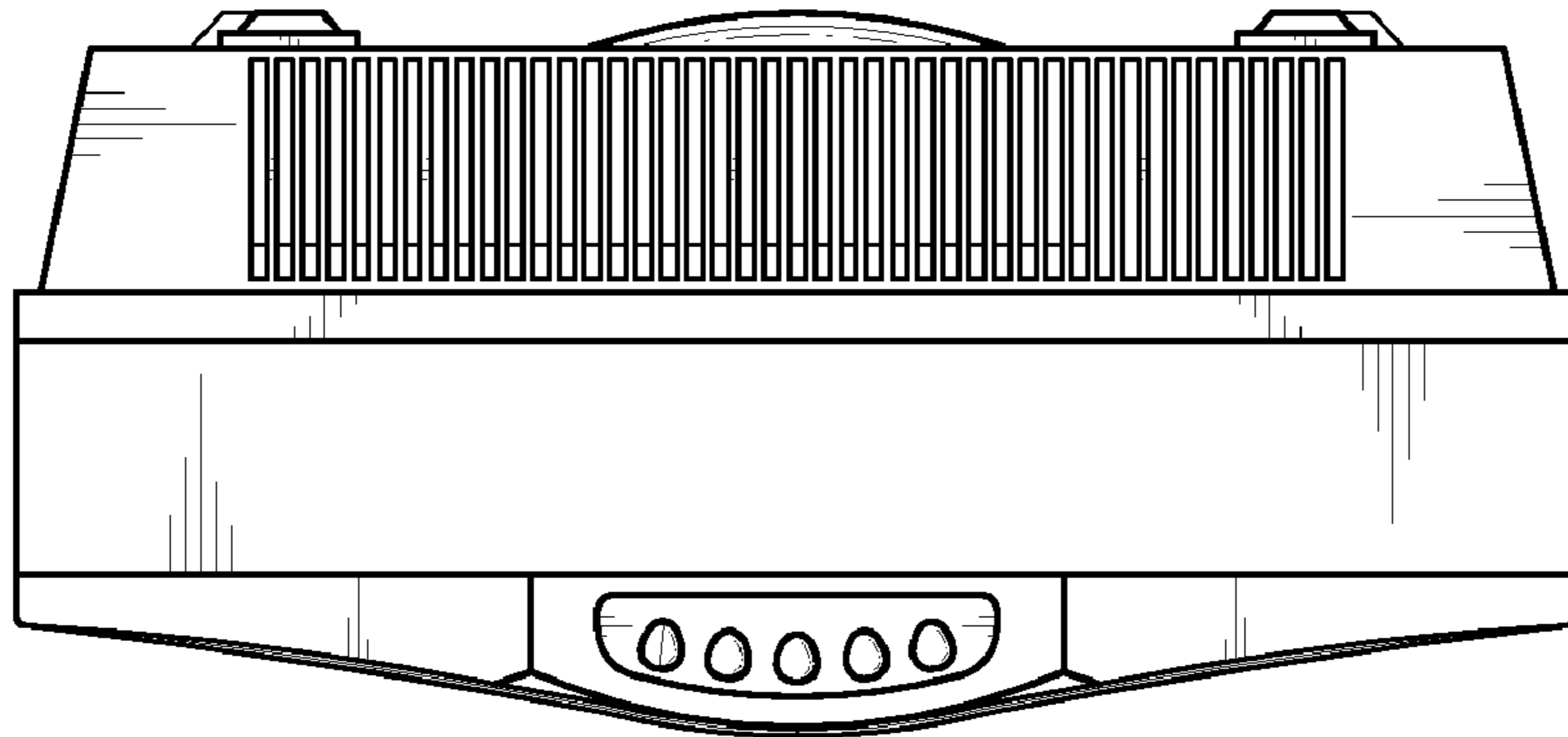
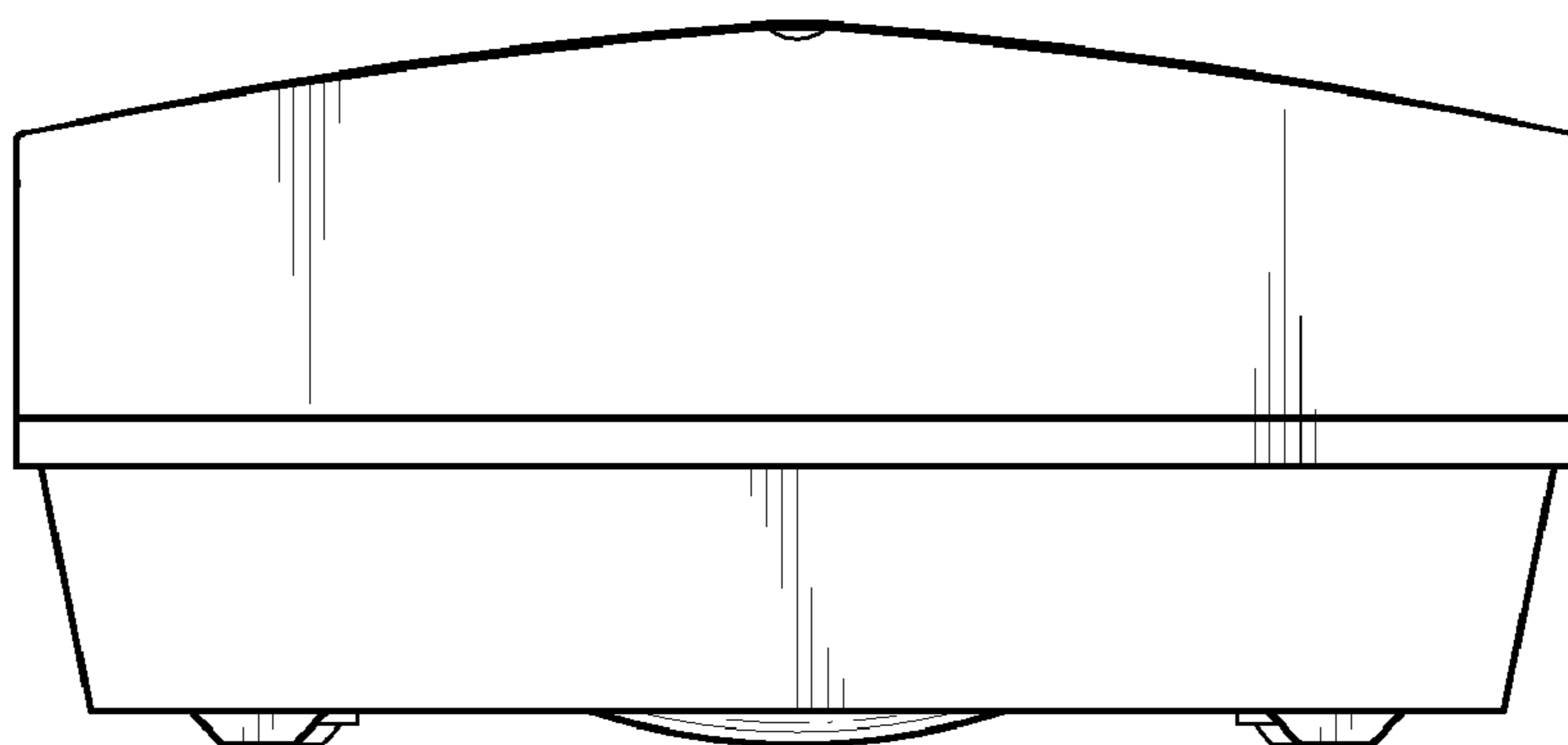


FIG. 5



*FIG. 6*



*FIG. 7*