



US00D578195S

(12) **United States Design Patent**  
**Chun et al.**

(10) **Patent No.:** **US D578,195 S**  
(45) **Date of Patent:** **\*\* Oct. 7, 2008**

(54) **AIR CONDITIONER**

(75) Inventors: **Dong Won Chun**, Kyunggi-do (KR);  
**Joo Hee Ryu**, Kyunggi-do (KR); **Su Young Jung**, Seoul (KR)

(73) Assignee: **Samsung Electronics Co., Ltd.**, Suwon (KR)

(\*\*) Term: **14 Years**

(21) Appl. No.: **29/301,879**

(22) Filed: **Mar. 20, 2008**

(51) **LOC (8) Cl.** ..... **23-04**

(52) **U.S. Cl.** ..... **D23/351**

(58) **Field of Classification Search** ..... D23/351-354;  
312/236; 62/259.1, 259.4, 262-263, 304;  
454/330-331, 349-350

See application file for complete search history.

(56) **References Cited**

**U.S. PATENT DOCUMENTS**

D439,317 S	*	3/2001	Kobayashi	.....	D23/351
D446,292 S	*	8/2001	Asakura et al.	.....	D23/351
D448,073 S	*	9/2001	Wakasa	.....	D23/351
D449,095 S	*	10/2001	Yanagida et al.	.....	D23/351
D450,823 S	*	11/2001	Kobayashi	.....	D23/351

D451,586 S	*	12/2001	Oya et al.	.....	D23/351
D454,188 S	*	3/2002	Nonaka	.....	D23/351
D465,016 S	*	10/2002	Nanjo et al.	.....	D23/351
D487,142 S	*	2/2004	Yoo	.....	D23/351
D529,158 S	*	9/2006	Ueno et al.	.....	D23/351
D529,595 S	*	10/2006	Ueno et al.	.....	D23/351
D536,430 S	*	2/2007	Miyake et al.	.....	D23/351
D539,889 S	*	4/2007	Chooji	.....	D23/351

\* cited by examiner

*Primary Examiner*—Brian N Vinson

(74) *Attorney, Agent, or Firm*—Ladas and Parry LLP

(57) **CLAIM**

We claim the ornamental design for air conditioner, as shown.

**DESCRIPTION**

FIG. 1 is a front/right-side/top perspective view of an air conditioner showing our new design;

FIG. 2 is a front-side elevational view thereof;

FIG. 3 is a rear-side elevational view thereof;

FIG. 4 is a left-side elevational view thereof;

FIG. 5 is a right-side elevational view thereof;

FIG. 6 is a top-side elevational view thereof; and,

FIG. 7 is a bottom-side elevational view thereof.

**1 Claim, 4 Drawing Sheets**

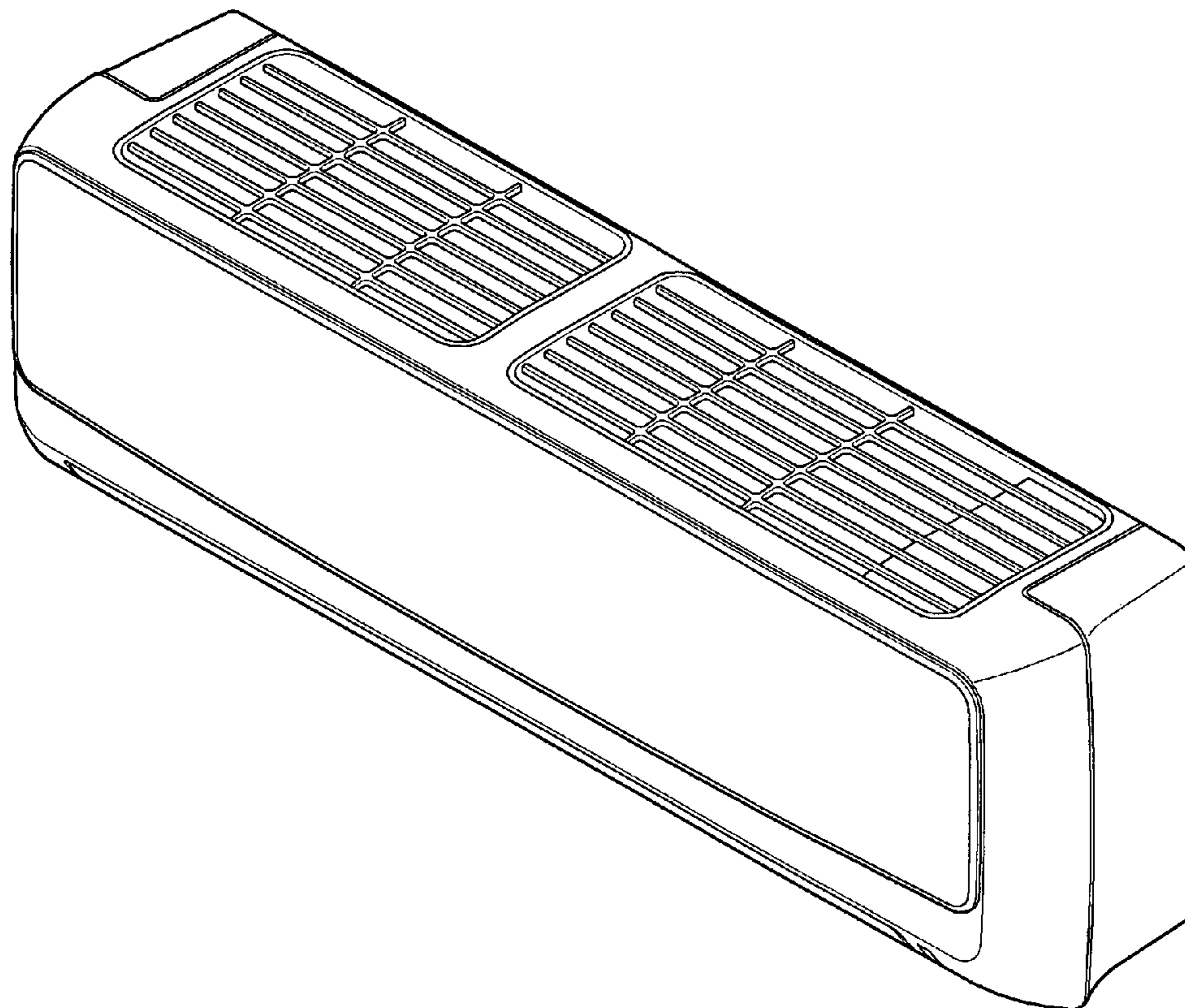


FIG. 1

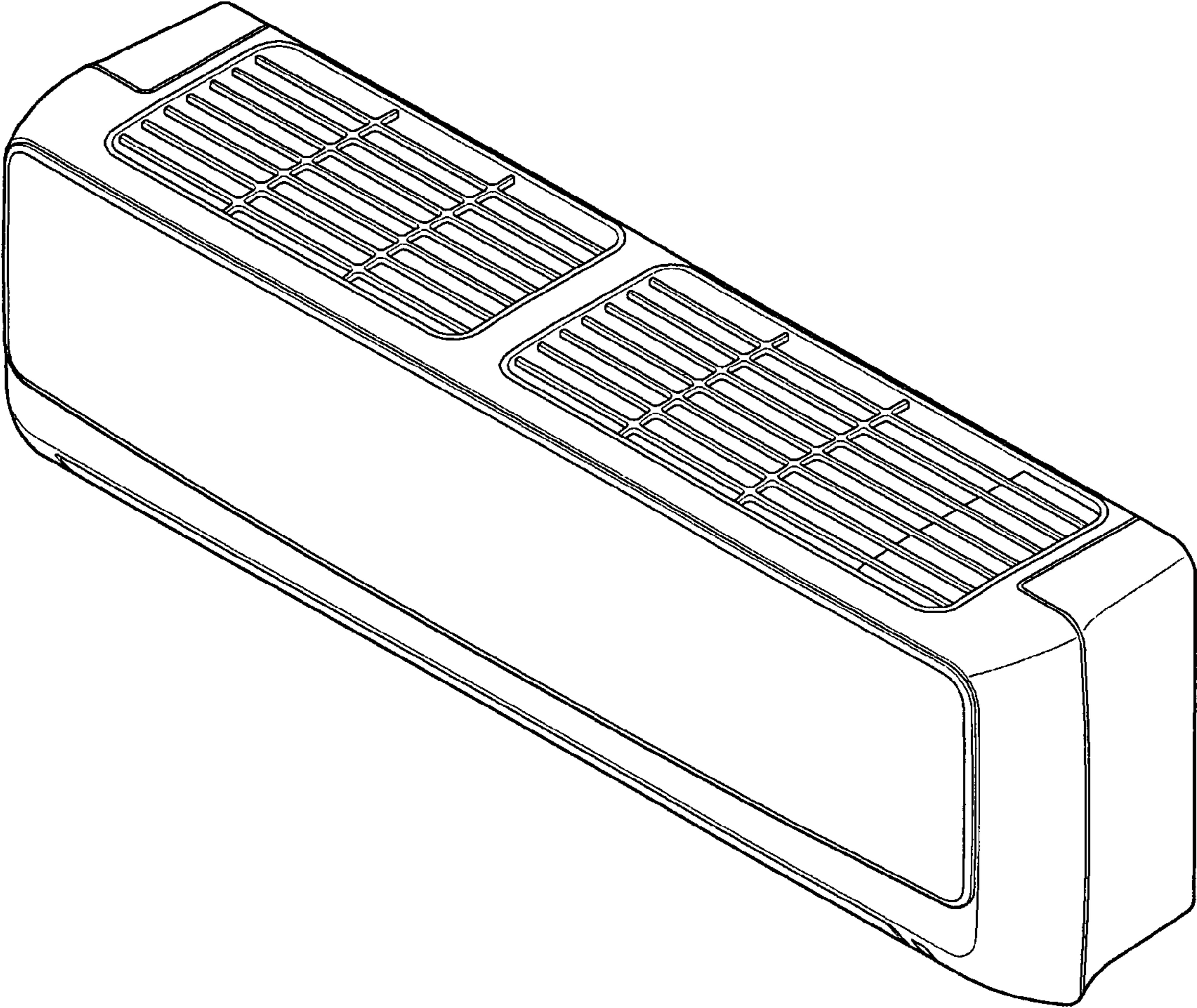


FIG. 2

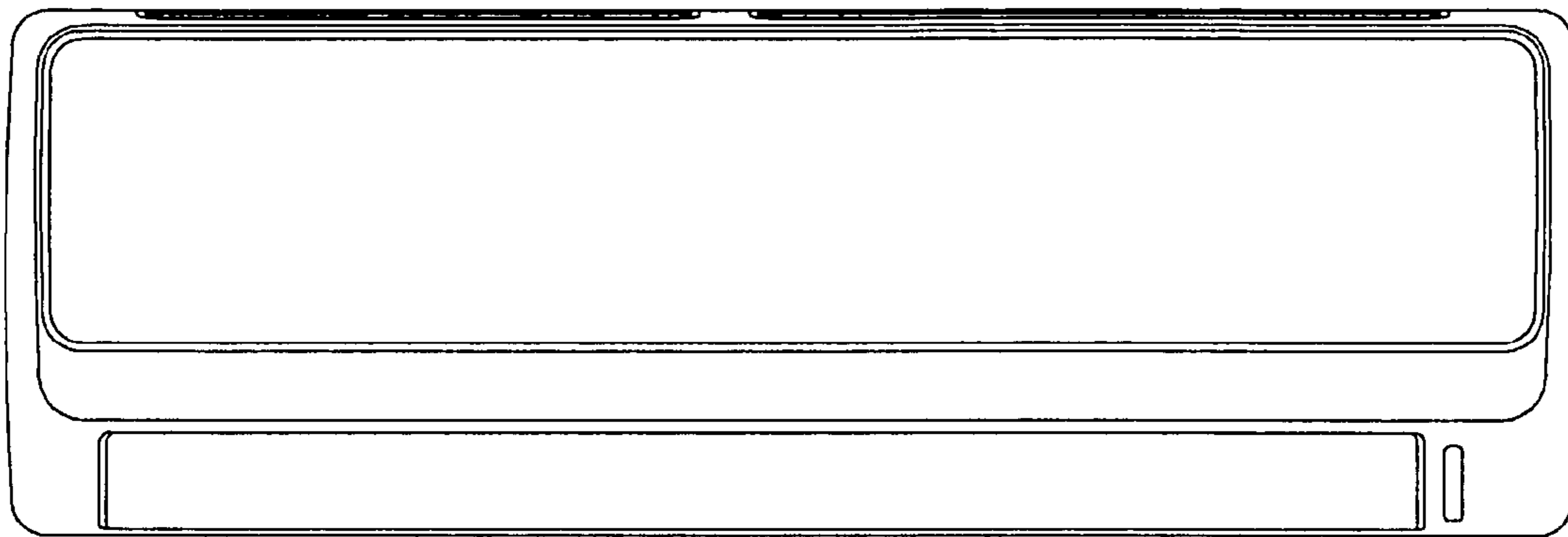
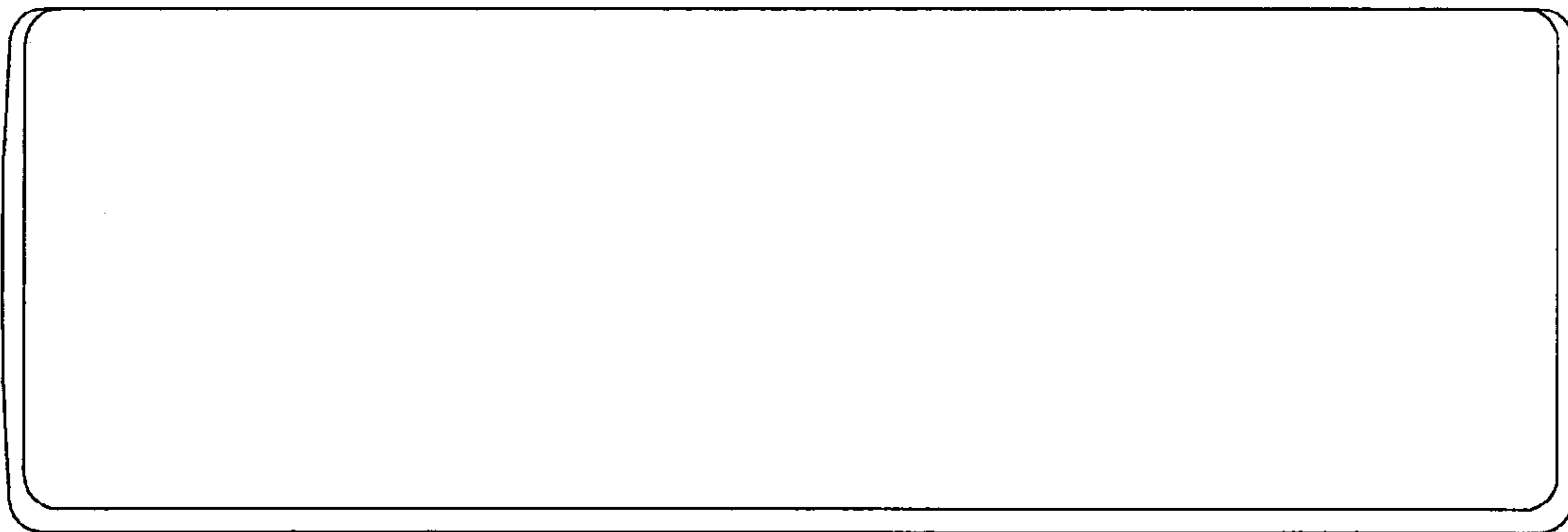
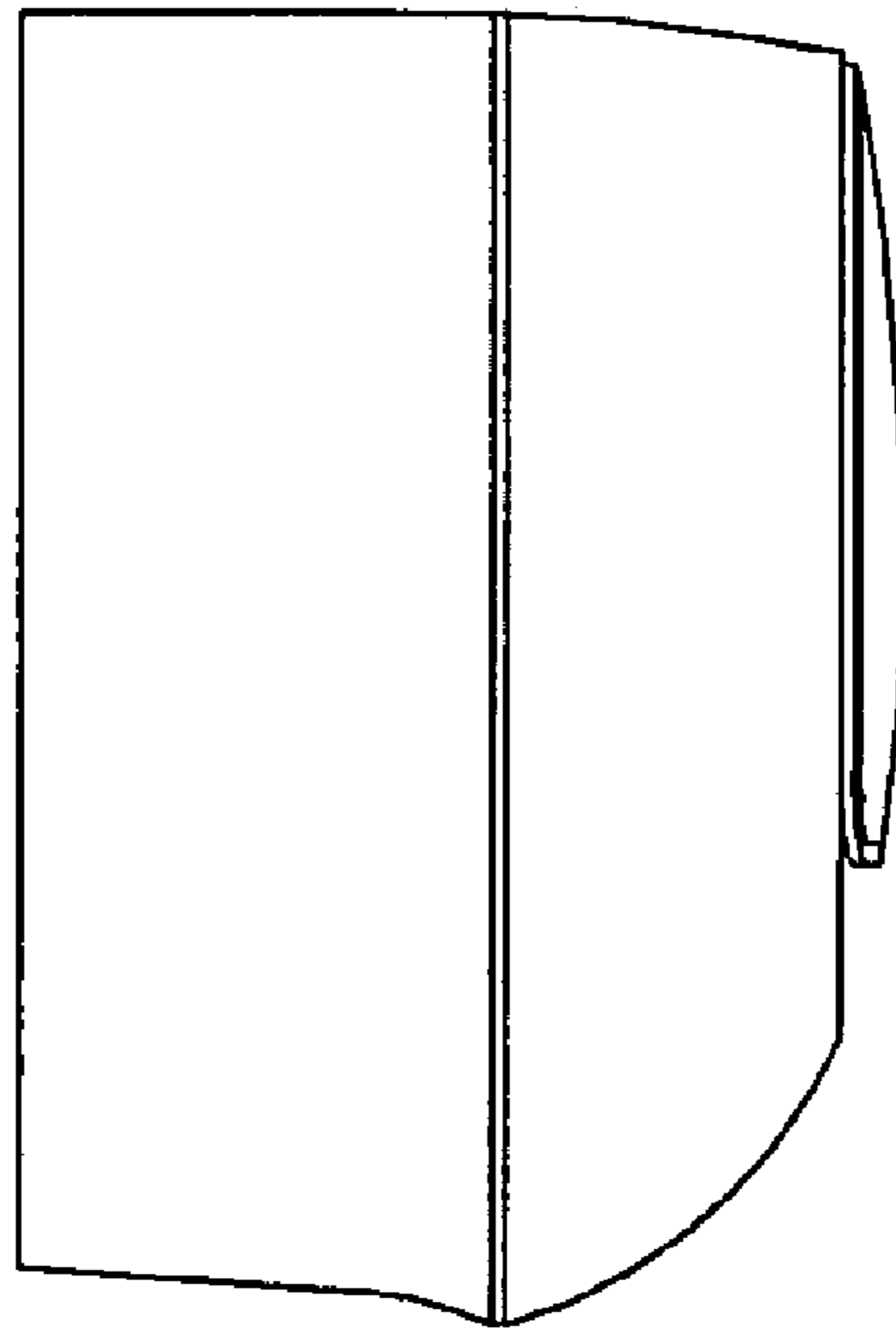


FIG. 3



**FIG. 4**



**FIG. 5**

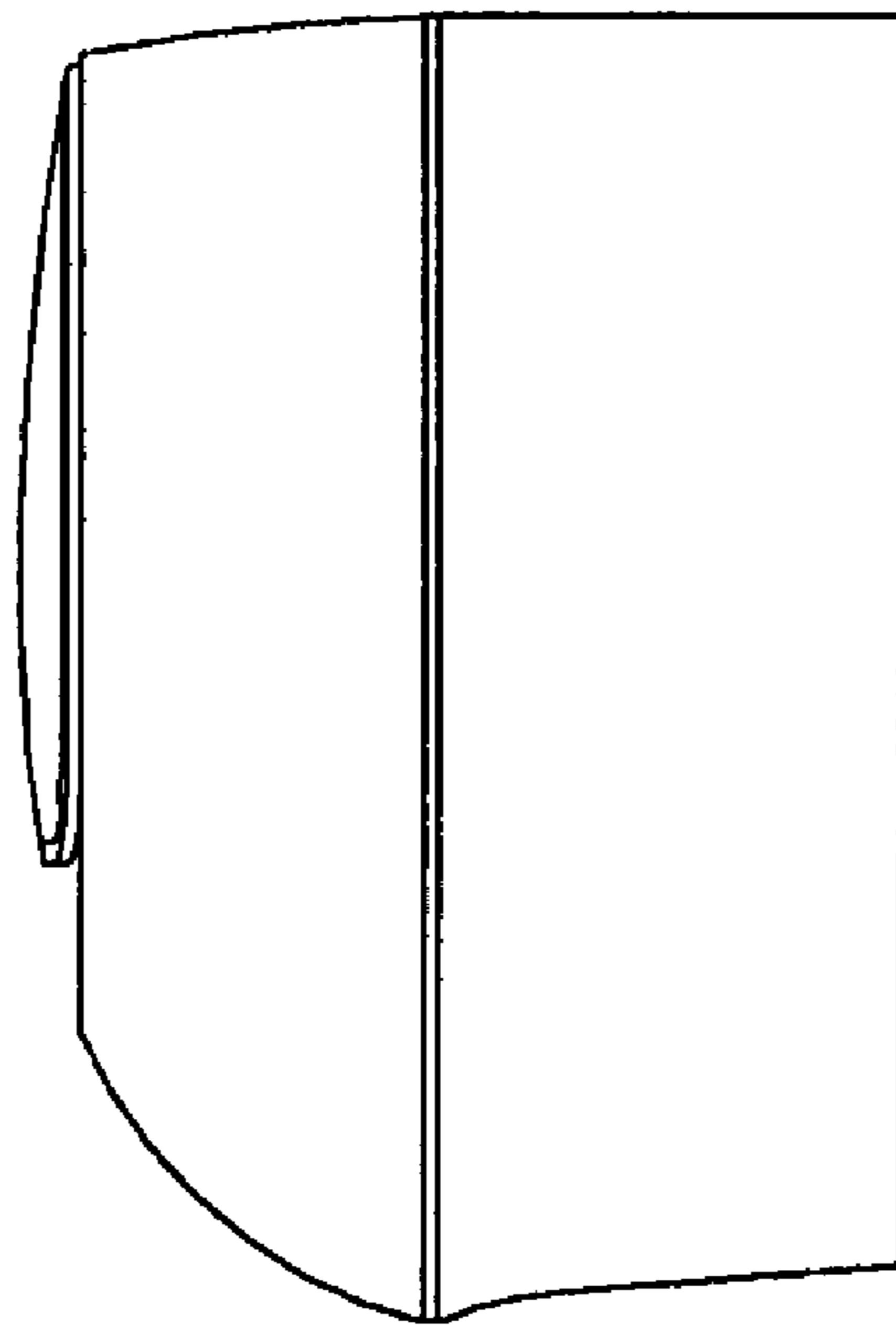


FIG. 6

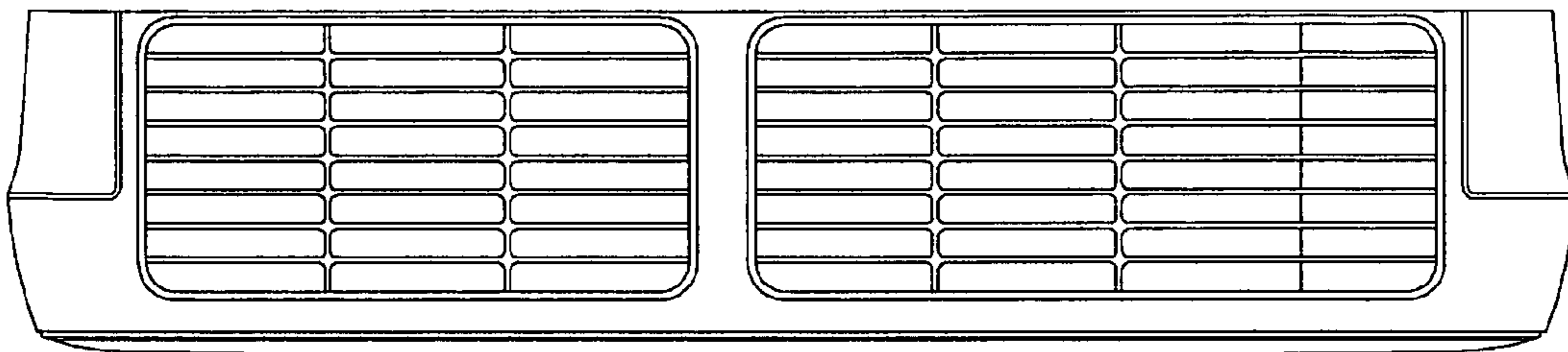


FIG. 7

