



US00D578194S

(12) **United States Design Patent**
DeFouw

(10) **Patent No.:** **US D578,194 S**
(45) **Date of Patent:** **** Oct. 7, 2008**

(54) **GAS FIREPIT**
(75) Inventor: **Douglas J. DeFouw**, Moore, SC (US)
(73) Assignee: **Agio International Company, Limited**,
East Kowloon, Hong Kong (CN)
(**) Term: **14 Years**
(21) Appl. No.: **29/288,663**
(22) Filed: **Jun. 19, 2007**

5,655,435 A 8/1997 Rachesky
5,738,084 A 4/1998 Hussong
5,960,782 A 10/1999 Clements et al.
6,024,082 A 2/2000 Straubel et al.
6,065,466 A 5/2000 Baykal
D427,298 S * 6/2000 Maust et al. D23/343
6,142,143 A 11/2000 Martin
6,196,213 B1 3/2001 Van Der Woude
6,253,760 B1 7/2001 Mashburn et al.
6,264,868 B1 7/2001 Marchant

(Continued)

(51) **LOC (8) Cl.** **23-03**
(52) **U.S. Cl.** **D23/343**
(58) **Field of Classification Search** D23/332-350;
126/25 R, 37 B, 41 R, 50, 506, 512-513,
126/519, 543, 304 R, 305-306; 264/139,
264/221; 428/34.5, 70; 431/125, 126, 253;
99/339, 340, 357
See application file for complete search history.

Primary Examiner—Louis S Zarfaz
Assistant Examiner—Eric L Goodman
(74) *Attorney, Agent, or Firm*—Williams Mullen; M. Bruce
Harper

(57) **CLAIM**

The ornamental design for a gas firepit, as shown and described.

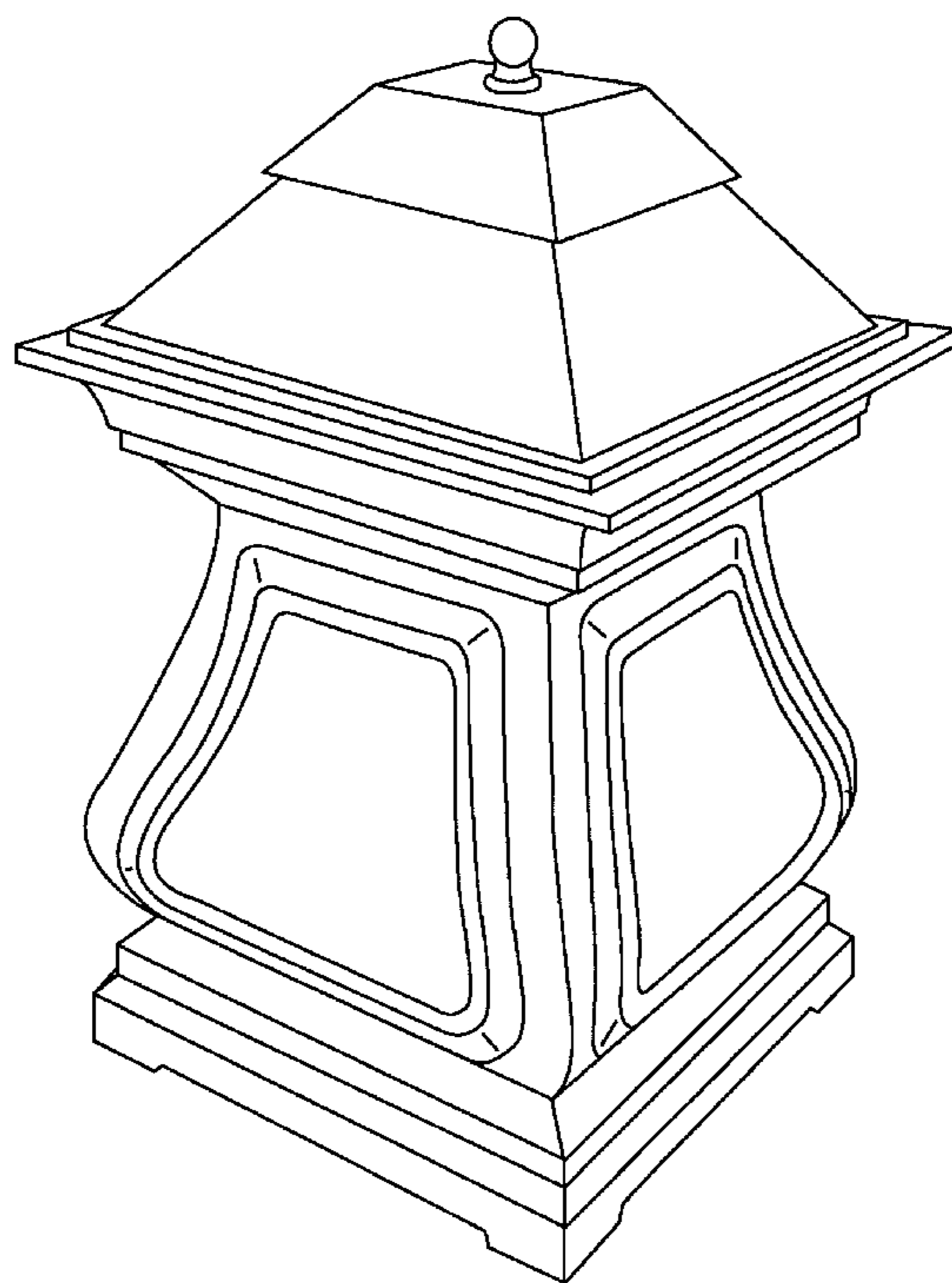
(56) **References Cited**
U.S. PATENT DOCUMENTS

3,830,217 A 8/1974 Maness et al.
4,126,719 A 11/1978 Koyanagi et al.
4,635,612 A 1/1987 Kakubari et al.
4,635,614 A 1/1987 Segroves
4,662,349 A 5/1987 McKenzie et al.
4,788,905 A 12/1988 Von Kohorn
4,840,128 A 6/1989 McFarlane et al.
5,156,140 A 10/1992 Zisman
5,168,796 A 12/1992 Porton et al.
5,183,027 A 2/1993 Saldana
5,479,916 A 1/1996 Shimek et al.

DESCRIPTION

FIG. 1 is a perspective view;
FIG. 2 is a side view;
FIG. 3 is a top view with the lid;
FIG. 4 is a bottom view;
FIG. 5 is an exploded view; and,
FIG. 6 is a top view without the lid.
The broken line showing in FIG. 5 is included for illustrative purposes and forms no part of the claimed design.

1 Claim, 5 Drawing Sheets



US D578,194 S

Page 2

U.S. PATENT DOCUMENTS							
6,267,113	B1 *	7/2001	Maust et al. 126/512	D535,000	S *	1/2007	Reeder D23/343
6,293,272	B1	9/2001	Harneit	D535,370	S *	1/2007	Jensen D23/343
6,361,858	B1	3/2002	Stedron et al.	7,175,424	B2	2/2007	Fink et al.
D455,206	S *	4/2002	Davis et al. D23/350	7,234,932	B2	6/2007	Streit
6,403,004	B1	6/2002	Stecker	7,263,991	B2	9/2007	Schlosser et al.
D470,582	S *	2/2003	Jeng D23/348	2002/0033172	A1	3/2002	Ruiz
6,609,514	B1	8/2003	Berolas	2003/0029443	A1	2/2003	Davis et al.
6,640,803	B2	11/2003	Davis et al.	2003/0075166	A1	4/2003	Glass
6,694,967	B2	2/2004	Stephen et al.	2003/0188735	A1	10/2003	Yang
6,736,132	B2	5/2004	Schlosser et al.	2004/0211410	A1	10/2004	Kuelbs
6,790,033	B2	9/2004	Gady et al.	2004/0255930	A1	12/2004	Klemming
D498,523	S *	11/2004	Davis D23/332	2005/0126556	A1	6/2005	Bossler
6,851,423	B2	2/2005	Klemming	2006/0054160	A1	3/2006	Borowske
6,869,278	B2	3/2005	Streit	2007/0128562	A1	6/2007	Thomas

* cited by examiner

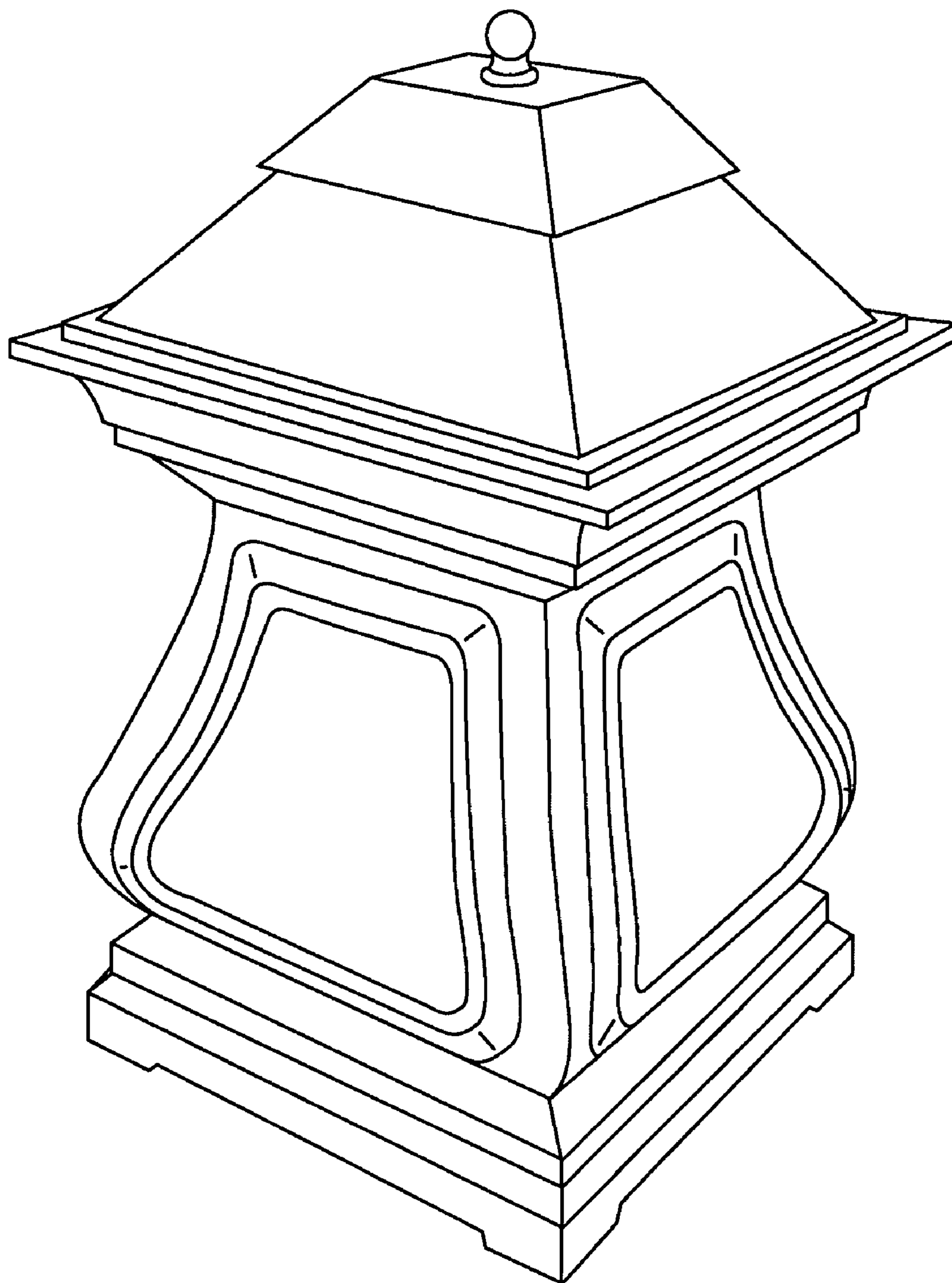


FIG. 1

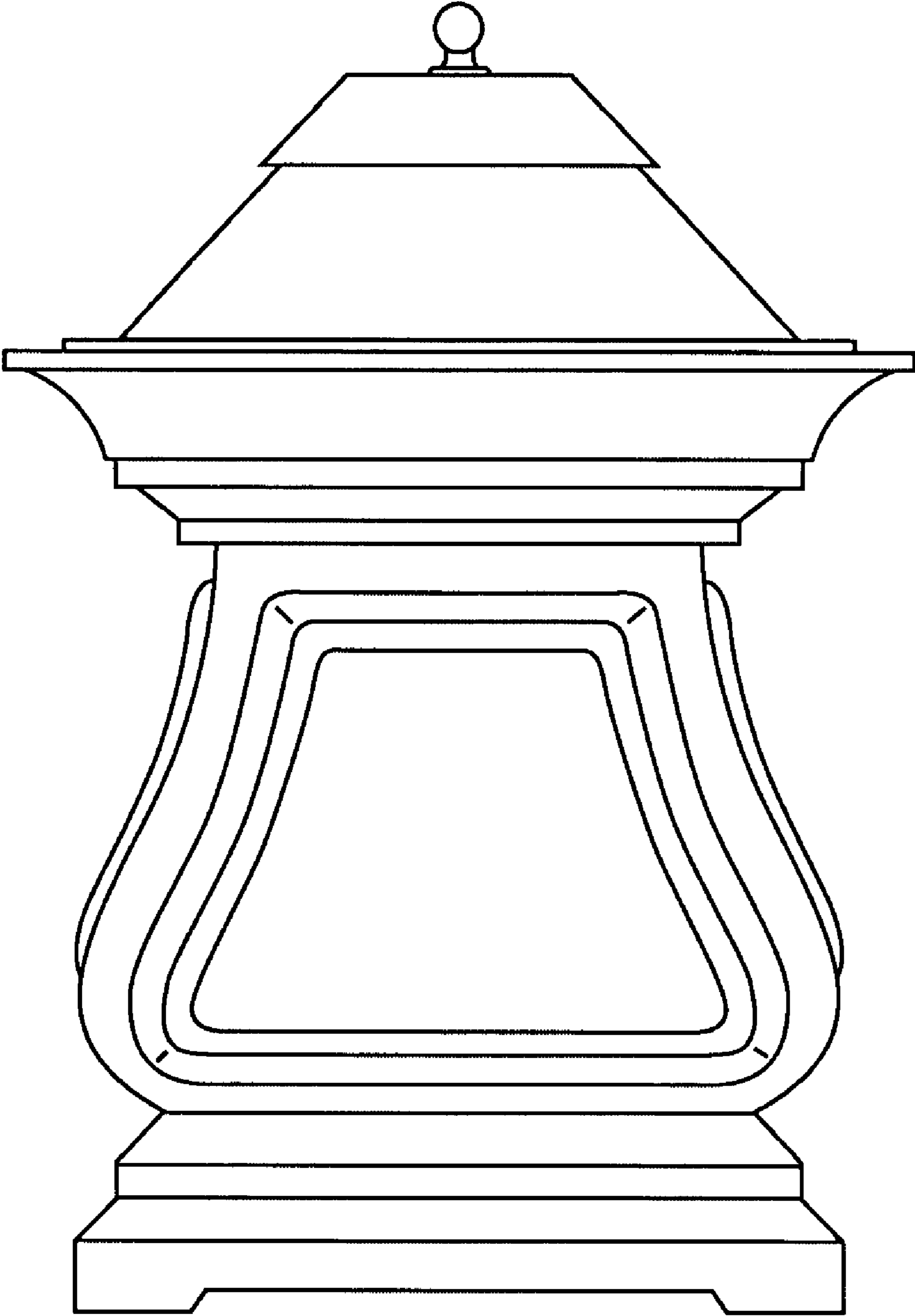


FIG. 2

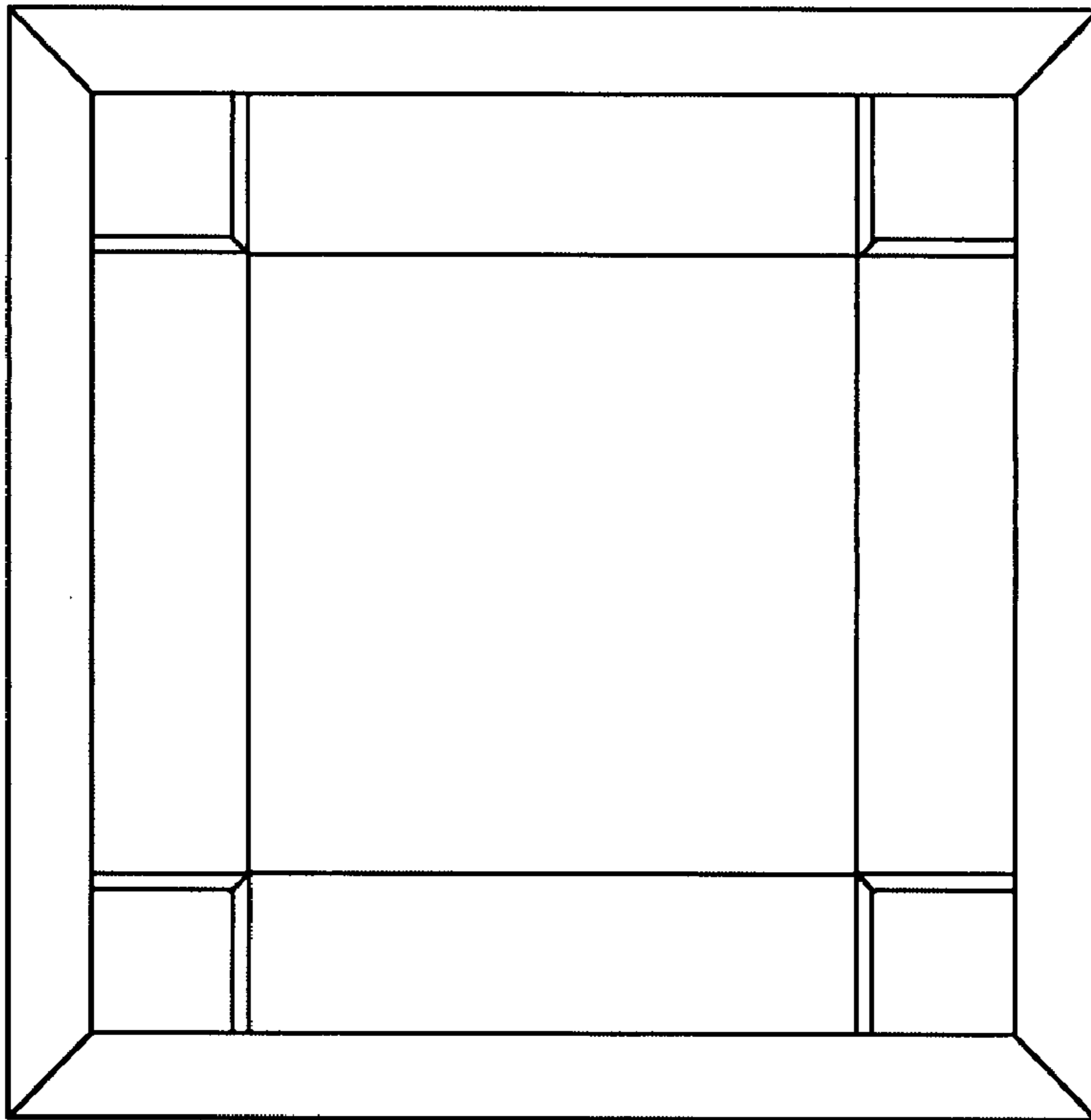


FIG. 4

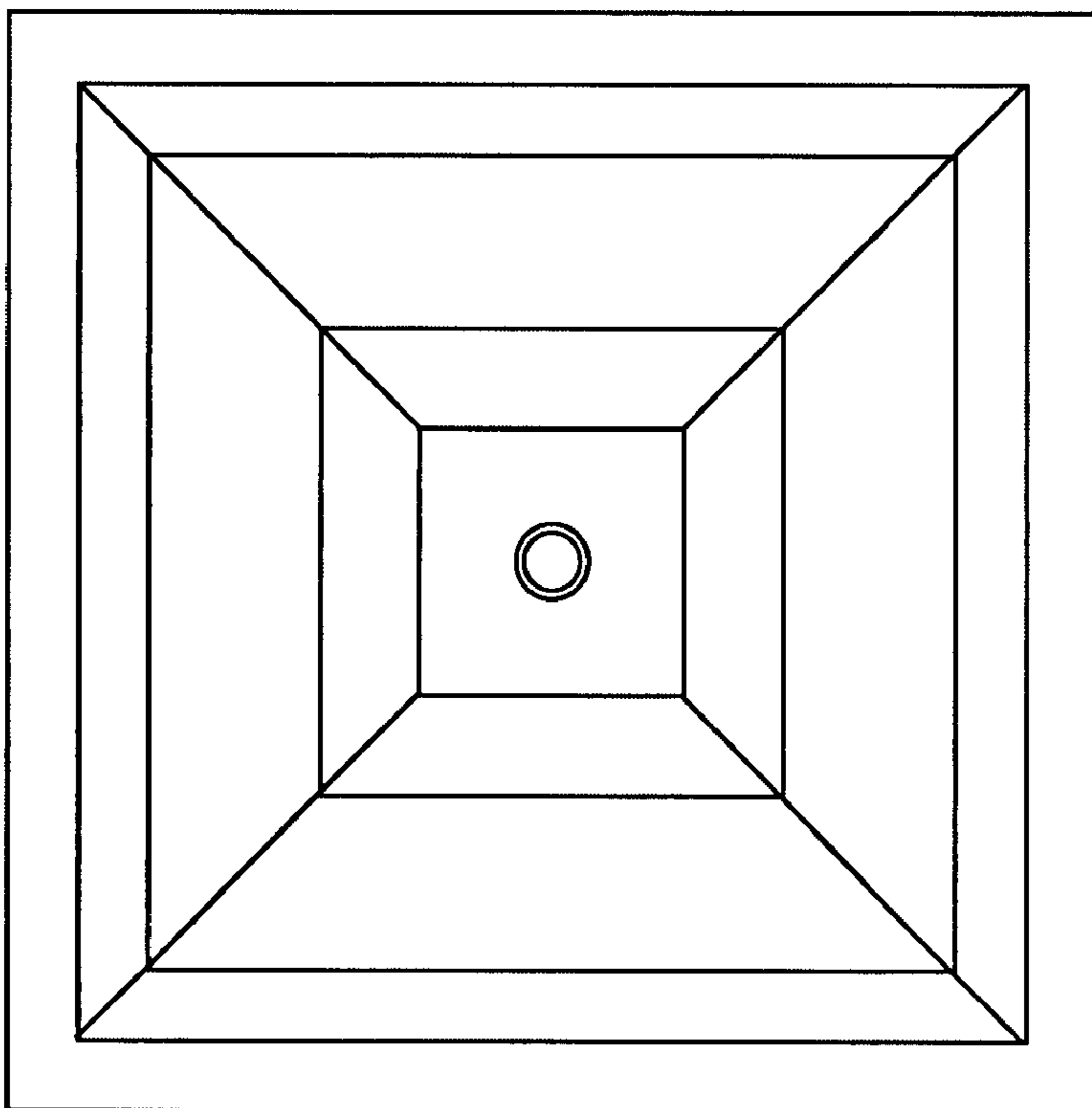


FIG. 3

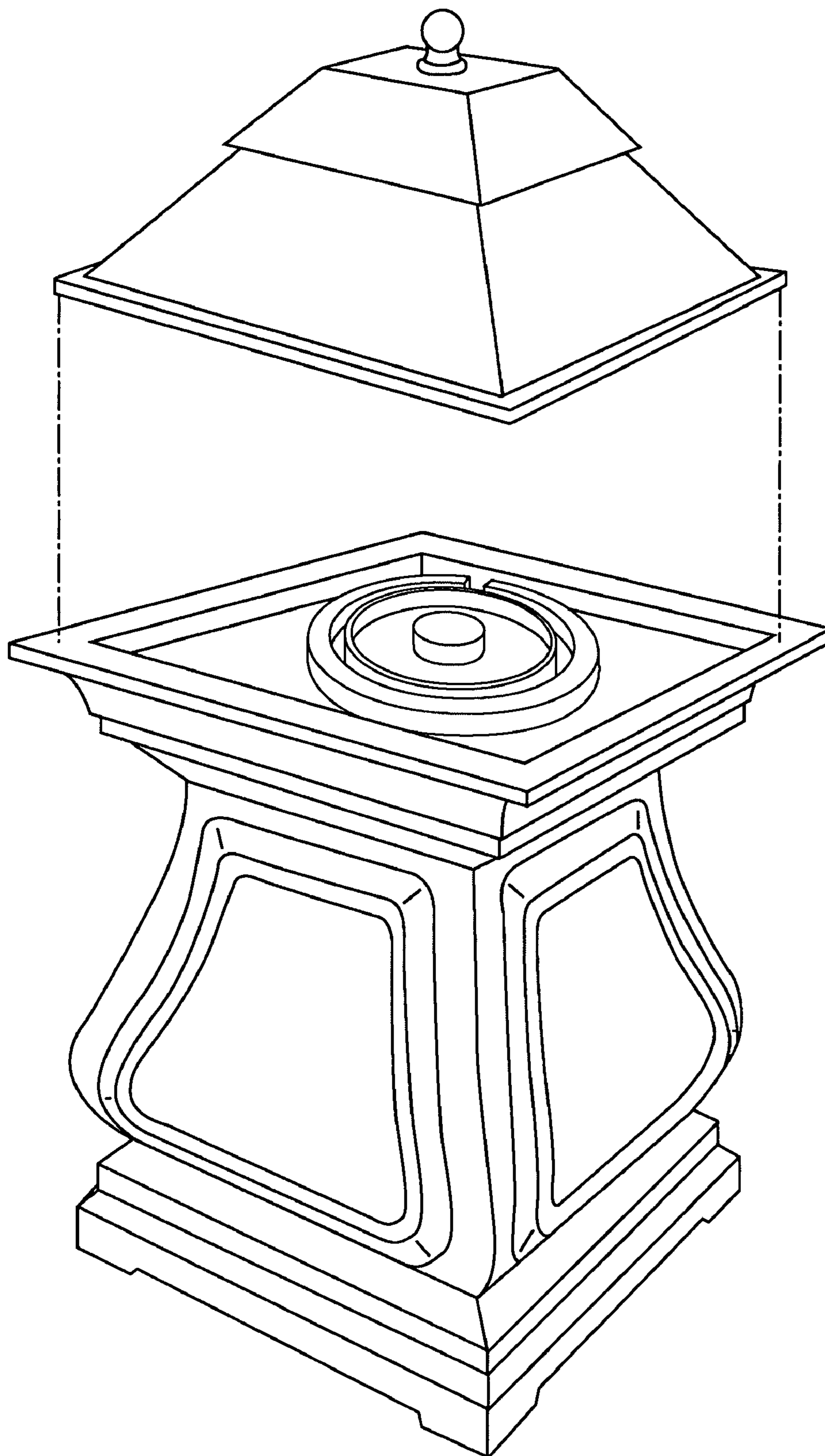


FIG. 5

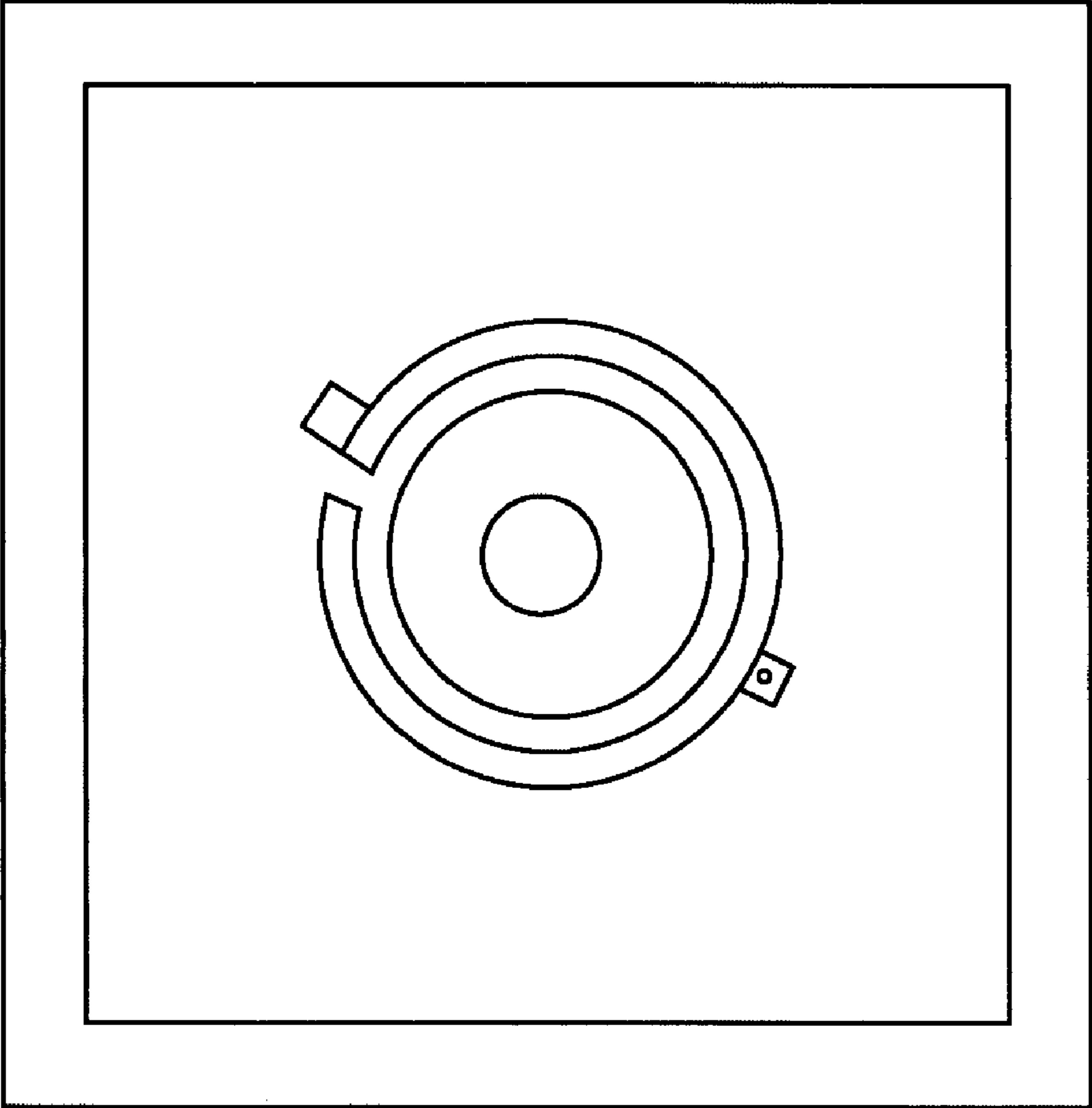


FIG. 6