

US00D578193S

(12) **United States Design Patent**  
**Lo**

(10) **Patent No.:** **US D578,193 S**  
(45) **Date of Patent:** **\*\* Oct. 7, 2008**

(54) **HEAT BLOWER**

(76) Inventor: **Wen-Long Lo**, 235 Chung-Ho Box 8-24,  
Taiepei (TW)

(\*\*) Term: **14 Years**

(21) Appl. No.: **29/283,660**

(22) Filed: **Aug. 21, 2007**

(51) **LOC (8) Cl.** ..... **23-03**

(52) **U.S. Cl.** ..... **D23/336; D23/332**

(58) **Field of Classification Search** ..... D23/314,  
D23/323, 328, 330, 332-350, 386; 392/465,  
392/497, 501; 165/163, 157; 126/304 R,  
126/305, 306

See application file for complete search history.

(56) **References Cited**

**U.S. PATENT DOCUMENTS**

D151,309 S *	10/1948	Witte	.....	D23/336
D152,841 S *	2/1949	Thompson et al.	.....	D23/336
2,552,470 A *	5/1951	Wahlberg	.....	392/368
D164,613 S *	9/1951	Wahlberg et al.	.....	D23/336
D201,165 S *	5/1965	Briggs	.....	D23/338
D264,374 S *	5/1982	Briggs et al.	.....	D23/338
D315,597 S *	3/1991	Botheras et al.	.....	D23/332
D319,694 S *	9/1991	Wortham	.....	D23/336

D330,756 S *	11/1992	Davies et al.	.....	D23/338
D340,765 S *	10/1993	Joss et al.	.....	D23/336
D341,417 S *	11/1993	Wortham	.....	D23/336
D347,683 S *	6/1994	Chiu et al.	.....	D23/336
D467,323 S *	12/2002	Cho	.....	D23/332

\* cited by examiner

*Primary Examiner*—Louis S Zarfaz  
*Assistant Examiner*—Eric L Goodman

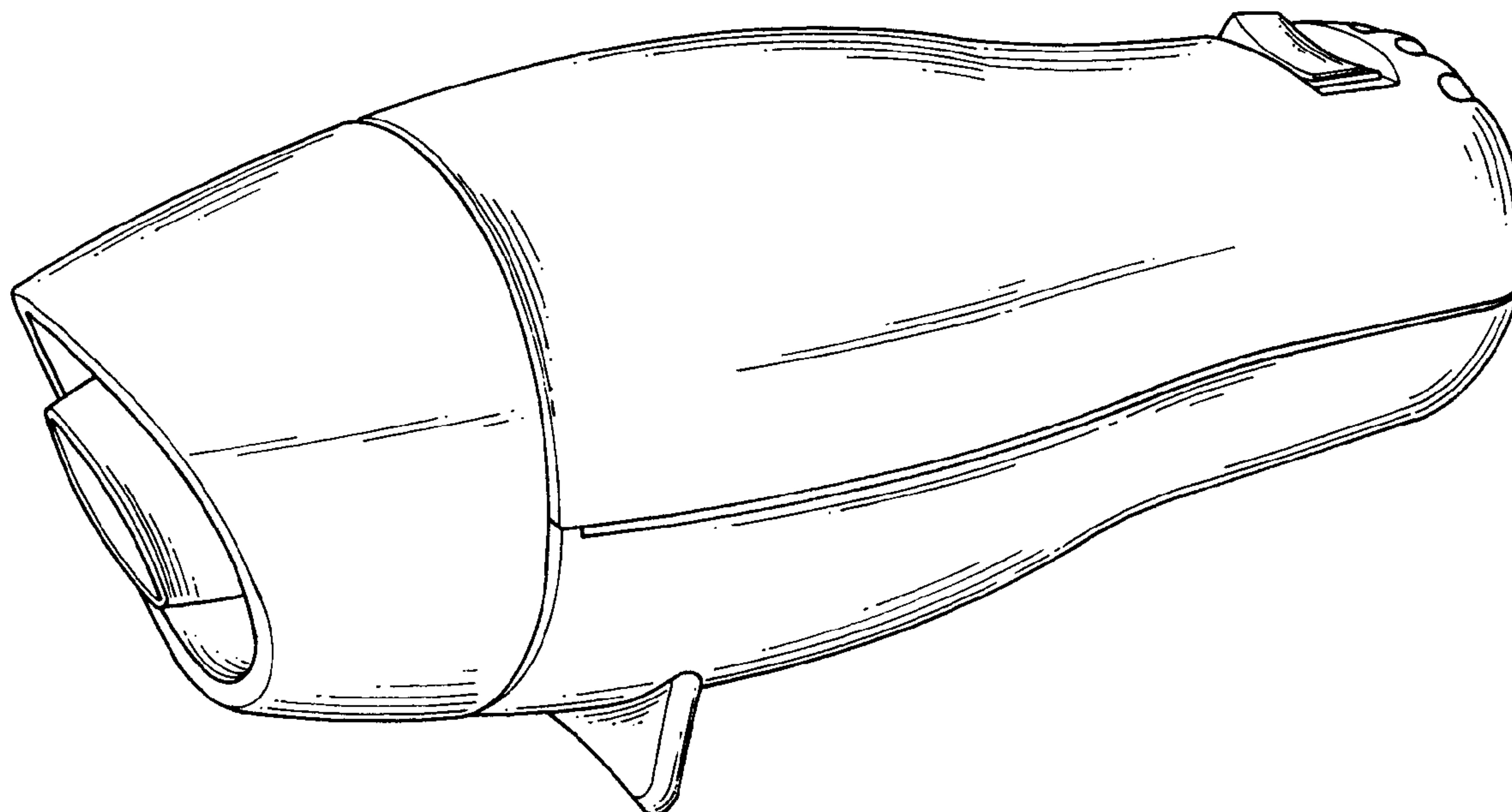
(57) **CLAIM**

The ornamental design for a heat blower, as shown and described.

**DESCRIPTION**

FIG. 1 is a perspective view of a heat blower showing my new design;  
FIG. 2 is front elevational view thereof;  
FIG. 3 is rear elevational view thereof;  
FIG. 4 is a left side view thereof;  
FIG. 5 is a right side view thereof;  
FIG. 6 is a top plan view thereof; and,  
FIG. 7 is a bottom plan view thereof.

**1 Claim, 6 Drawing Sheets**



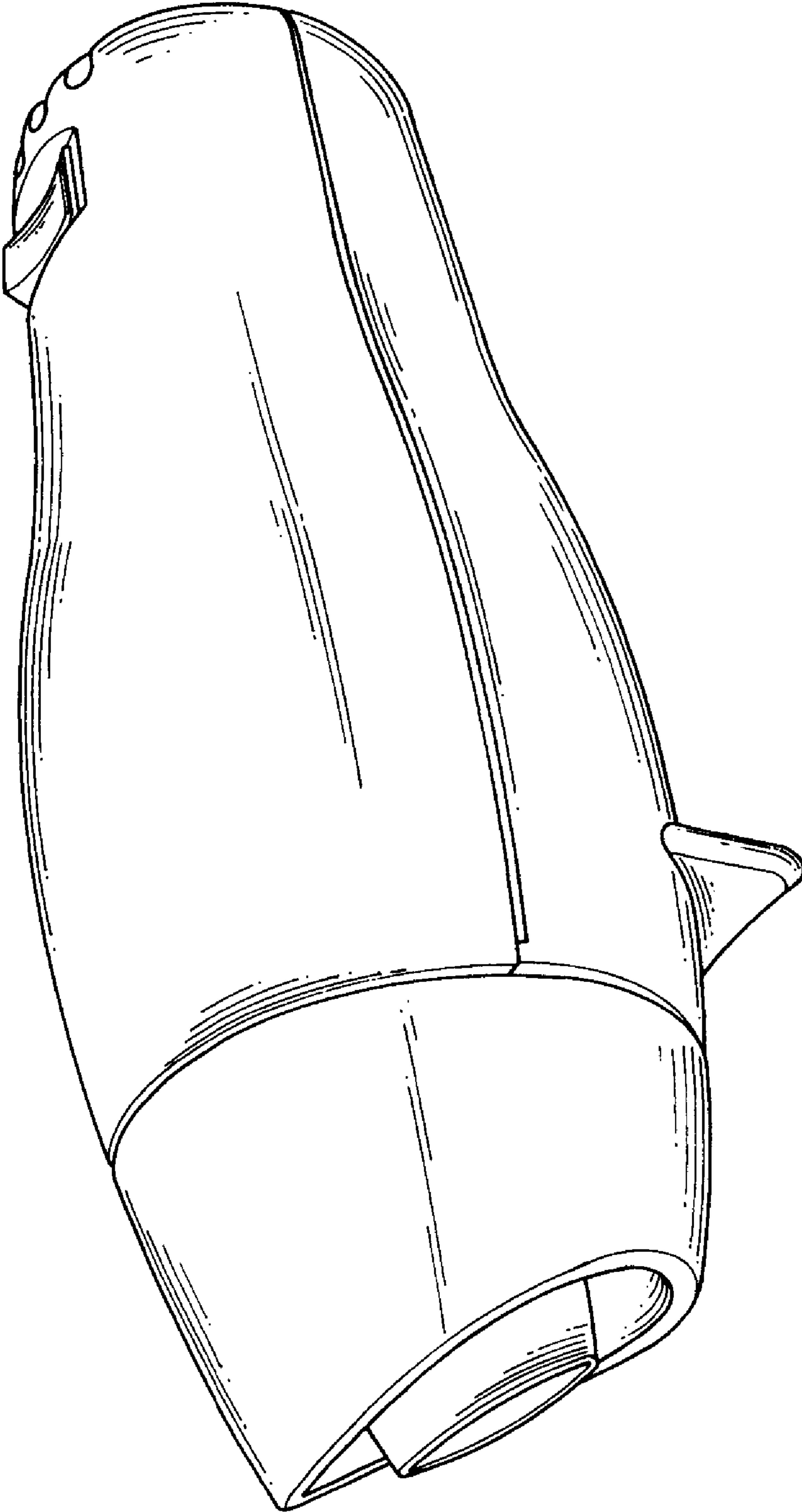


FIG. 1

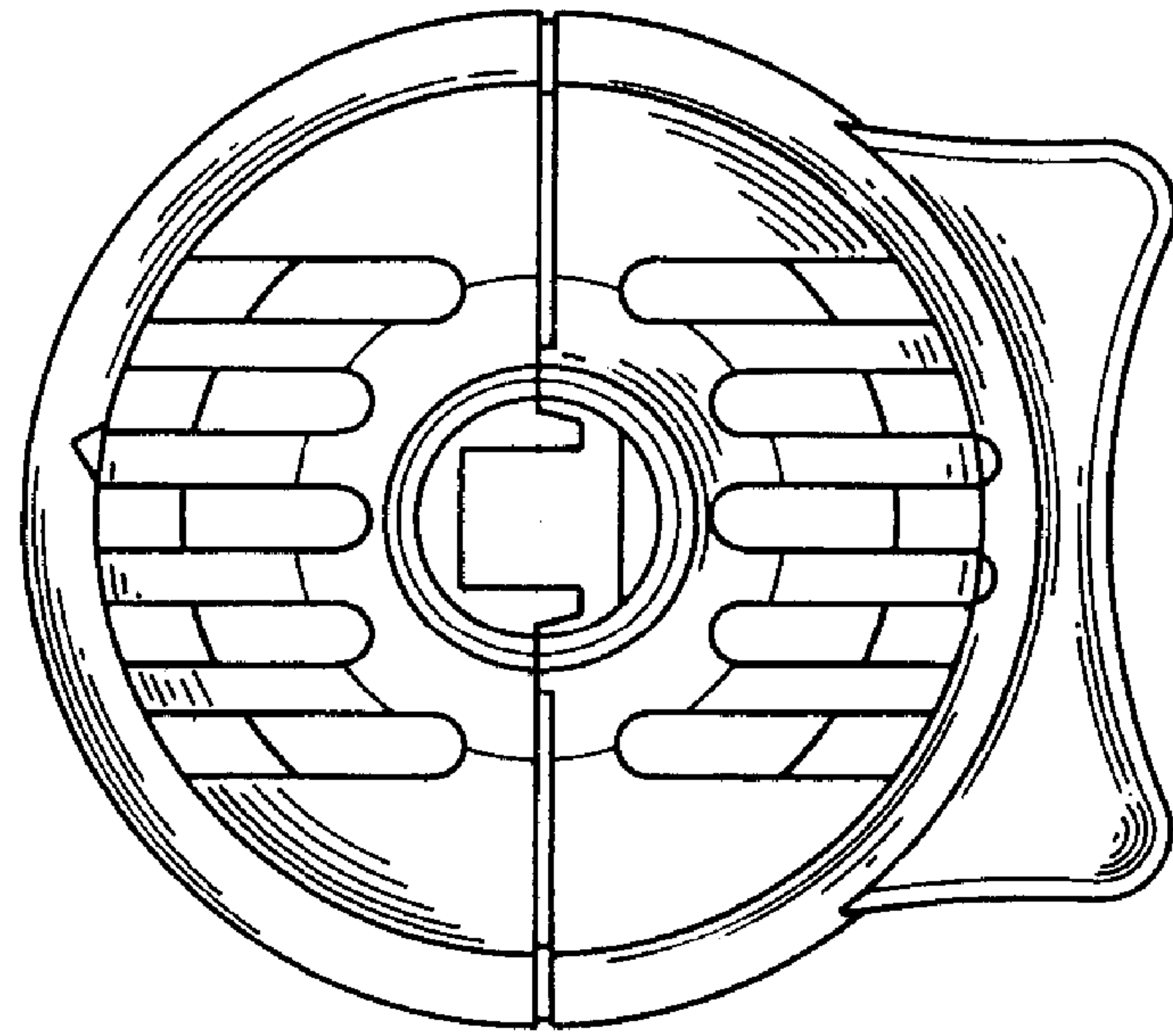


FIG. 2

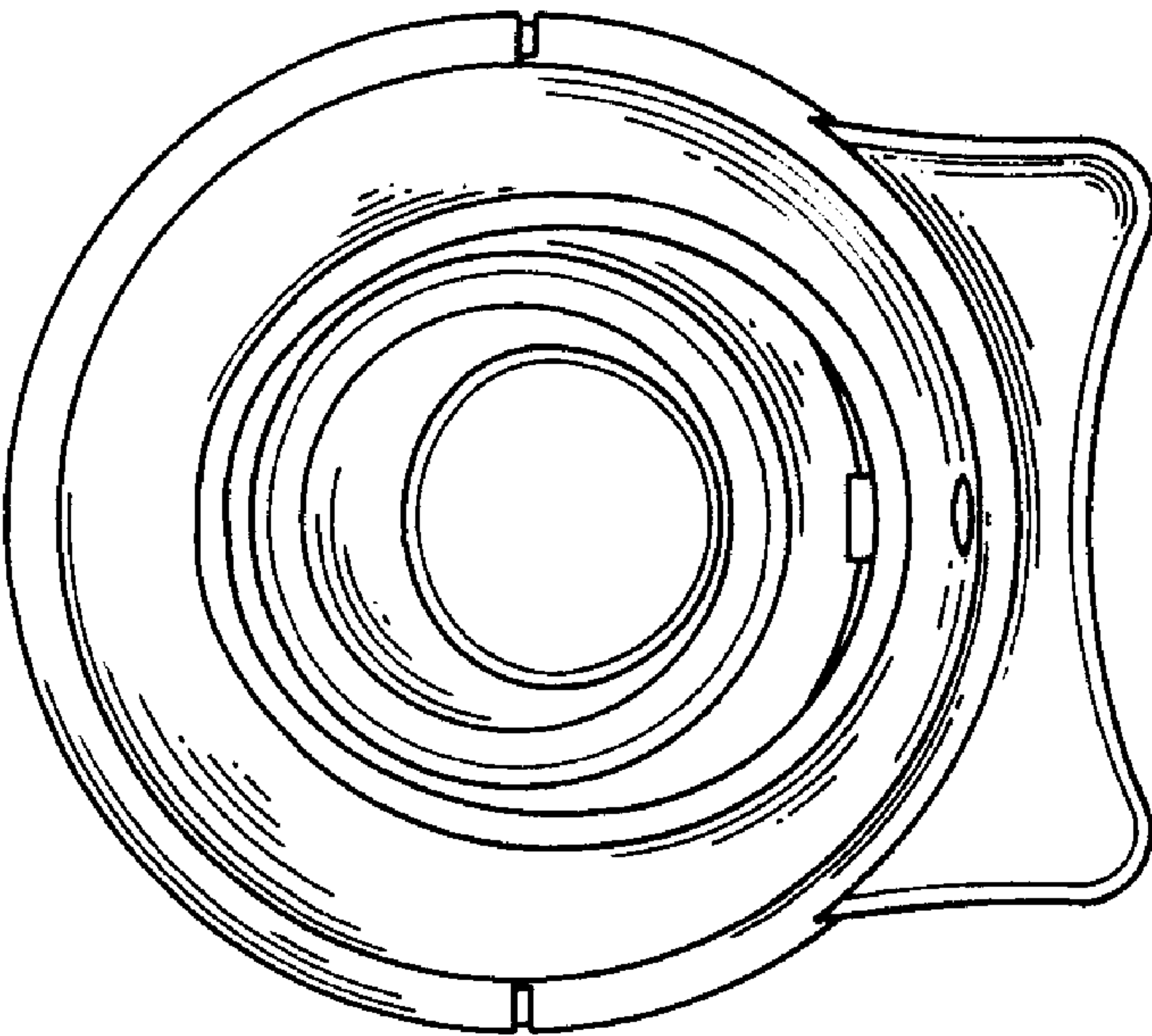


FIG. 3

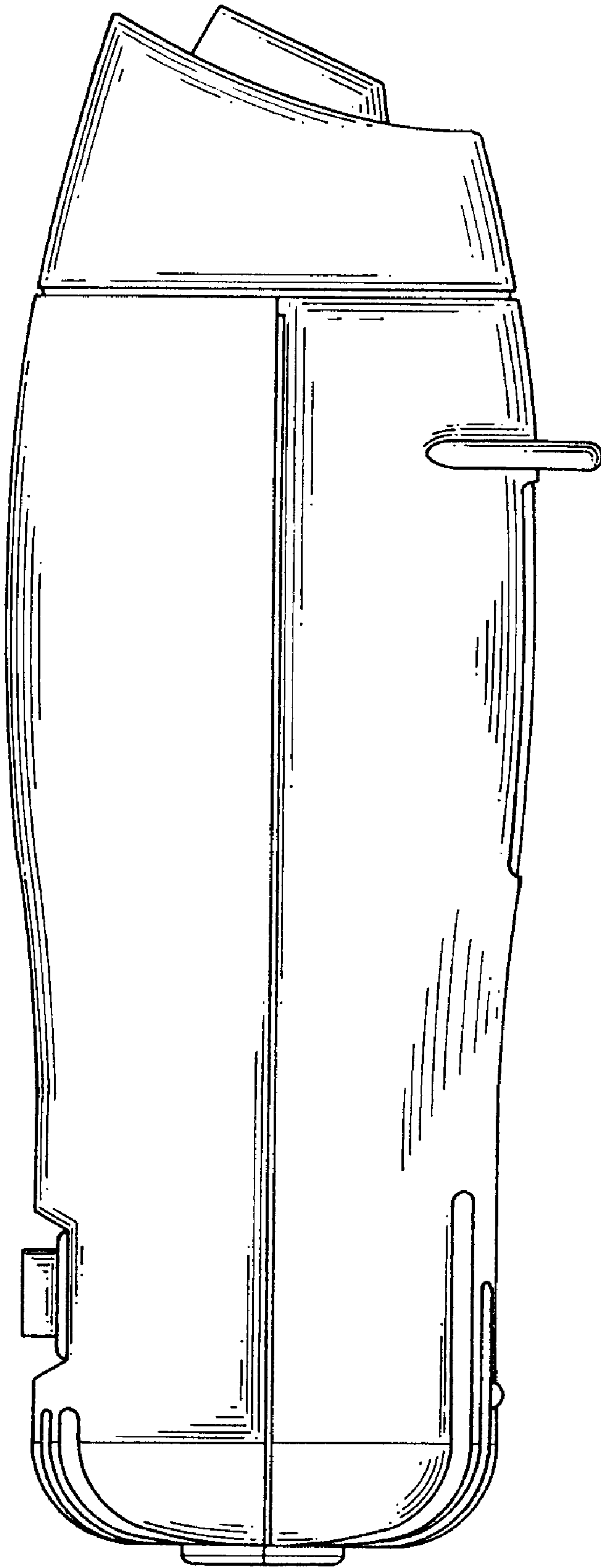


FIG. 4

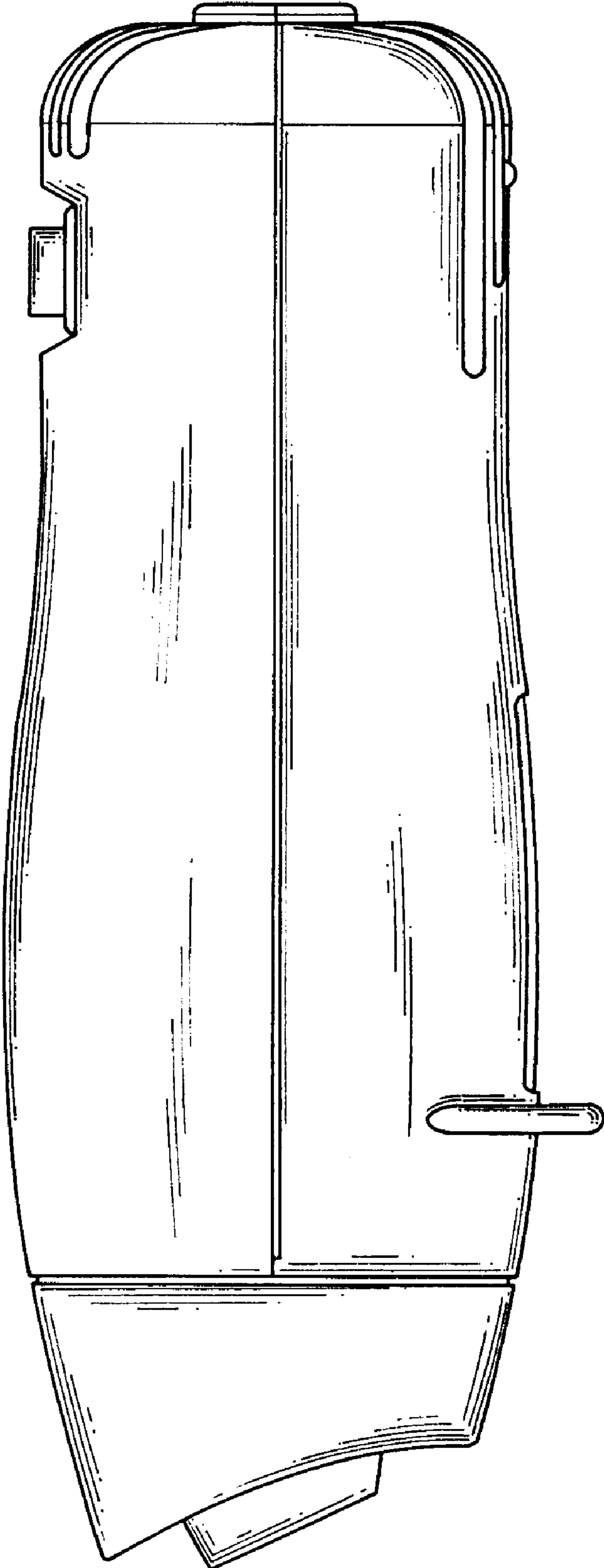


FIG. 5

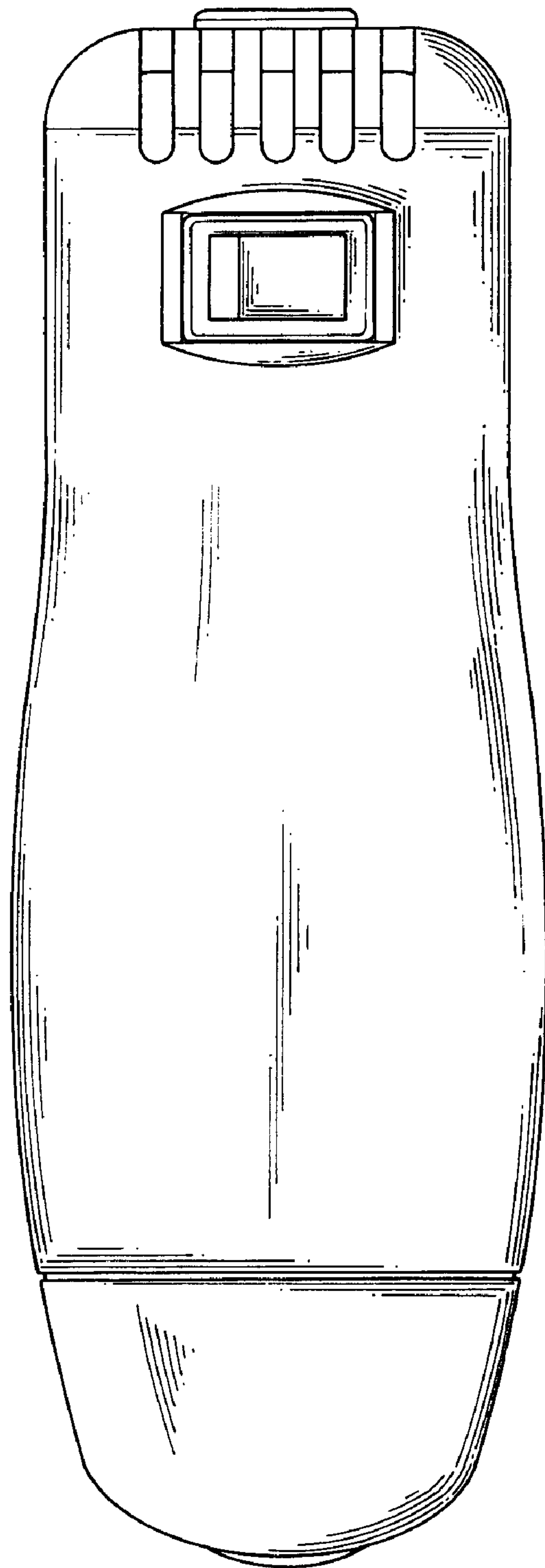


FIG. 6



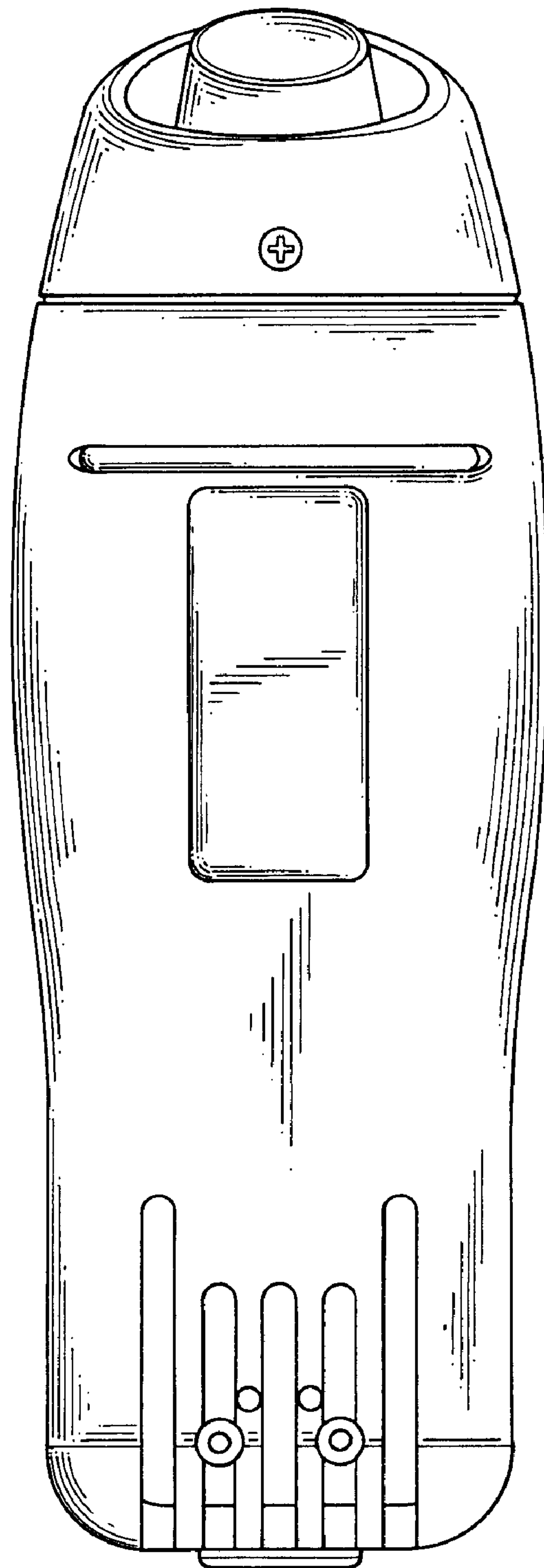


FIG. 7