

US00D578189S

(12) **United States Design Patent**
Gao

(10) **Patent No.:** **US D578,189 S**
(45) **Date of Patent:** **** Oct. 7, 2008**

(54) **HEATER**

(76) Inventor: **Tianyu Gao**, Jinke Bldg., 8 Qiongyu Rd,
Science & Technology Park, Nanshan
Dist., Shenzhen (CN)

(**) Term: **14 Years**

(21) Appl. No.: **29/274,621**

(22) Filed: **May 10, 2007**

(30) **Foreign Application Priority Data**

Nov. 24, 2006 (CN) 2006 3 0154827

(51) **LOC (8) Cl.** **23-03**

(52) **U.S. Cl.** **D23/317; D23/332**

(58) **Field of Classification Search** D23/314,
D23/317, 332, 342, 333, 334, 335, 337, 351,
D23/355, 378, 370, 387, 364, 336, 341, 383;
237/56, 67, 61, 62; 416/244 R, 247 R, 53.1,
416/53.2, 53.3; 392/365, 367, 347, 350,
392/373, 407, 433, 78 A

See application file for complete search history.

(56) **References Cited**

U.S. PATENT DOCUMENTS

D373,414 S * 9/1996 Bucher et al. D23/335
D395,490 S * 6/1998 Jane' et al. D23/337
D396,526 S * 7/1998 Boyle et al. D23/335
D423,657 S * 4/2000 Lee D23/337
D448,837 S * 10/2001 Toro et al. D23/335
D462,429 S * 9/2002 Gao D23/335
D462,753 S * 9/2002 Gao D23/335

D465,835 S * 11/2002 Gao D23/325
D471,969 S * 3/2003 Krauss D23/337
D483,101 S * 12/2003 Ching D23/335
D483,102 S * 12/2003 Ching D23/335
D513,069 S * 12/2005 Blateri D23/335
D526,058 S * 8/2006 Blateri D23/332
D534,629 S * 1/2007 Bucher et al. D23/335
D550,339 S * 9/2007 Bucher et al. D23/335
2007/0046107 A1 * 3/2007 Jayaram et al. 307/117

* cited by examiner

Primary Examiner—Robert M. Spear

Assistant Examiner—Ania K Dworzecka

(74) *Attorney, Agent, or Firm*—Birch, Stewart, Kolasch &
Birch, LLP

(57) **CLAIM**

The ornamental design for a heater, as shown and described.

DESCRIPTION

FIG. 1 is a front view of a heater showing my new design;

FIG. 2 is a rear view thereof;

FIG. 3 is a left side view thereof;

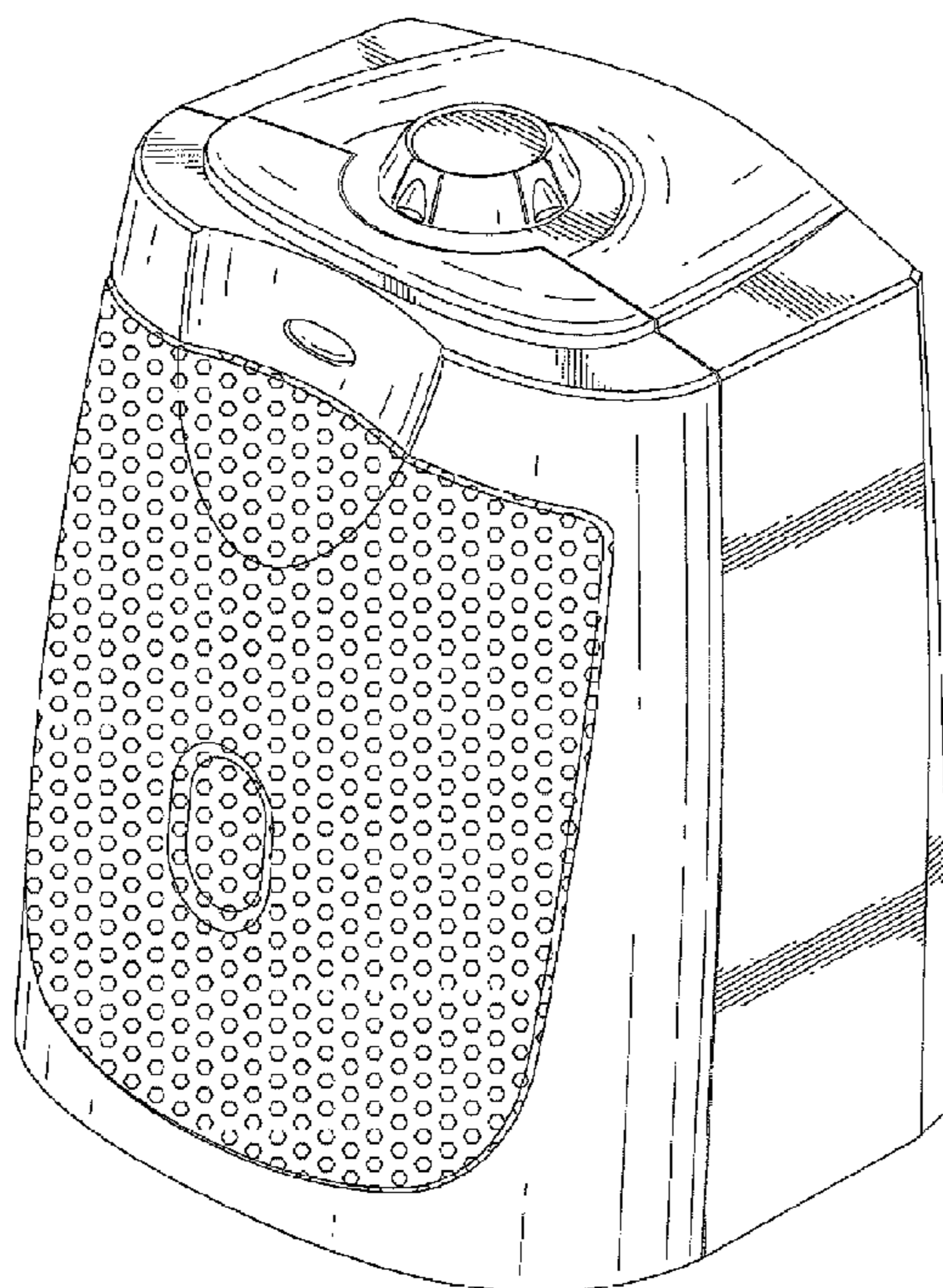
FIG. 4 is a right view thereof;

FIG. 5 is a top plan view thereof; and,

FIG. 6 is a perspective view thereof.

The broken line showing of the two slant holes at the bottom and the two circular holes at the top as illustrated in FIGS. 2, 3 and 4 is for the purpose of illustrating environmental structure and forms no part of the claimed design.

1 Claim, 6 Drawing Sheets



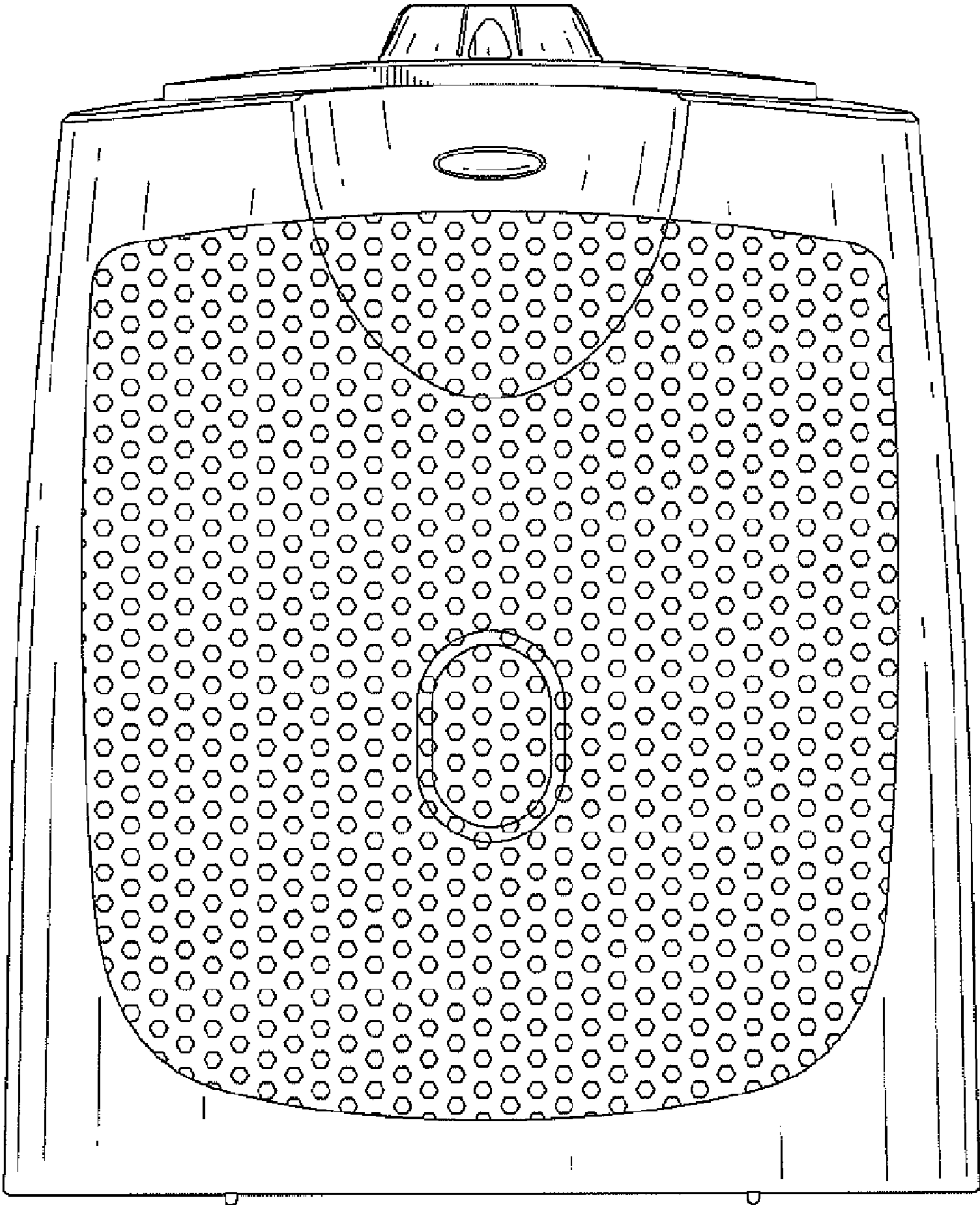


FIG. 1

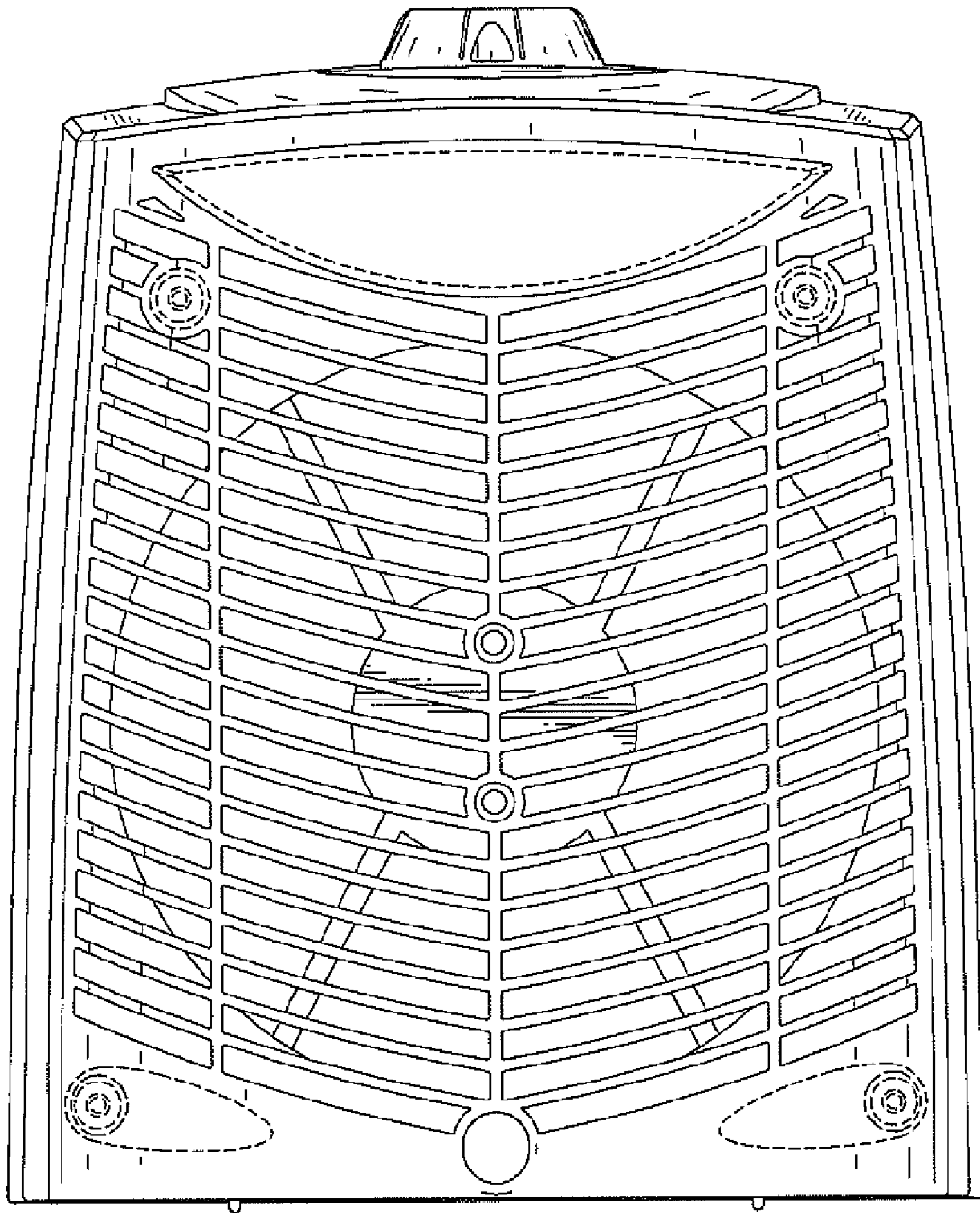


FIG.2

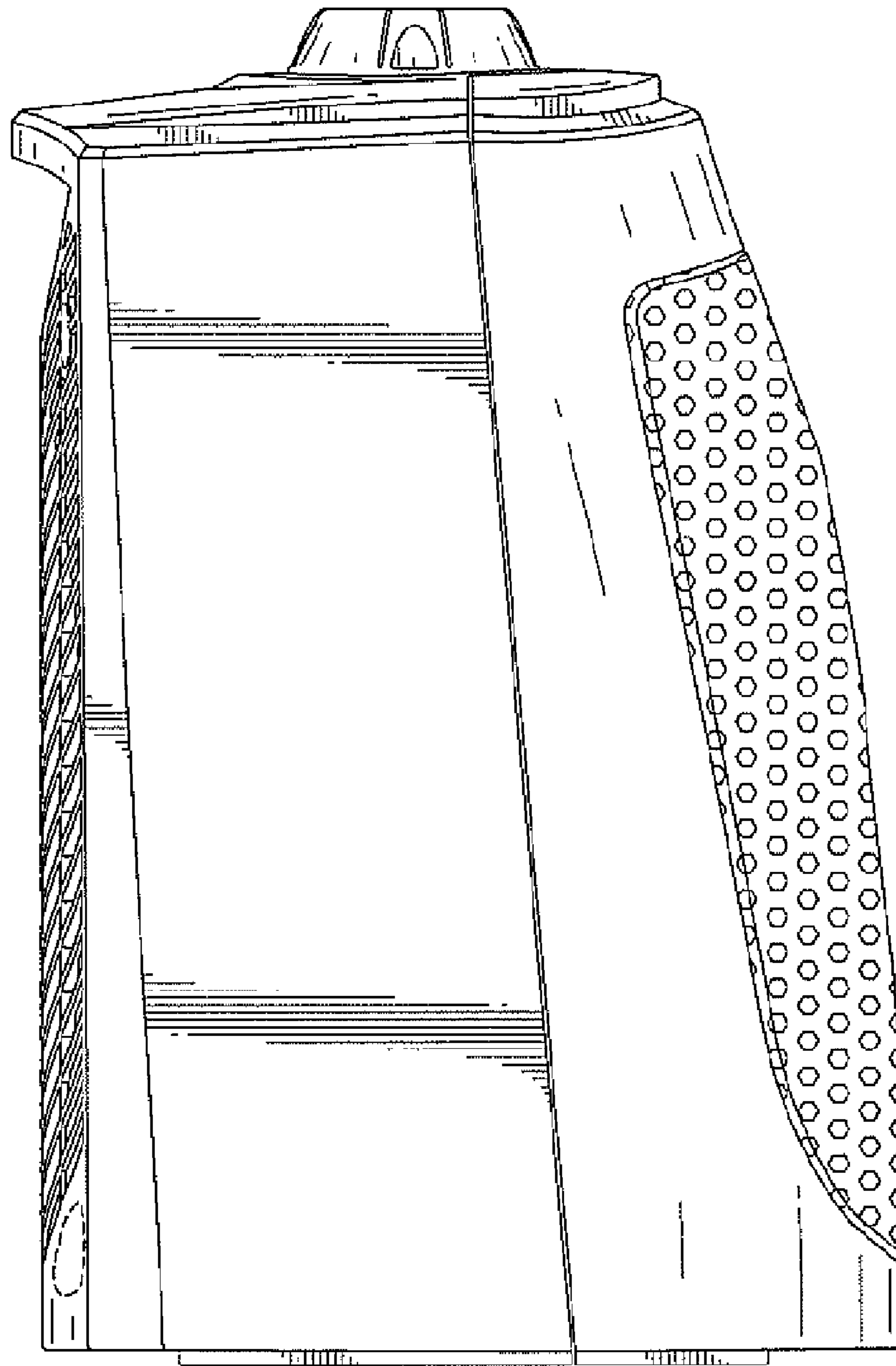


FIG. 3

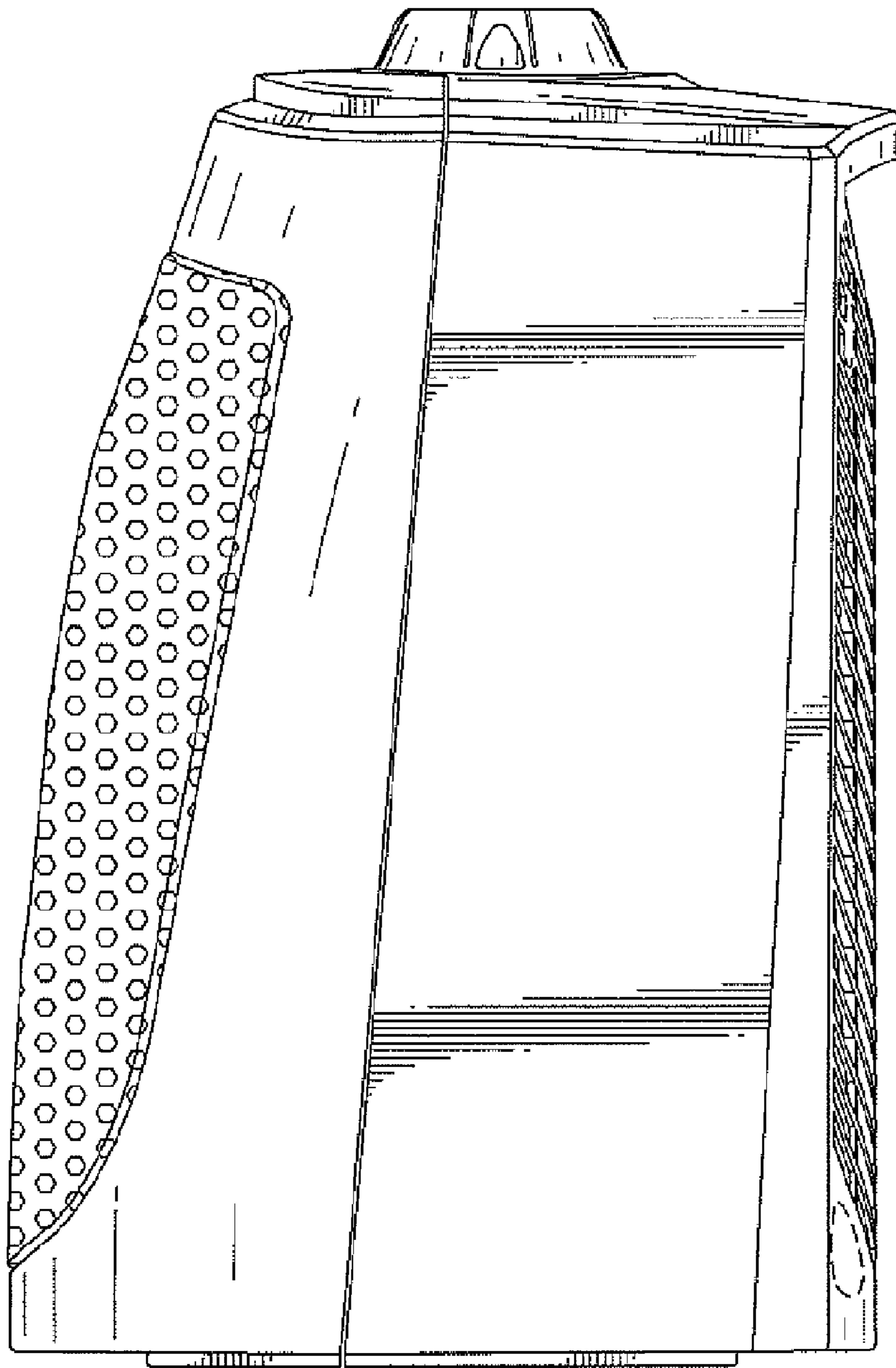


FIG.4

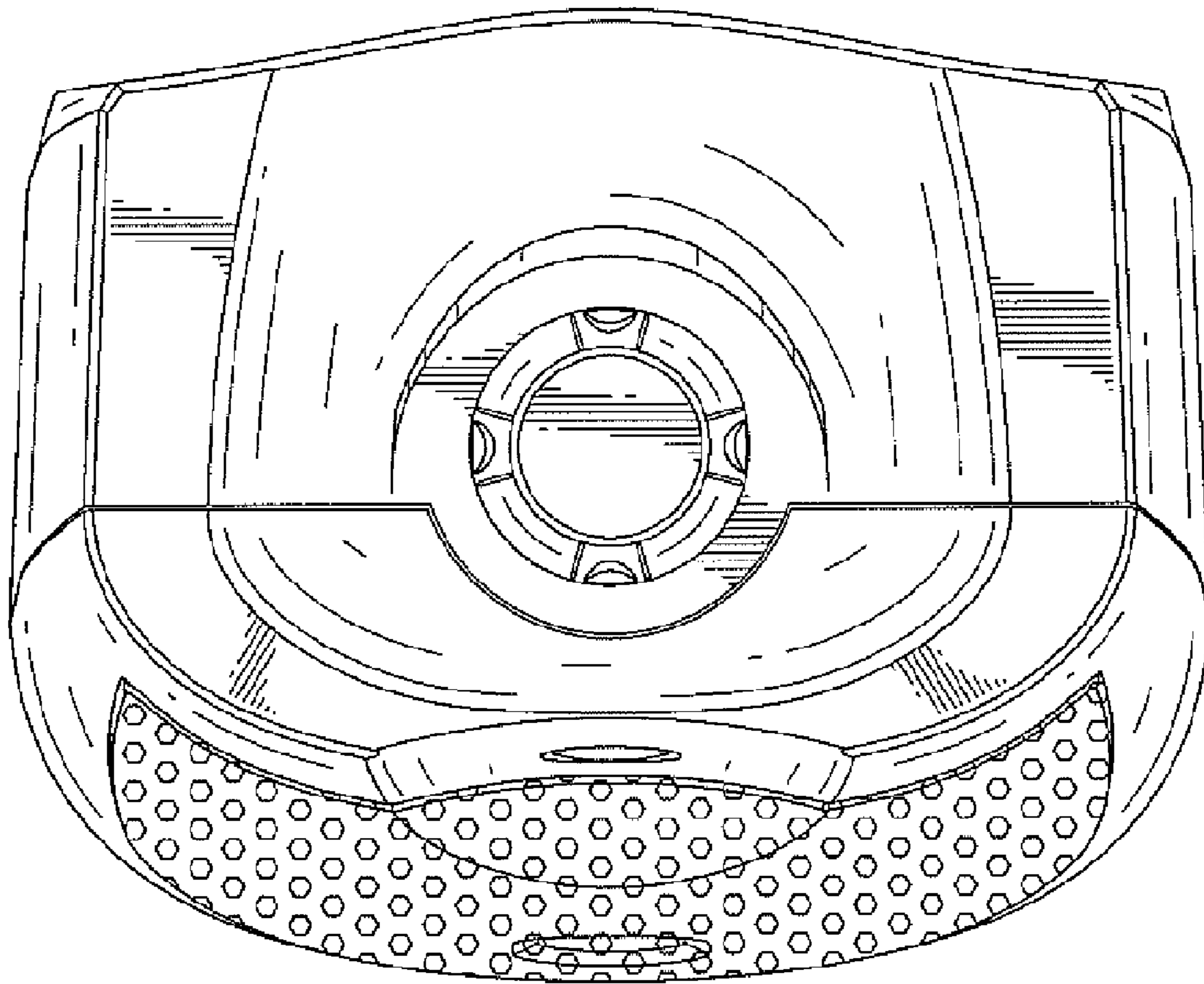


FIG.5

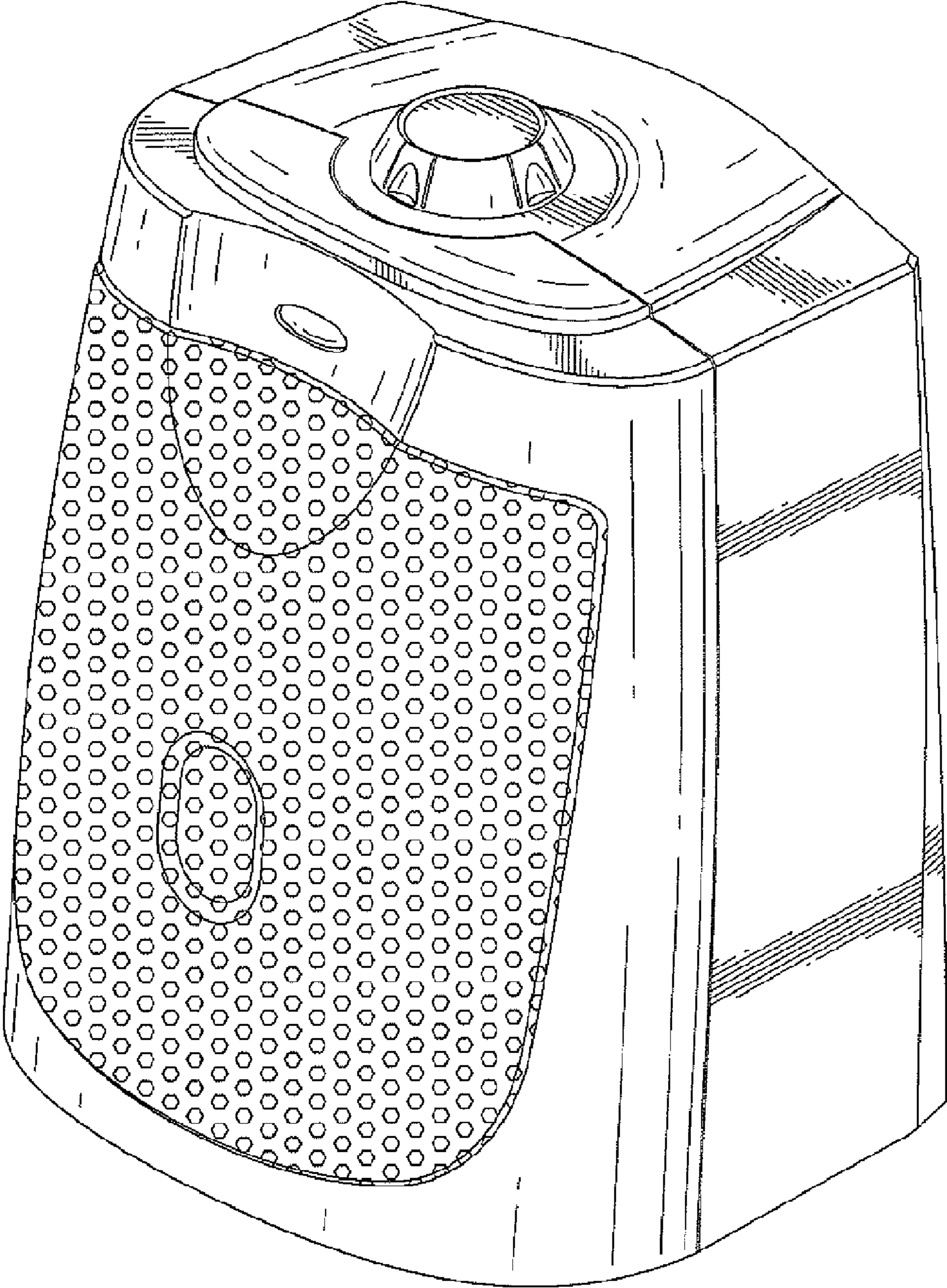


FIG.6