

US00D578188S

(12) **United States Design Patent**  
**Hardesty**

(10) **Patent No.:** **US D578,188 S**

(45) **Date of Patent:** **\*\* Oct. 7, 2008**

(54) **WALL HUNG BATHROOM SINK SUPPORT**

D431,288 S \* 9/2000 Helmsderfer ..... D23/308

(76) Inventor: **Randal W. Hardesty**, 5205 Goodman  
La., Overland Park, KS (US) 66202

\* cited by examiner

*Primary Examiner*—Robert A Delehanty

(\*\*) Term: **14 Years**

(74) *Attorney, Agent, or Firm*—Erickson, Kernell, Derousseau  
& Kleypas, LLC

(21) Appl. No.: **29/295,311**

(57) **CLAIM**

(22) Filed: **Sep. 26, 2007**

The ornamental design for a wall hung bathroom sink support, as shown and described.

(51) **LOC (8) Cl.** ..... **23-02**

(52) **U.S. Cl.** ..... **D23/308**

(58) **Field of Classification Search** ..... D23/286,  
D23/303, 308; 4/663-664, 630-631, 643;  
D6/397, 509

**DESCRIPTION**

See application file for complete search history.

FIG. 1 is a front perspective view showing my new design with the sink and faucet shown in phantom lines;

FIG. 2 is a side perspective view of FIG. 1 showing my new design;

FIG. 3 is a front elevation view of a mounting frame of the sink support shown in FIG. 1, the broken lines showing of mounting holes and bracket are for illustrative purposes and from no part of the I claimed design.

(56) **References Cited**

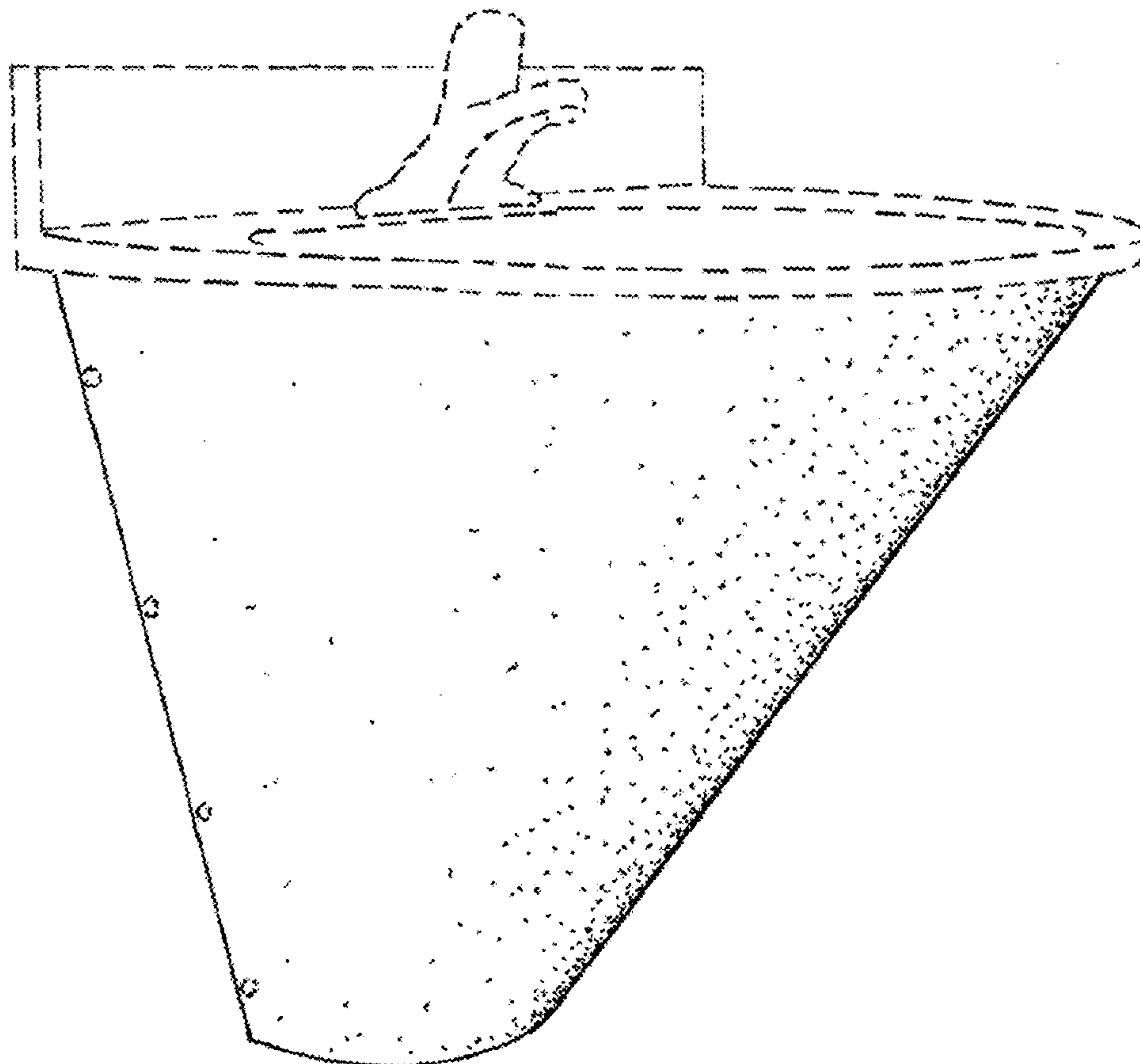
**U.S. PATENT DOCUMENTS**

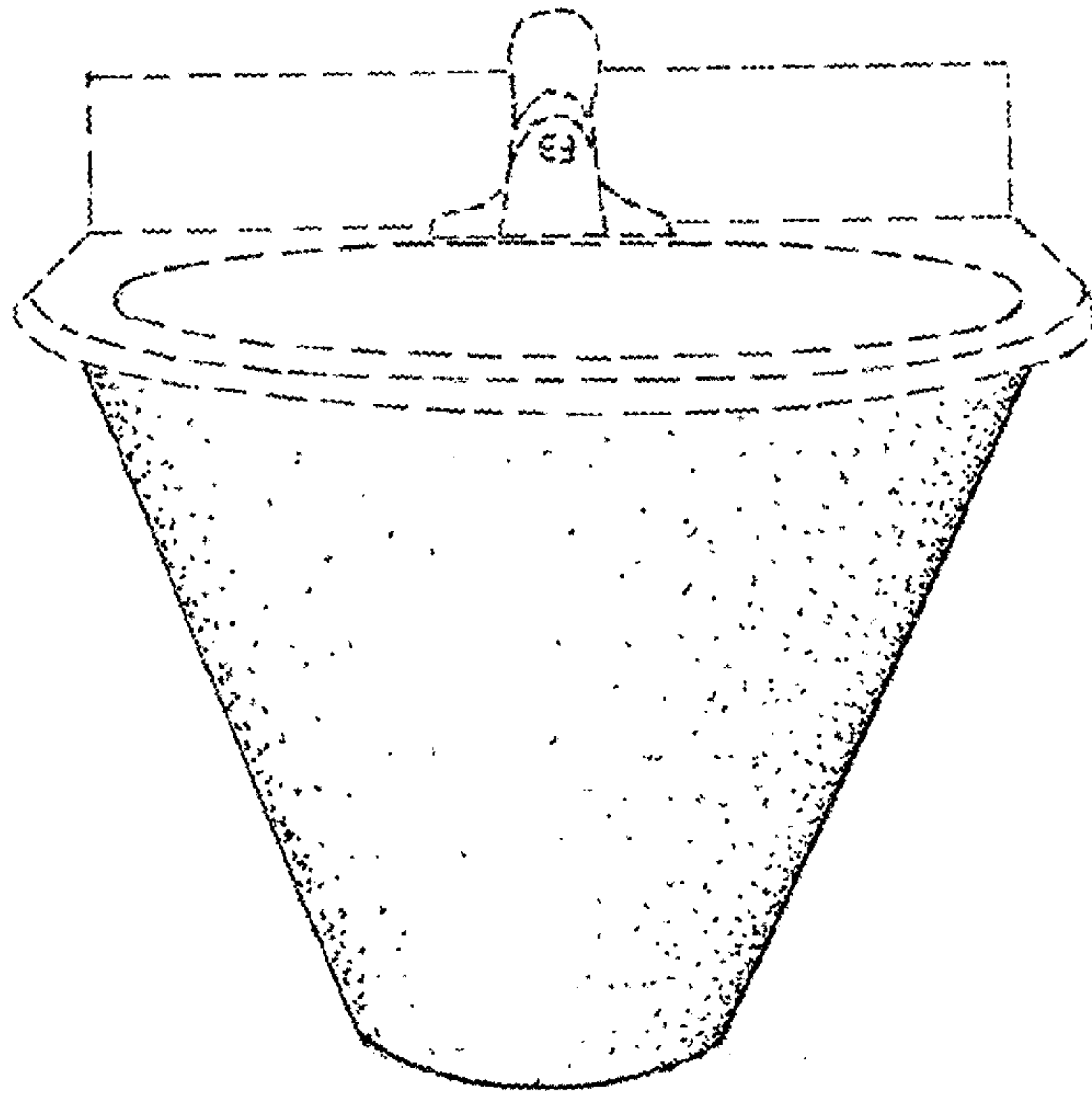
- 3,487,478 A \* 1/1970 Harris ..... 4/619
- D295,071 S \* 4/1988 Kohler et al. .... D23/293.1
- 5,148,552 A \* 9/1992 Kress et al. .... 4/252.2
- D387,144 S \* 12/1997 Flaherty ..... D23/308

FIG. 4 is a top view of FIG. 3 showing my new design; and,

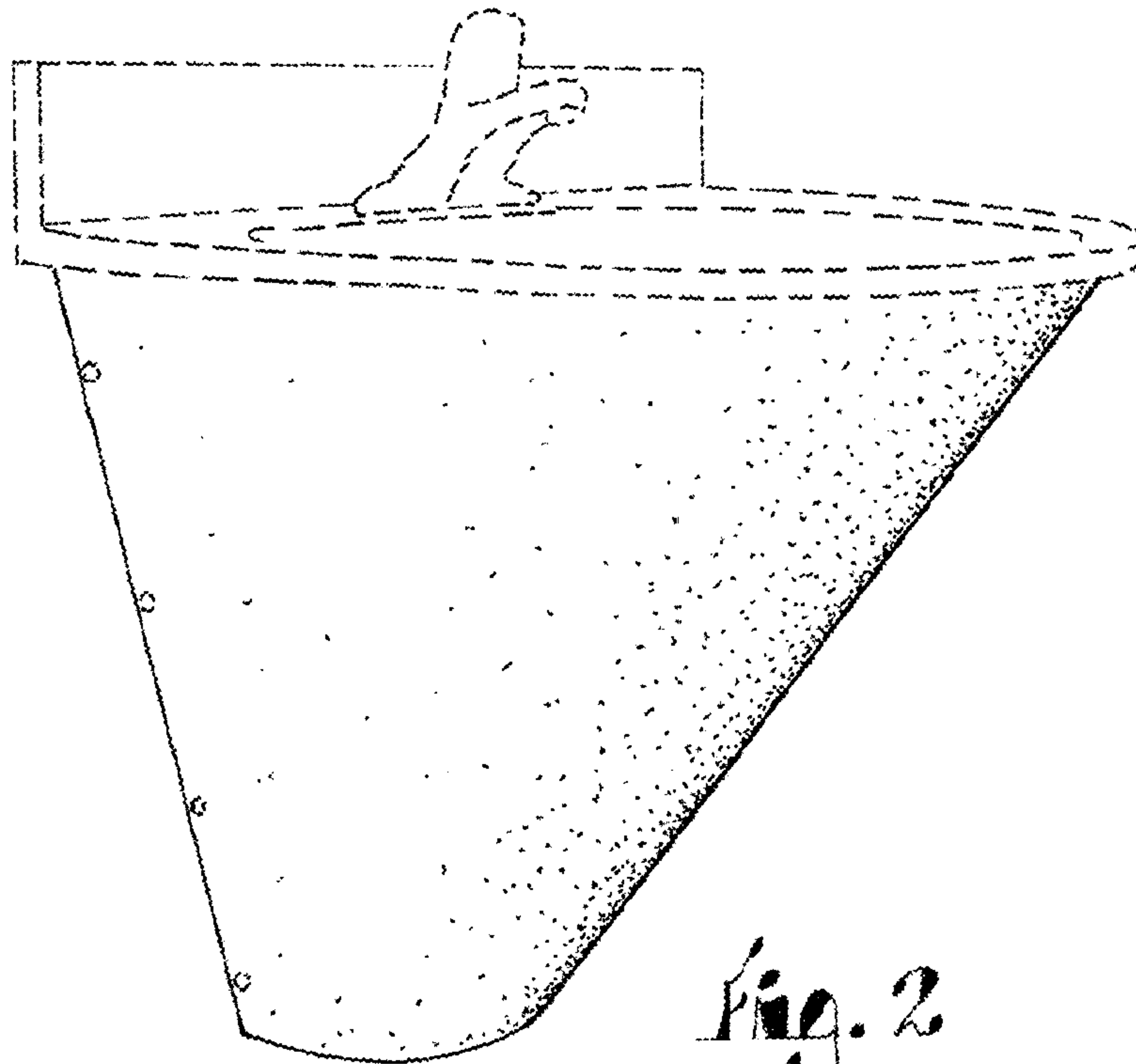
FIG. 5 is a bottom view of FIG. 3 showing my new design.

**1 Claim, 3 Drawing Sheets**

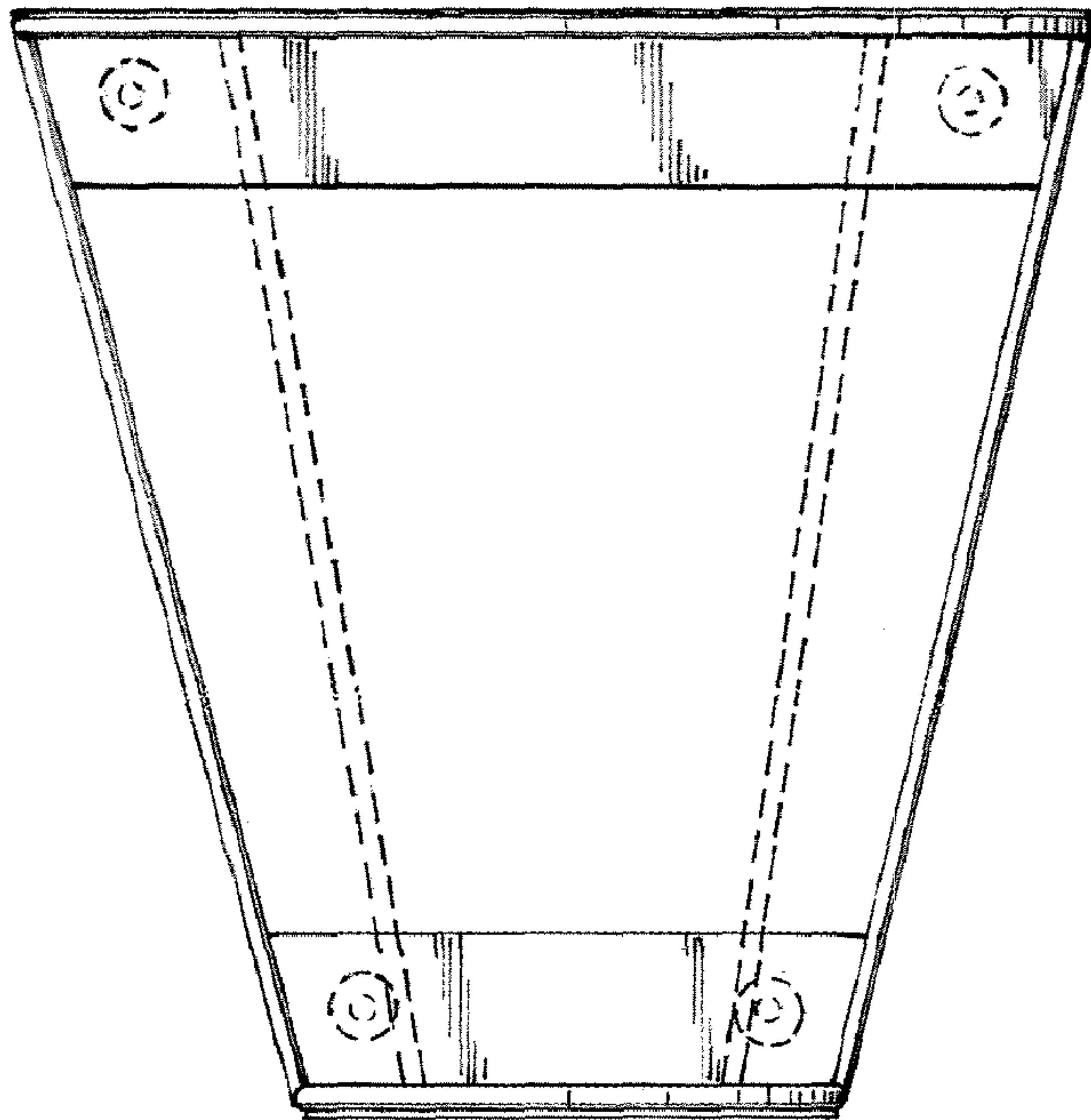




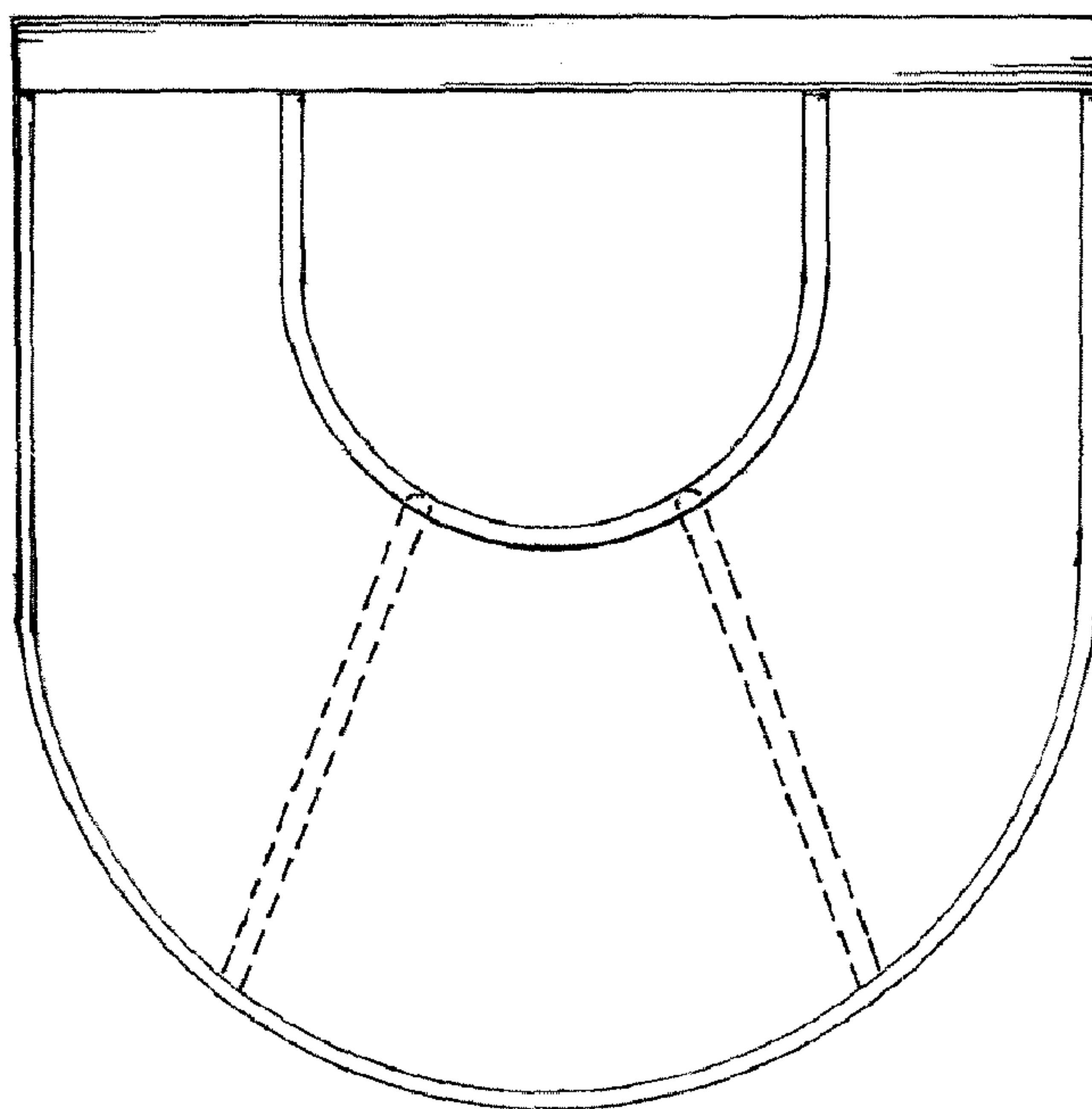
*Fig. 1*



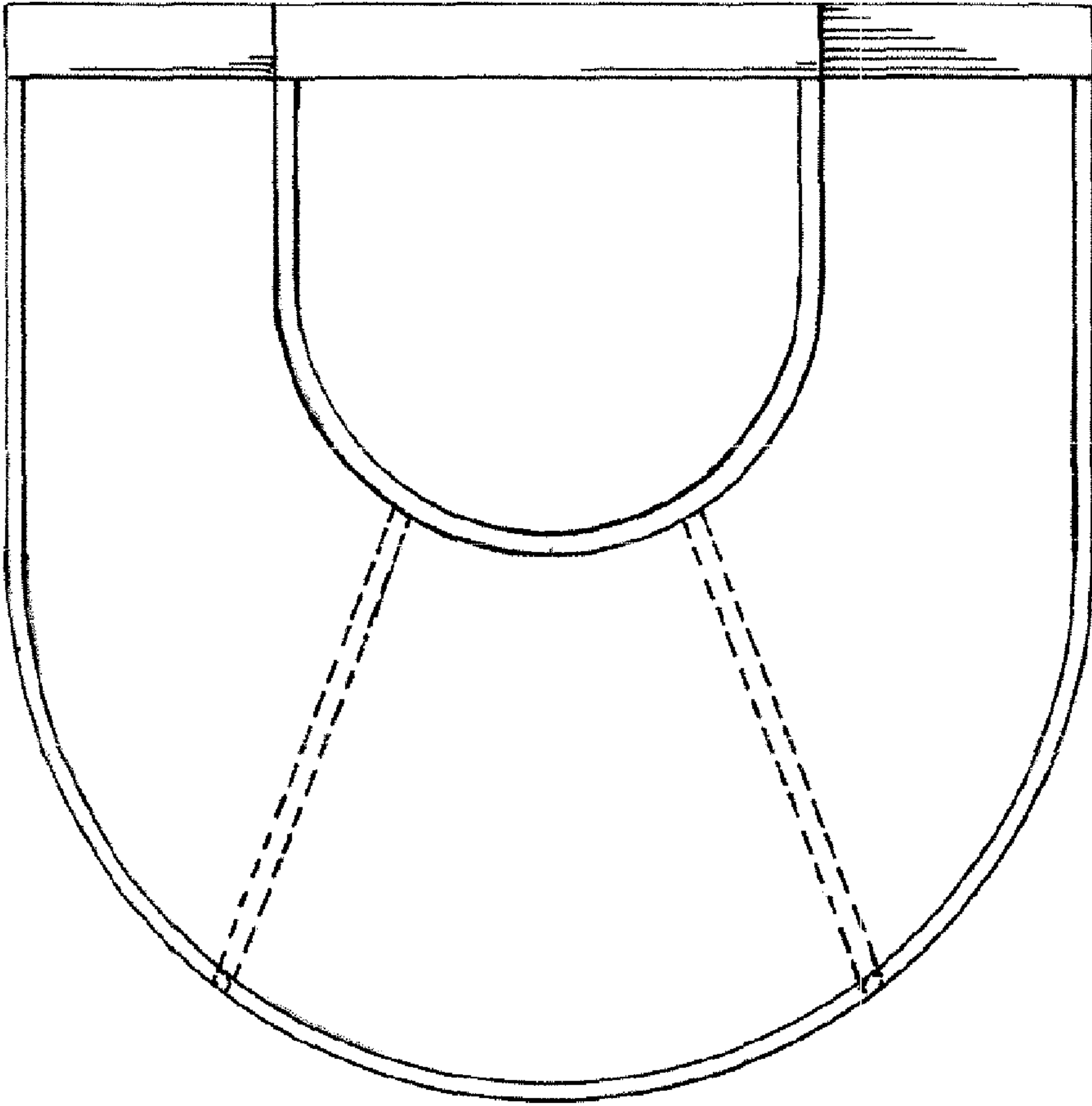
*Fig. 2*



*Fig. 3*



*Fig. 4*



*Fig. 5*