



US00D578187S

(12) **United States Design Patent**
Biagi et al.

(10) **Patent No.:** **US D578,187 S**

(45) **Date of Patent:** **** Oct. 7, 2008**

(54) **HIDDEN SHOWER STORAGE**

D405,517 S * 2/1999 Eeckhoudt D23/283

(75) Inventors: **Angela Rose Biagi**, Chicago, IL (US);
Victor Hoernig, Lowell, IN (US)

* cited by examiner

Primary Examiner—Robert A. Delehanty

(74) *Attorney, Agent, or Firm*—Carlson, Gaskey & Olds PC

(73) Assignee: **American Shower and Bath**,
Moorestown, NJ (US)

(57) **CLAIM**

(**) Term: **14 Years**

The ornamental design for a hidden shower storage, as shown and described.

(21) Appl. No.: **29/296,533**

(22) Filed: **Oct. 23, 2007**

DESCRIPTION

(51) **LOC (8) Cl.** **23-02**

FIG. 1 is a perspective view of shower surround showing our new design;

(52) **U.S. Cl.** **D23/305**

FIG. 2 is a perspective view of the shower surround with the door closed thereof;

(58) **Field of Classification Search** D23/275–277,
D23/304–305; 4/538, 663, 596, 612, 614
See application file for complete search history.

FIG. 3 is a top plan view thereof;

FIG. 4 is front view thereof;

FIG. 5 is an interior side view thereof; and,

FIG. 6 is another interior side view thereof.

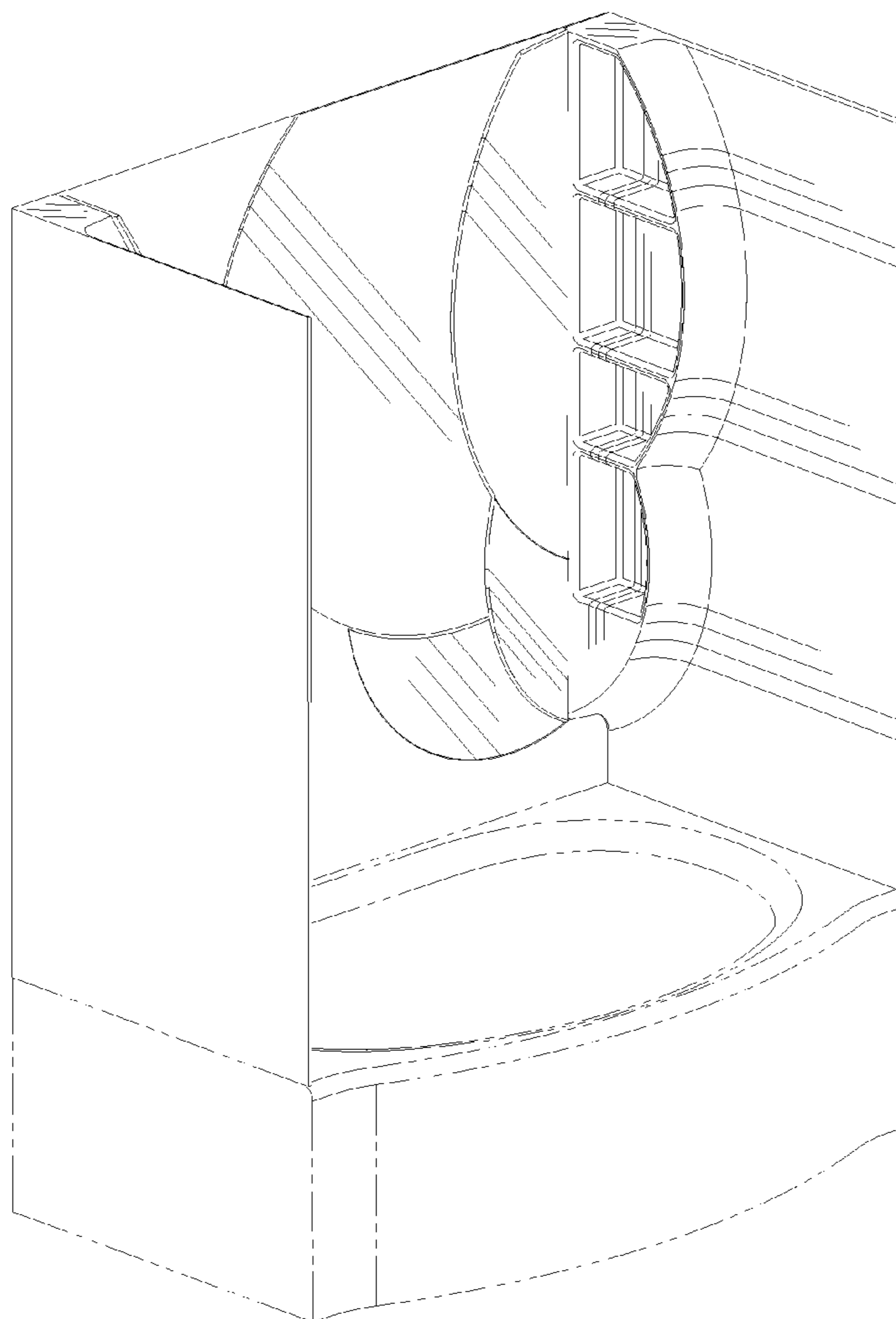
(56) **References Cited**

U.S. PATENT DOCUMENTS

4,384,376	A *	5/1983	Shrode	4/607
4,541,131	A *	9/1985	Sussman	4/596
D380,528	S *	7/1997	D'Andrea	D23/283
D383,198	S *	9/1997	Jacuzzi et al.	D23/275

The broken lines showing of a tub are for illustrative purposes and form no part of the claimed design.

1 Claim, 4 Drawing Sheets



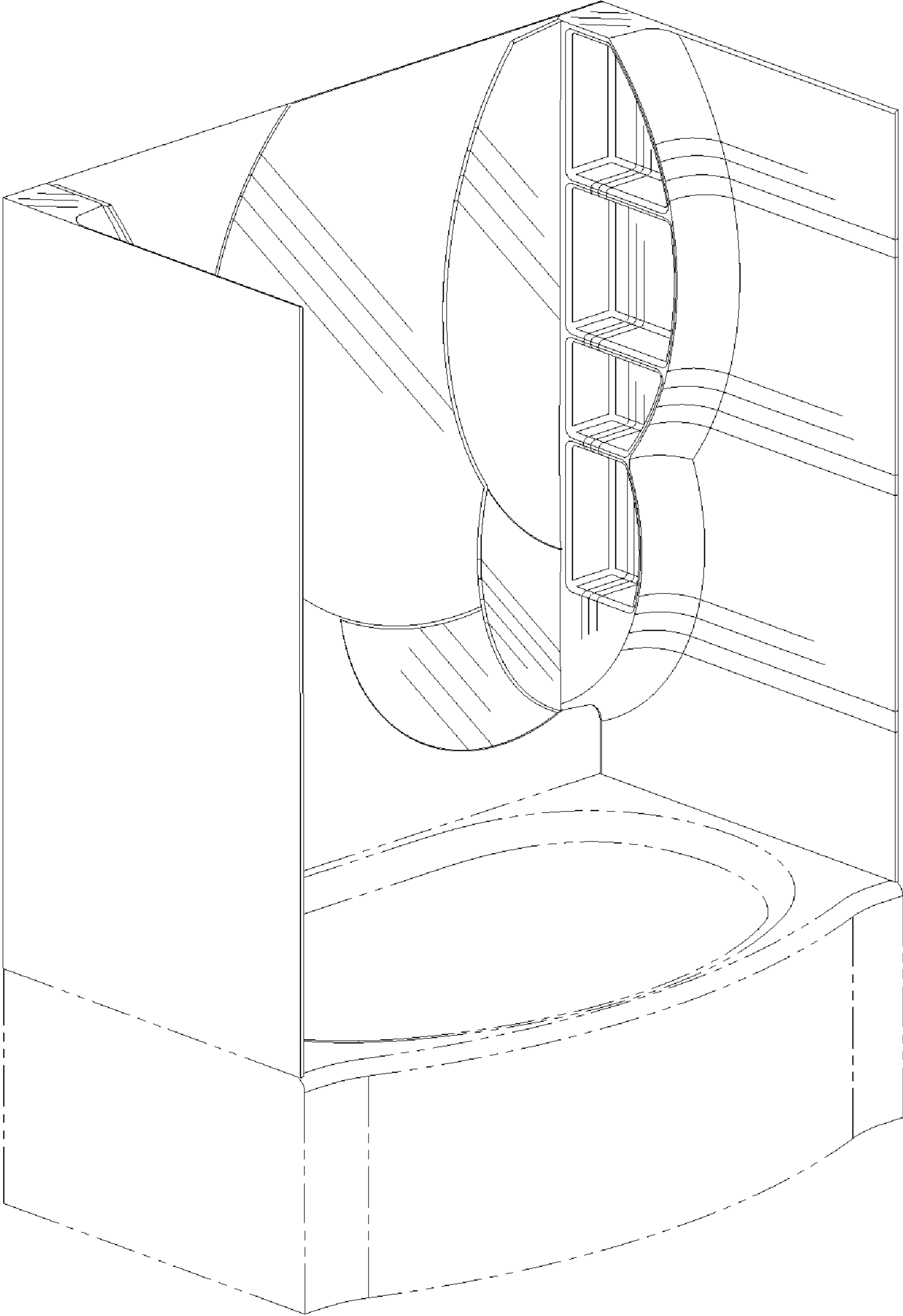


Fig-1

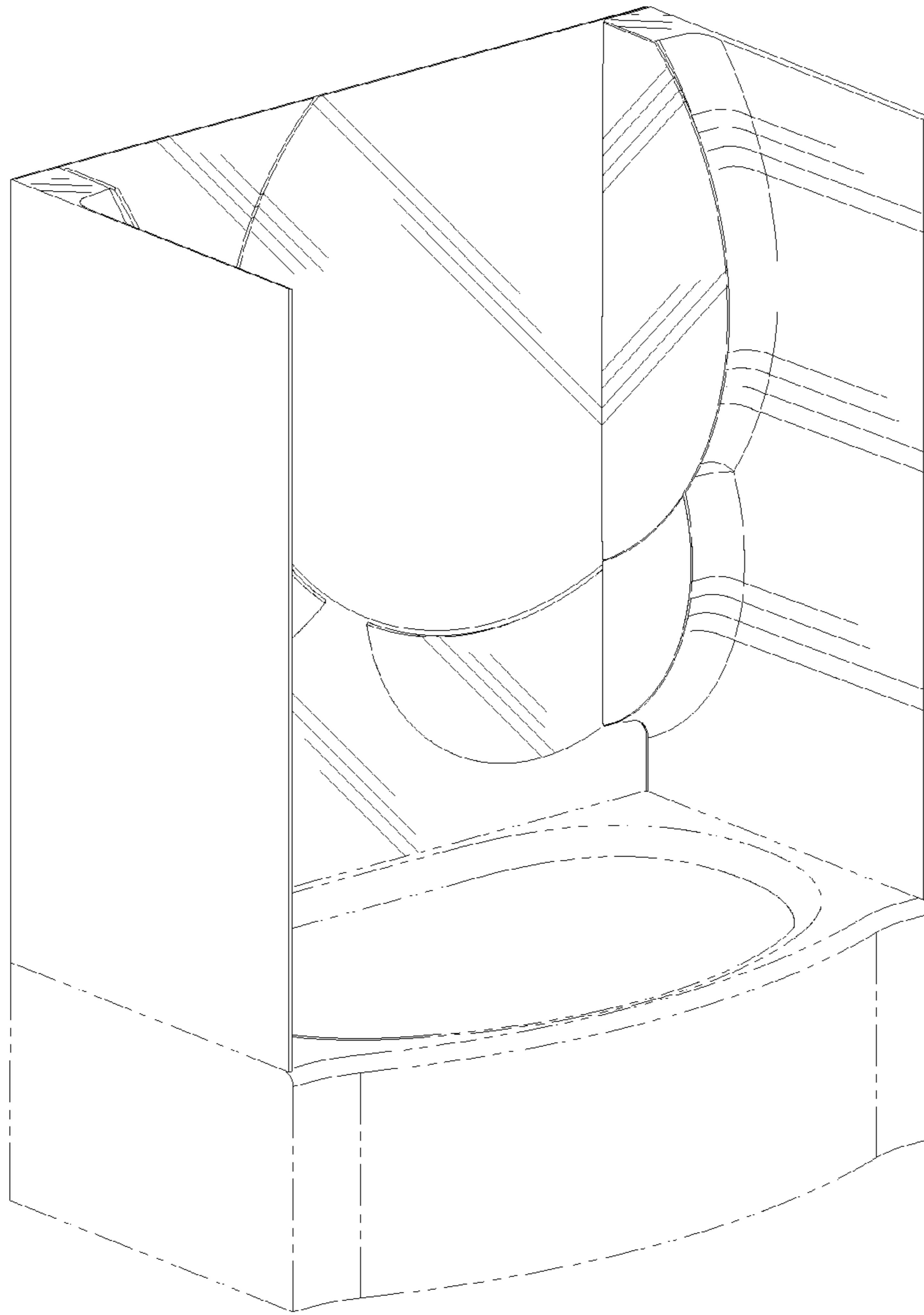


Fig-2

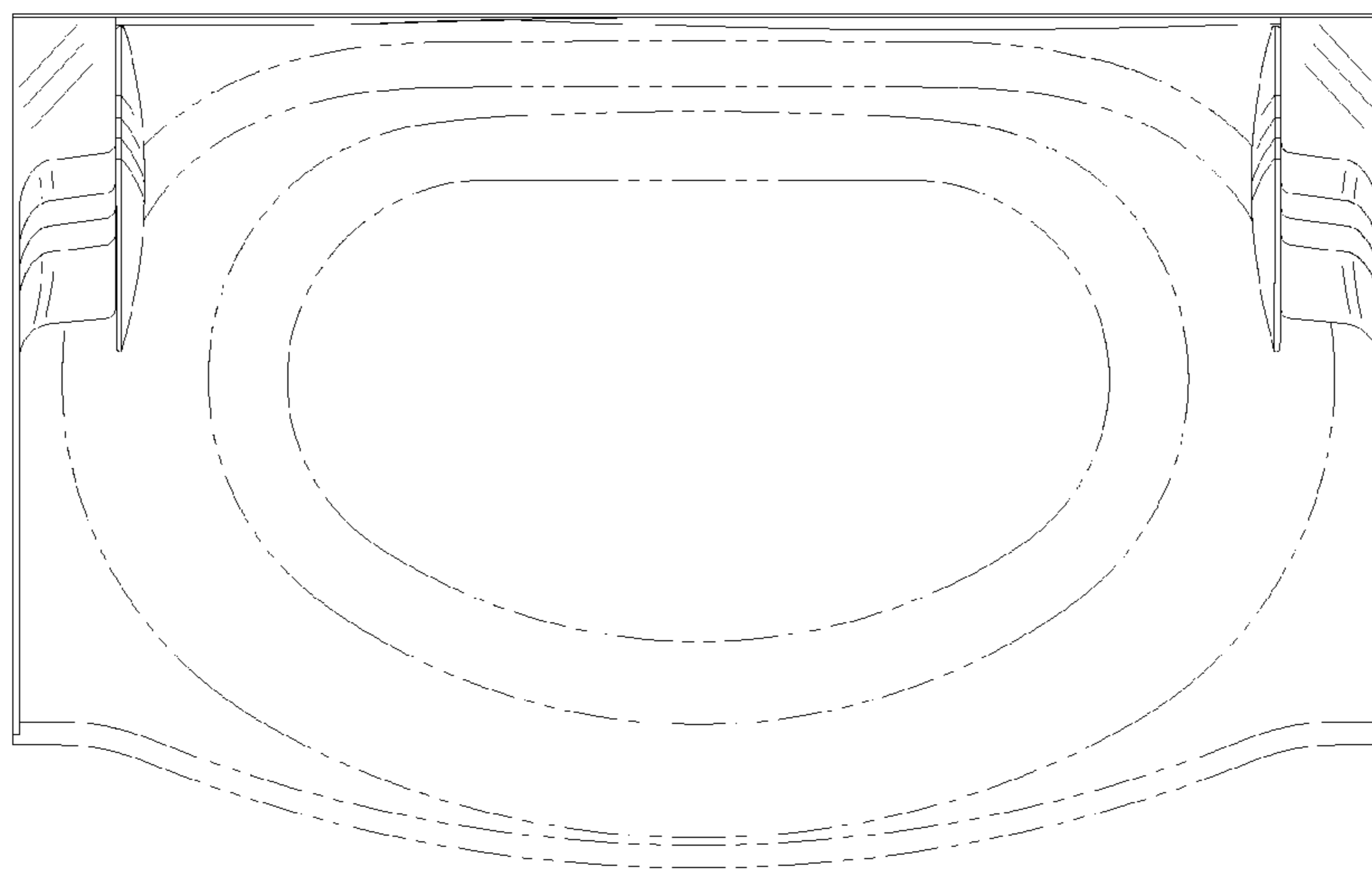


Fig-3

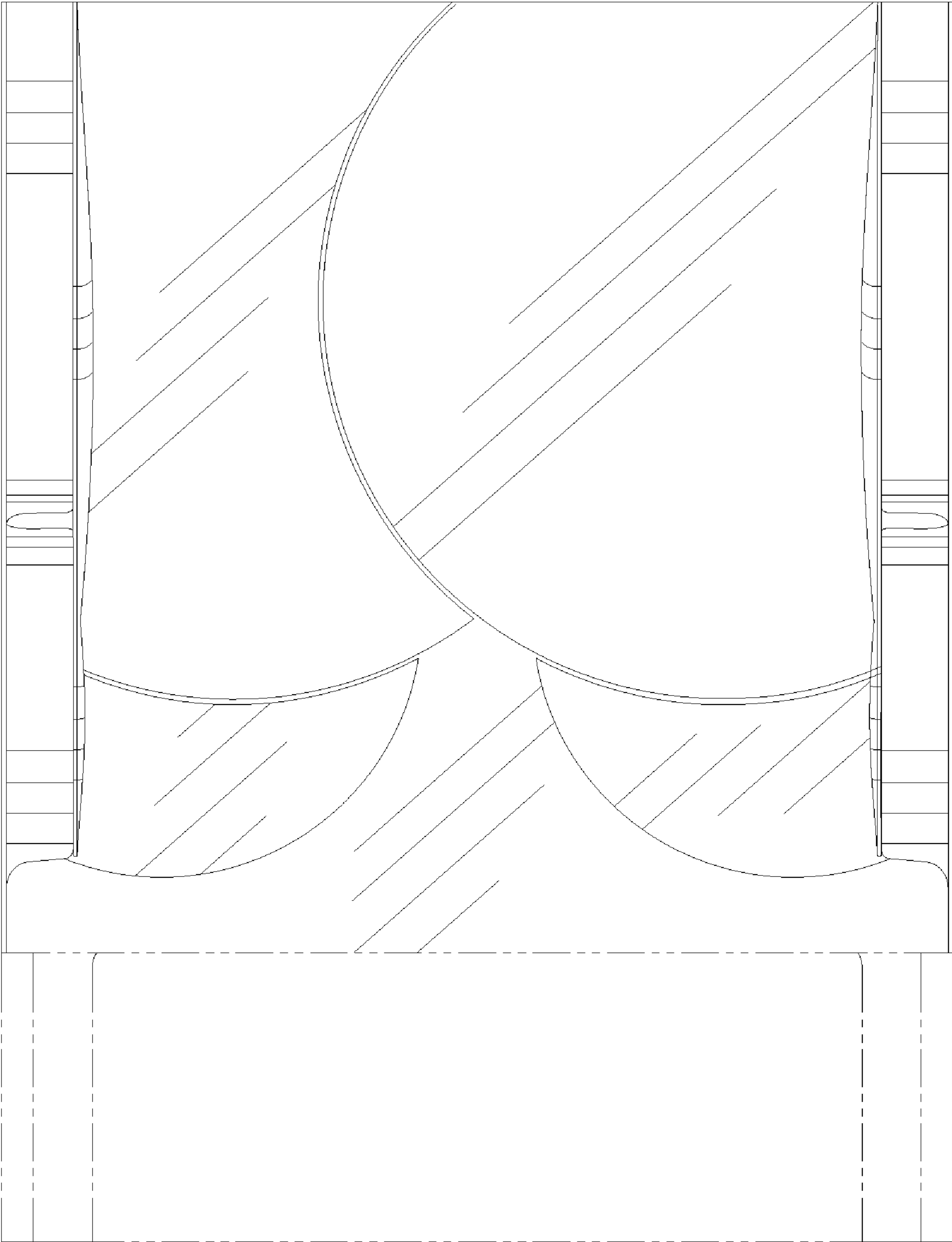


Fig-4

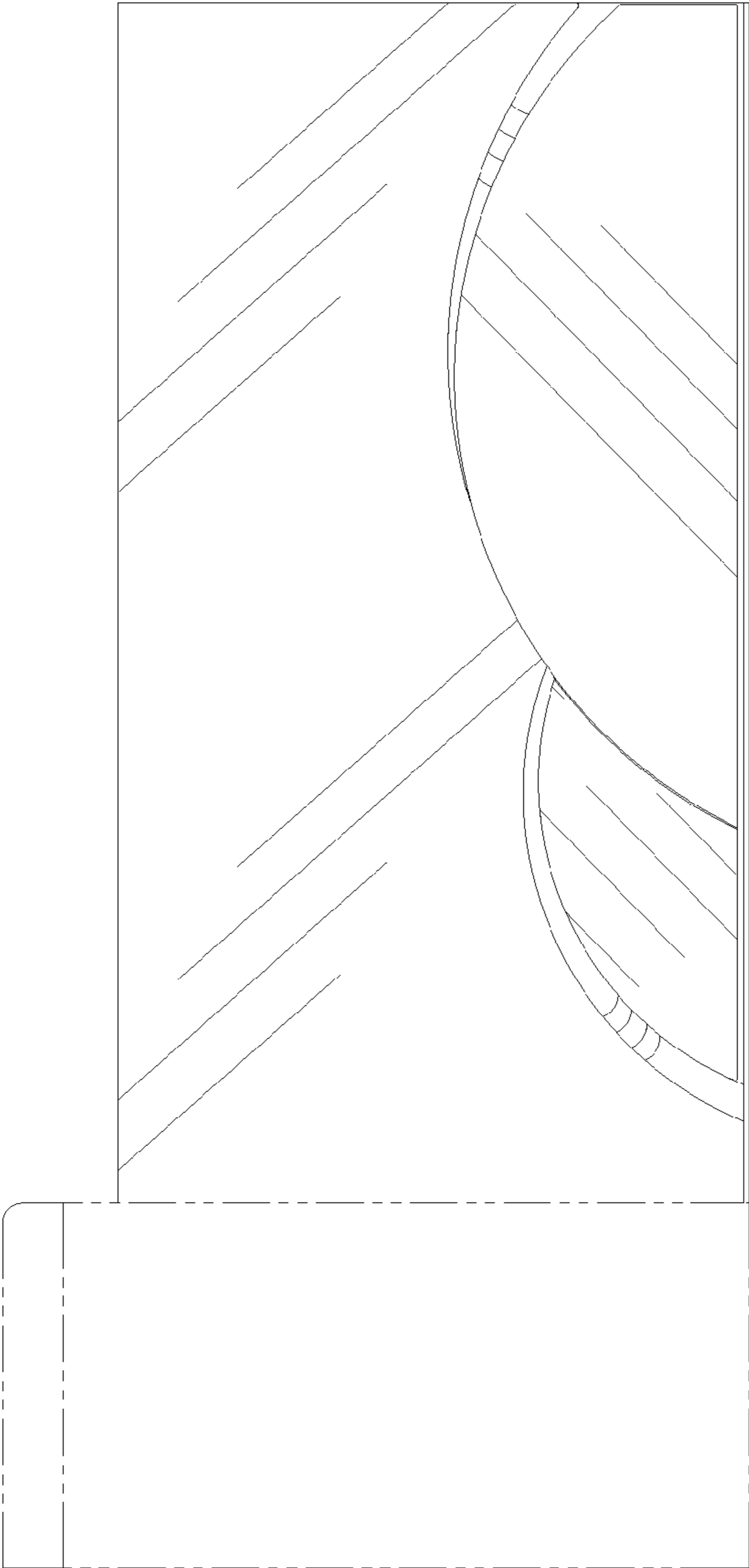


Fig-5

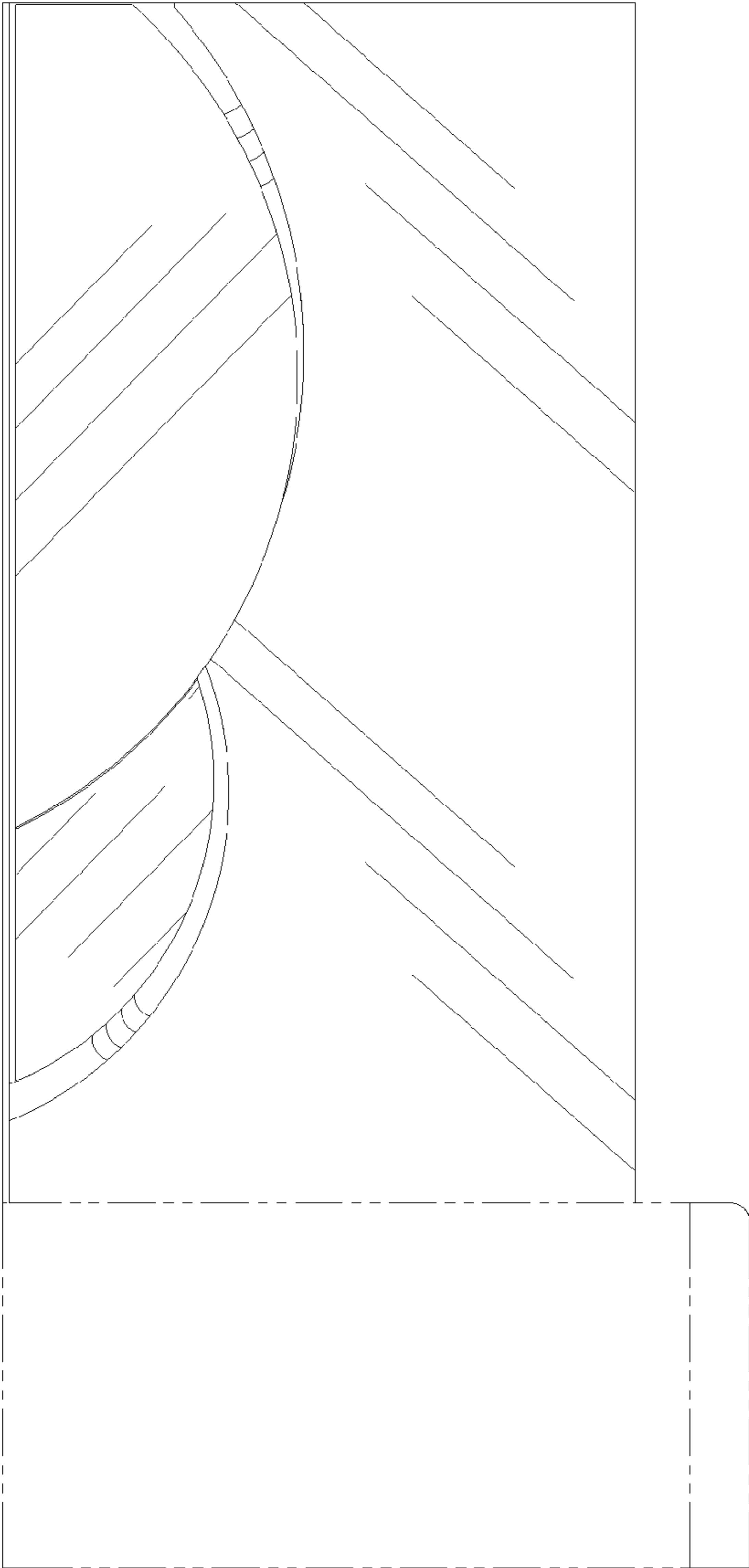


Fig-6