



US00D578184S

(12) **United States Design Patent**
Kitzmilller

(10) **Patent No.:** **US D578,184 S**

(45) **Date of Patent:** **** Oct. 7, 2008**

(54) **SINK**

(75) Inventor: **Anne Kitzmilller**, Sheboygan, WI (US)

(73) Assignee: **Kohler Co.**, Kohler, WI (US)

(**) Term: **14 Years**

(21) Appl. No.: **29/279,841**

(22) Filed: **May 8, 2007**

(51) **LOC (8) Cl.** **23-01**

(52) **U.S. Cl.** **D23/287**

(58) **Field of Classification Search** D23/284,
D23/287, 290, 293.1, 308; 4/619, 631, 637
See application file for complete search history.

(56) **References Cited**

U.S. PATENT DOCUMENTS

1,366,910	A	2/1921	Hegrat	
2,060,855	A	11/1936	Davock	
4,110,851	A	9/1978	Rapatel	
D313,841	S	1/1991	Bulthaup	
5,755,498	A *	5/1998	Cutler	312/235.1
D463,538	S	9/2002	Chipperfield	
6,502,254	B1	1/2003	De Menna	
D535,368	S	1/2007	Nelson	

OTHER PUBLICATIONS

Blanco. "BlancoPrecision 10 Single Bowl with Drainer" Homeportfolio online catalog. Copyright 1997-2007 HomePortfolio Inc.

CitiSink. "Sonoma Cast Stone" Homeportfolio online catalog. Copyright 1997-2007 HomePortfolio Inc.

Kohler. "Poise—Double Equal" sink. Kohler catalog, p. 15.38. Copyright 2004 Kohler Co.

MR 402 03 099. "Sink". Wila Verlag GmbH—Alle Rechte vorbehalten, no date.

* cited by examiner

Primary Examiner—Robert A Delehanty

(74) *Attorney, Agent, or Firm*—Quarles & Brady LLP

(57) **CLAIM**

The ornamental design for a sink, as shown and described.

DESCRIPTION

In a preferred embodiment, the nature of this product is as a sink, in the form of a sink basin and sink basin and drawer assembly, primarily useful for washing kitchen items and other objects.

FIG. 1 is a right, top, front perspective view of a sink according to my new design;

FIG. 2 is a top plan view thereof;

FIG. 3 is a front elevational view thereof;

FIG. 4 is a right side elevational view thereof;

FIG. 5 is a left side elevational view thereof;

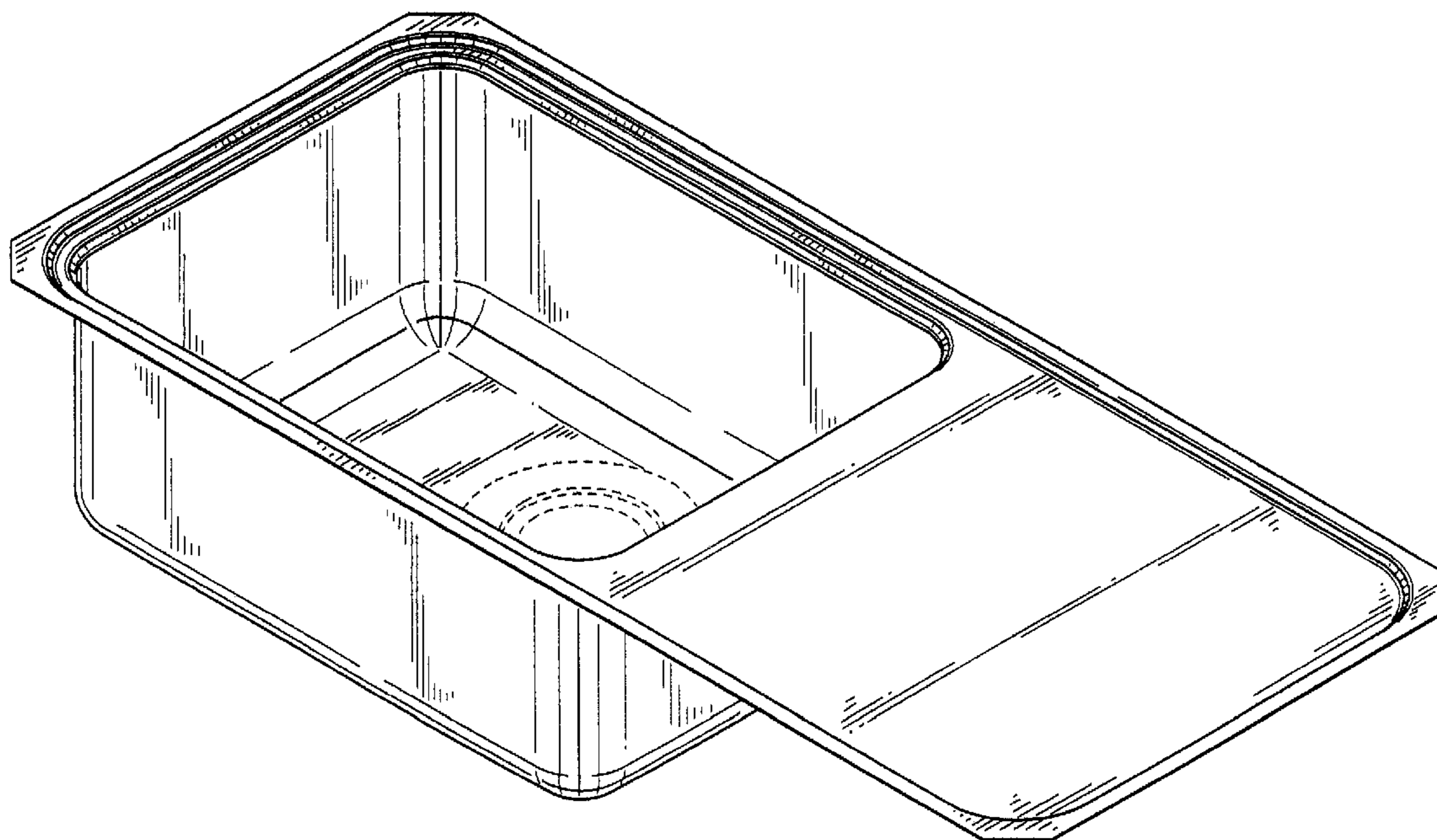
FIG. 6 is a rear elevational view thereof;

FIG. 7 is a bottom plan view thereof; and,

FIG. 8 is a left, top, front perspective view of a sink according to another embodiment of my new design, the views thereof being mirror images of the views shown in respective FIGS. 2–7.

The broken line representations in the figures are for the purpose of illustration only, and form no part of the claimed design.

1 Claim, 6 Drawing Sheets



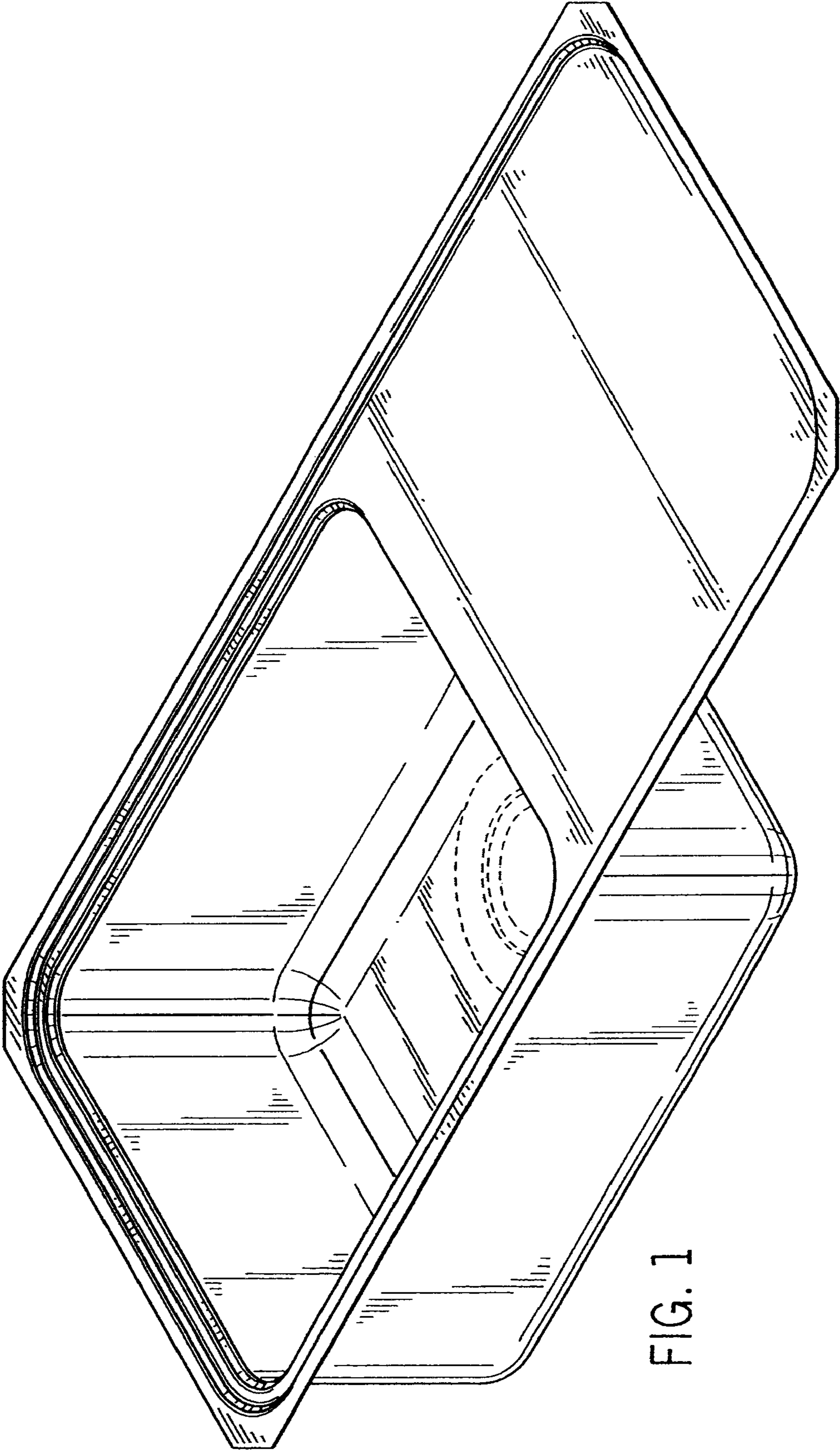


FIG. 1

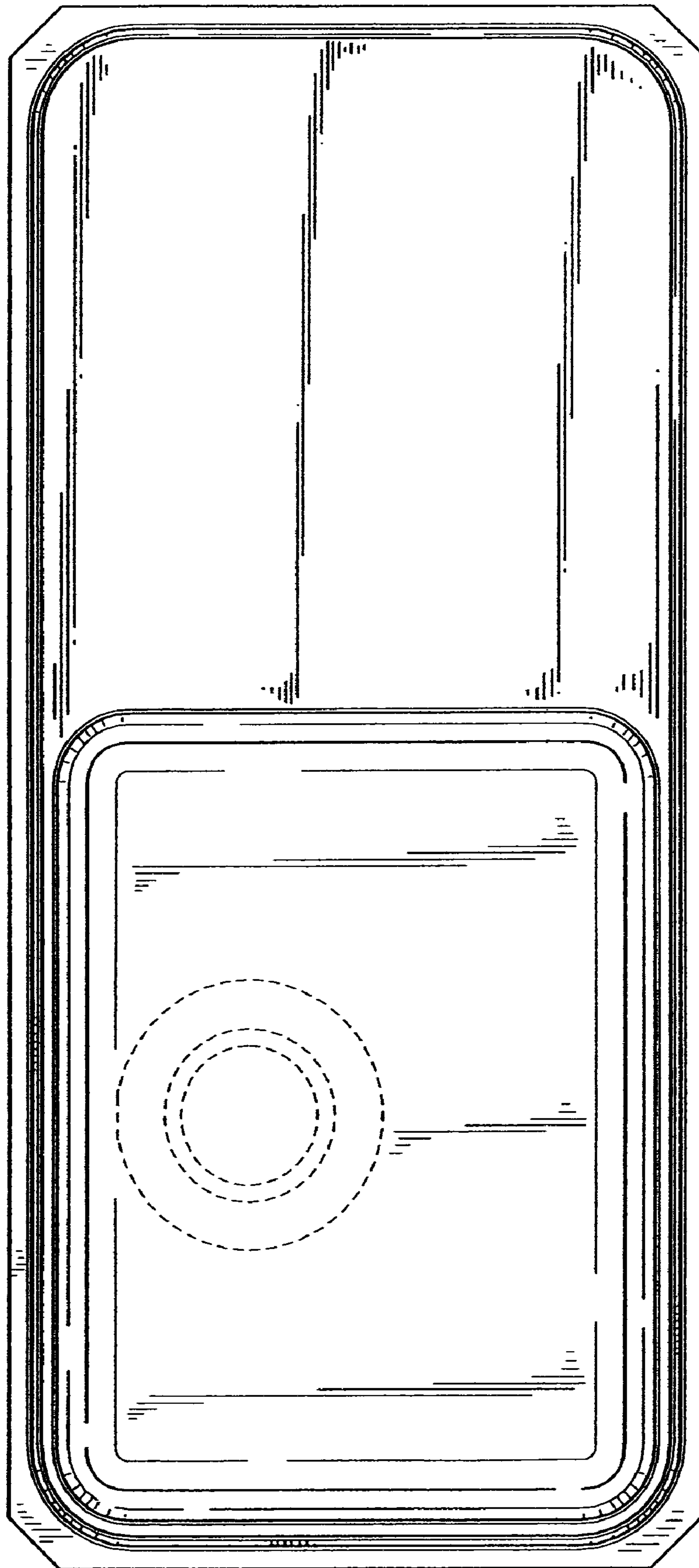


FIG. 2

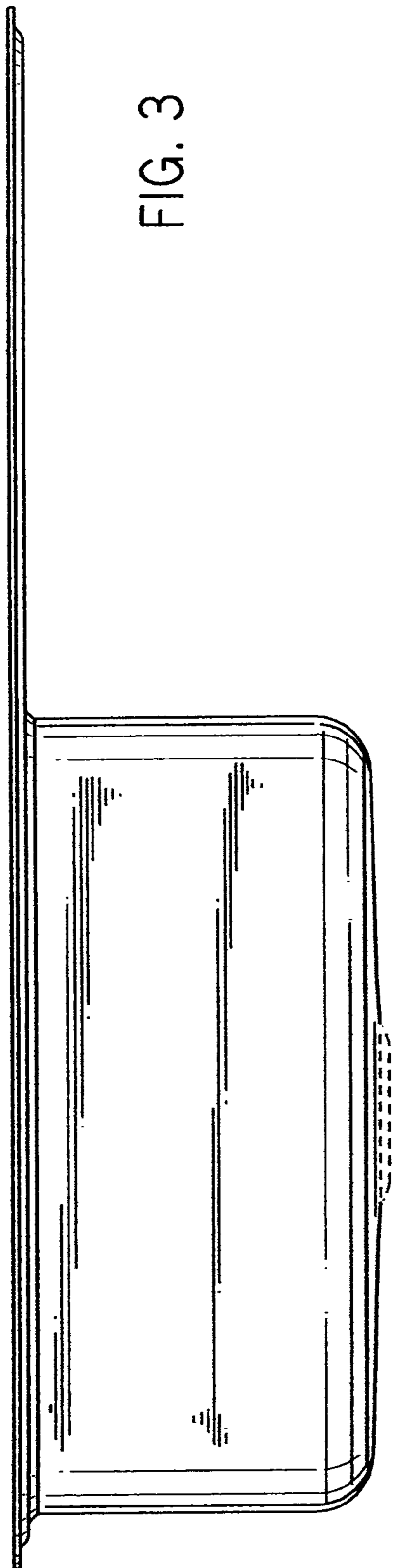


FIG. 3

FIG. 5

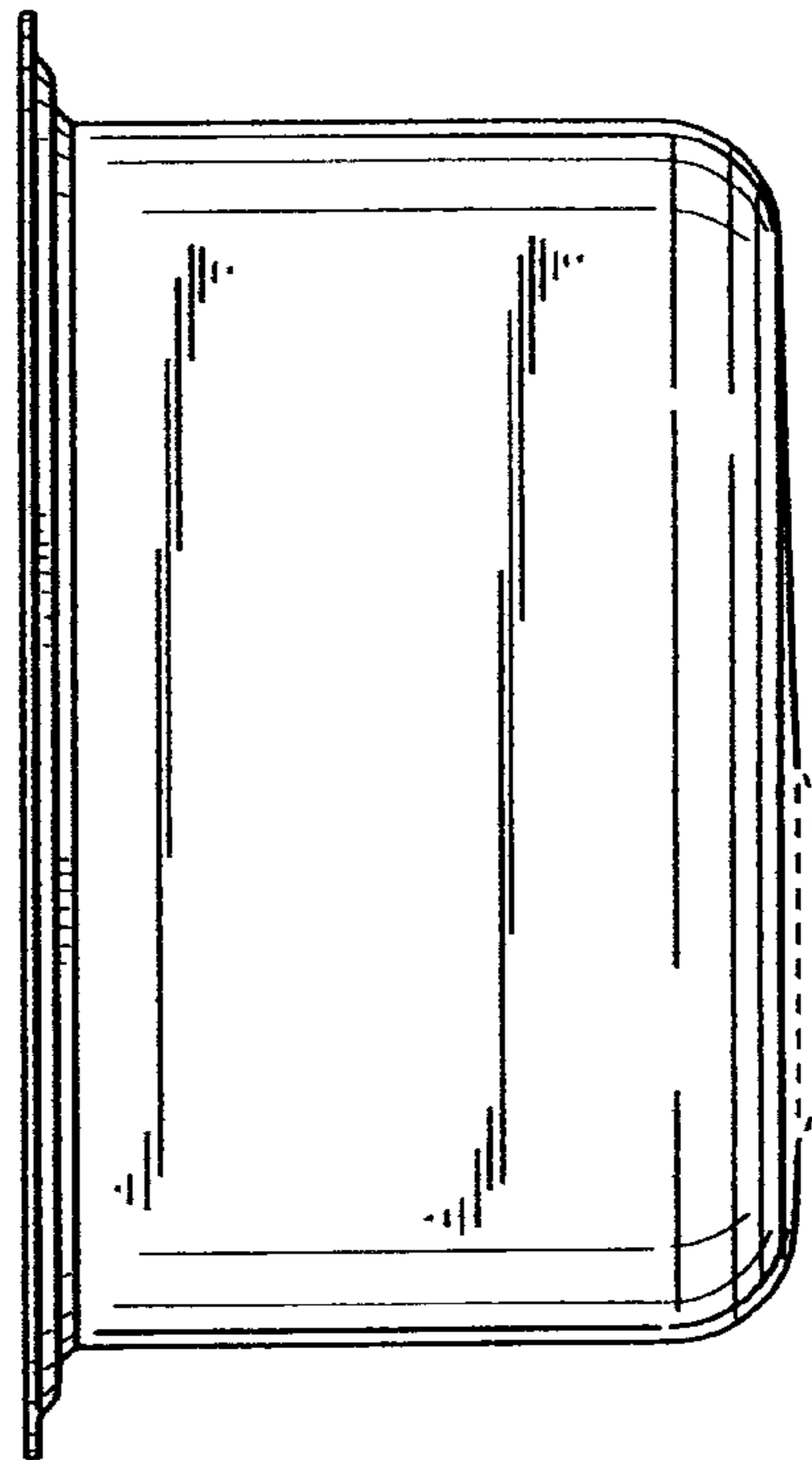
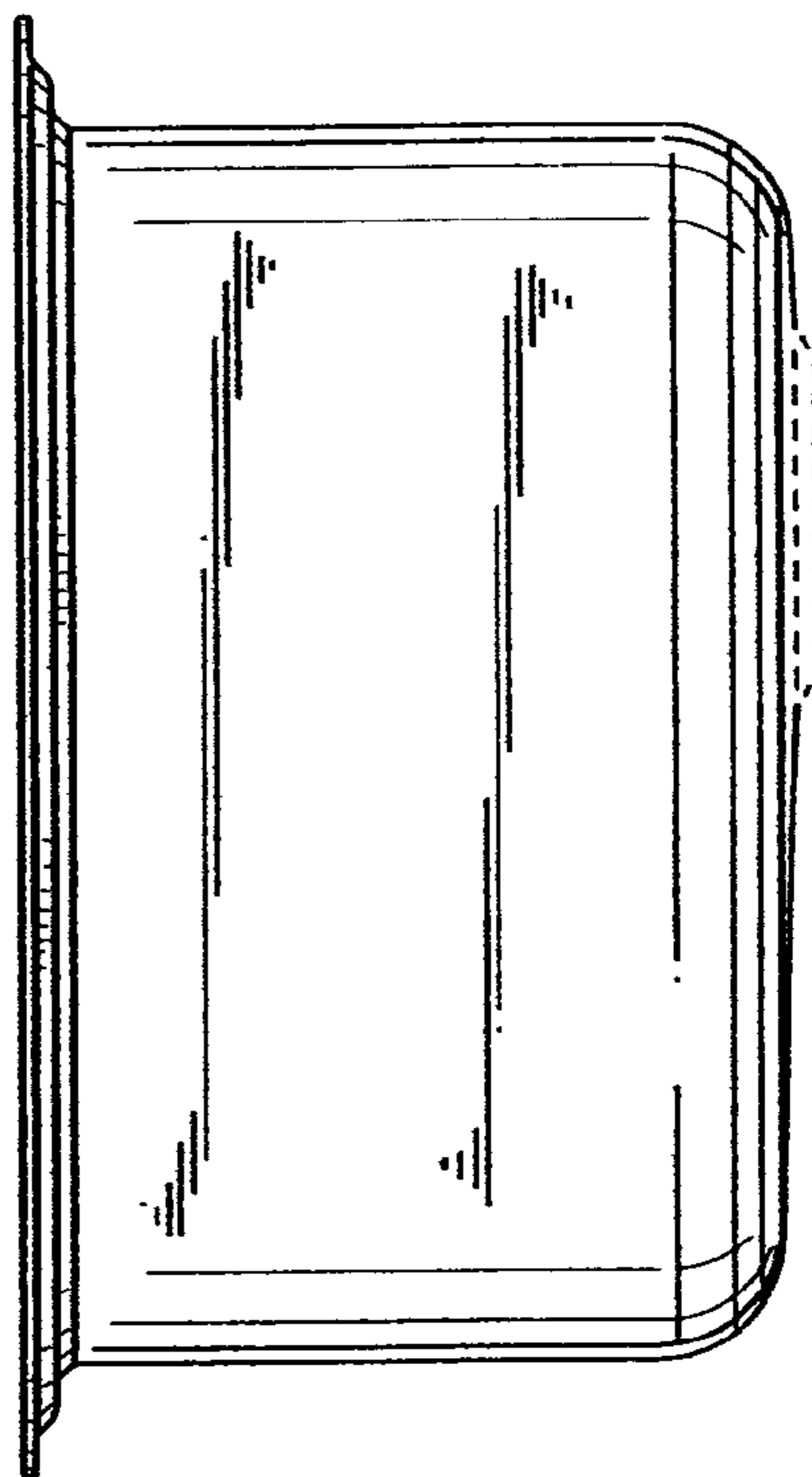


FIG. 4



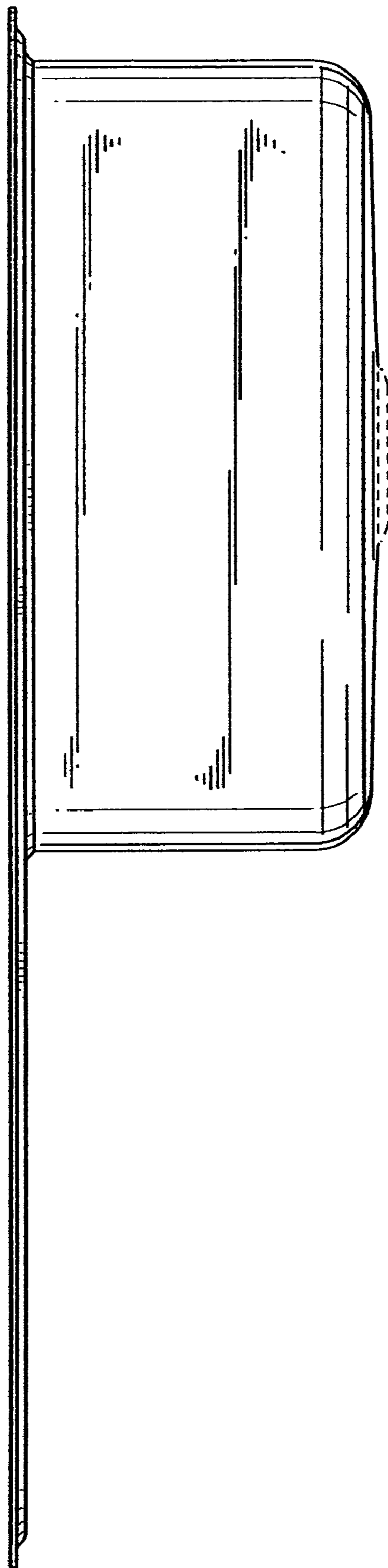


FIG. 6

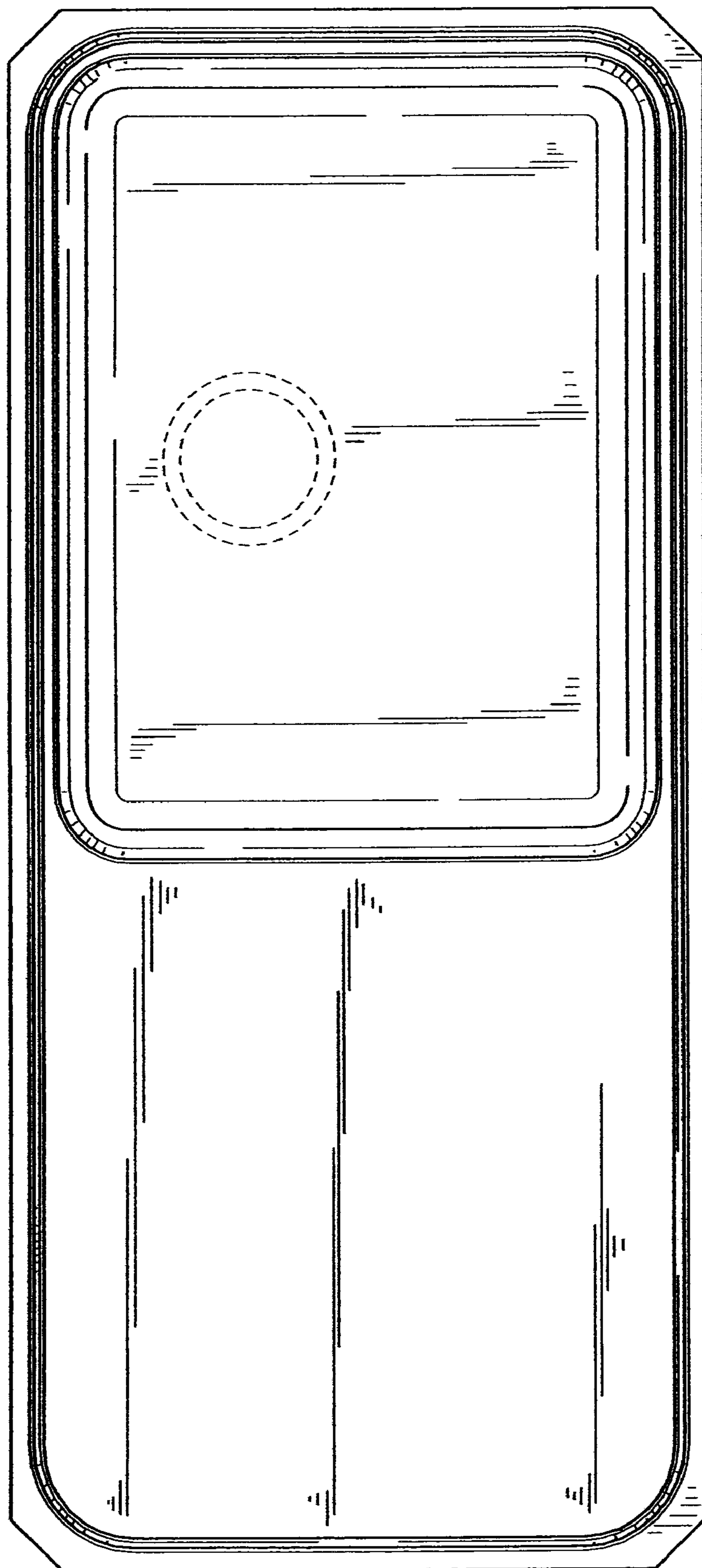


FIG. 7

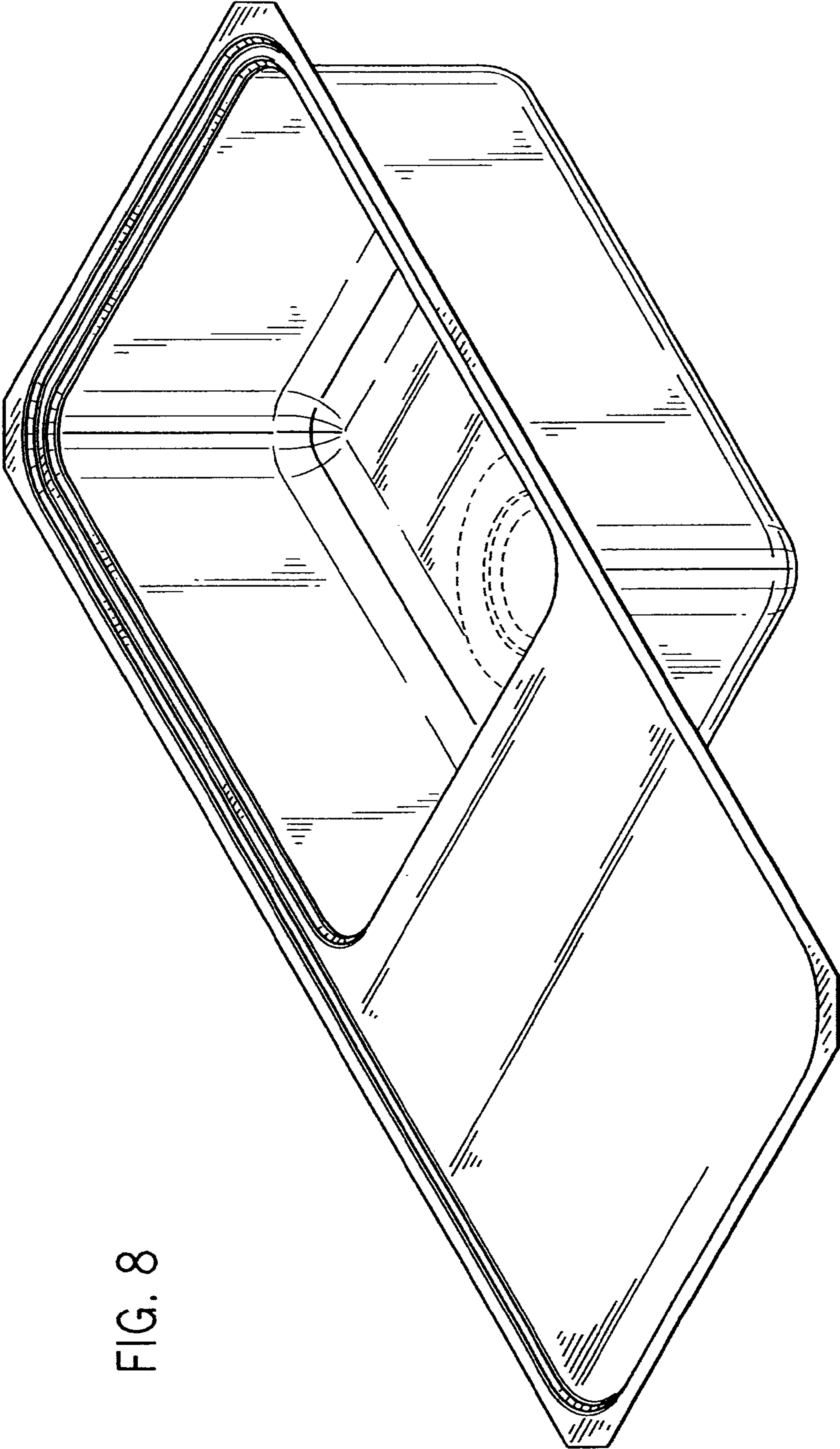


FIG. 8