



US00D578183S

(12) **United States Design Patent**
Lee

(10) **Patent No.:** **US D578,183 S**
(45) **Date of Patent:** **** Oct. 7, 2008**

(54) **SINK FIXTURE**

(75) Inventor: **William A. Lee**, Wheaton, IL (US)

(73) Assignee: **Marcoll International Corp.**, Omaha, NE (US)

(**) Term: **14 Years**

(21) Appl. No.: **29/269,427**

(22) Filed: **Nov. 30, 2006**

(51) **LOC (8) Cl.** **23-01**

(52) **U.S. Cl.** **D23/238**

(58) **Field of Classification Search** D8/305,
D8/310, 321, 322; 4/678, 677, 675; D23/238,
D23/242, 243, 244, 245, 249, 250, 251
See application file for complete search history.

(56) **References Cited**

U.S. PATENT DOCUMENTS

| | | | | | |
|-----------|-----|---------|-----------------|-------|---------|
| 2,057,231 | A * | 10/1936 | Dawson | | 251/231 |
| 2,171,023 | A | 8/1939 | Buxton | | |
| 2,188,216 | A * | 1/1940 | Beecher | | 251/156 |
| 3,707,404 | A | 12/1972 | Carlson et al. | | |
| 3,765,455 | A | 10/1973 | Countryman | | |
| 3,871,406 | A | 3/1975 | Anderson | | |
| 4,084,620 | A | 4/1978 | Bucknell et al. | | |

| | | | | | |
|-----------|-----|---------|----------------|-------|---------|
| D319,865 | S * | 9/1991 | Hardman | | D23/251 |
| D385,015 | S * | 10/1997 | Mawdsley | | D23/241 |
| 6,067,670 | A | 5/2000 | Eddy et al. | | |
| 6,360,770 | B1 | 3/2002 | Buchner et al. | | |
| 6,775,866 | B1 | 8/2004 | Martir et al. | | |
| 6,918,400 | B2 | 7/2005 | Buchner et al. | | |

* cited by examiner

Primary Examiner—Robert M. Spear

Assistant Examiner—Ania K Dworzecka

(74) *Attorney, Agent, or Firm*—Patterson Thunte, Skaar & Christensen, PA

(57) **CLAIM**

I claim the ornamental design for sink fixture, as shown and described.

DESCRIPTION

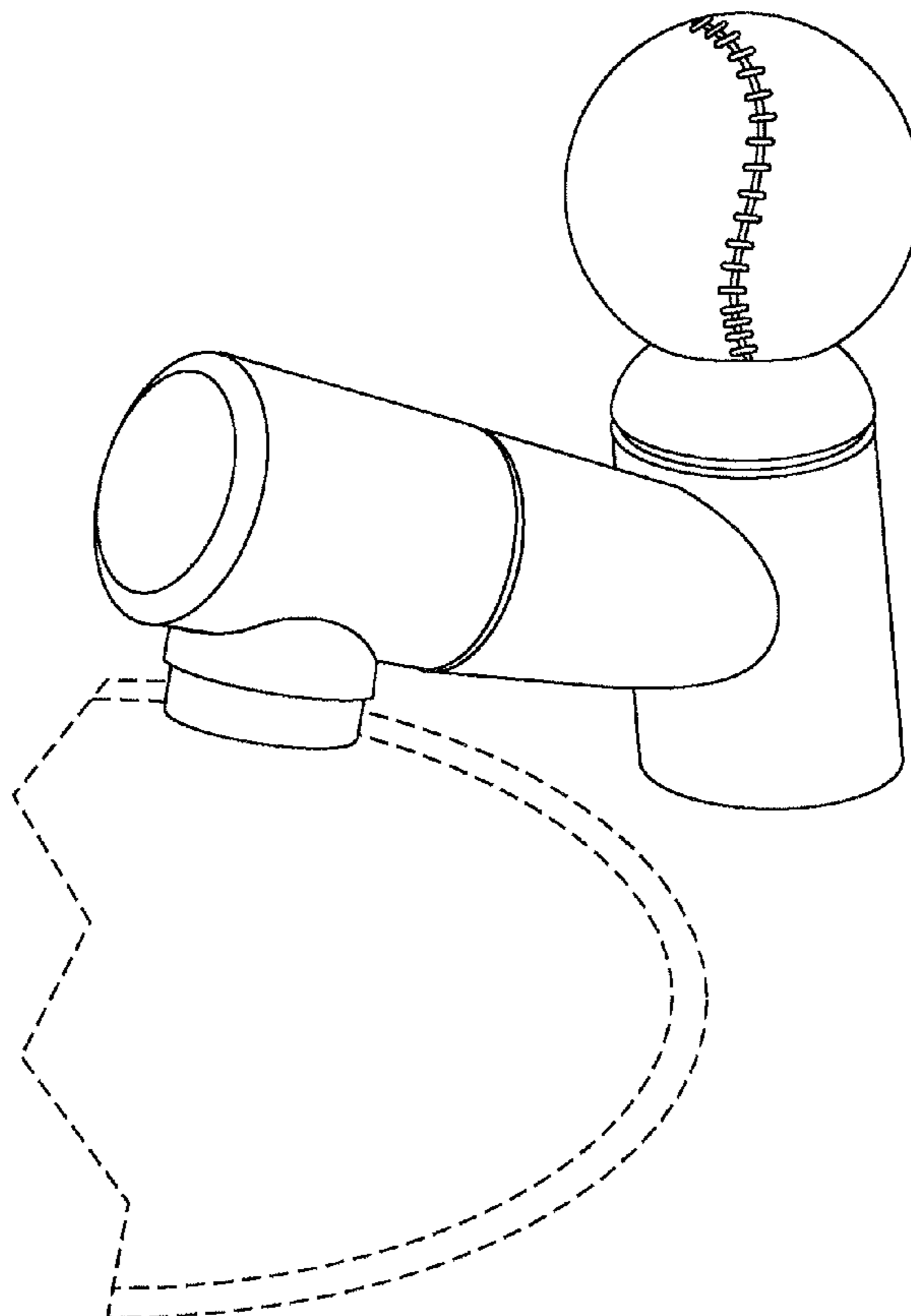
FIG. 1 is a front, perspective view of an embodiment of a sink fixture according to the invention;

FIG. 2 is a top plan view of the sink fixture of FIG. 1; and,

FIG. 3 is a left side elevation view of the sink fixture of FIG. 1.

In the drawings, the broken lines depict environmental subject matter only and form no part of the claimed design.

1 Claim, 2 Drawing Sheets



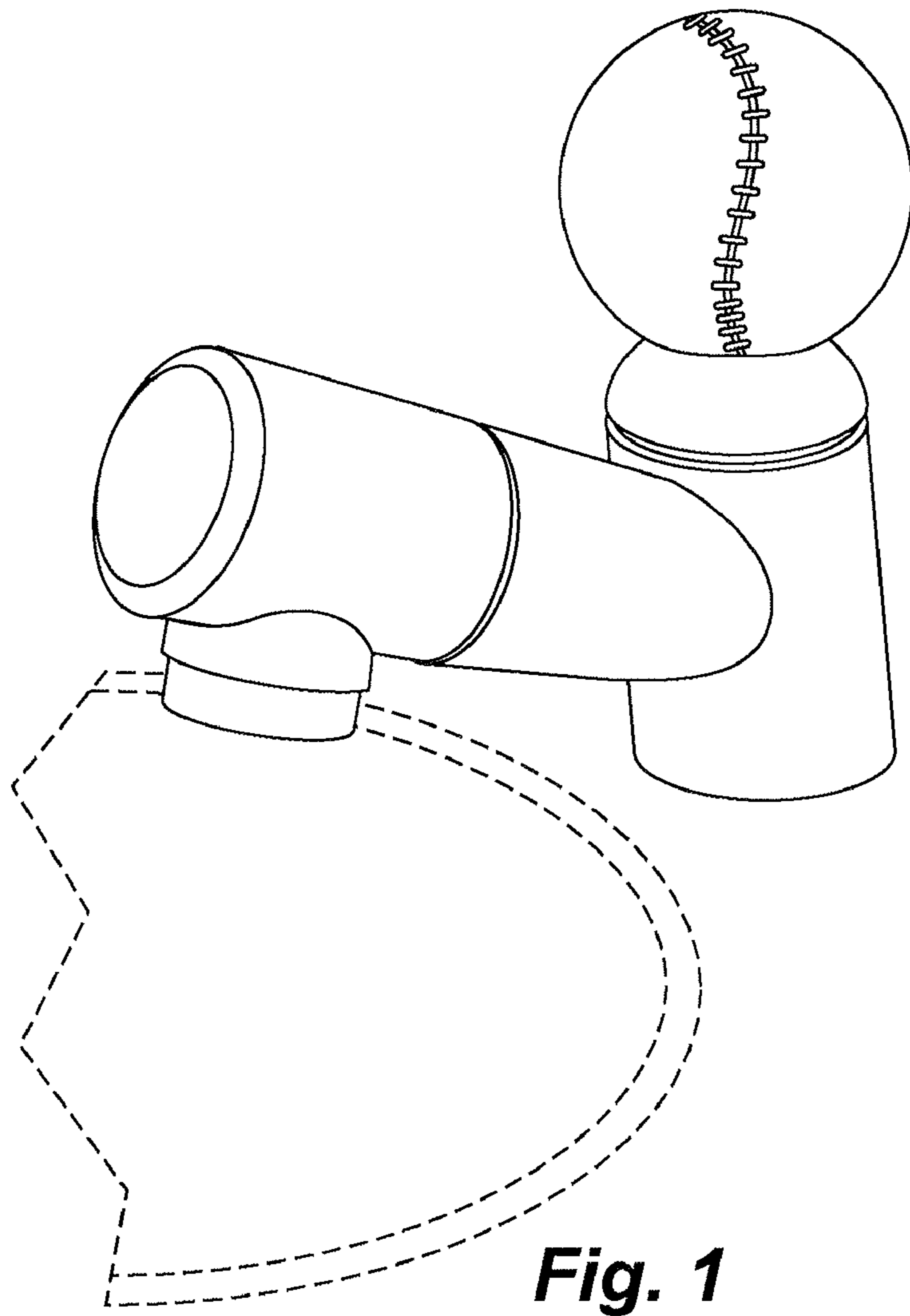
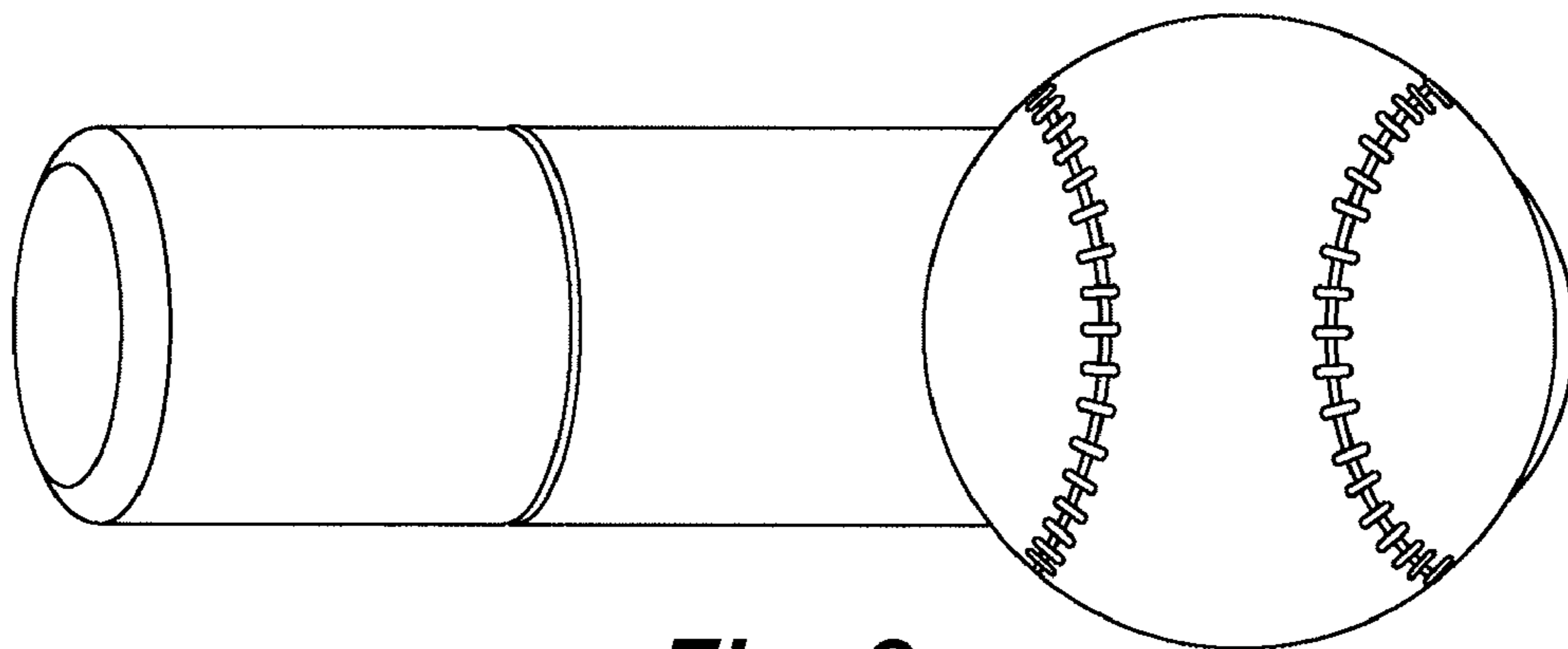


Fig. 2



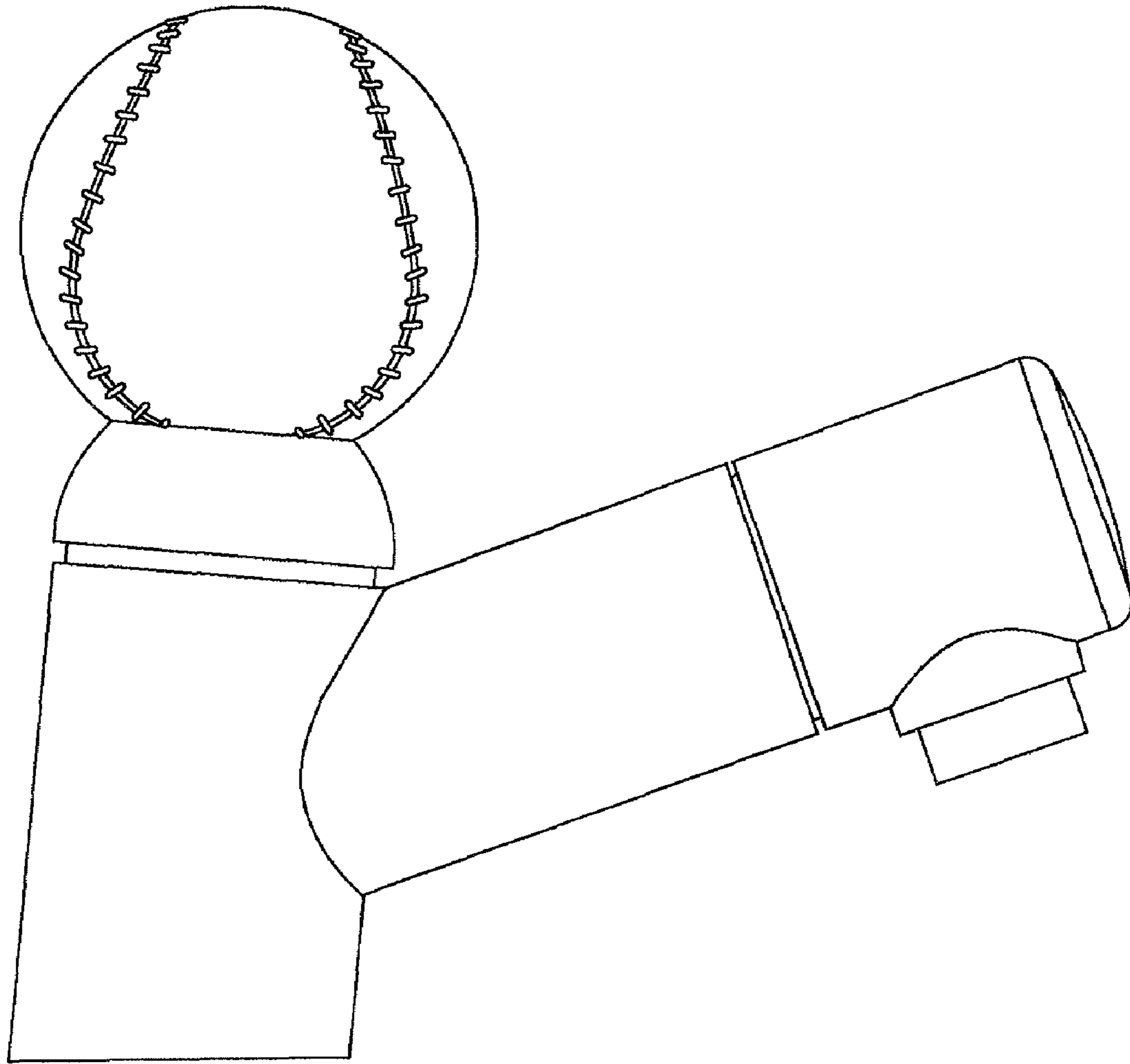


Fig. 3