



US00D578182S

(12) **United States Design Patent**
Moran et al.

(10) **Patent No.:** **US D578,182 S**
(45) **Date of Patent:** **** Oct. 7, 2008**

(54) **SPRAYER WITH INTERCHANGEABLE PRESSURE HEAD**

D347,047 S * 5/1994 Wood D23/225

* cited by examiner

(76) Inventors: **Dean Moran**, 461 Ware Corner Rd.,
Oakham, MA (US) 01068; **Andrew Waskiewicz**, 9 Waters St., Millbury, MA
(US) 01527

Primary Examiner—Robin V Webster
(74) *Attorney, Agent, or Firm*—William Nitkin

(**) Term: **14 Years**

(57) **CLAIM**

(21) Appl. No.: **29/293,050**

The ornamental design for a sprayer with interchangeable pressure head, as shown and described.

(22) Filed: **Nov. 8, 2007**

DESCRIPTION

(51) **LOC (8) Cl.** **23-01**

FIG. 1 is a front elevational view of a sprayer with interchangeable pressure head showing our new design;

(52) **U.S. Cl.** **D23/225**

FIG. 2 is a rear elevational view thereof;

(58) **Field of Classification Search** D23/213,
D23/225; 239/332, 337

FIG. 3 is a right side elevational view thereof;

See application file for complete search history.

FIG. 4 is a left side elevational view thereof;

FIG. 5 is a top plan view thereof;

(56) **References Cited**

FIG. 6 is a bottom plan view thereof; and,

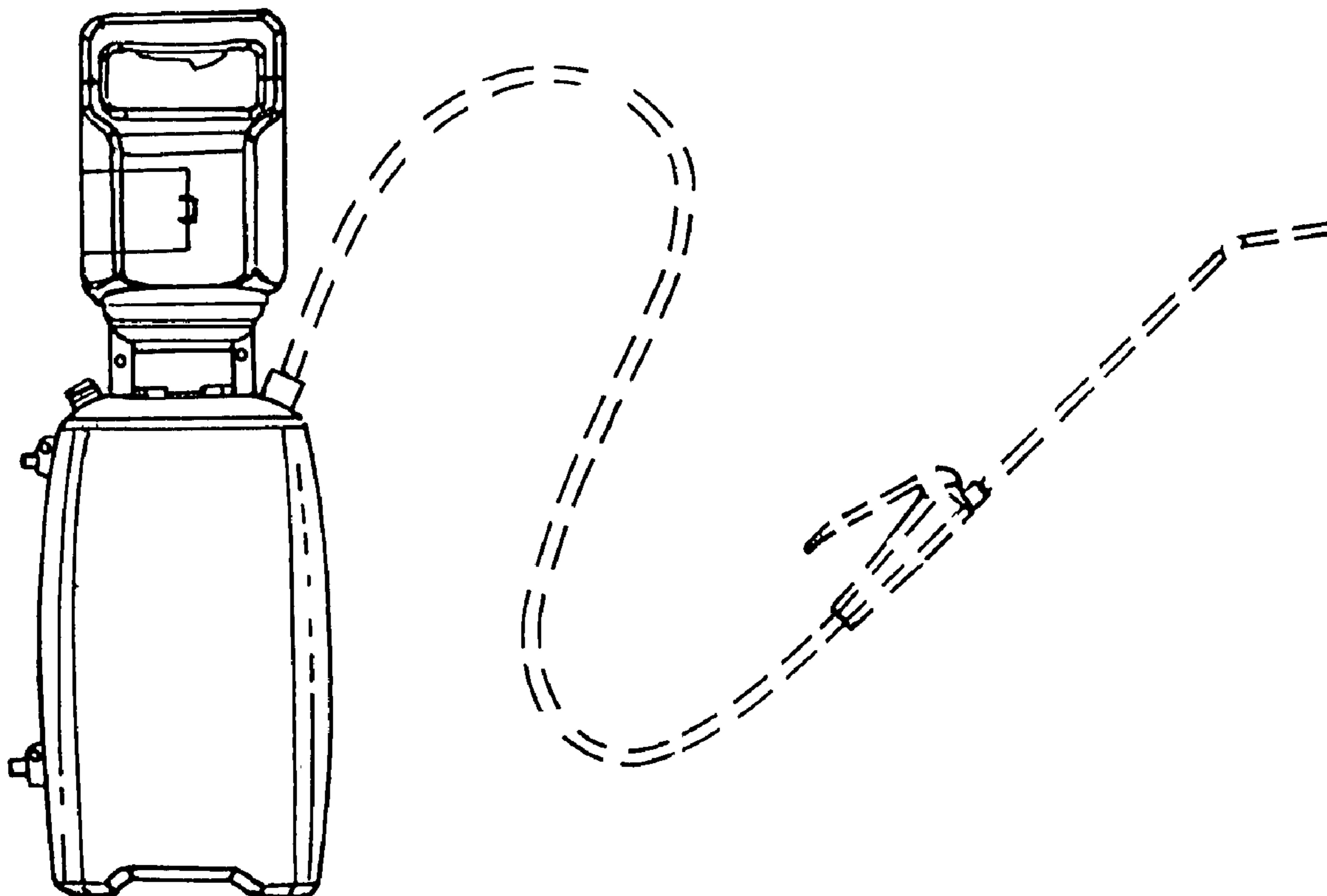
U.S. PATENT DOCUMENTS

FIG. 7 is a front perspective view thereof.

- D286,906 S * 11/1986 Gibbs D23/225
- 4,790,454 A * 12/1988 Clark et al. 222/136
- D312,297 S * 11/1990 Ballu D23/225
- D327,528 S * 6/1992 Sears et al. D23/225

The hose shown in dashed lines is for illustrative purposes only and forms no part of the claimed design.

1 Claim, 3 Drawing Sheets



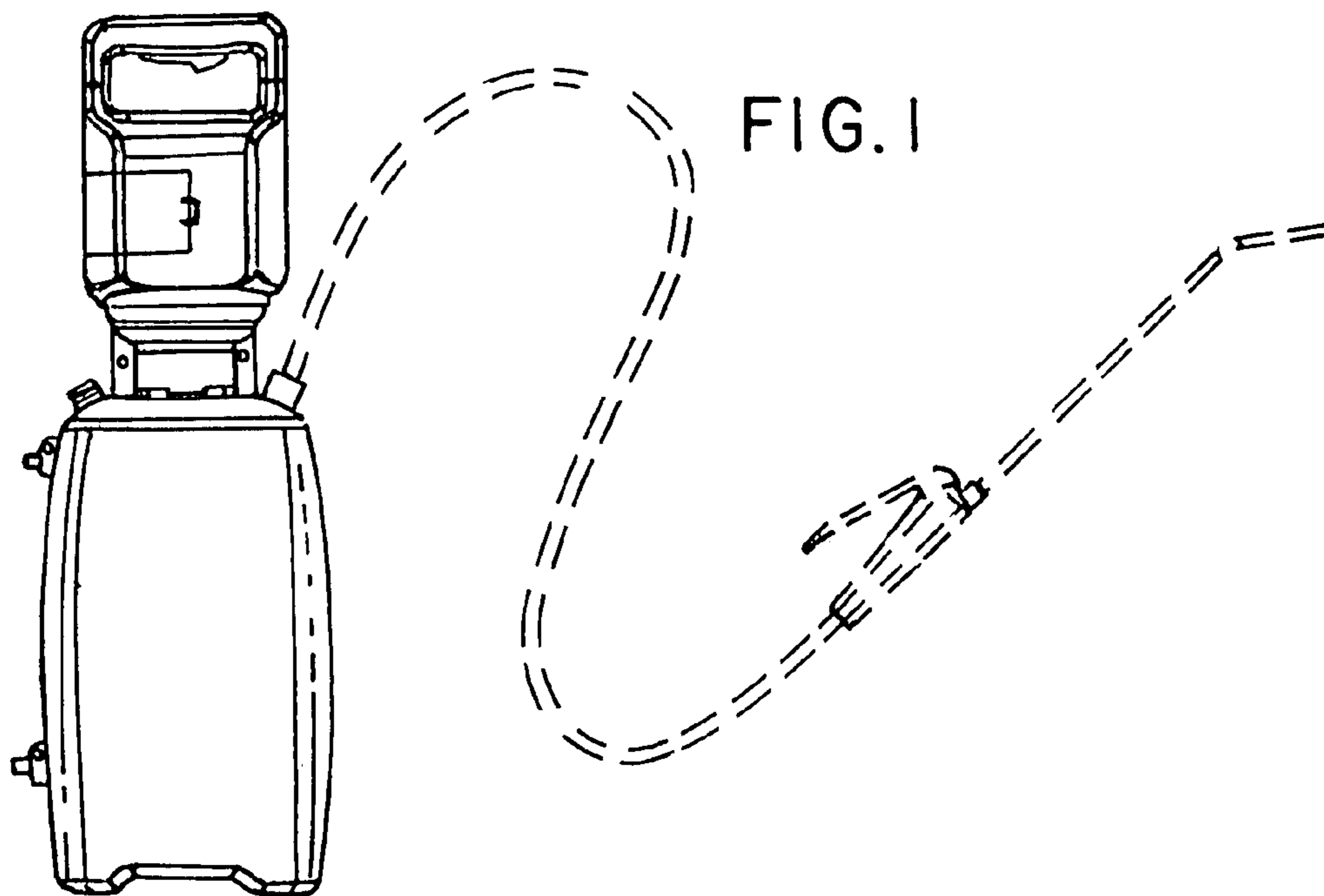


FIG. 1

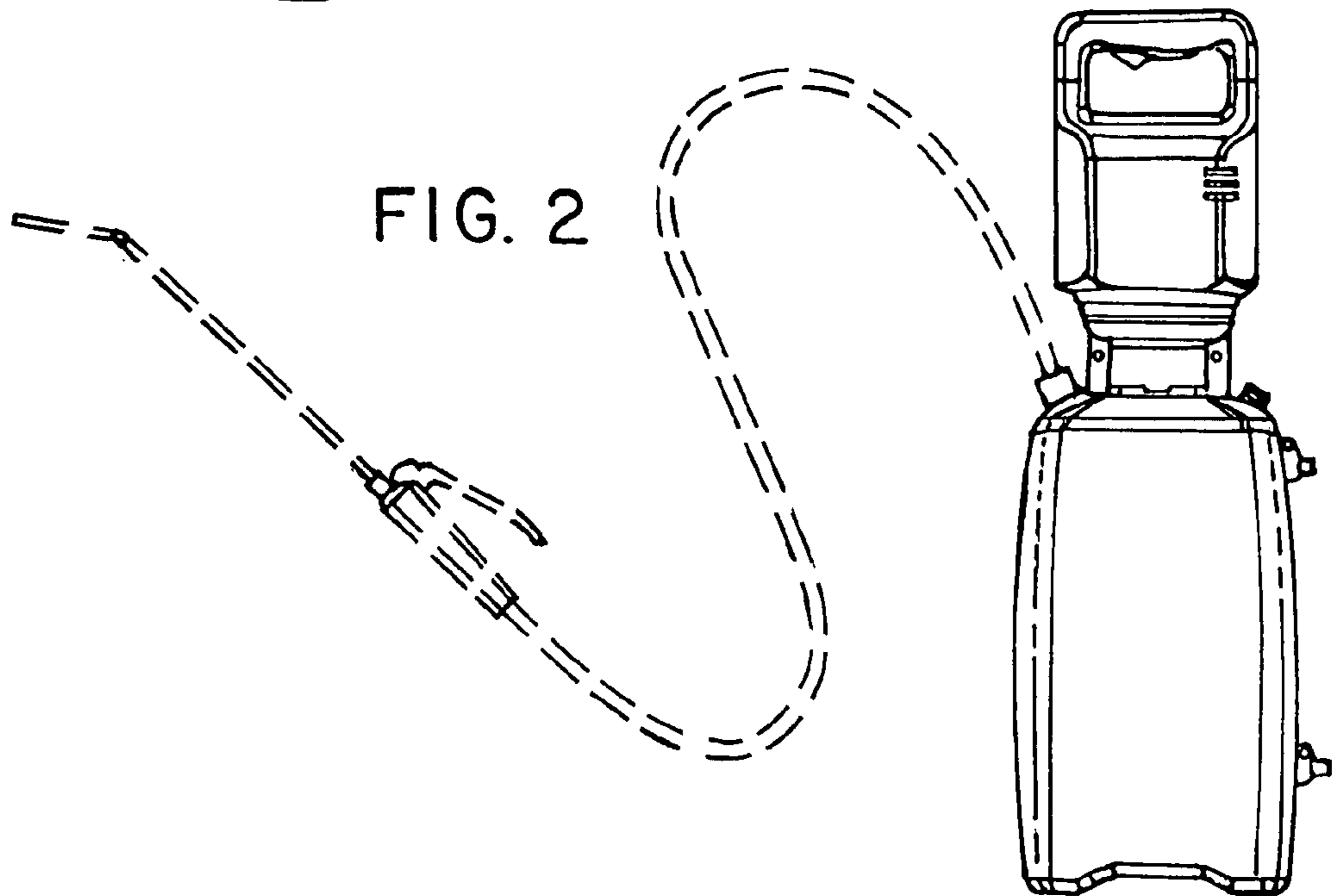


FIG. 2

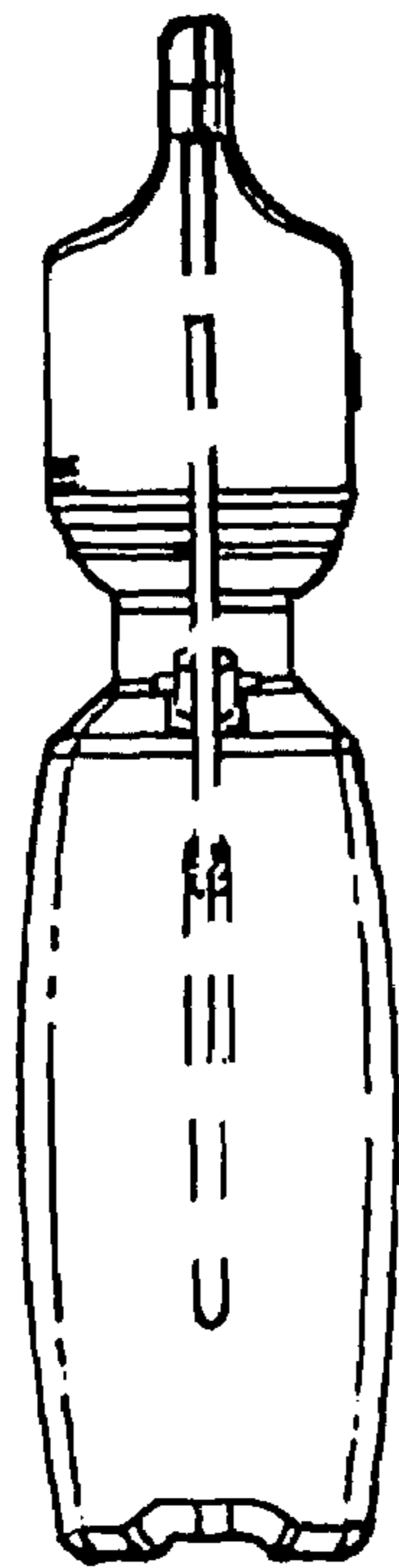


FIG. 3



FIG. 4

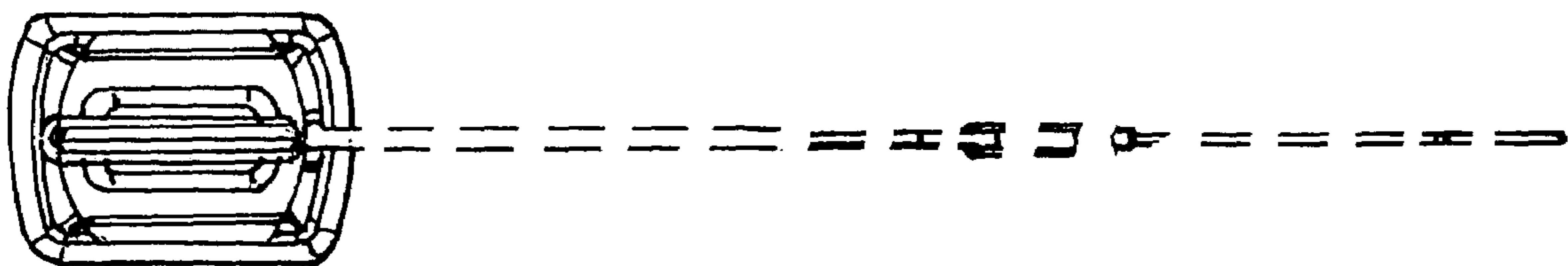


FIG. 5

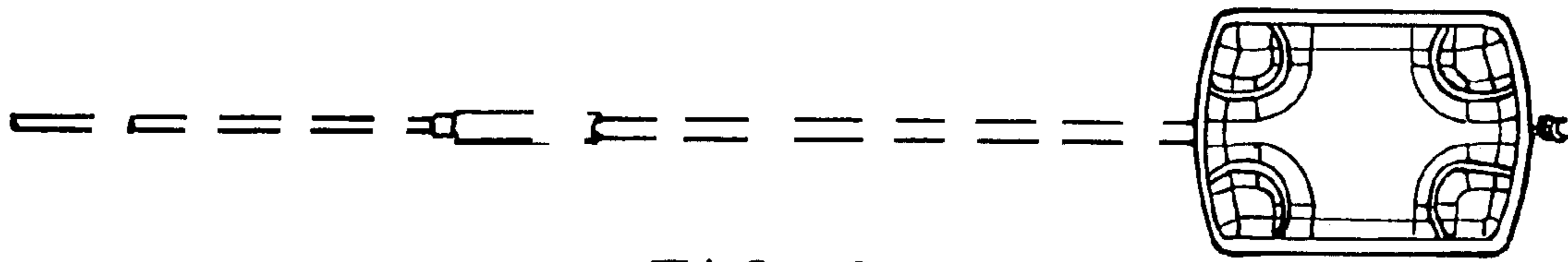


FIG. 6

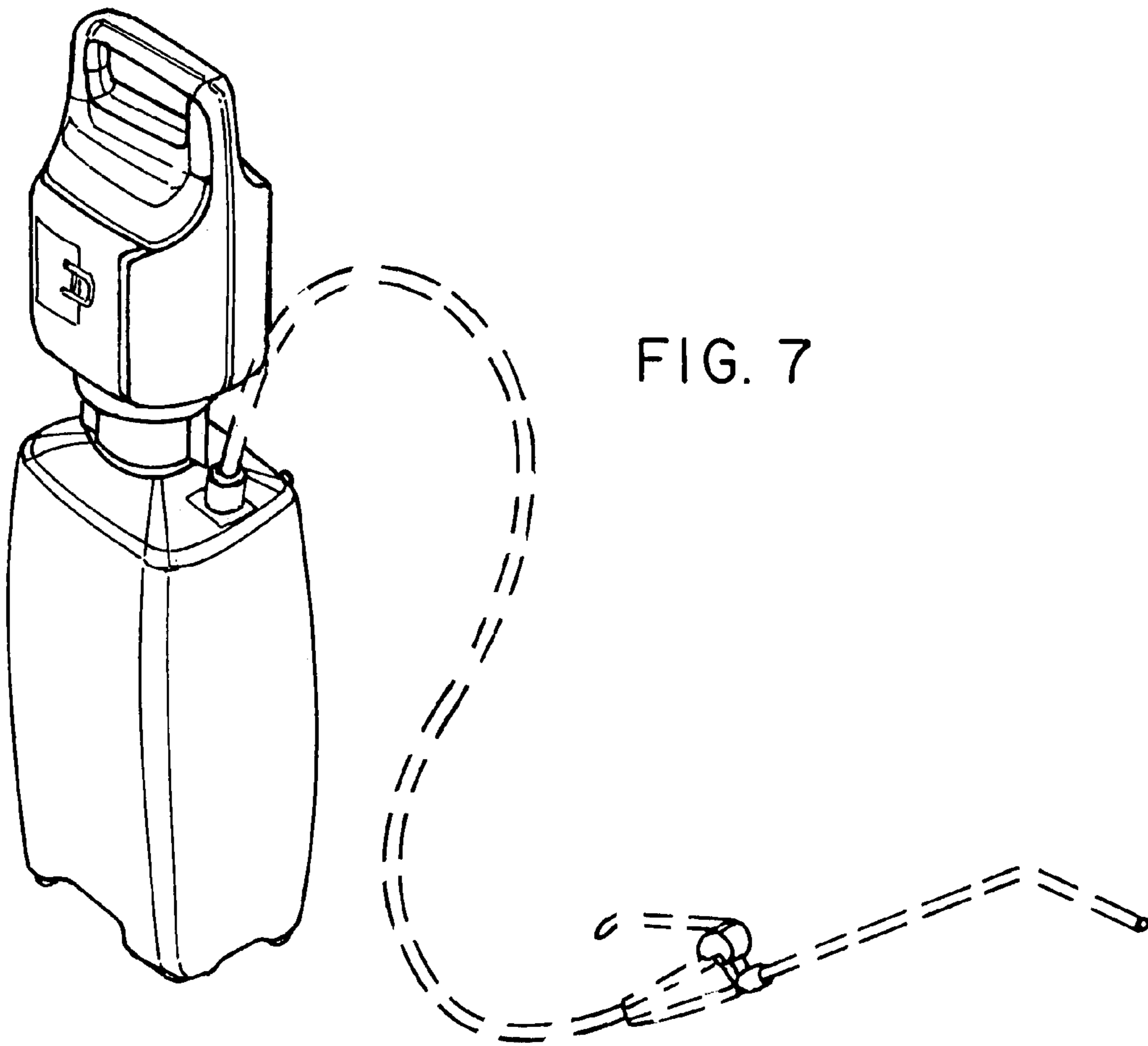


FIG. 7