



US00D578178S

(12) **United States Design Patent**
Sekimoto et al.

(10) **Patent No.:** **US D578,178 S**
(45) **Date of Patent:** **** Oct. 7, 2008**

(54) **FISHING REEL BODY**

D500,547 S * 1/2005 Gray D22/140

(75) Inventors: **Akio Sekimoto**, Higashikurume (JP);
Wataru Tsutsumi, Higashikurume (JP);
Shinichi Asano, Musashino (JP)

FOREIGN PATENT DOCUMENTS

JP 1095200 S 12/2000
JP 1281406 S 9/2006

(73) Assignee: **Daiwa Seiko, Inc.**, Tokyo (JP)

* cited by examiner

(**) Term: **14 Years**

Primary Examiner—Catherine R Oliver

(74) *Attorney, Agent, or Firm*—Sughrue Mion, PLLC

(21) Appl. No.: **29/298,716**

(57) **CLAIM**

(22) Filed: **Dec. 12, 2007**

The ornamental design for a fishing reel body, as shown.

(30) **Foreign Application Priority Data**

DESCRIPTION

Jun. 27, 2007 (JP) 2007-017169

FIG. 1 is a perspective view of the top, front and left side of a fishing reel body showing our new design;

(51) **LOC (8) Cl.** **22-05**

FIG. 2 is a perspective view of the top, rear and left side thereof;

(52) **U.S. Cl.** **D22/140**

FIG. 3 is a front elevational view thereof;

(58) **Field of Classification Search** D22/140-141,
D22/137-139; 242/223, 314, 370, 310; 43/19-21
See application file for complete search history.

FIG. 4 is a rear elevational view thereof;

FIG. 5 is a top plan view thereof;

(56) **References Cited**

U.S. PATENT DOCUMENTS

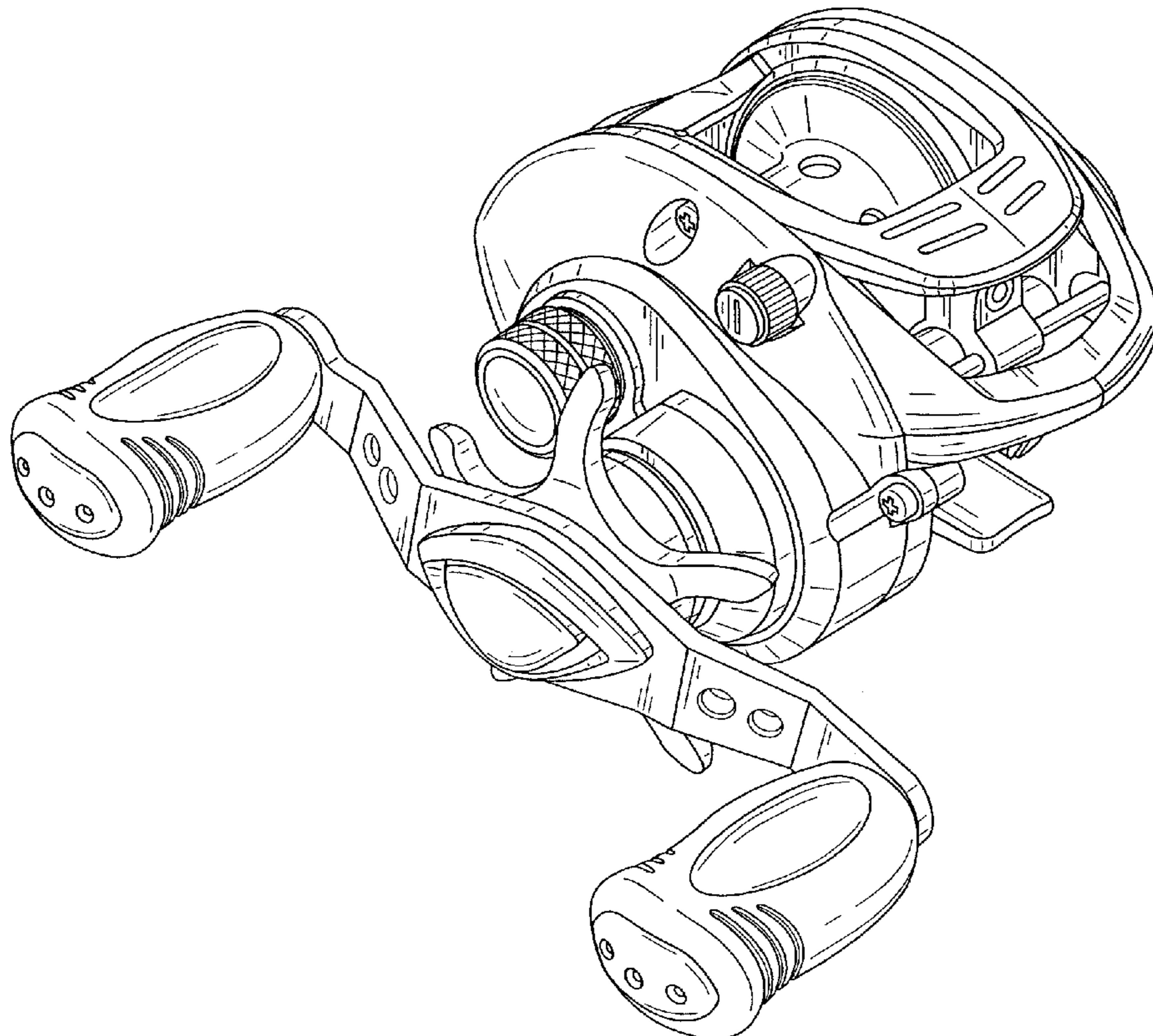
D369,848 S * 5/1996 Asano et al. D22/140
D436,645 S * 1/2001 Kim et al. D22/140
D476,715 S * 7/2003 Robbins et al. D22/140

FIG. 6 is a bottom plan view thereof;

FIG. 7 is a left side elevational view thereof; and,

FIG. 8 is a right side elevational view thereof.

1 Claim, 6 Drawing Sheets



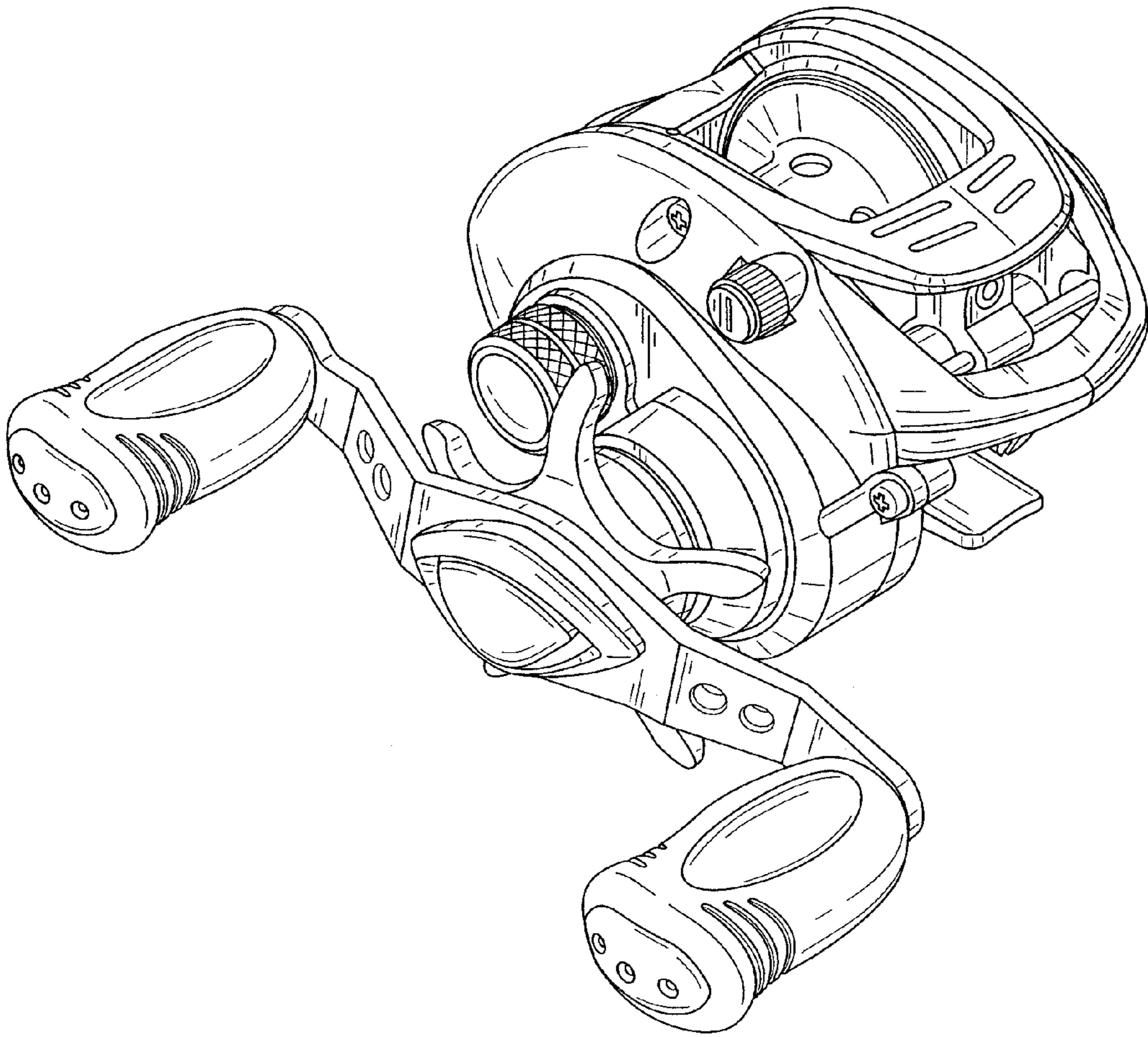


FIG. 1

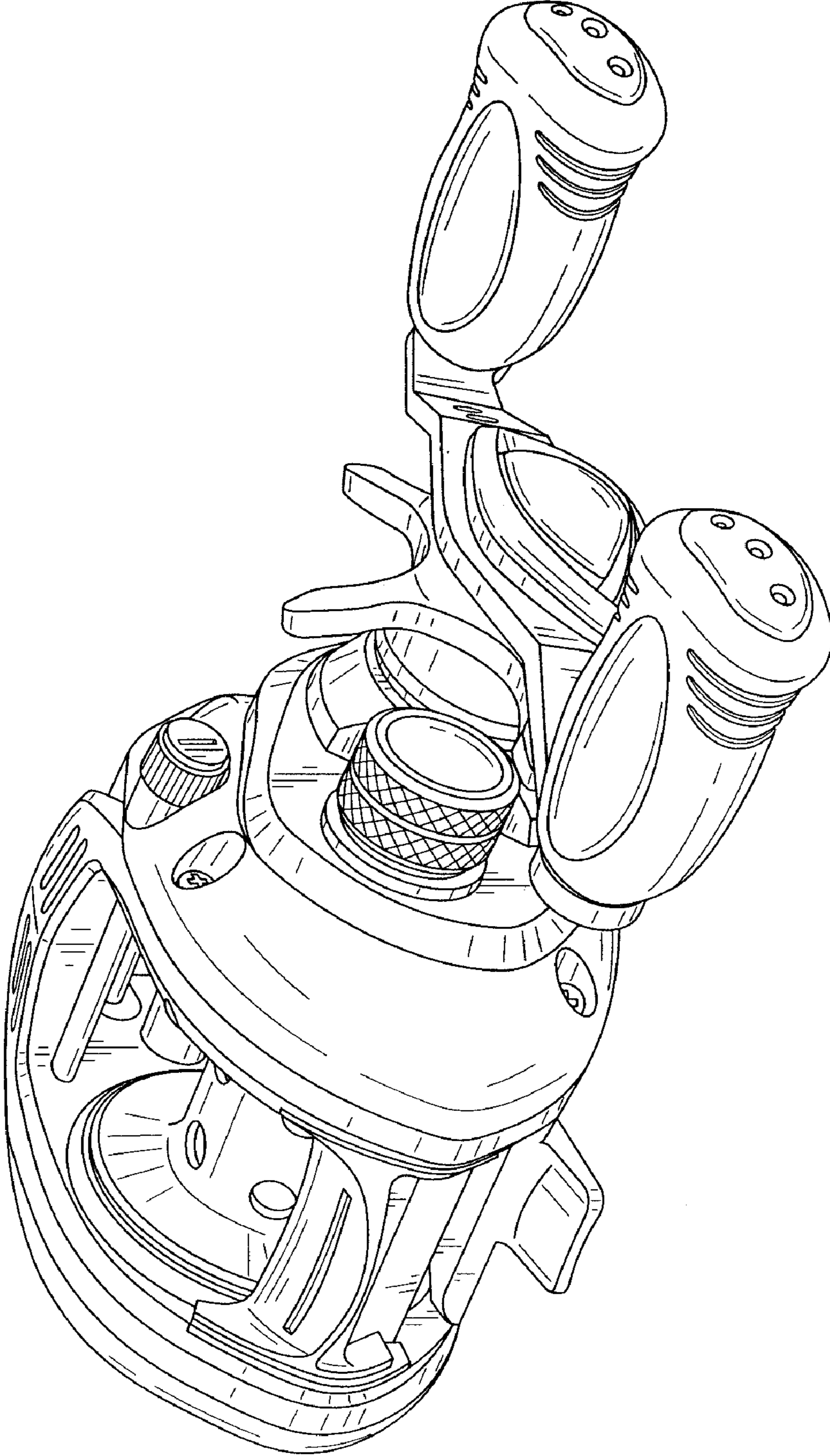


FIG. 2

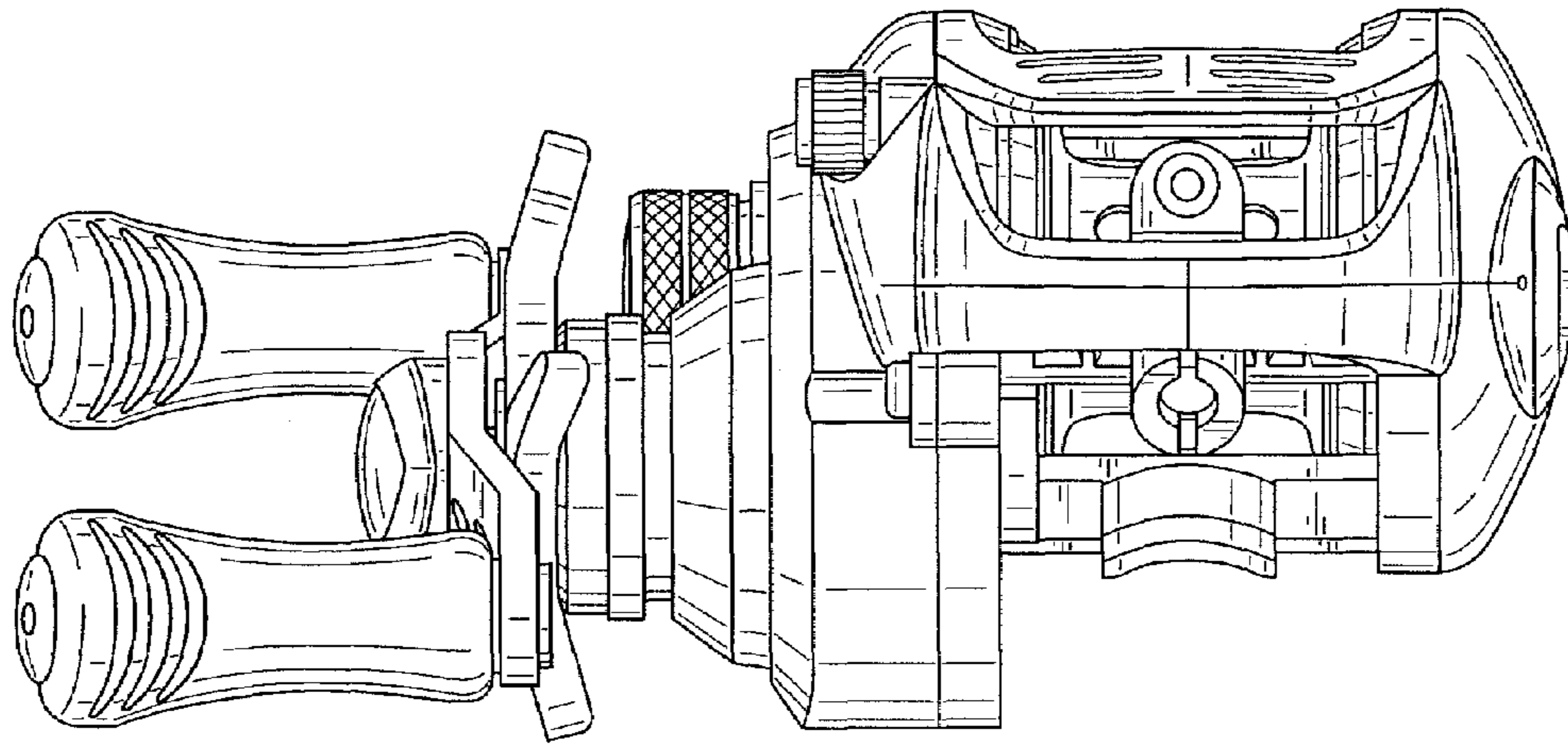


FIG. 3

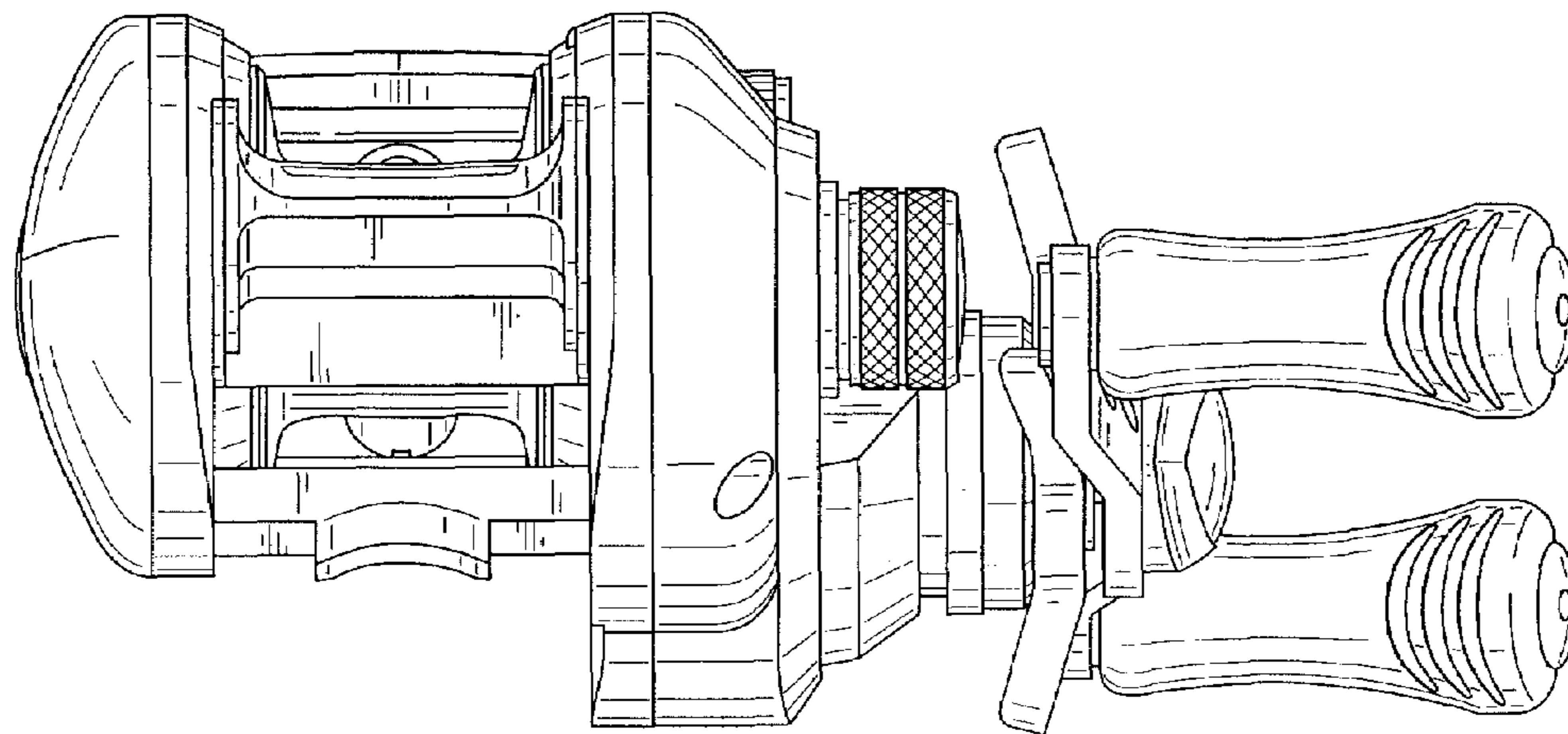


FIG. 4

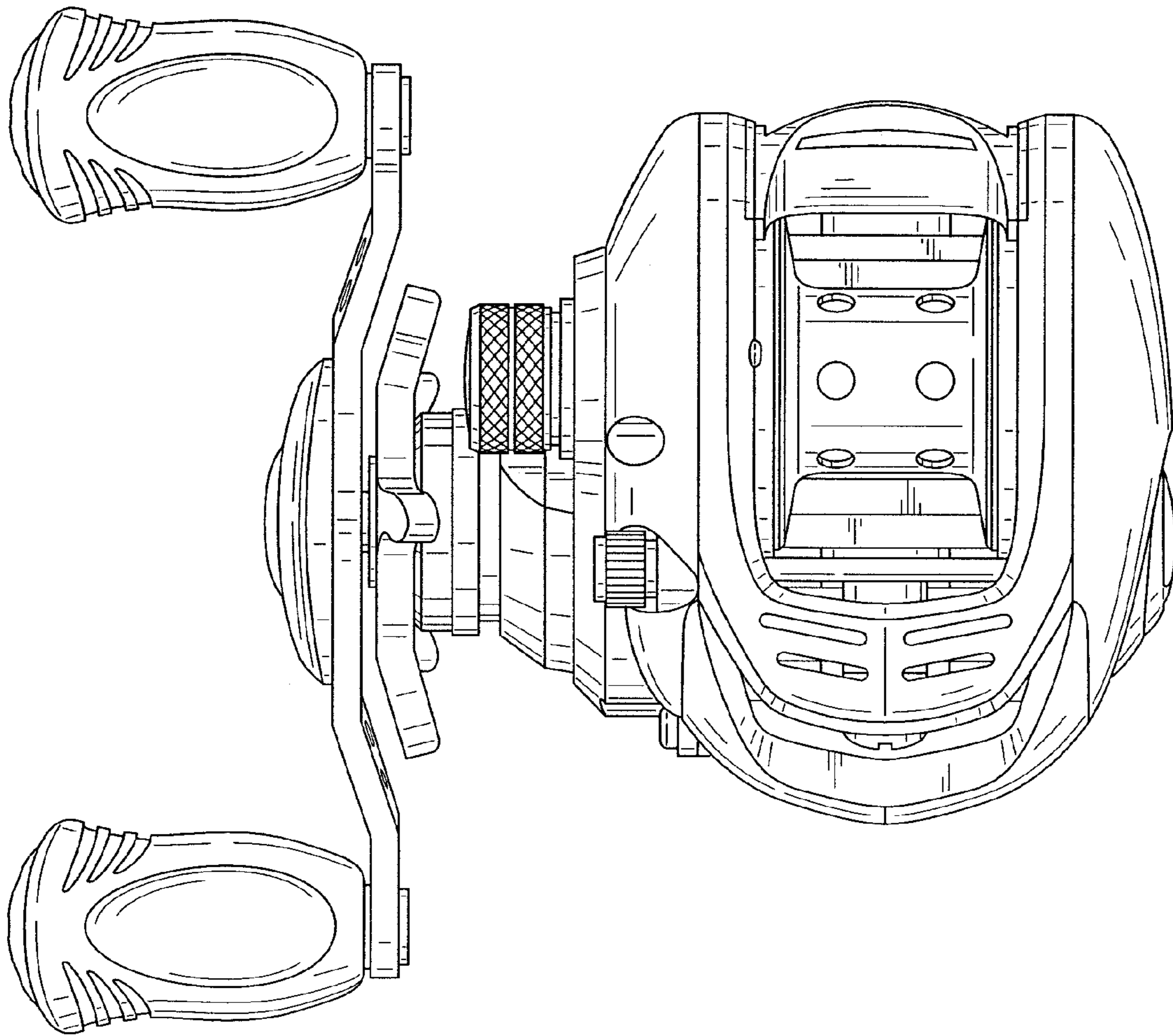


FIG. 5

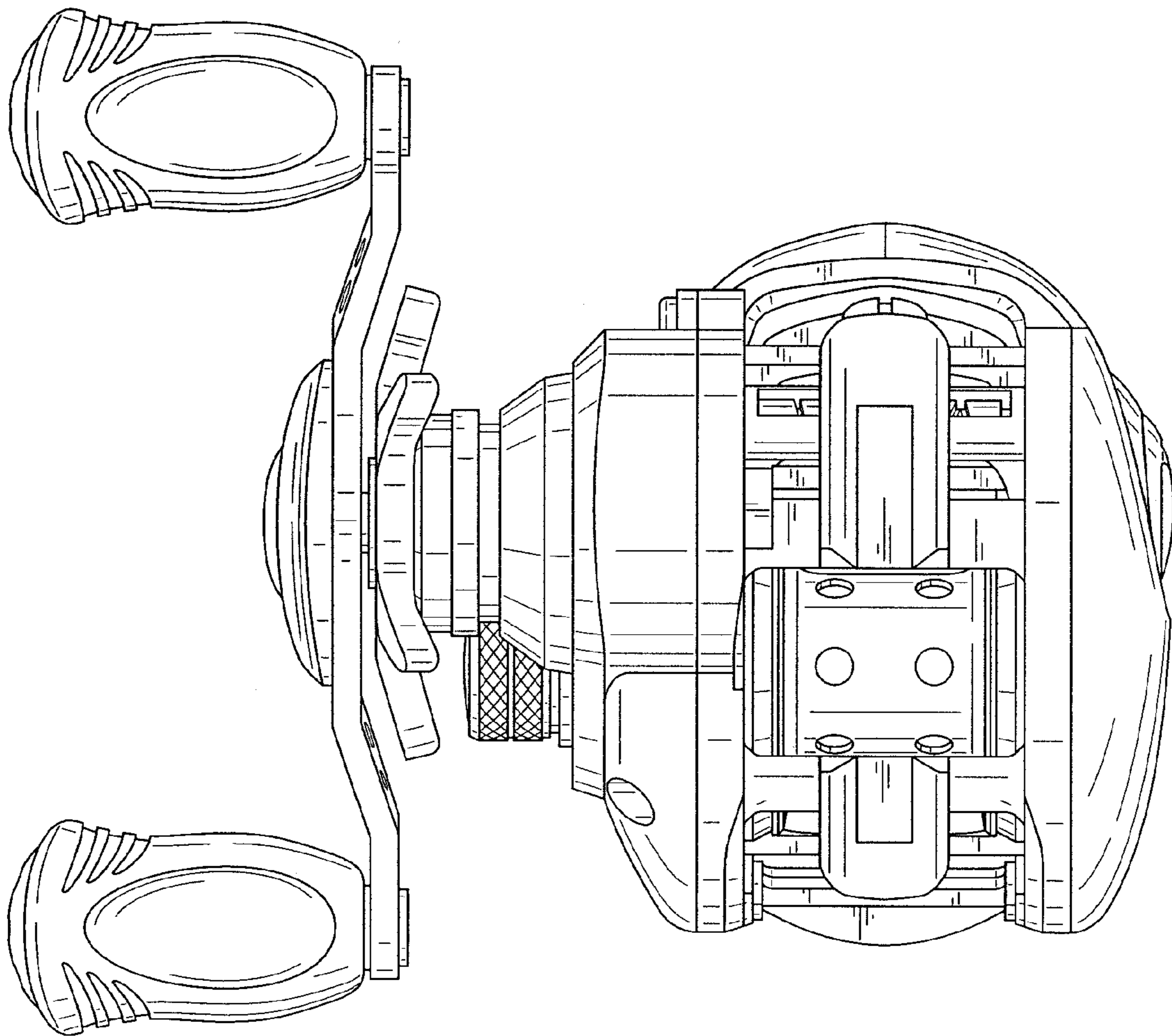


FIG. 6

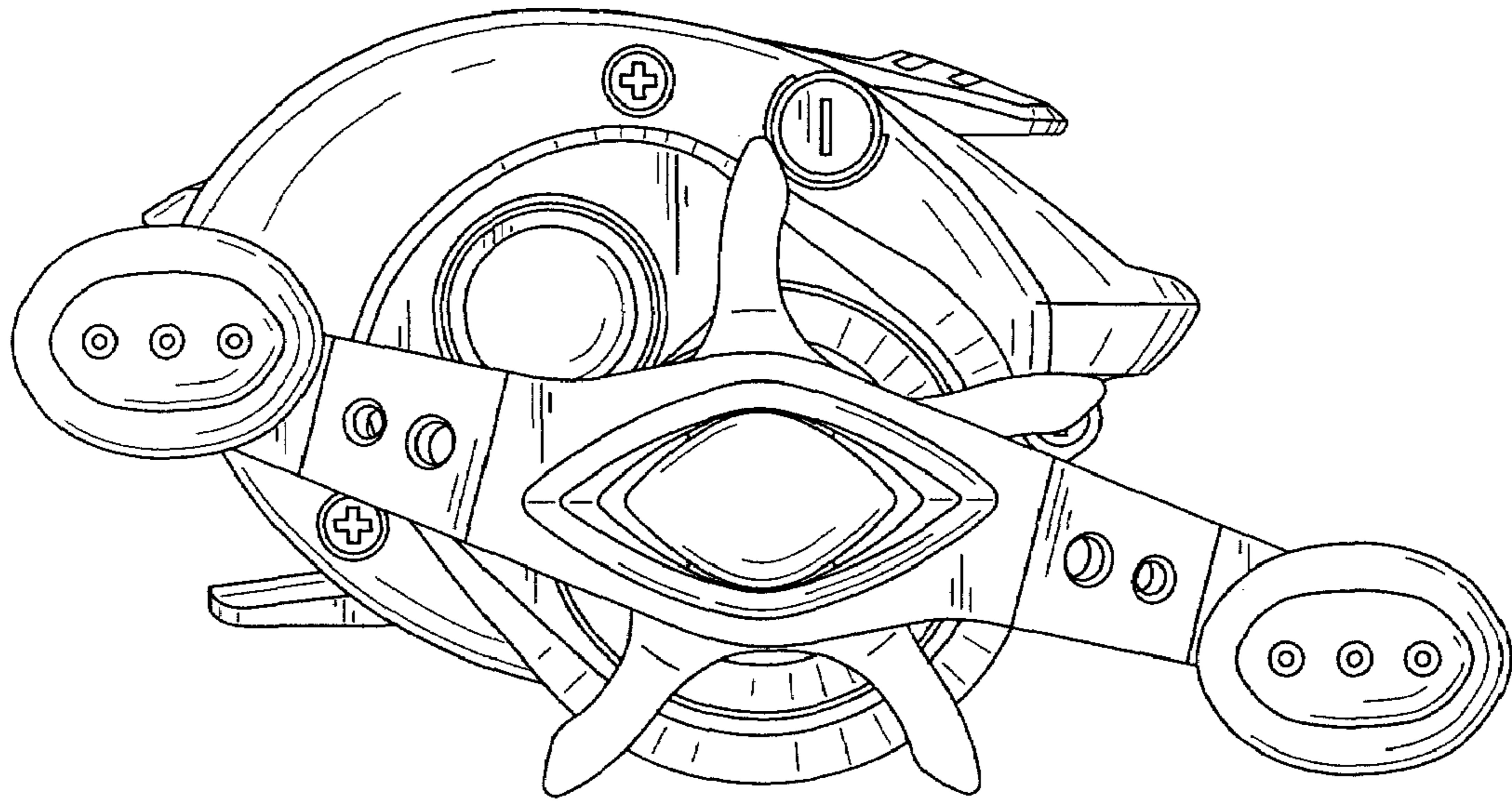


FIG. 7

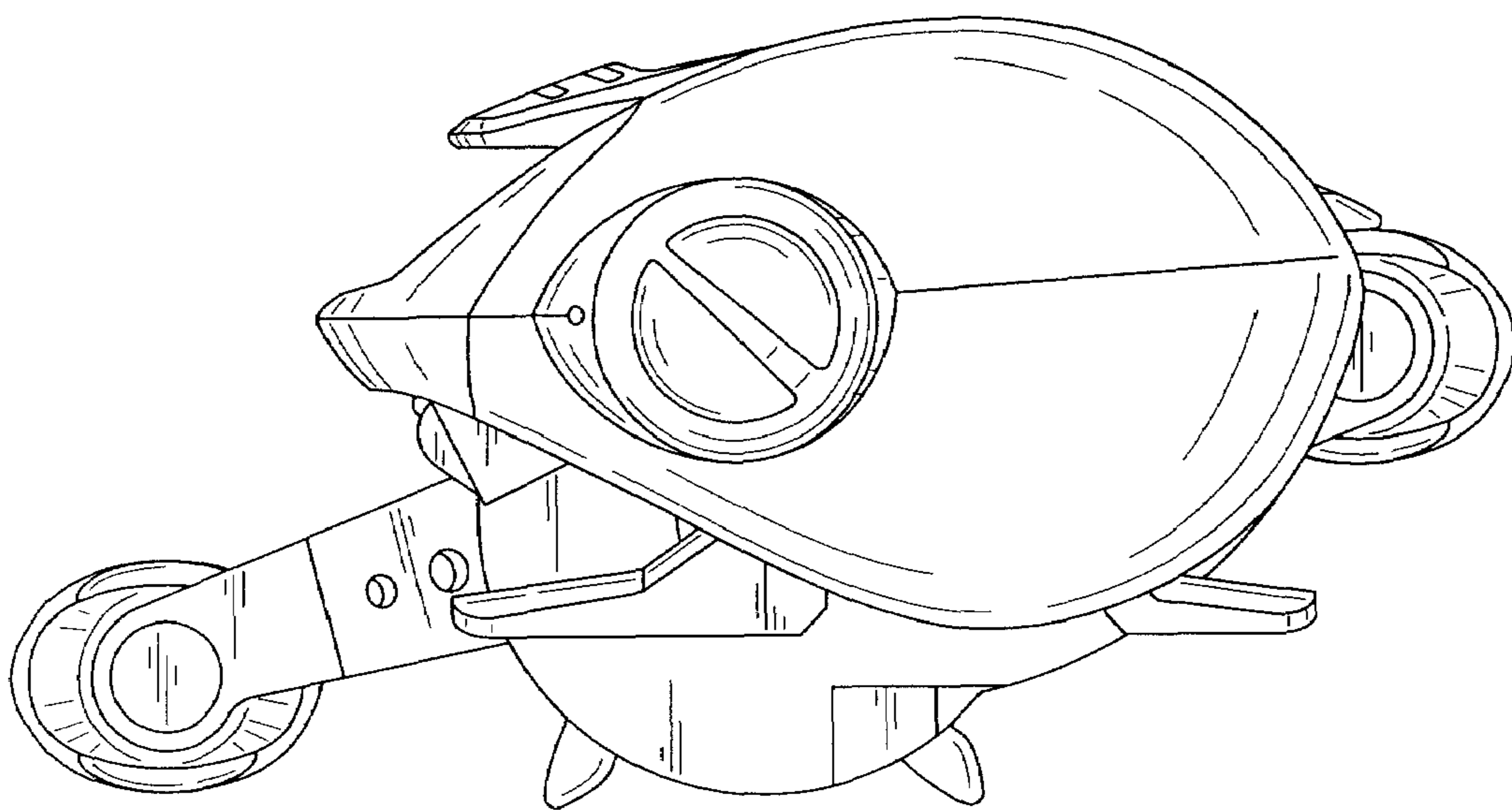


FIG. 8