



US00D578177S

(12) **United States Design Patent**
Norberg et al.

(10) **Patent No.:** **US D578,177 S**
(45) **Date of Patent:** **** Oct. 7, 2008**

(54) **ROUND RECEIVER SCOPE MOUNT FOR MOSIN NAGANT RIFLES**

(75) Inventors: **Kenneth M. Norberg**, Lexington, MO (US); **Keith A. Dinwiddie**, Lexington, MO (US)

(73) Assignee: **Rocksolid Industries, LLC**, Lexington, MO (US)

(**) Term: **14 Years**

(21) Appl. No.: **29/238,744**

(22) Filed: **Jan. 12, 2006**

(51) **LOC (8) Cl.** **22-01**

(52) **U.S. Cl.** **D22/110**

(58) **Field of Classification Search** D22/108,
D22/109, 110; 42/113, 119, 124, 125, 145,
42/126, 114, 142; 248/205.1, 201; 89/37.01,
89/37.04

See application file for complete search history.

(56) **References Cited**

U.S. PATENT DOCUMENTS

D269,988 S *	8/1983	Ross	D22/110
D274,540 S *	7/1984	Bechtel	D22/110
D291,470 S *	8/1987	Bechtel	D22/110
D318,313 S *	7/1991	Bechtel	D22/110
D322,834 S *	12/1991	Lawlor	D22/110
D329,079 S *	9/1992	Sanders	D22/109
D357,723 S *	4/1995	Eddleman	D22/110
D360,250 S *	7/1995	Coste	D22/110

D364,668 S *	11/1995	Keng	D22/110
D367,312 S *	2/1996	Martel	D22/110
5,522,166 A *	6/1996	Martel	42/124
5,941,006 A *	8/1999	Horton	42/124
D502,244 S *	2/2005	Oz	D22/109

* cited by examiner

Primary Examiner—Louis S Zarfaz
Assistant Examiner—David G Muller

(57) **CLAIM**

The ornamental design for a round receiver scope mount for Mosin Nagant rifles, as shown and described.

DESCRIPTION

FIG. 1 is a top plan view of the round receiver scope mount for Mosin Nagant rifles;

FIG. 2 is a bottom plan view of the round receiver scope mount for Mosin Nagant rifles of FIG. 1;

FIG. 3 is a right side elevational view of the round receiver scope mount for Mosin Nagant rifles of FIG. 1;

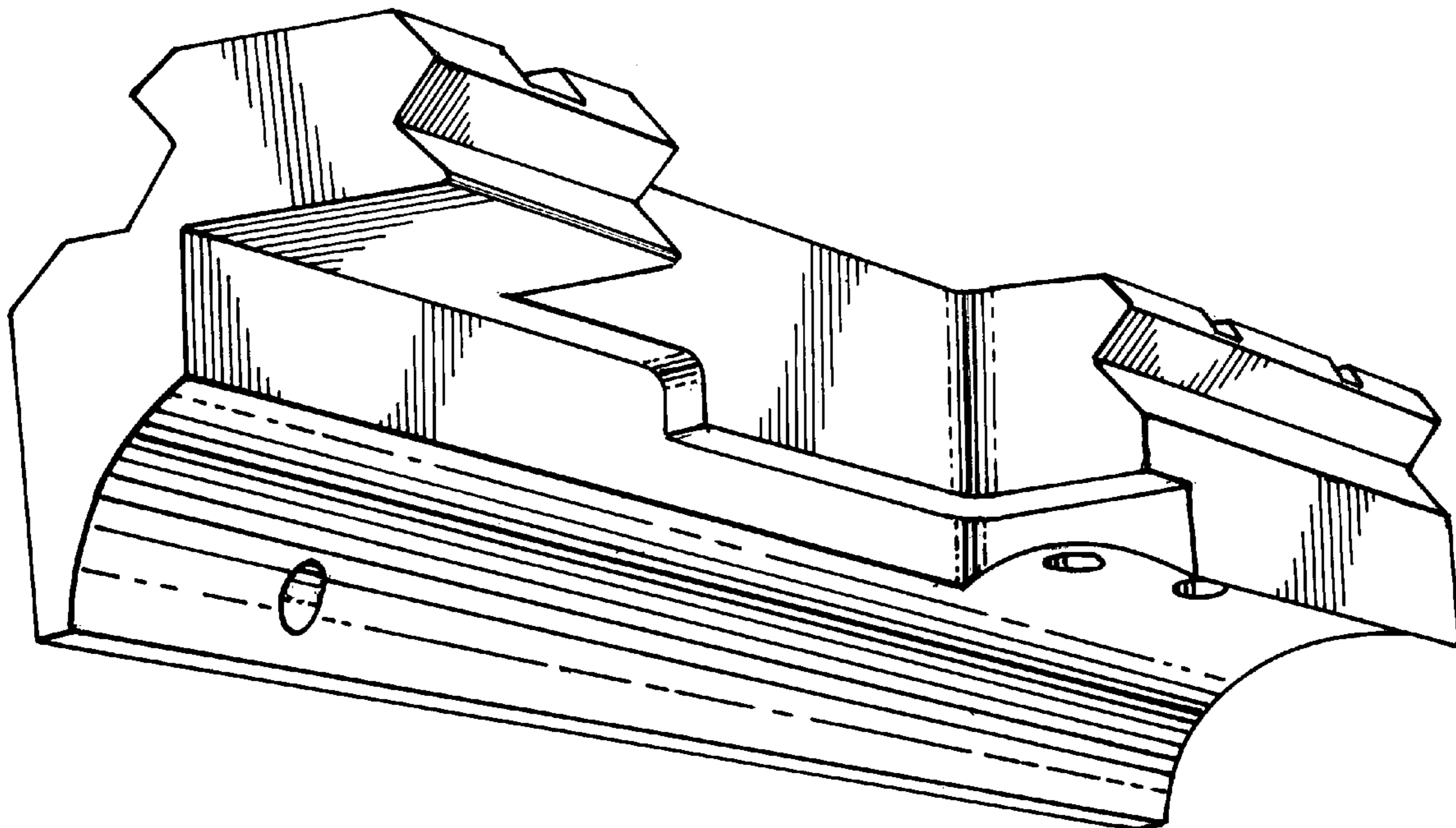
FIG. 4 is a left side elevational view of the round receiver scope mount for Mosin Nagant rifles of FIG. 1;

FIG. 5 is a front elevational view of the round receiver scope mount for Mosin Nagant rifles of FIG. 1;

FIG. 6 is a rear elevational view of the round receiver scope mount for Mosin Nagant rifles of FIG. 1; and,

FIG. 7 is a front perspective view of the round receiver scope mount for Mosin Nagant rifles of FIG. 1.

1 Claim, 3 Drawing Sheets



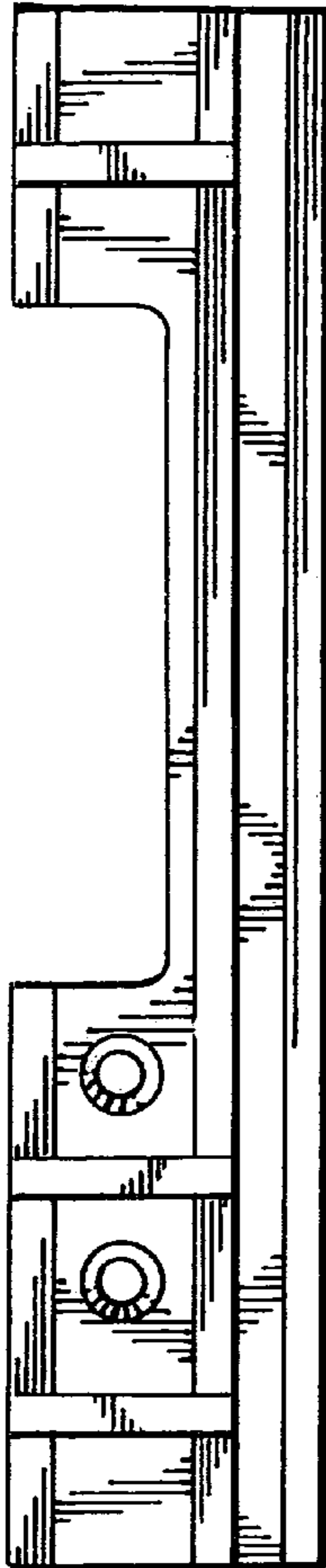


Fig. 1.

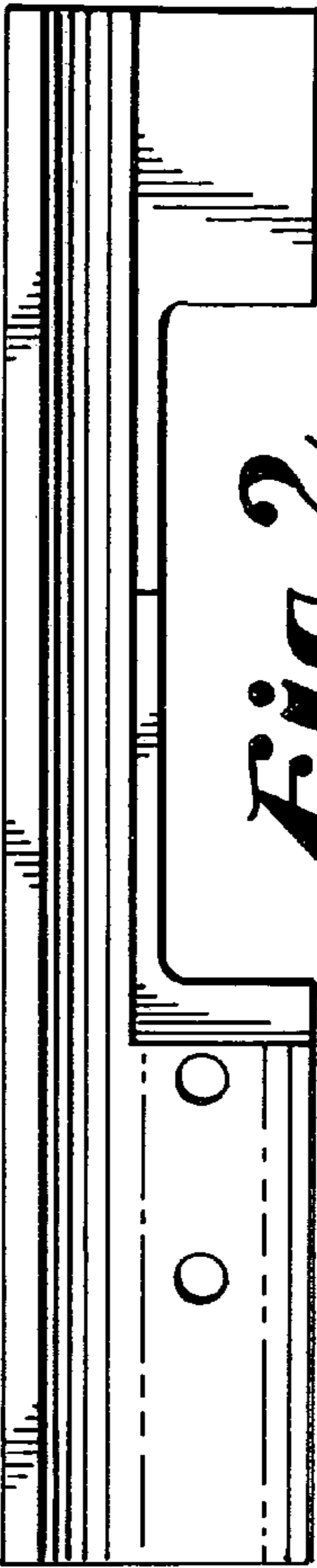


Fig. 2.



Fig. 3.

Fig. 4.

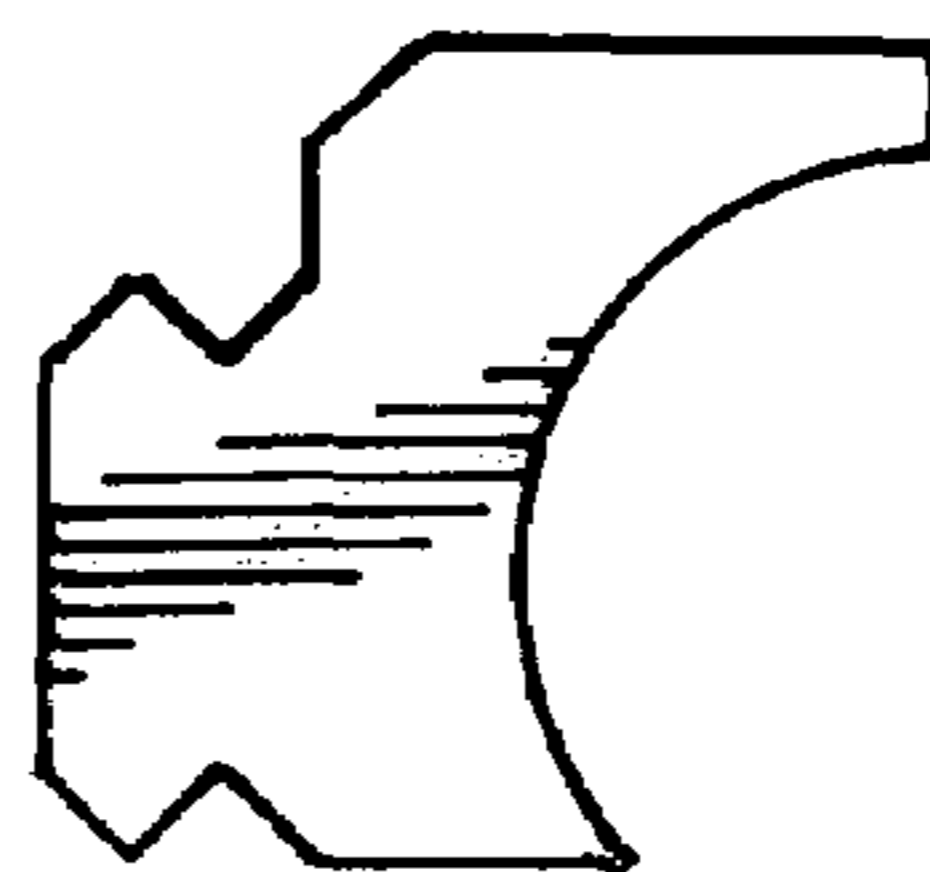
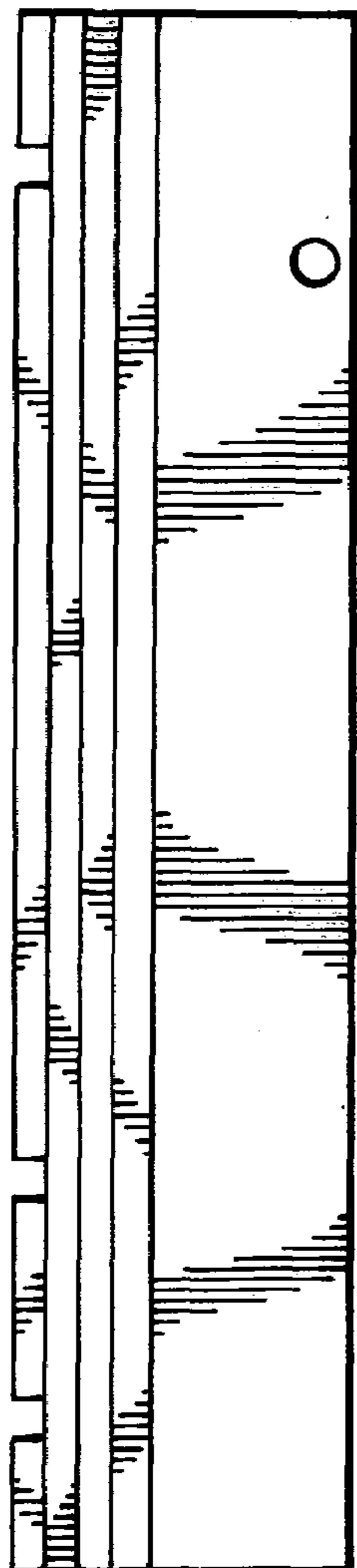


Fig. 5.

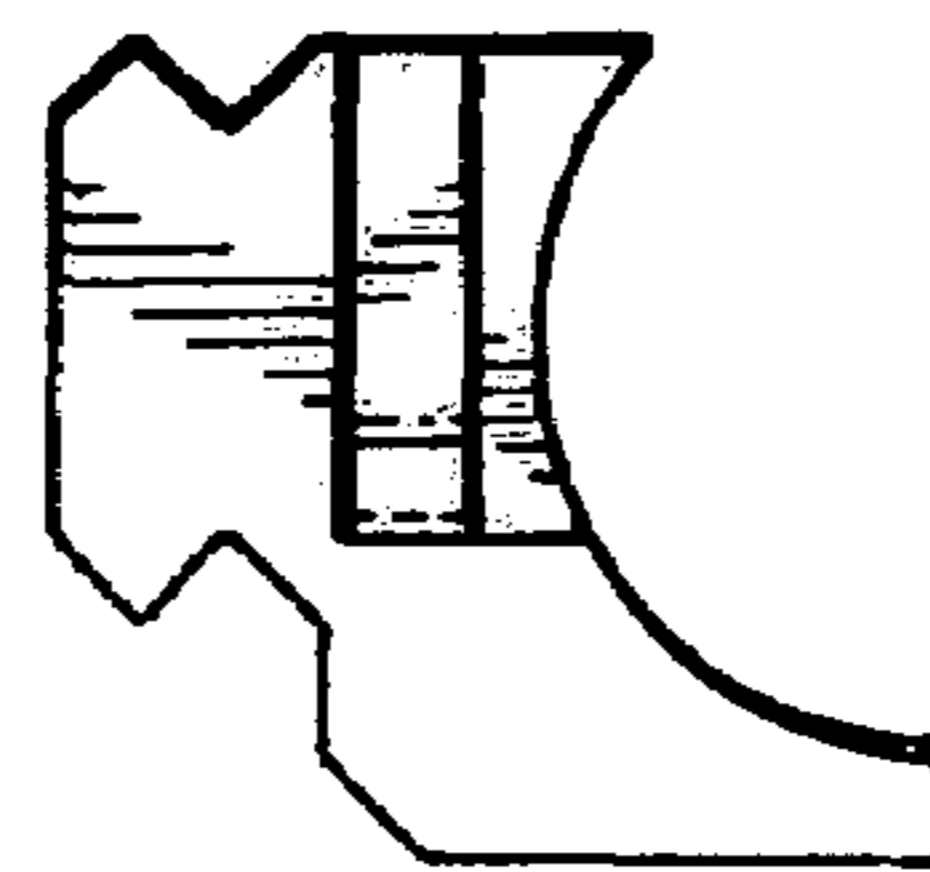


Fig. 6.

FIG. 7.

