



US00D578176S

(12) **United States Design Patent**
Brooks

(10) **Patent No.:** **US D578,176 S**

(45) **Date of Patent:** **** Oct. 7, 2008**

(54) **GOLF TRAINING DEVICE**

(76) Inventor: **Roger John Brooks**, 7, Airedale,
Galgate, Lancaster LA2 0RR (GB)

(**) Term: **14 Years**

(21) Appl. No.: **29/279,110**

(22) Filed: **Apr. 19, 2007**

(51) **LOC (8) Cl.** **21-02**

(52) **U.S. Cl.** **D21/791**

(58) **Field of Classification Search** D21/789,
D21/791; 473/219-237

See application file for complete search history.

(56) **References Cited**

U.S. PATENT DOCUMENTS

D247,919 S * 5/1978 Goyette, Jr. D21/791

D324,897 S * 3/1992 Colucci D21/791

D339,396 S * 9/1993 Roberto D21/791

D523,510 S * 6/2006 Hicks D21/789

* cited by examiner

Primary Examiner—Mitchell I Siegel
(74) Attorney, Agent, or Firm—Egbert Law Offices

(57) **CLAIM**

The ornamental design for a golf training device, as shown and described.

DESCRIPTION

The golf training device is used by a golfer with a putter to assist in perfecting golf putting strokes.

FIG. 1 is a side view of the golf training device showing my design.

FIG. 2 is an opposite side view thereof;

FIG. 3 is a rear view thereof;

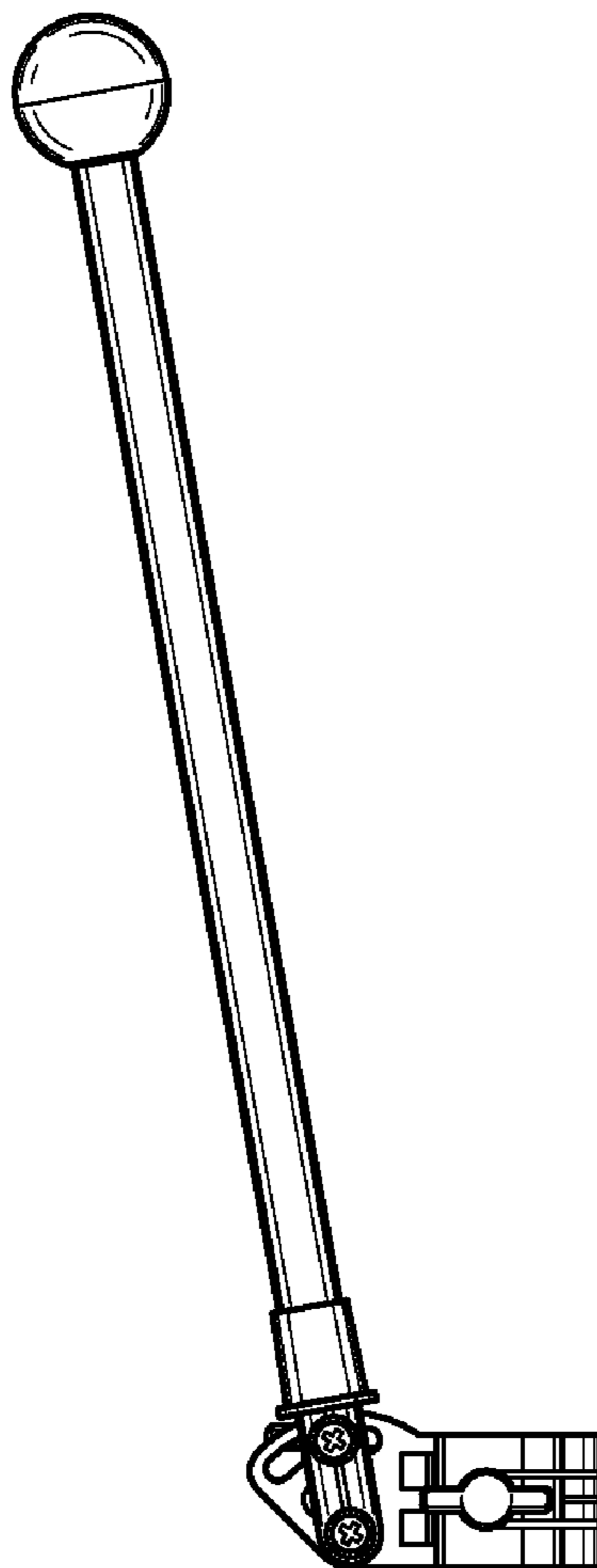
FIG. 4 is a front view thereof;

FIG. 5 is a bottom view thereof; and,

FIG. 6 is a top view thereof.

The broken line showing is included for the purpose of illustrating and forms no part of the claimed design.

1 Claim, 3 Drawing Sheets



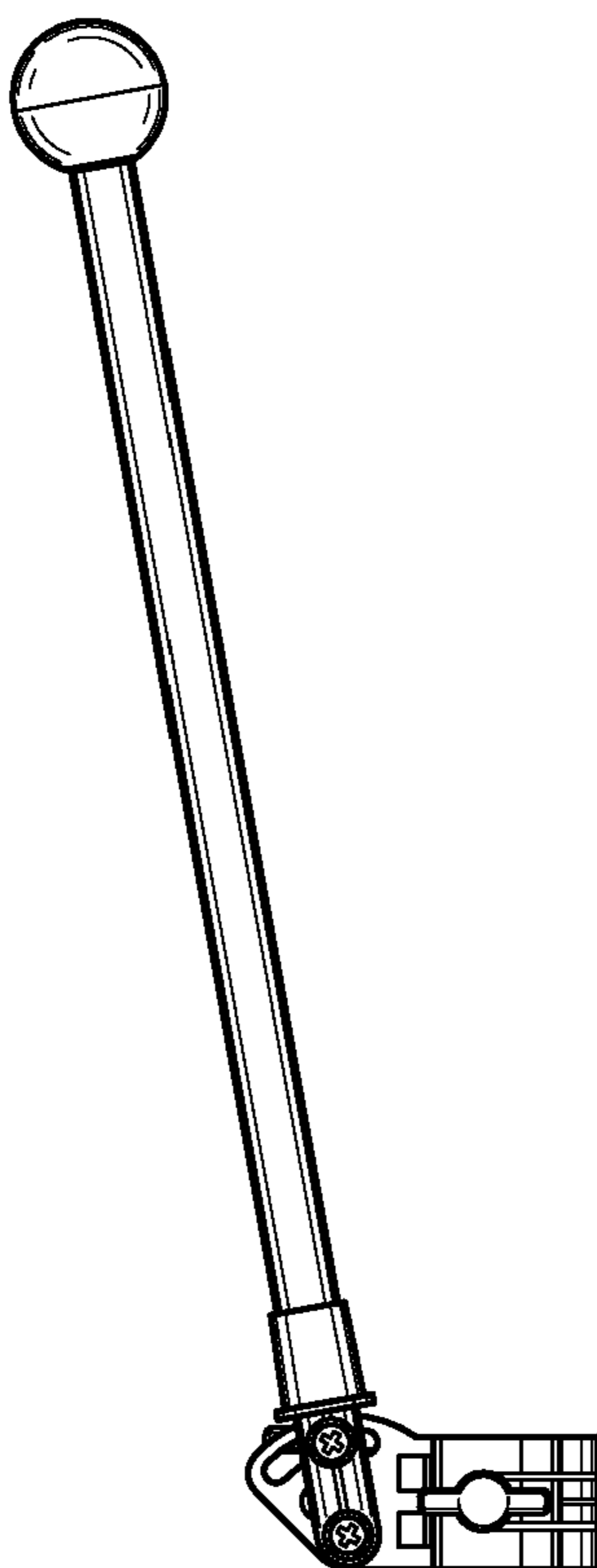


FIG. 1

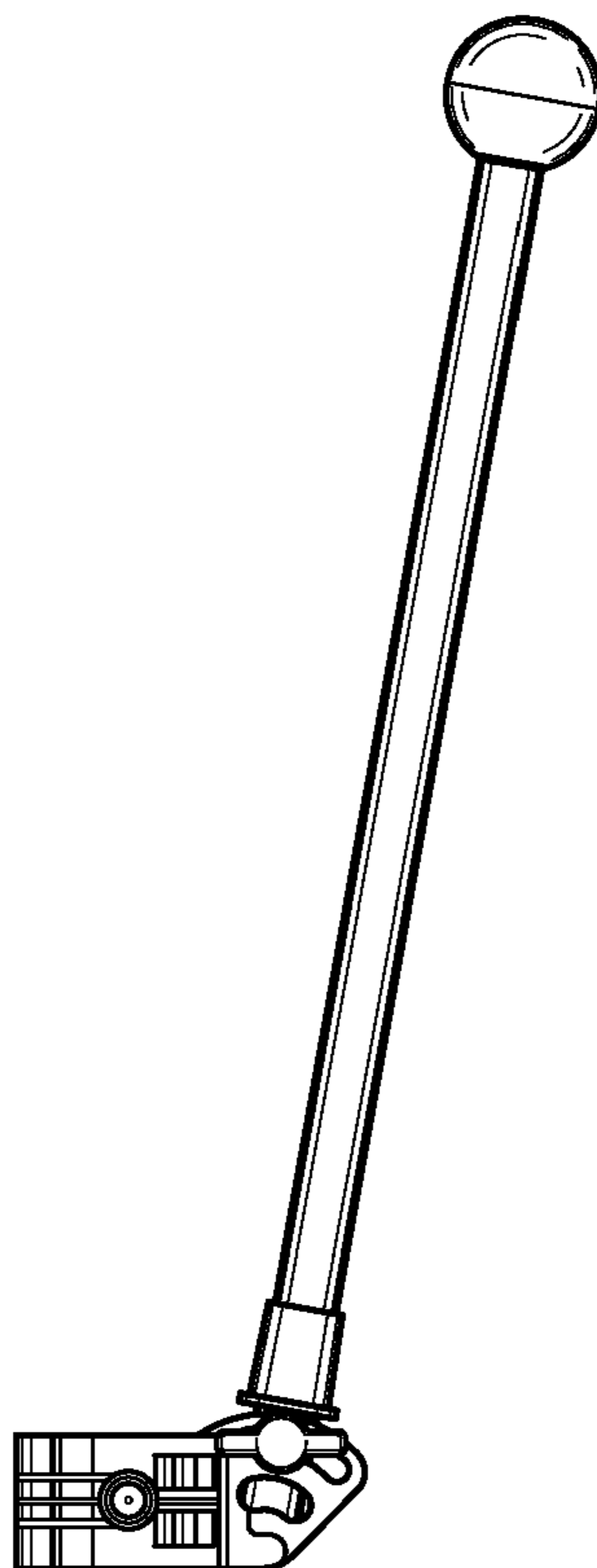


FIG. 2

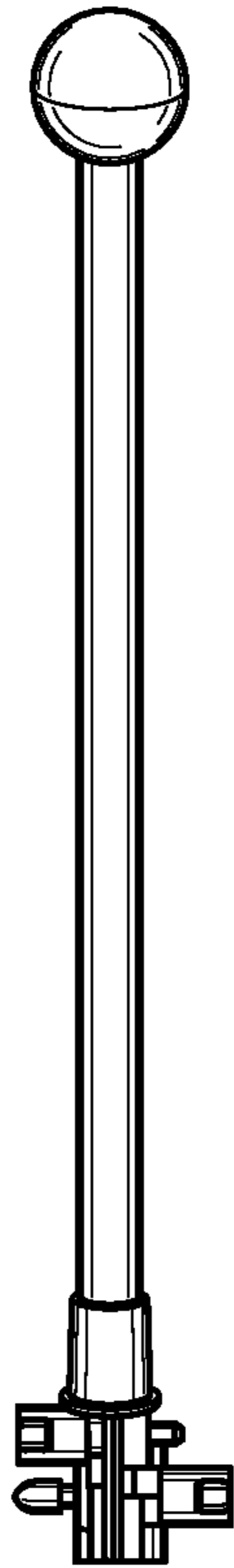


FIG. 3

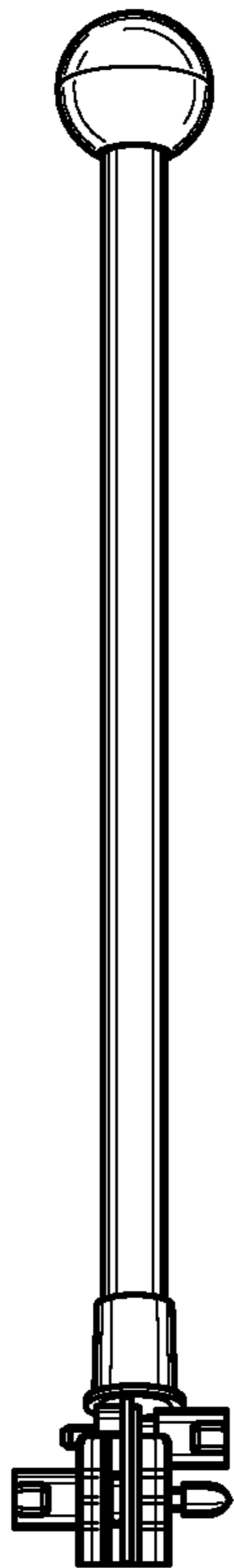


FIG. 4

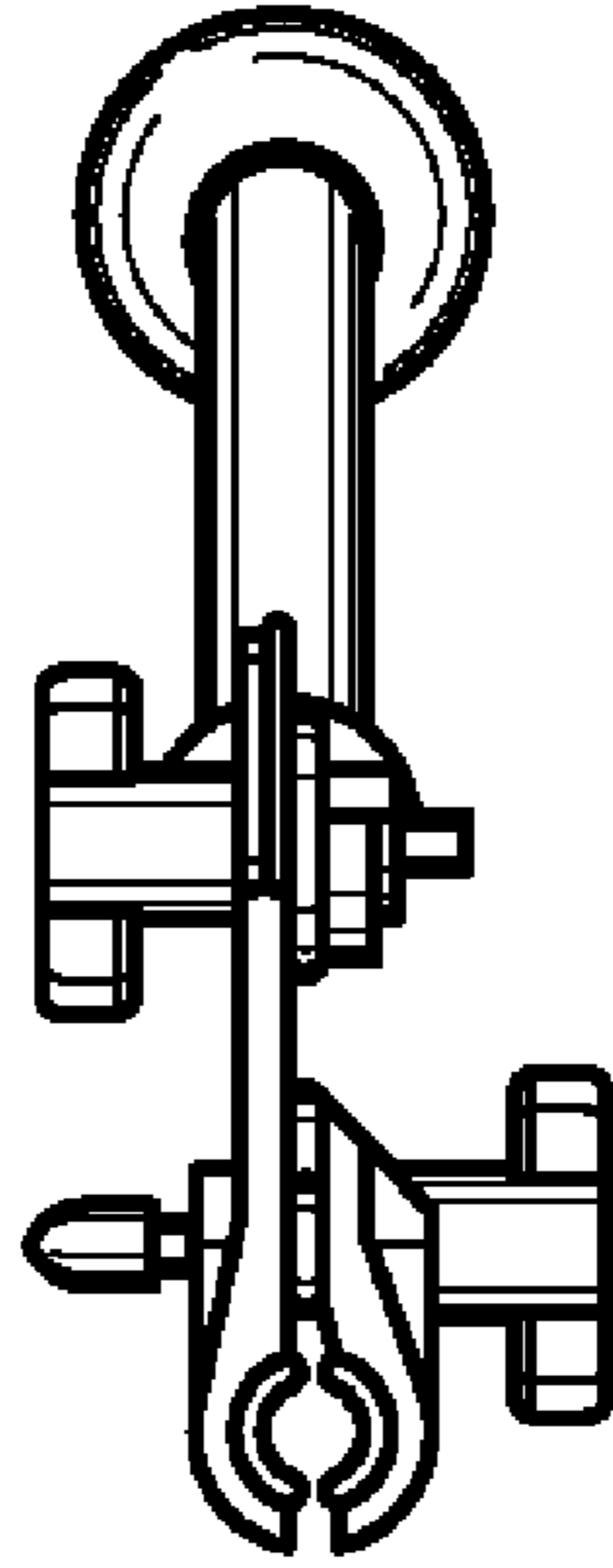


FIG. 5

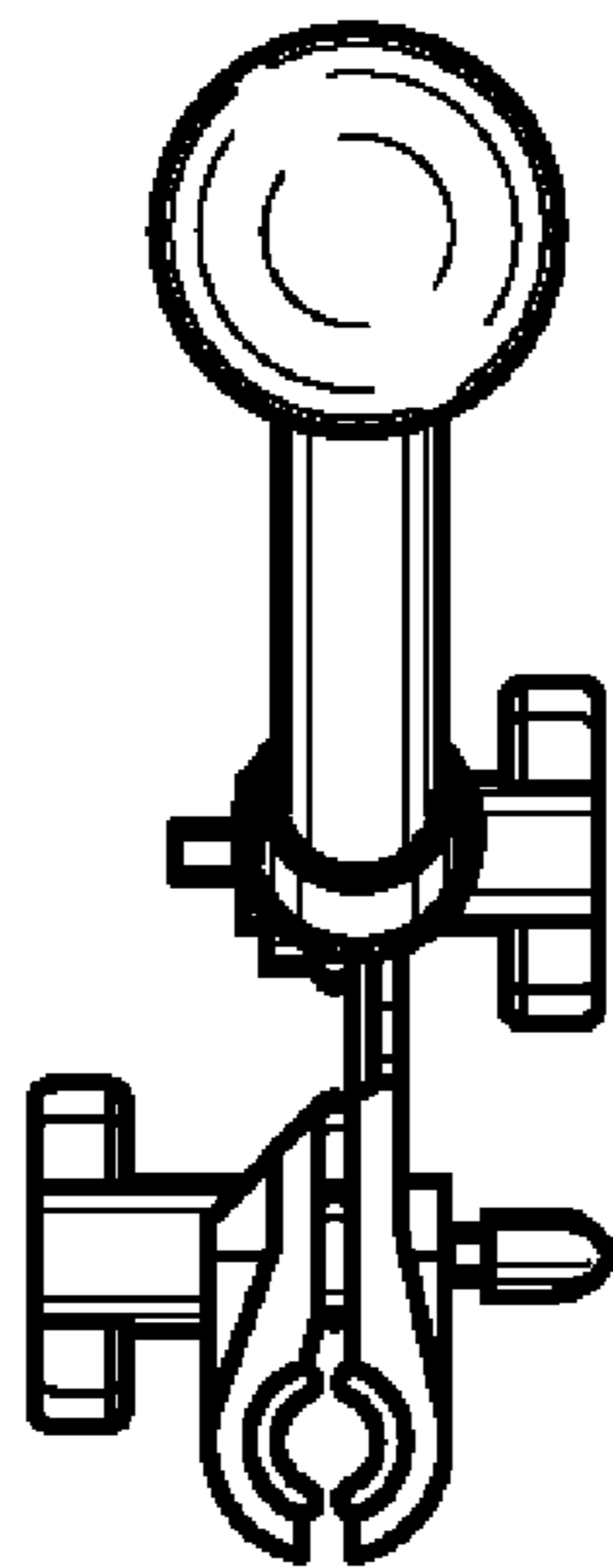


FIG. 6