

US00D578173S

(12) **United States Design Patent**  
**James**

(10) **Patent No.:** **US D578,173 S**  
(45) **Date of Patent:** **\*\* Oct. 7, 2008**

(54) **DUMBBELL SUPPORT**

(76) Inventor: **Robert W. James**, 4880 Fay Blvd.,  
Cocoa, FL (US) 32927

(\*\*) Term: **14 Years**

(21) Appl. No.: **29/299,297**

(22) Filed: **Dec. 21, 2007**

(51) **LOC (8) Cl.** ..... **21-02**

(52) **U.S. Cl.** ..... **D21/690; D21/686**

(58) **Field of Classification Search** ..... D21/662,  
D21/686, 690, 694; 482/94, 104, 142  
See application file for complete search history.

(56) **References Cited**

U.S. PATENT DOCUMENTS

4,666,150	A *	5/1987	Segrist et al. ....	482/104
5,411,459	A *	5/1995	Hayden .....	482/104
5,472,397	A *	12/1995	Ammoscato et al. ....	482/104
5,616,108	A *	4/1997	Hayden .....	482/104
5,725,460	A *	3/1998	Marsh .....	482/104
5,772,561	A *	6/1998	Hayden .....	482/104
5,924,964	A *	7/1999	Hayden .....	482/104
5,954,619	A *	9/1999	Petrone .....	482/104
D415,223	S *	10/1999	Gay .....	D21/686
5,971,898	A *	10/1999	Schoolfield .....	482/104
D425,152	S *	5/2000	Ceppo .....	D21/686
D425,950	S *	5/2000	Ceppo .....	D21/686
D429,295	S *	8/2000	Ceppo .....	D21/686
6,149,556	A *	11/2000	Jordan .....	482/104
D441,813	S *	5/2001	Ceppo .....	D21/686
D443,660	S *	6/2001	Ceppo .....	D21/686

D453,542	S *	2/2002	Louiso .....	D21/694
6,436,016	B1 *	8/2002	Valentino .....	482/108
D487,490	S *	3/2004	Evans .....	D21/686
6,709,370	B1 *	3/2004	Evans .....	482/104
6,715,728	B2 *	4/2004	Nielsen .....	248/339
D495,383	S *	8/2004	Ceppo .....	D21/686
7,112,163	B2 *	9/2006	Krull .....	482/104
7,226,400	B1 *	6/2007	Gedeon-Janvier .....	482/104
7,285,077	B1 *	10/2007	Marx .....	482/104
2005/0009671	A1 *	1/2005	Hummer .....	482/94

\* cited by examiner

*Primary Examiner*—T. Chase Nelson  
*Assistant Examiner*—Roselyne Cody

(57) **CLAIM**

I claim, the ornamental design for the dumbbell support, as shown and described.

**DESCRIPTION**

FIG. 1 is a front elevational view of the dumbbell support showing my new design;

FIG. 2 is a rear elevational view of the dumbbell support thereof;

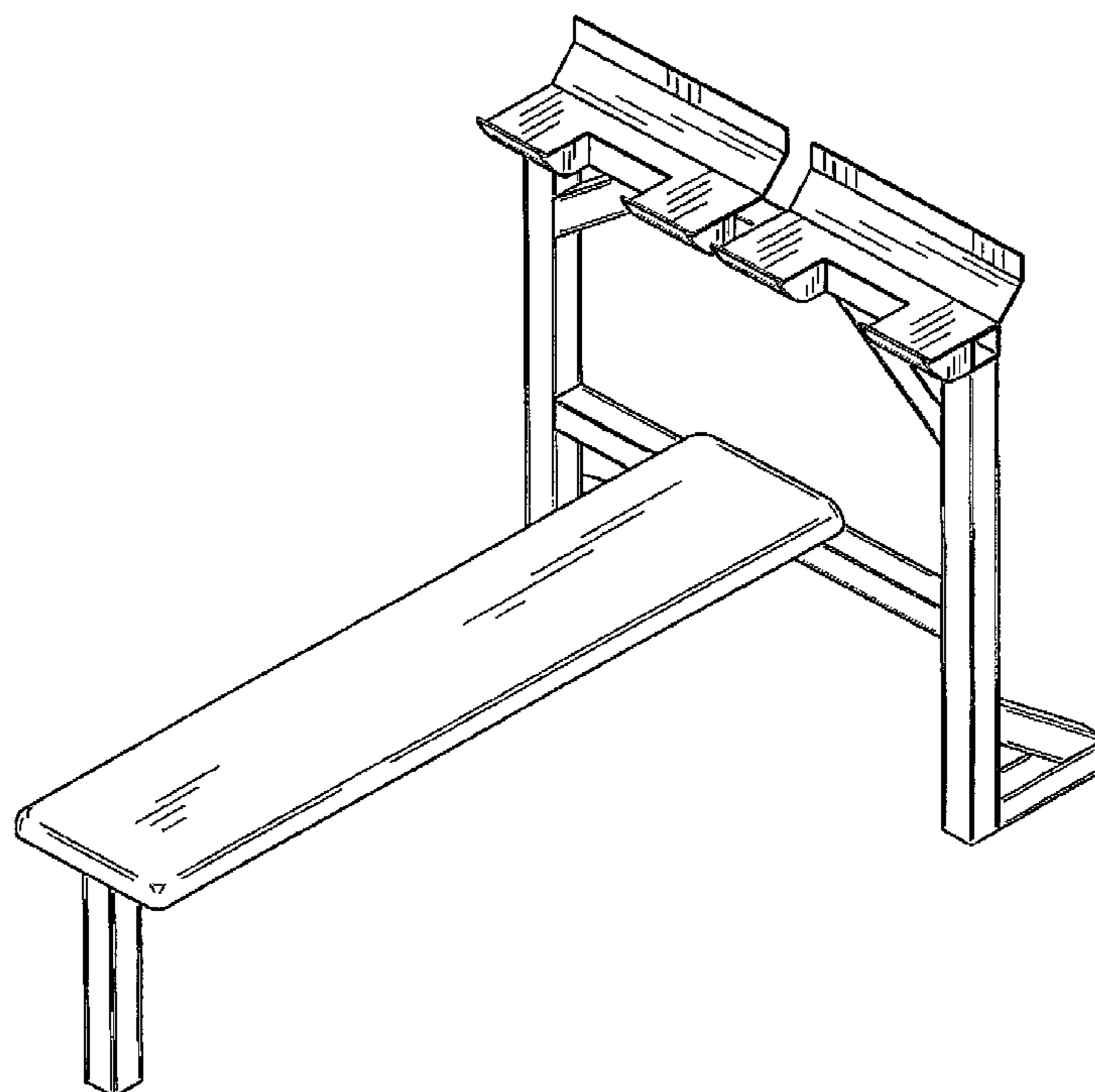
FIG. 3 is a left-side elevational view of the dumbbell support thereof;

FIG. 4 is a top plan view of the dumbbell support thereof;

FIG. 5 is a bottom plan view of the dumbbell support thereof; and,

FIG. 6 is a perspective view of the dumbbell support thereof.

**1 Claim, 4 Drawing Sheets**



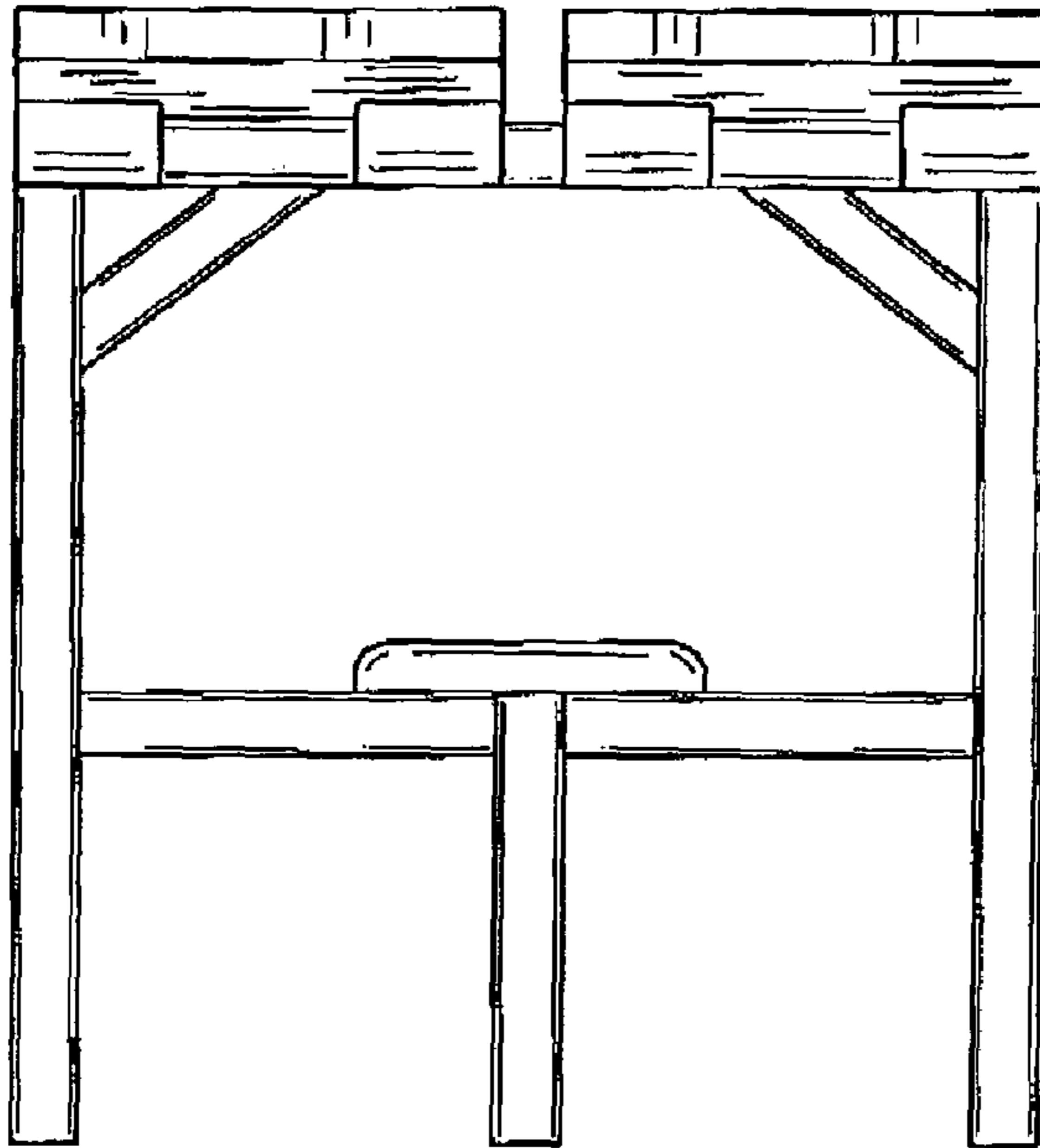


FIG. 1

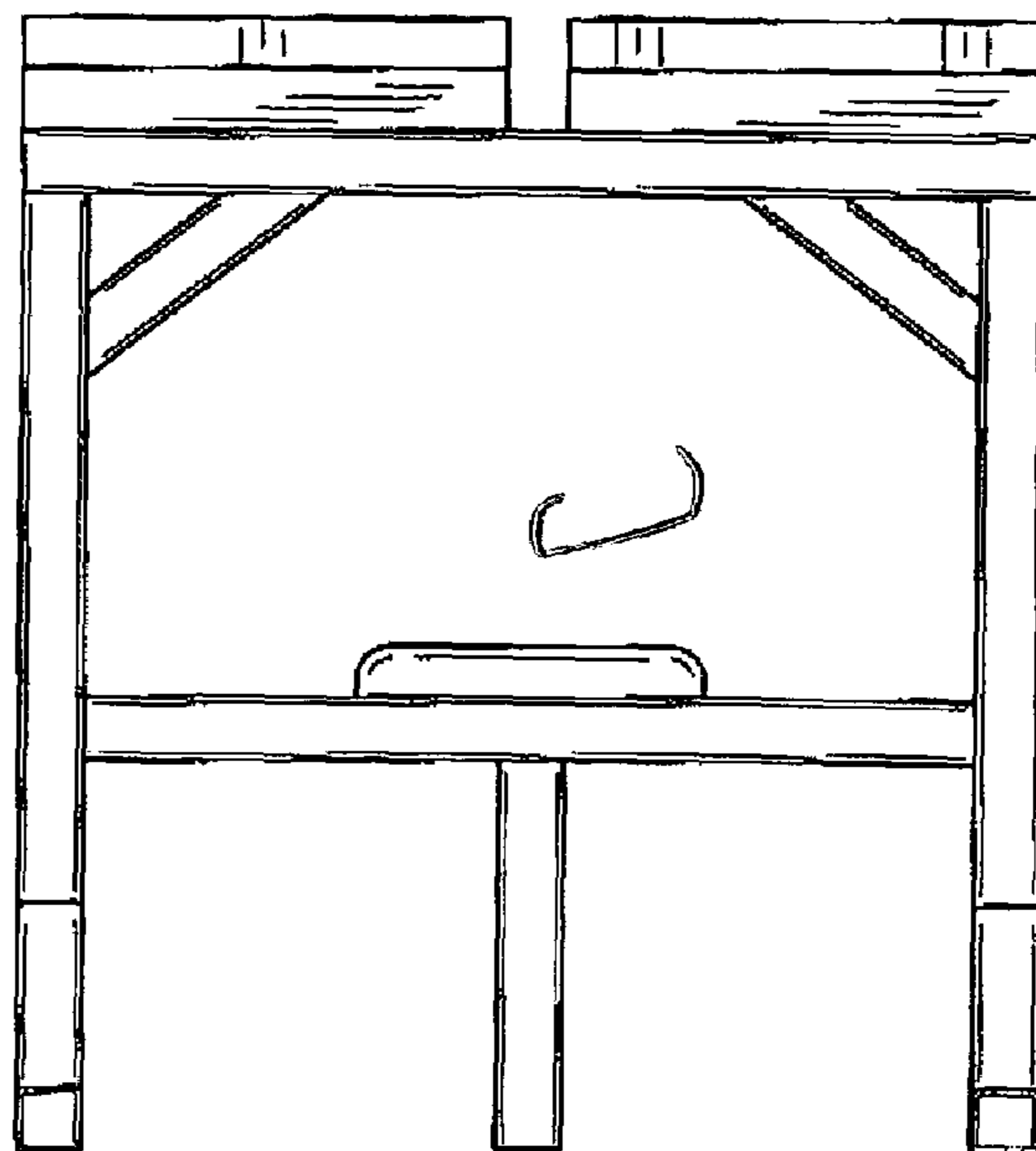


FIG. 2

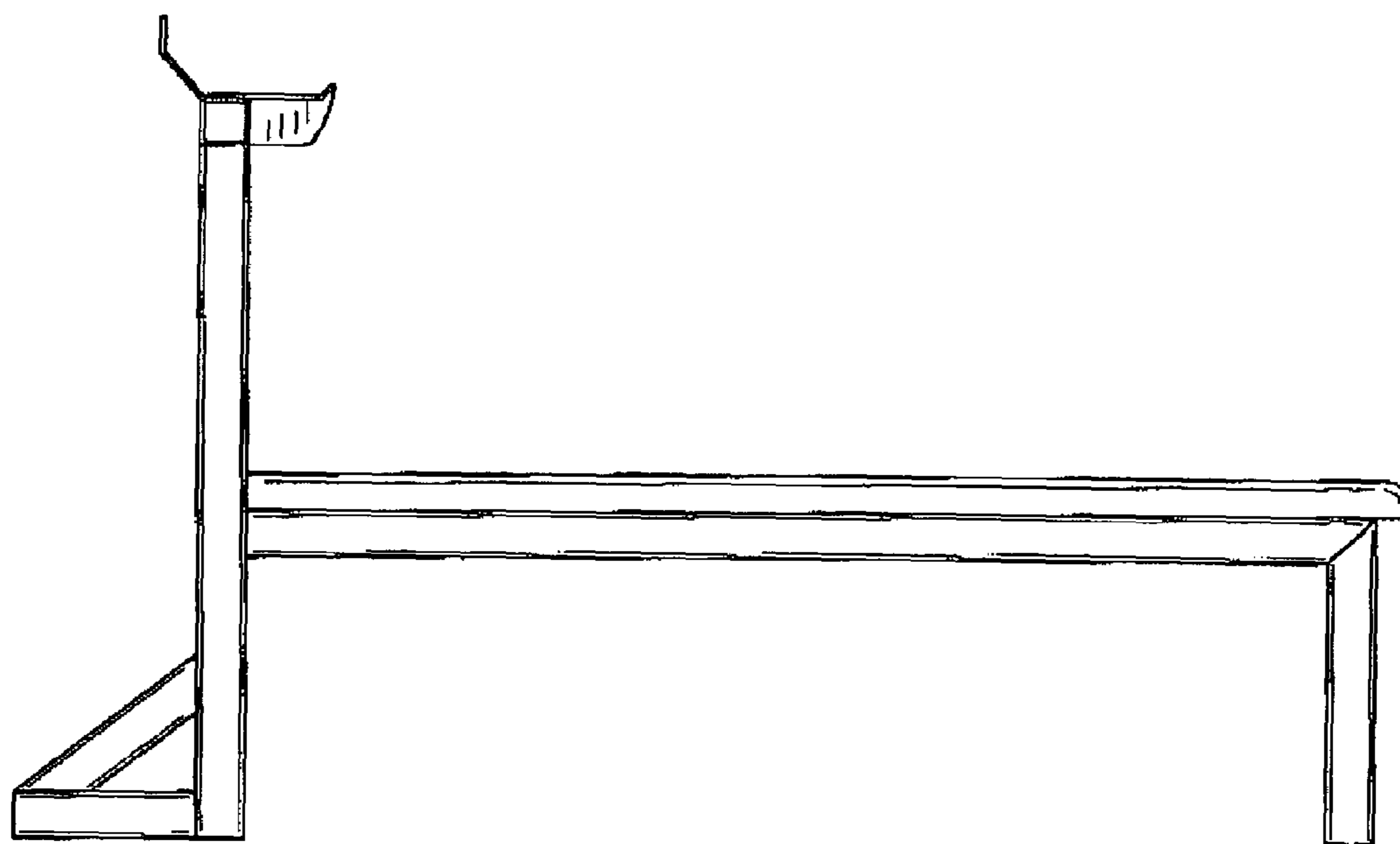


FIG. 3

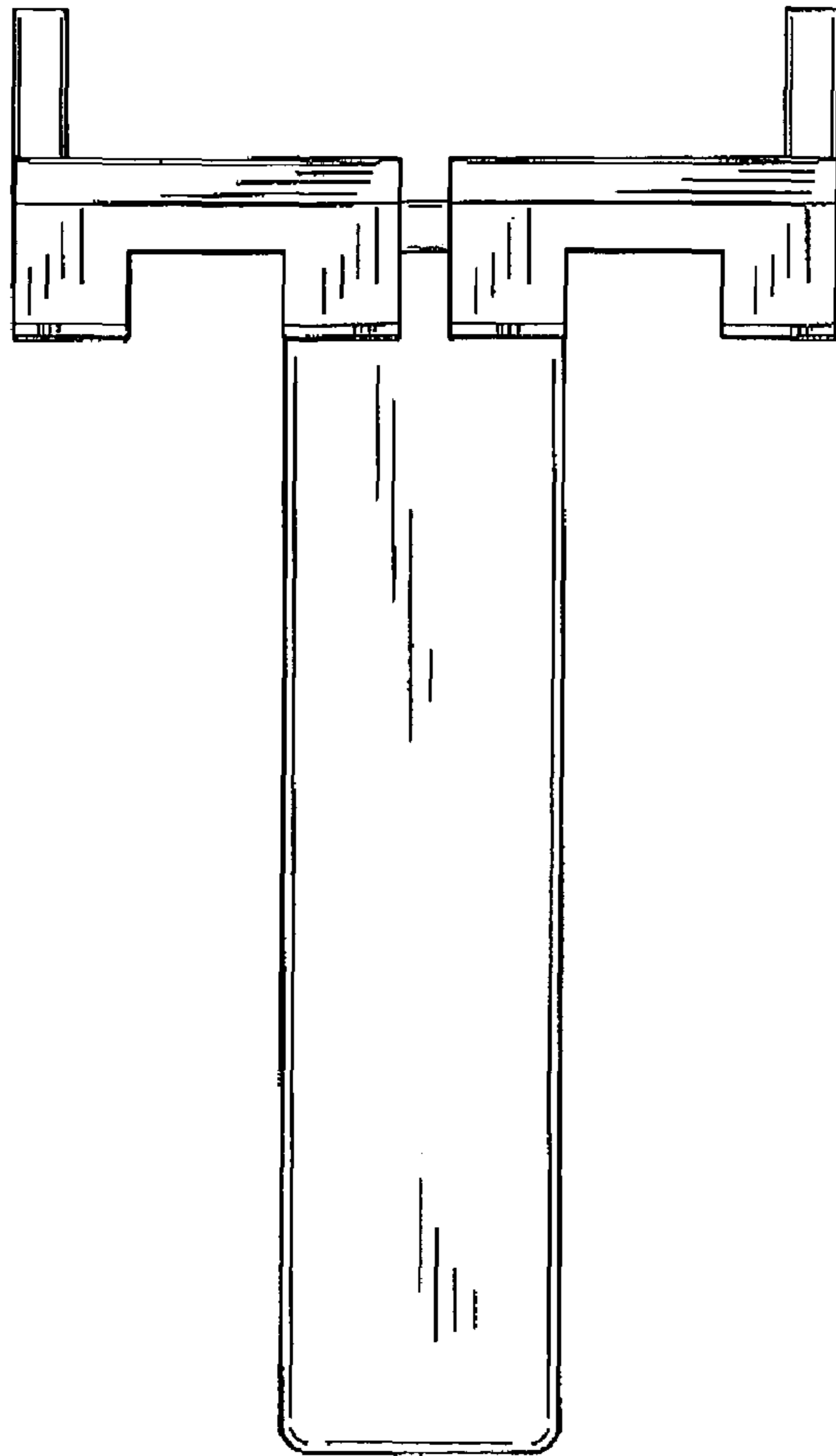


FIG. 4

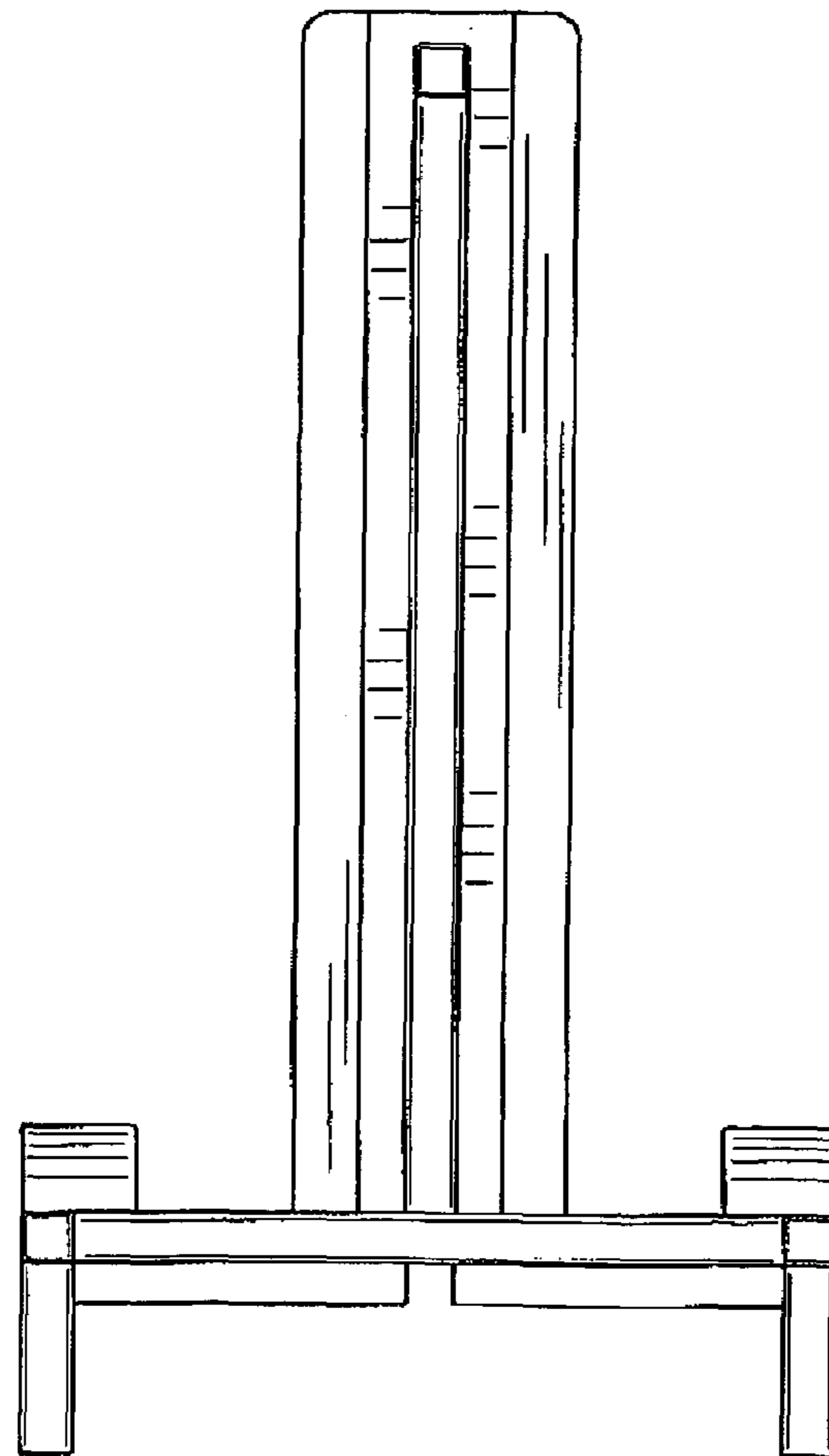


FIG. 5

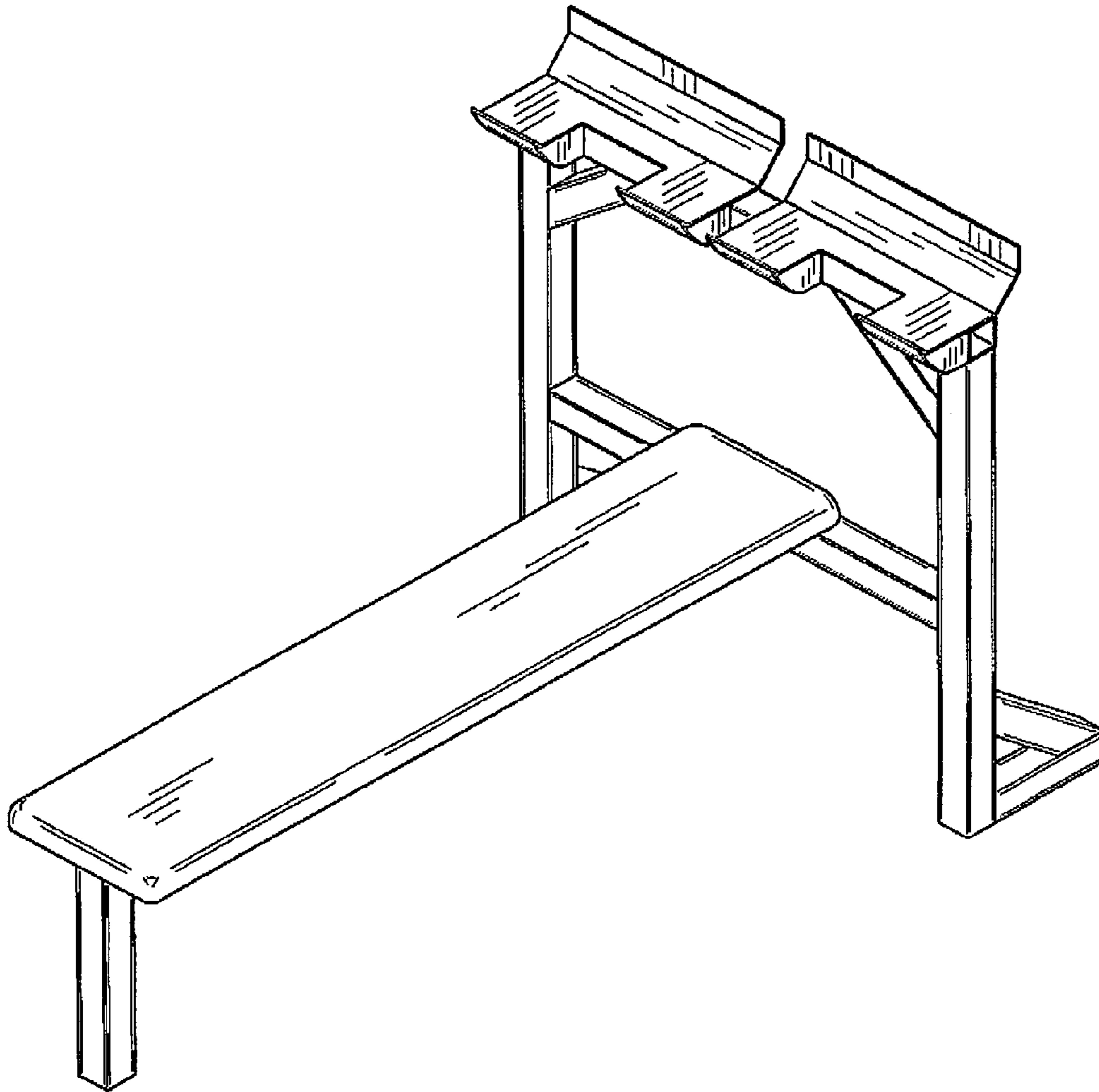


FIG. 6