



US00D578167S

(12) **United States Design Patent**  
**Harris**

(10) **Patent No.:** **US D578,167 S**  
(45) **Date of Patent:** **\*\* Oct. 7, 2008**

(54) **GAME CONTROLLER COVER**

(76) Inventor: **Curtis J. Harris**, 14701 Seneca Rd.,  
Darnestown, MD (US) 20874

(\*\*) Term: **14 Years**

(21) Appl. No.: **29/269,458**

(22) Filed: **Dec. 1, 2006**

(51) **LOC (8) Cl.** ..... **21-01**

(52) **U.S. Cl.** ..... **D21/333; D14/401**

(58) **Field of Classification Search** ..... D21/324,  
D21/328, 333; D14/400, 401, 412-416;  
273/148 B; 463/1, 29-35, 38, 46, 47; 345/156,  
345/161, 903, 905

See application file for complete search history.

(56) **References Cited**

**U.S. PATENT DOCUMENTS**

5,046,739	A *	9/1991	Reichow	.....	273/148 B
5,501,458	A *	3/1996	Mallory	.....	273/148 B
D396,495	S *	7/1998	Hirokane	.....	D21/385
D452,247	S *	12/2001	Flynn	.....	D14/454
D453,758	S *	2/2002	Han et al.	.....	D14/401
D464,996	S *	10/2002	Hussaini et al.	.....	D21/333
D521,567	S *	5/2006	Svensden et al.	.....	D21/333
D534,962	S *	1/2007	Svensden et al.	.....	D21/333
D544,481	S *	6/2007	Maddox et al.	.....	D14/401
D547,763	S *	7/2007	Hayes et al.	.....	D14/454
D567,814	S *	4/2008	Zalewski et al.	.....	D14/401
2005/0269769	A1 *	12/2005	Naghi et al.	.....	273/148 B
2007/0045951	A1 *	3/2007	Robertson et al.	.....	273/148 B

\* cited by examiner

*Primary Examiner*—Prabhakar Deshmukh  
(74) *Attorney, Agent, or Firm*—Squire, Sanders & Dempsey  
L.L.P.

(57) **CLAIM**

The ornamental design for a game controller cover, as shown and described.

**DESCRIPTION**

FIG. 1 is a perspective view of a game controller cover showing my new design;

FIG. 2 is a front elevational view thereof;

FIG. 3 is a bottom plan view thereof;

FIG. 4 is a top plan view thereof;

FIG. 5 is a rear elevational view thereof;

FIG. 6 is a left side elevational view thereof;

FIG. 7 is a right side elevational view thereof;

FIG. 8 is a front elevational view thereof, with the cover shown in an extended position;

FIG. 9 is rear elevational view of FIG. 8;

FIG. 10 is a rear elevational view of another embodiment of FIG. 9;

FIG. 11 is a perspective view of a second embodiment of FIG. 1;

FIG. 12 is a front elevational view of FIG. 11;

FIG. 13 is a bottom plan view of FIG. 11;

FIG. 14 is a top plan view of FIG. 11;

FIG. 15 is a rear elevational view of FIG. 11;

FIG. 16 is a left side elevational view of FIG. 11;

FIG. 17 is a right side elevational view of FIG. 11;

FIG. 18 is a front elevational view of FIG. 11, with the cover shown in an extended position;

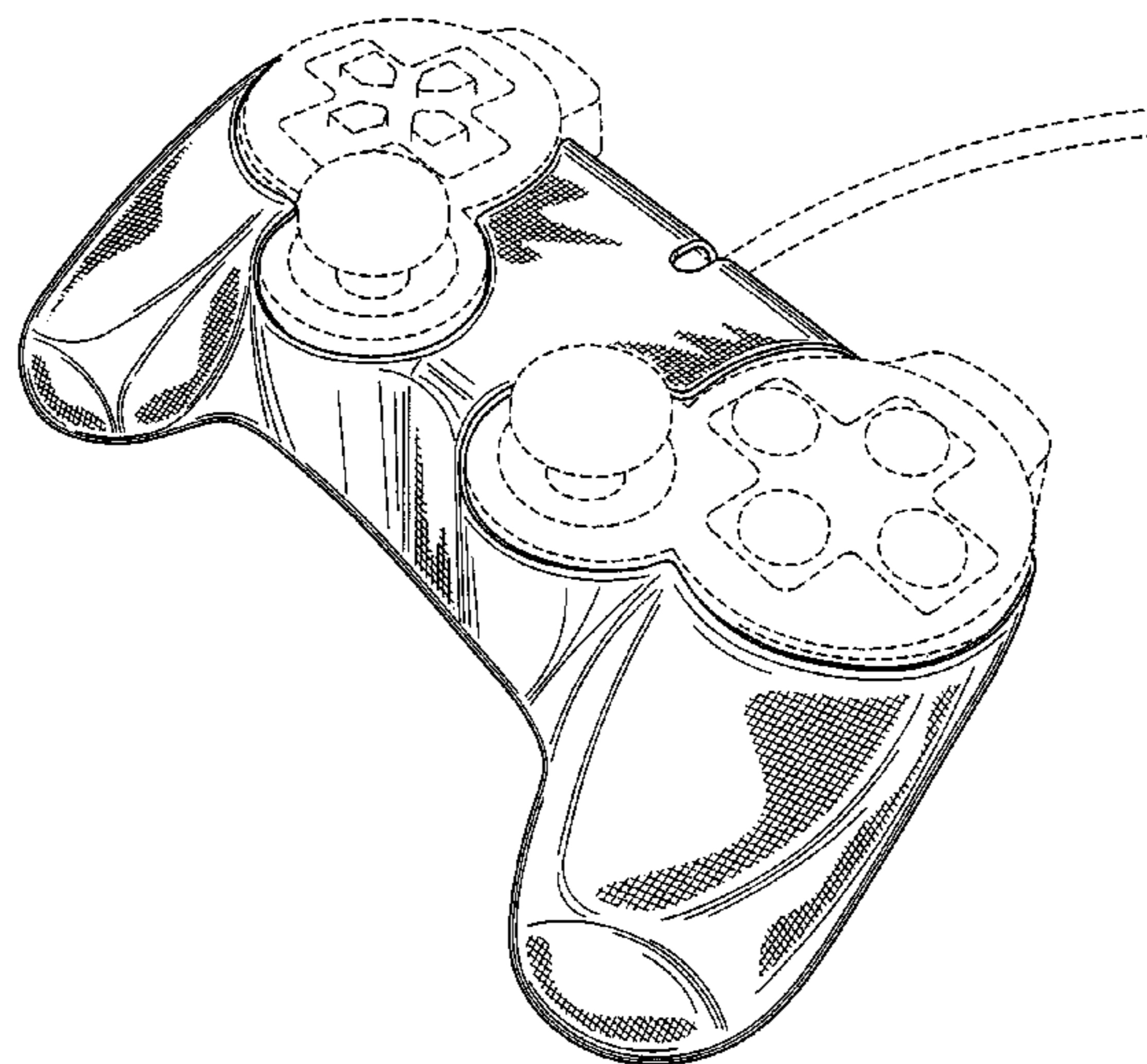
FIG. 19 is a rear elevational of FIG. 18; and,

FIG. 20 is a rear elevational view of another embodiment of FIG. 19.

The broken lines, which define the bounds of the claimed design, form no part thereof.

The broken lines environmental are for illustrative purpose only and form no part thereof.

**1 Claim, 18 Drawing Sheets**



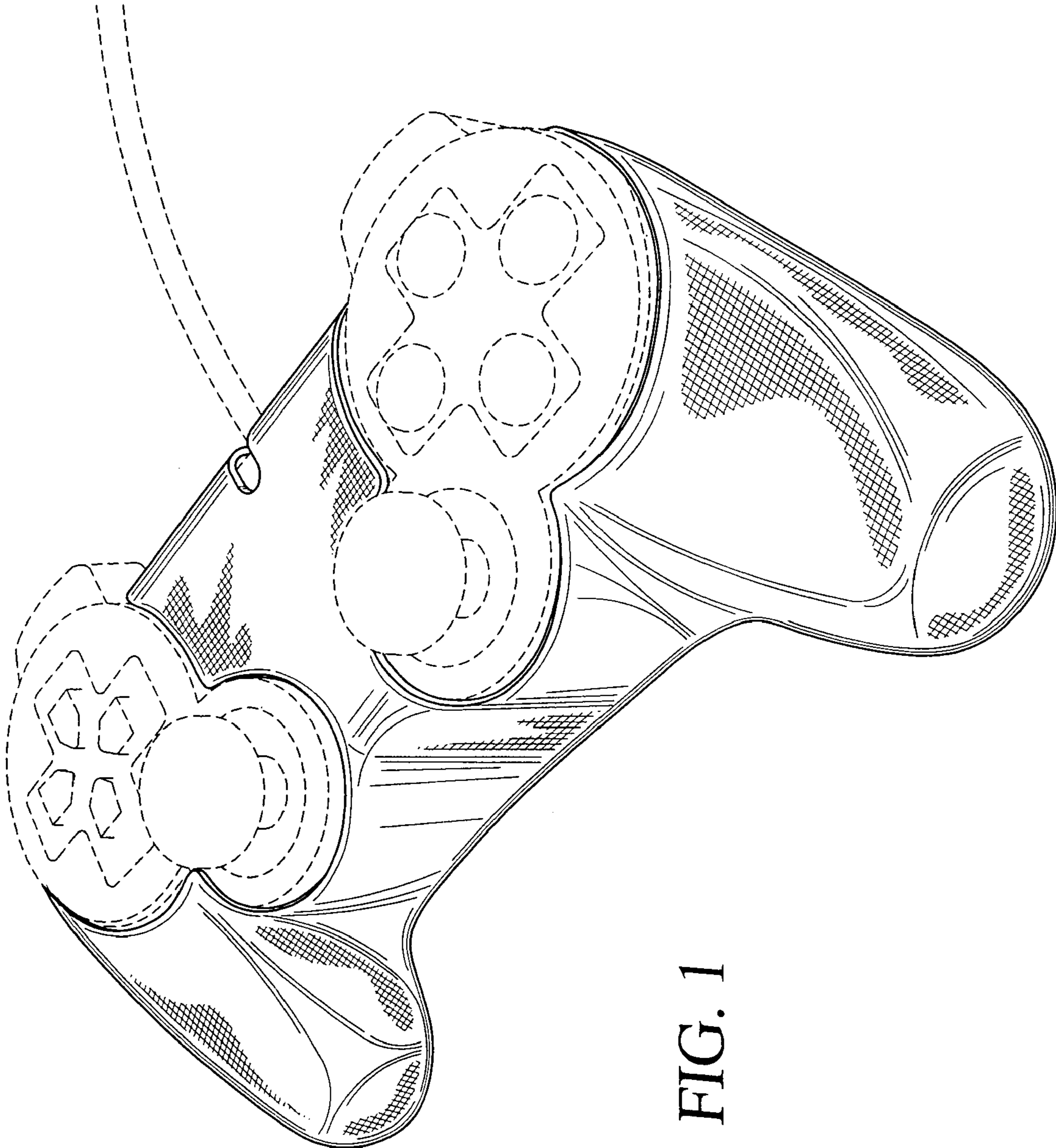


FIG. 1

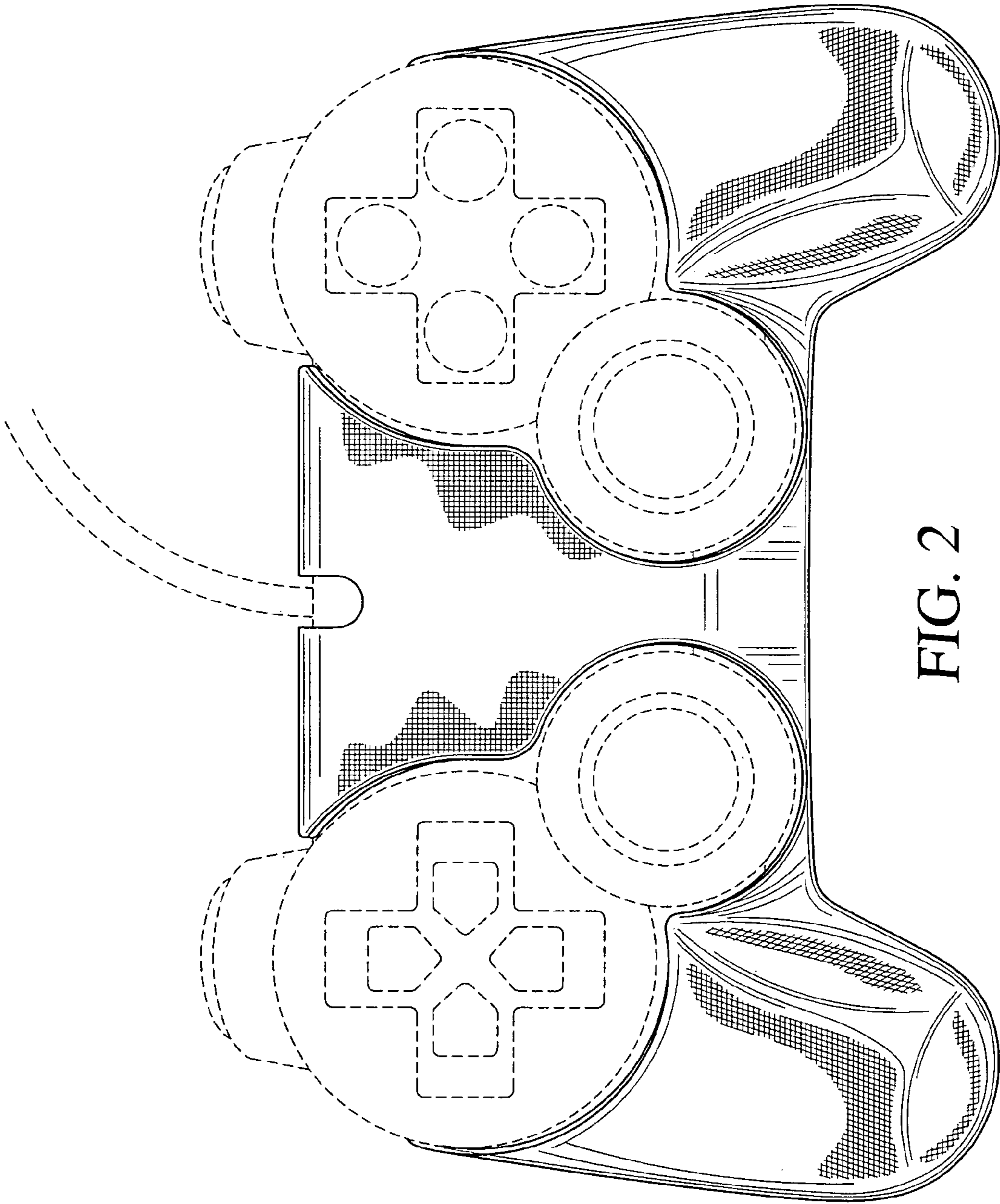


FIG. 2

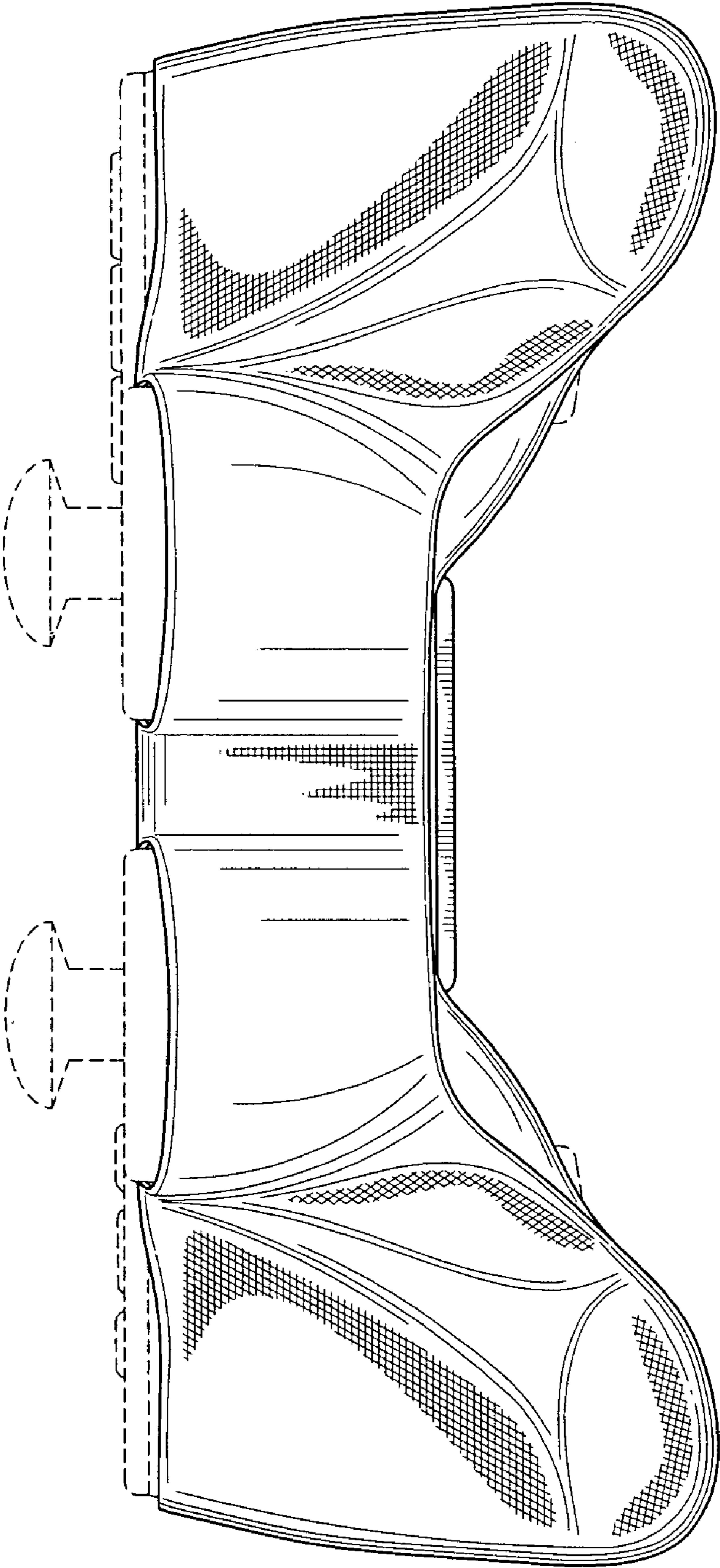


FIG. 3

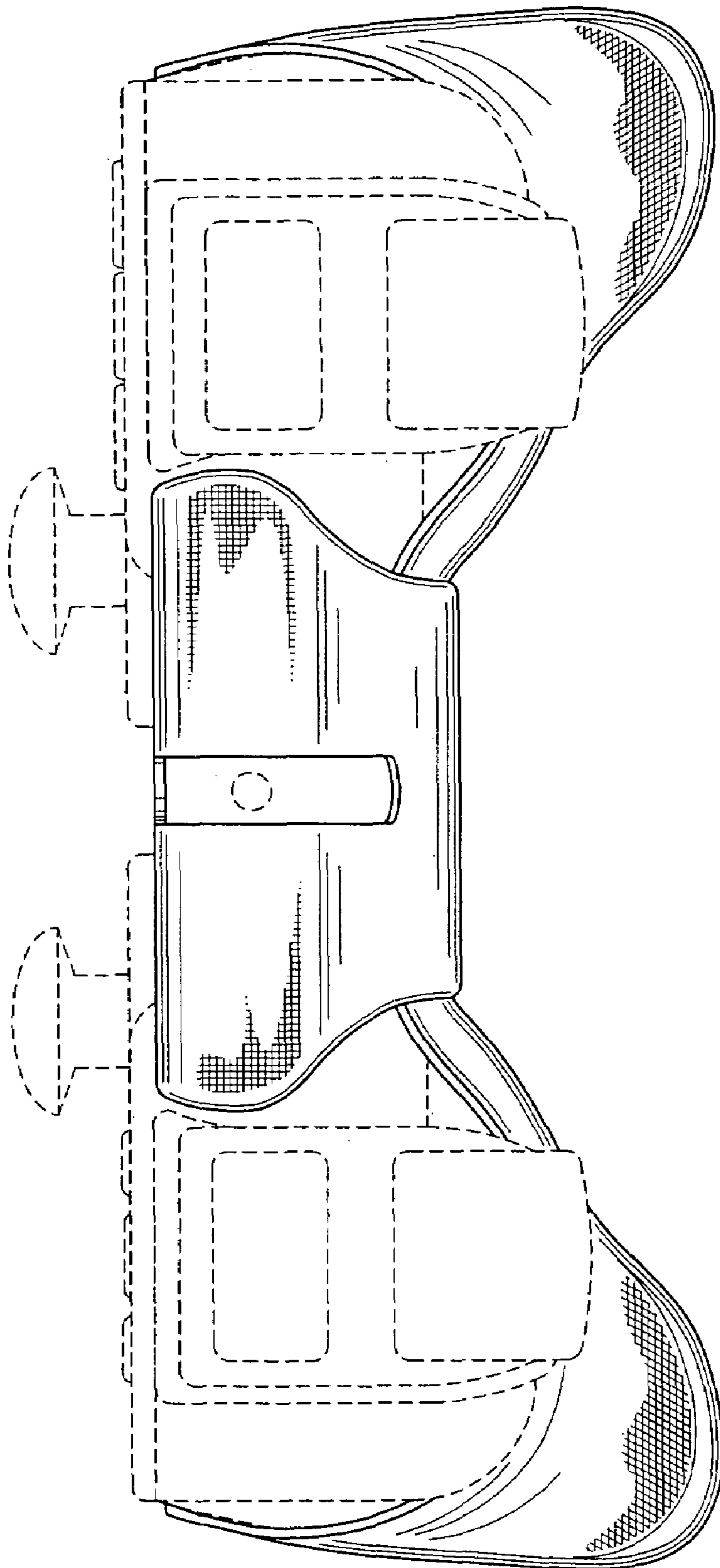


FIG. 4

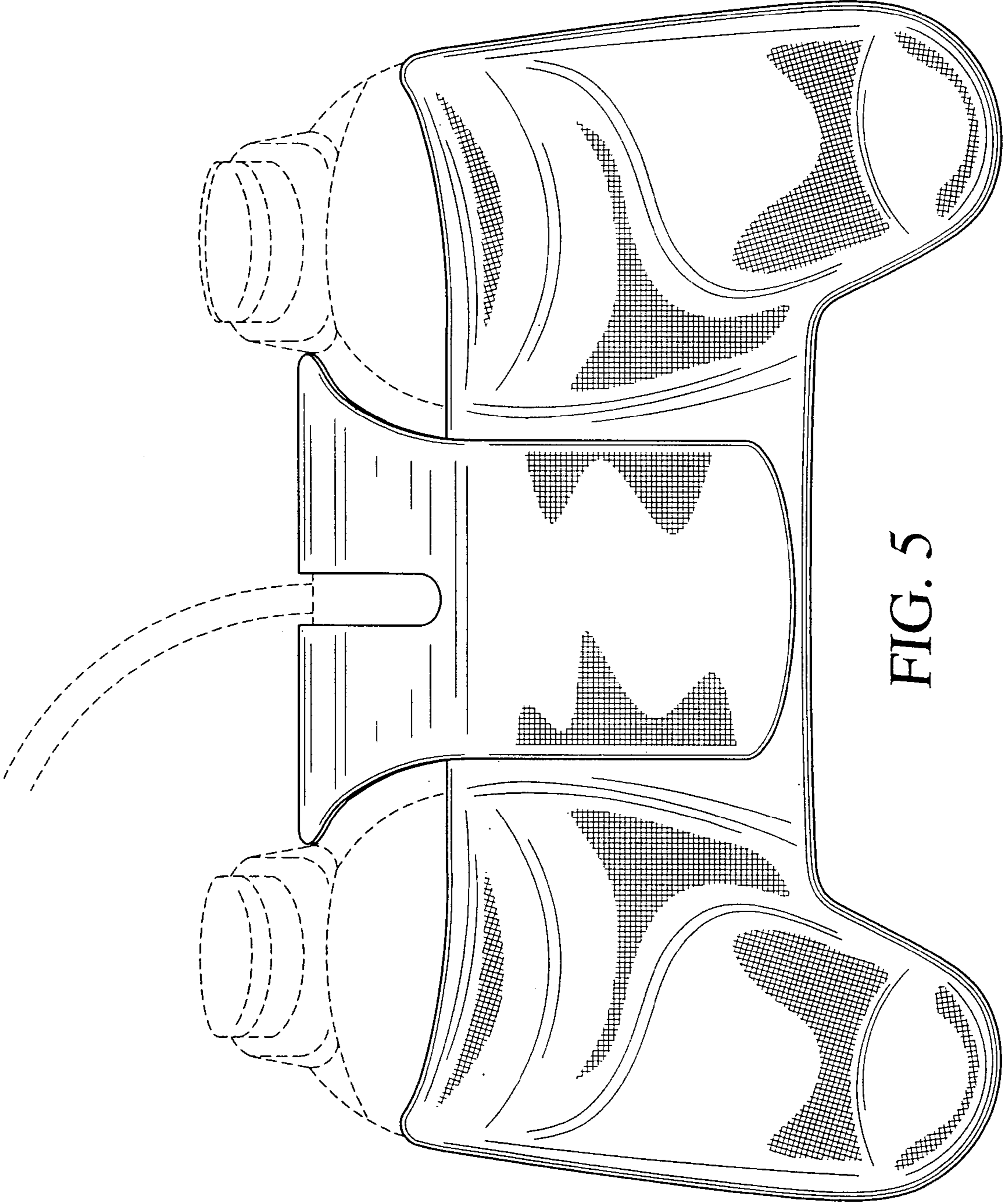
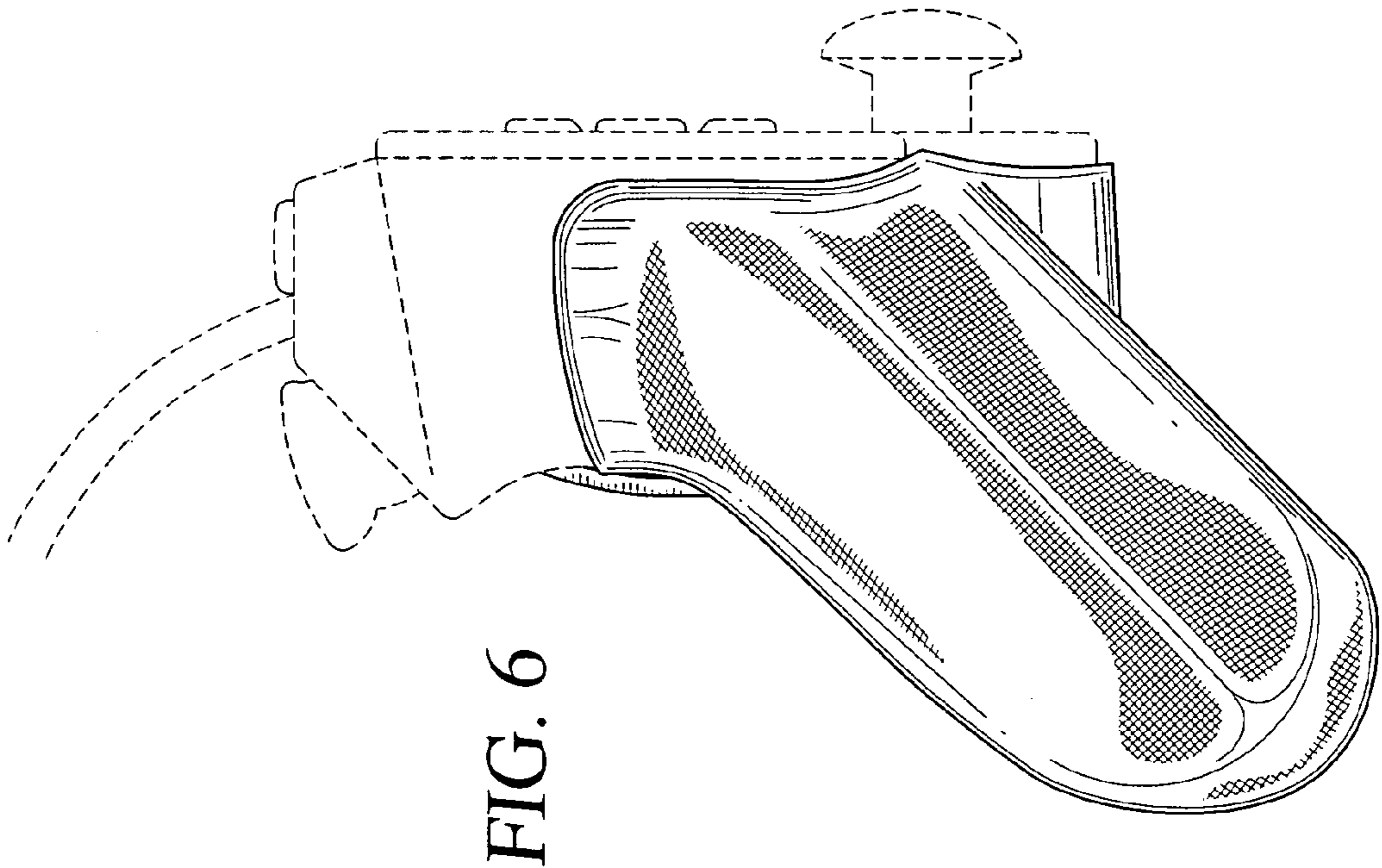
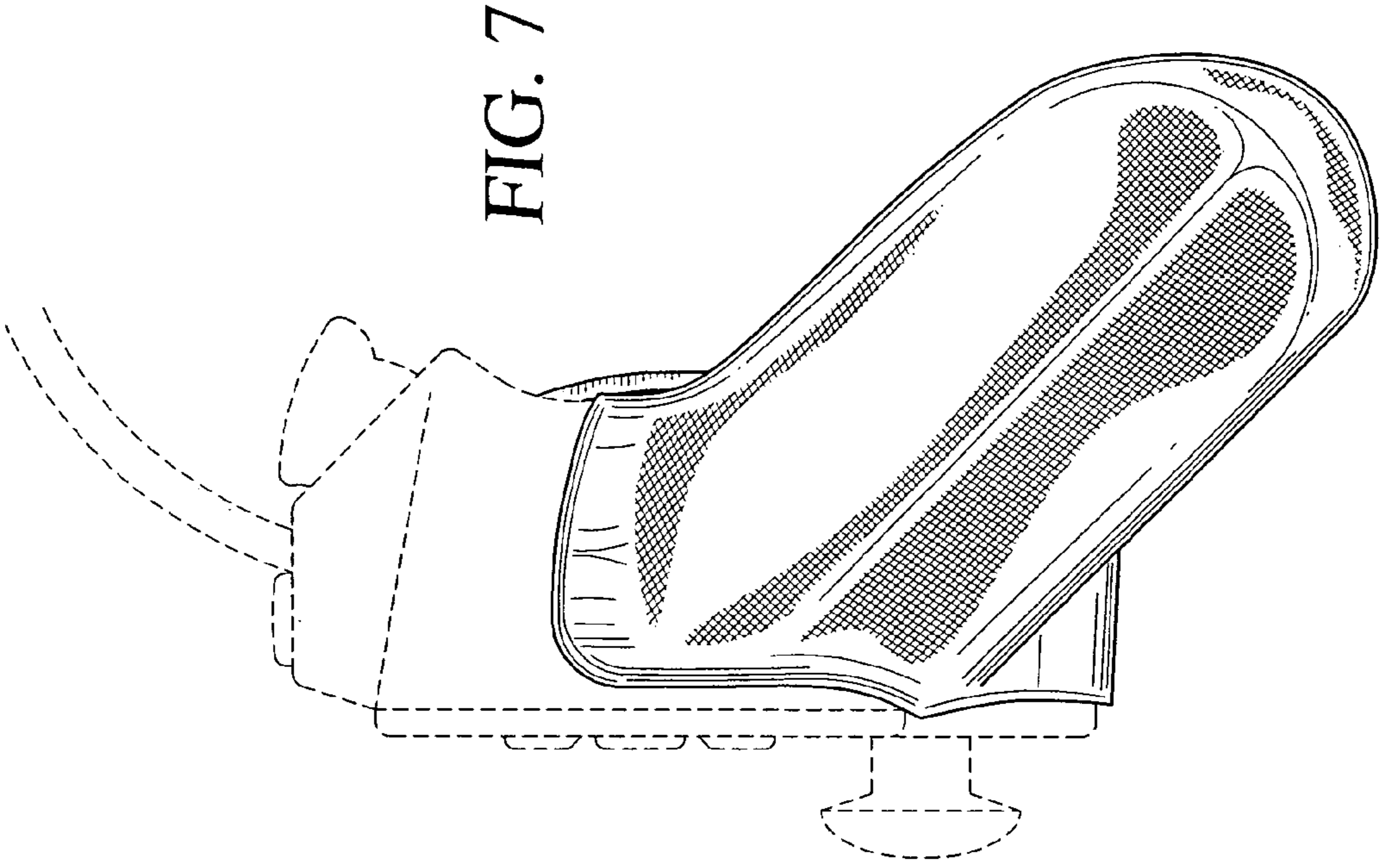


FIG. 5



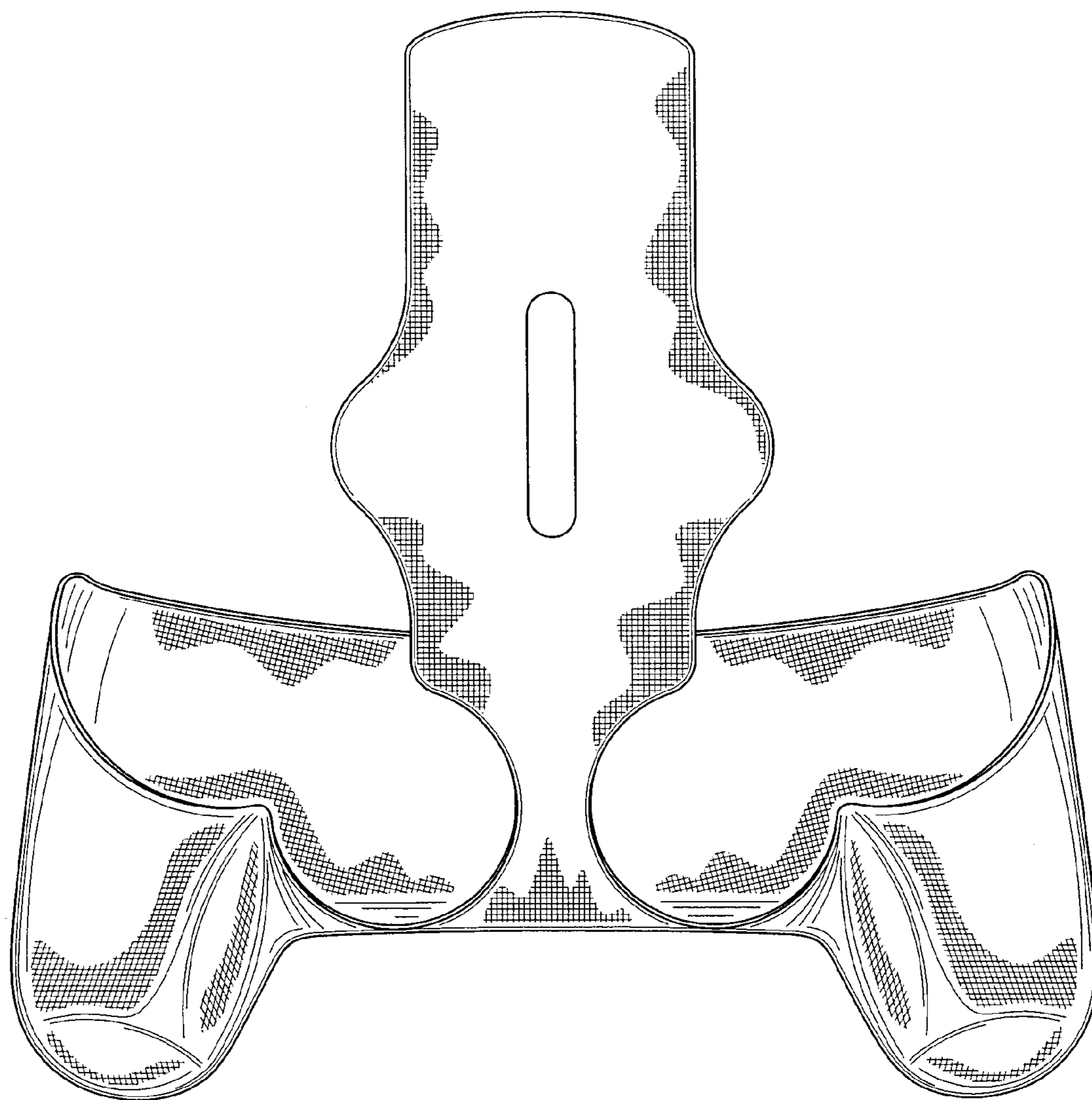


FIG. 8



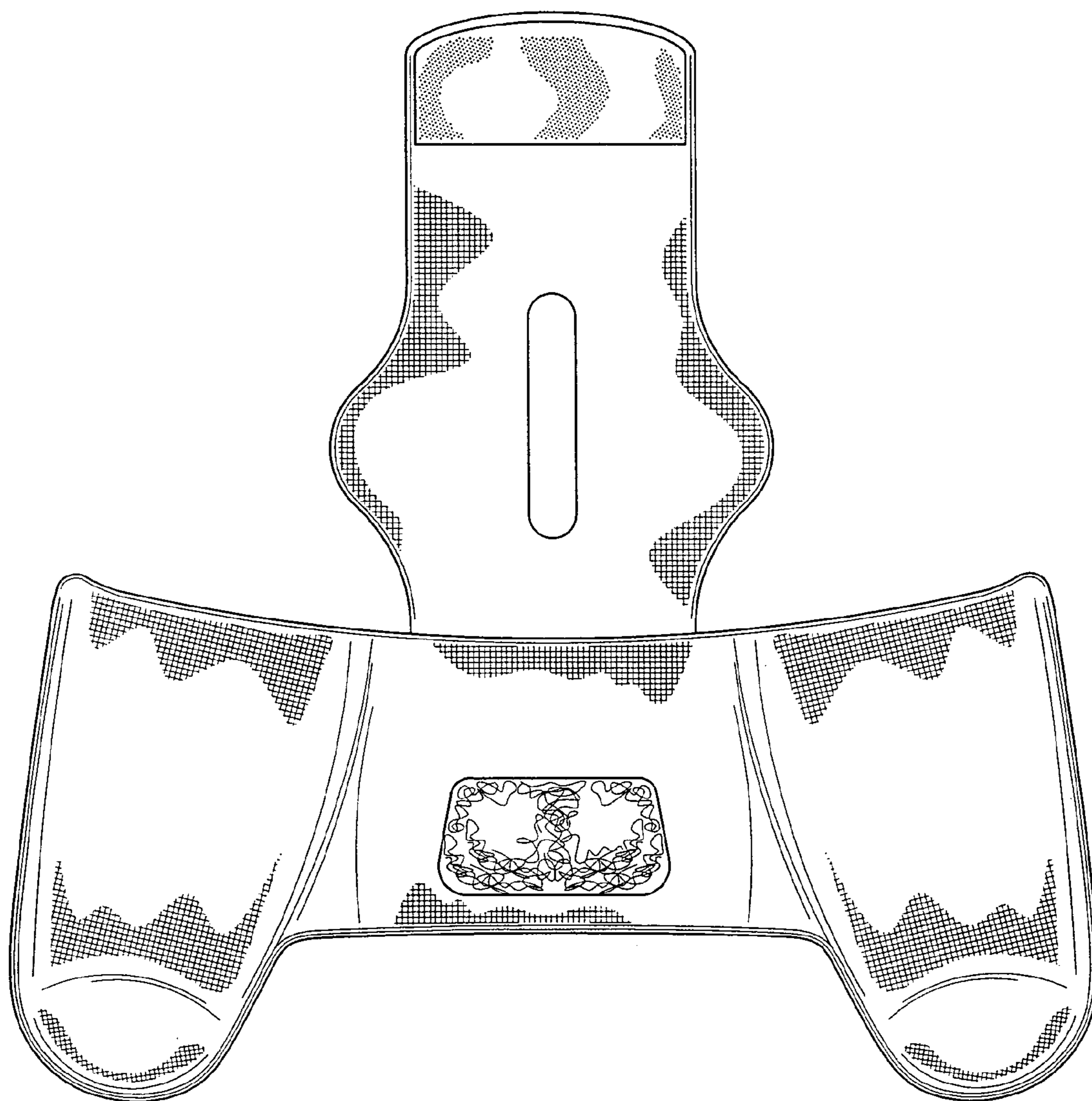


FIG. 9

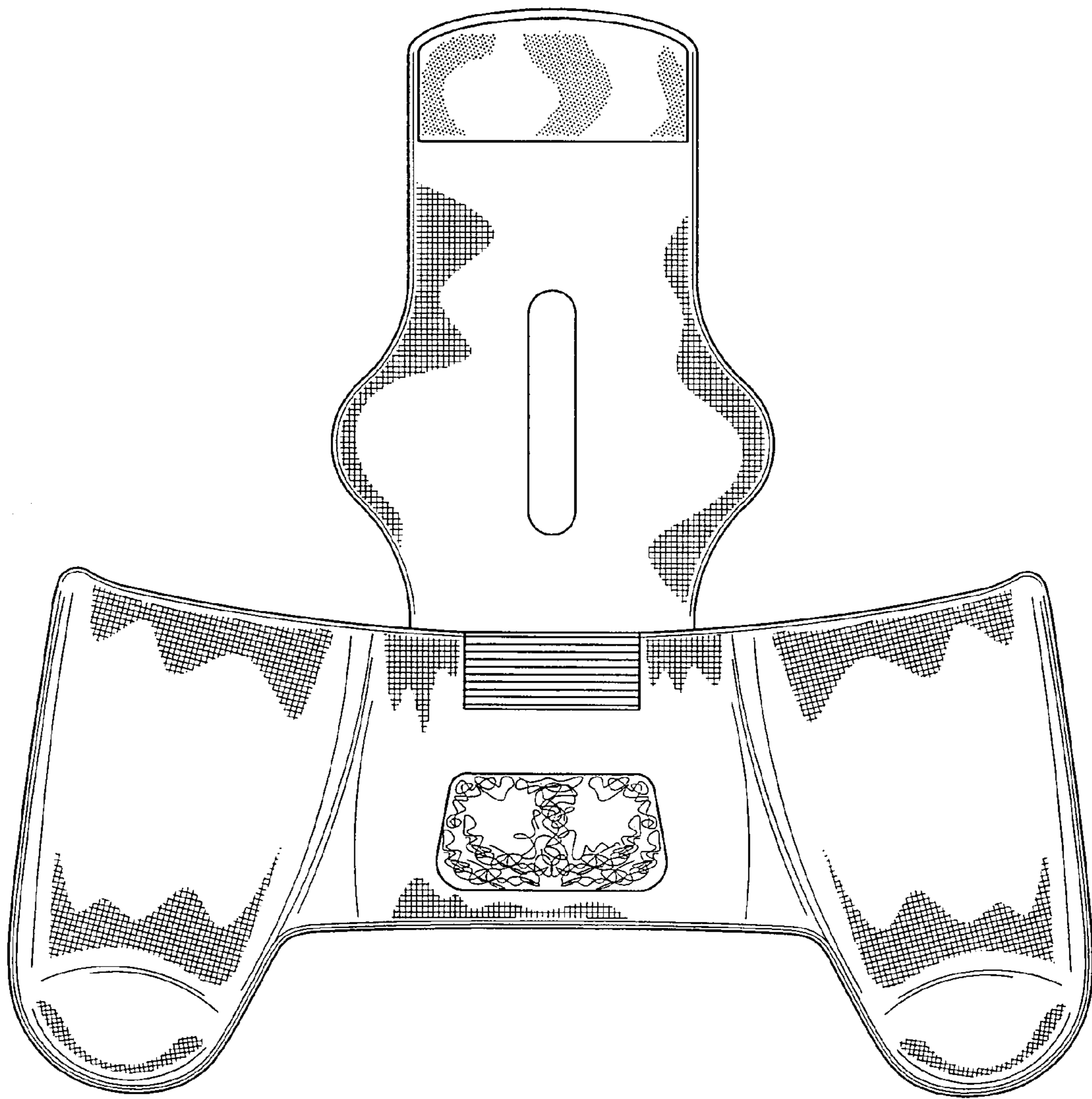


FIG. 10

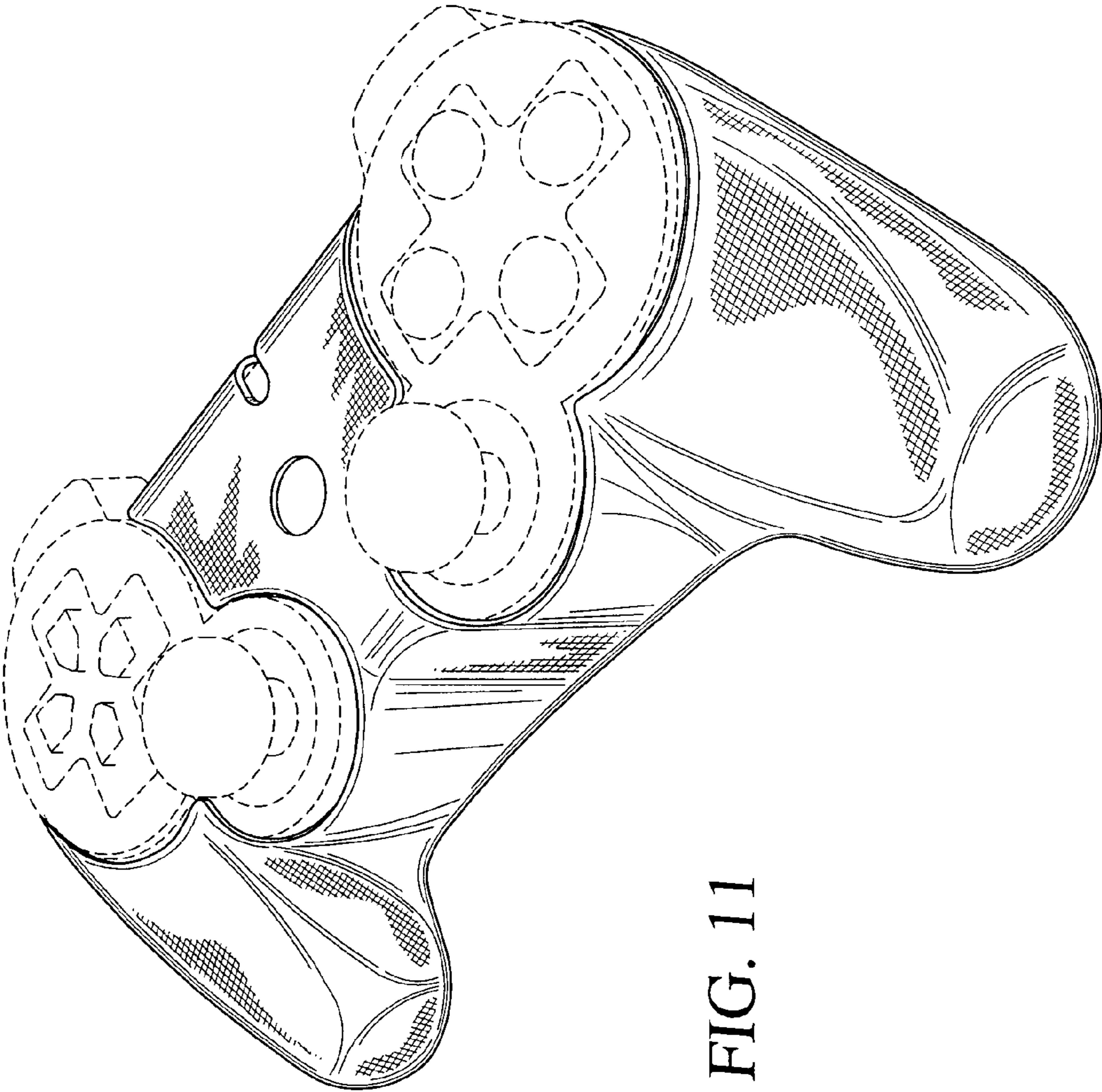


FIG. 11

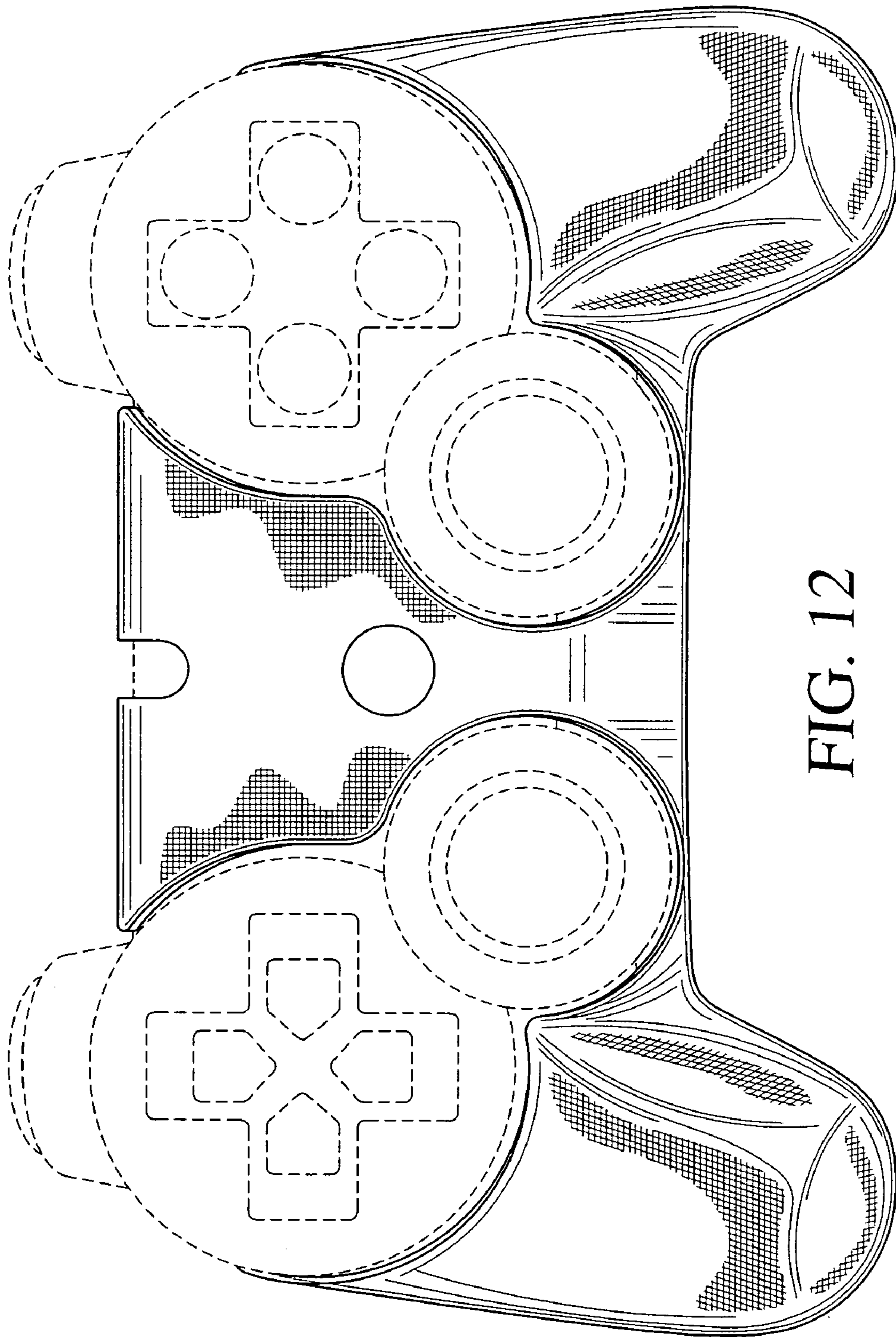


FIG. 12

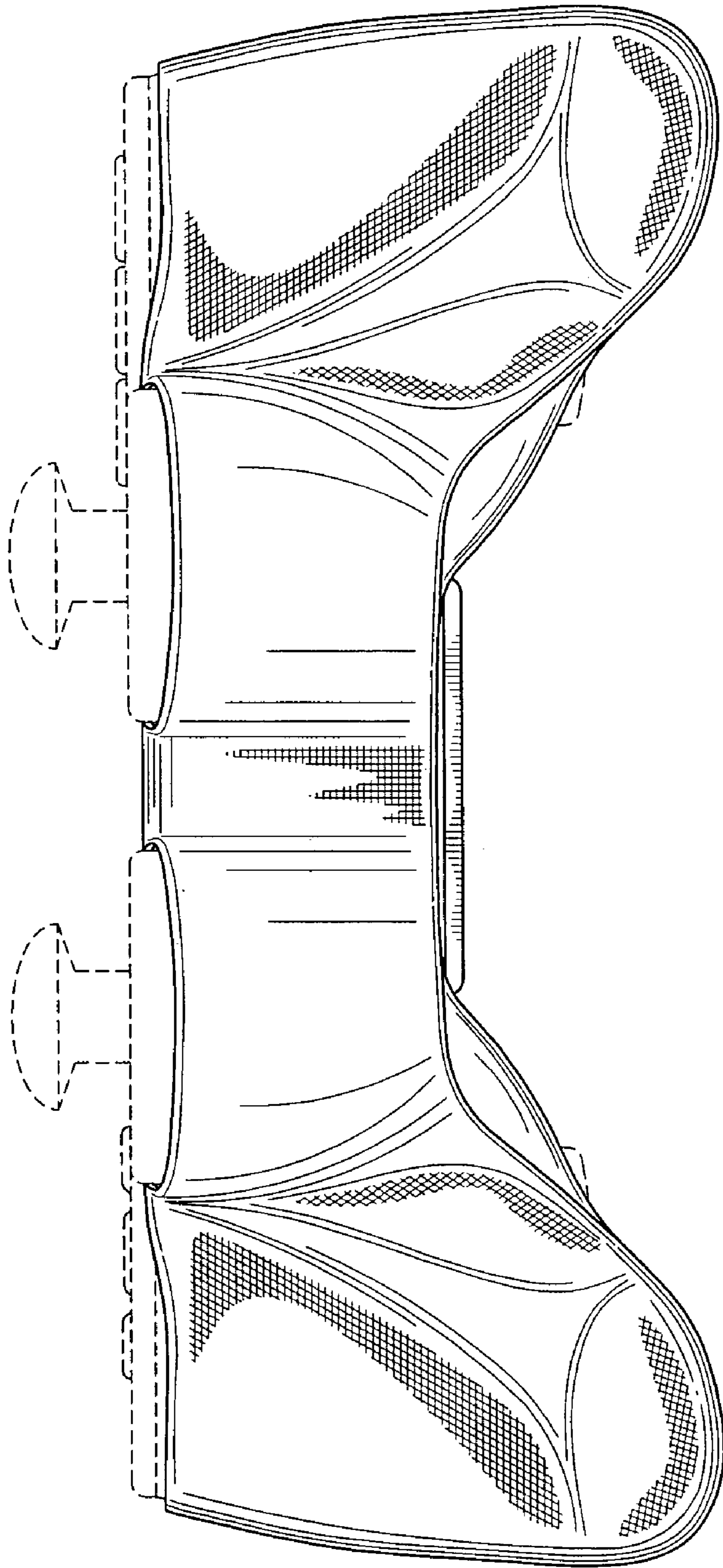


FIG. 13

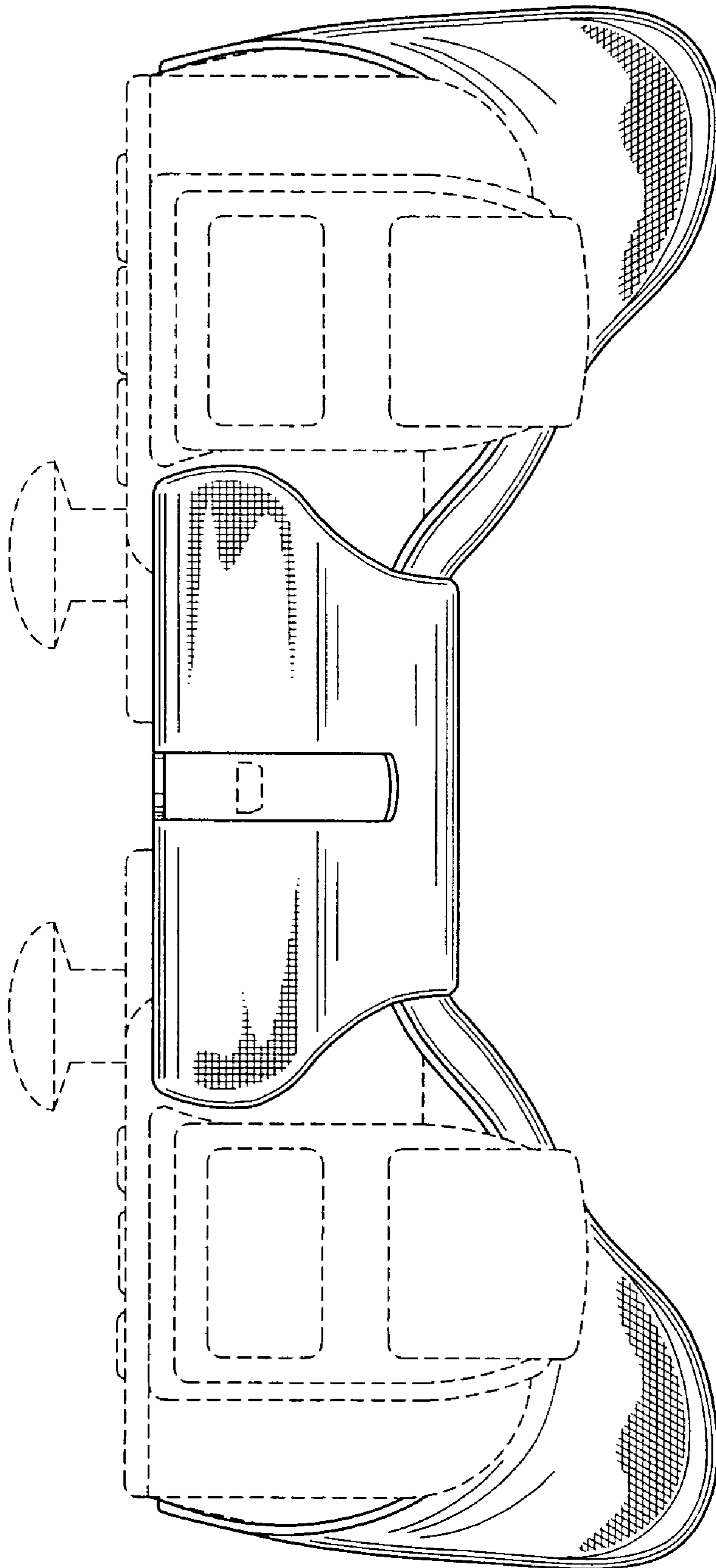


FIG. 14

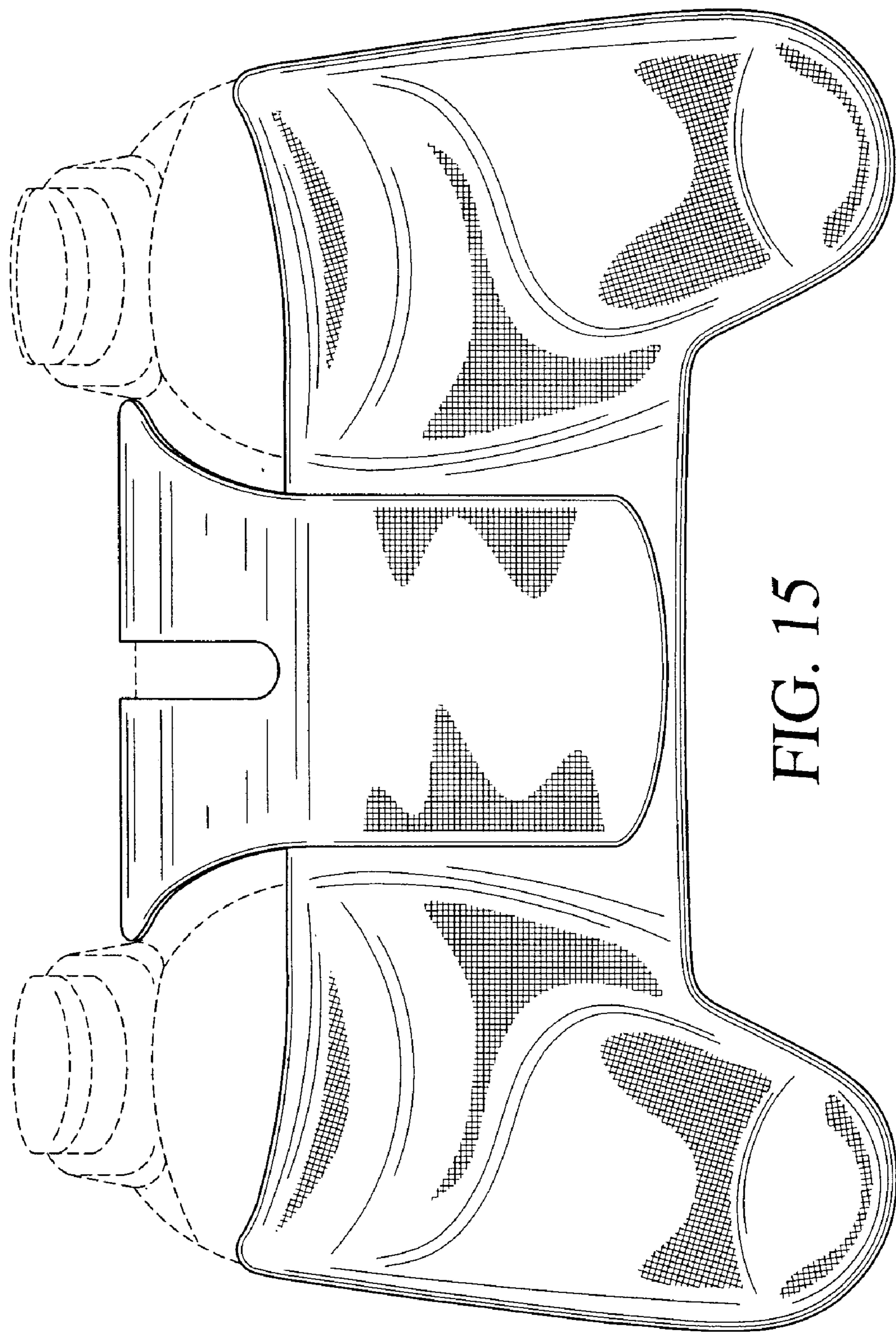


FIG. 15

FIG. 17

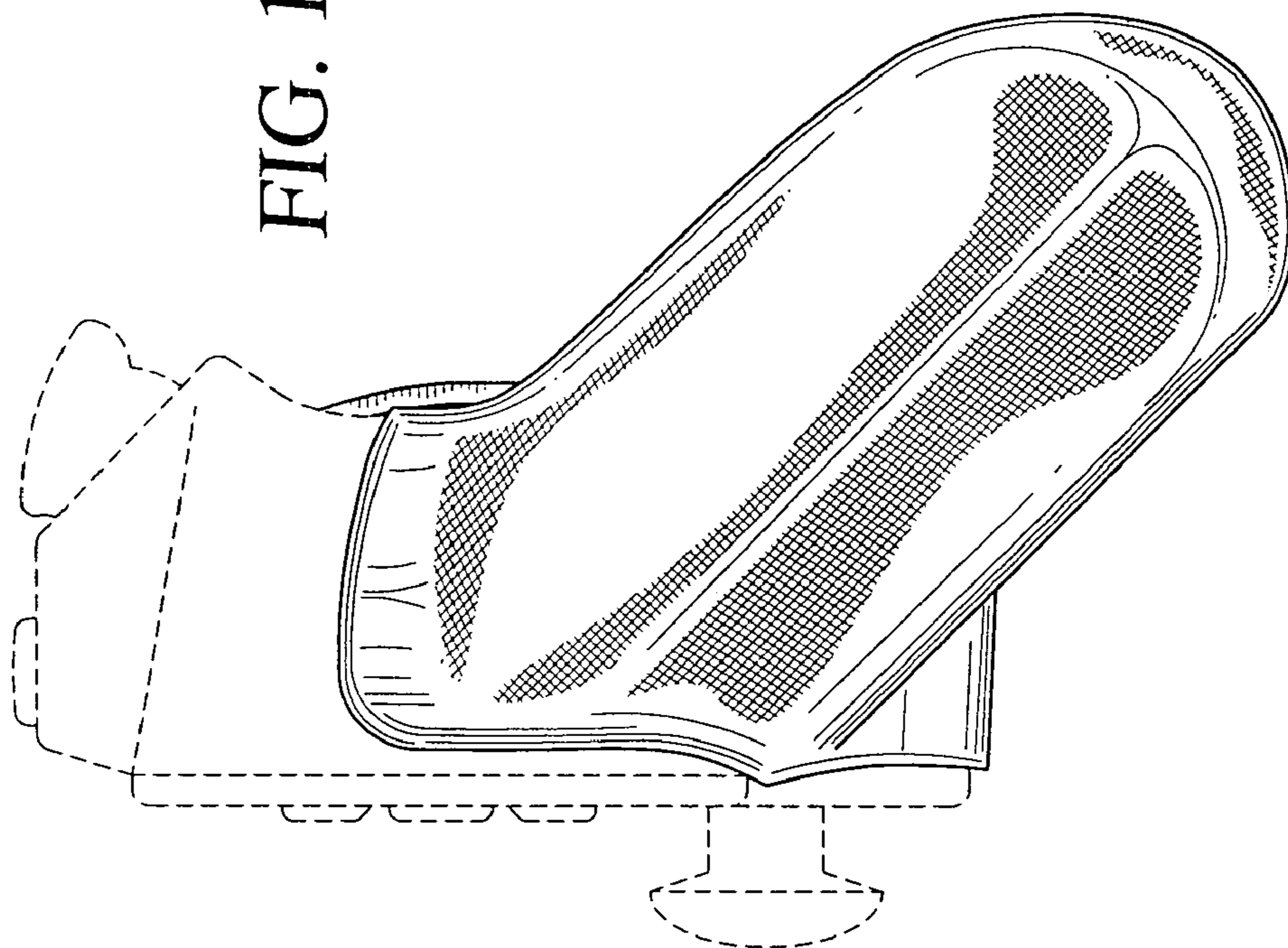
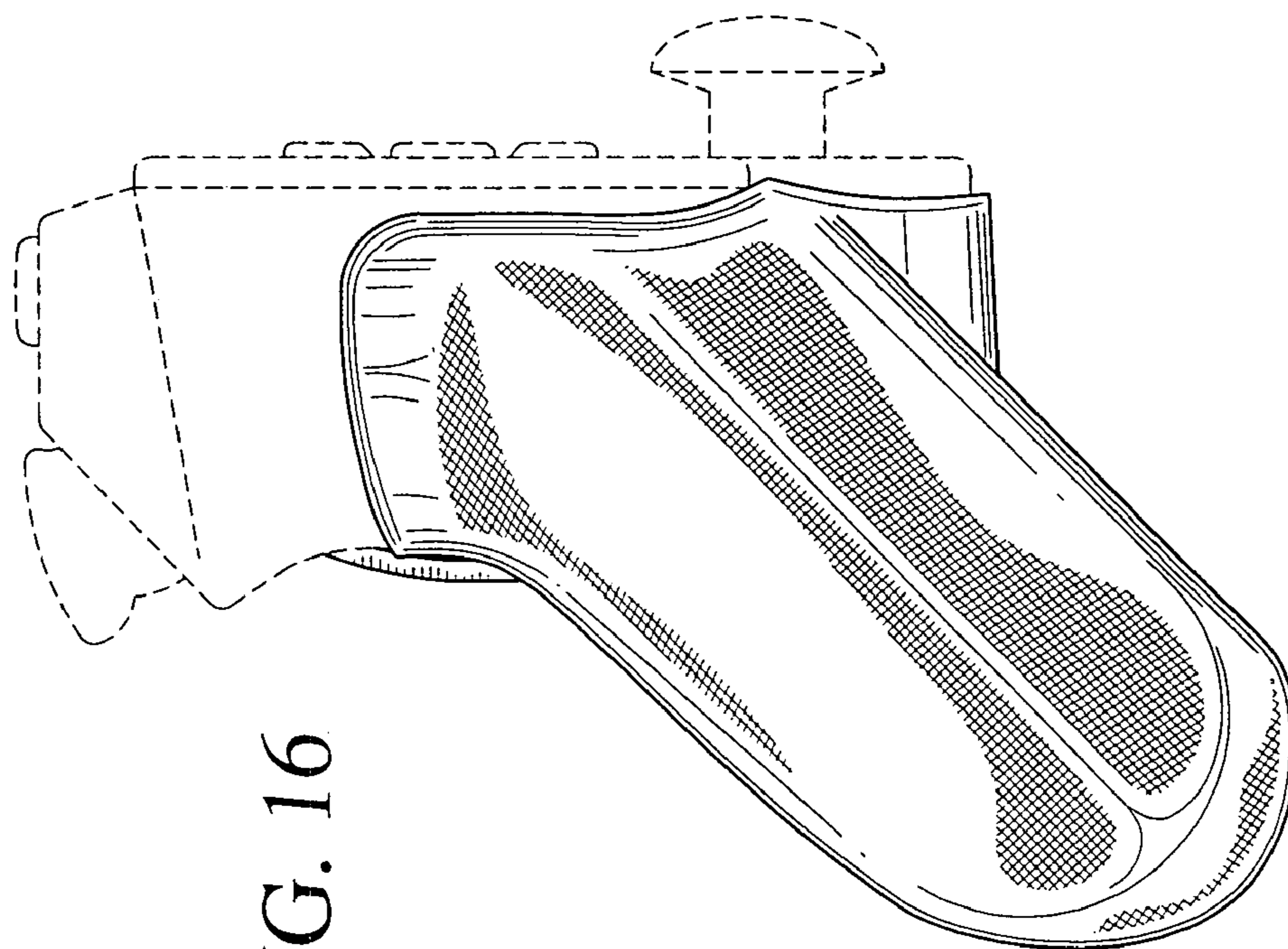


FIG. 16





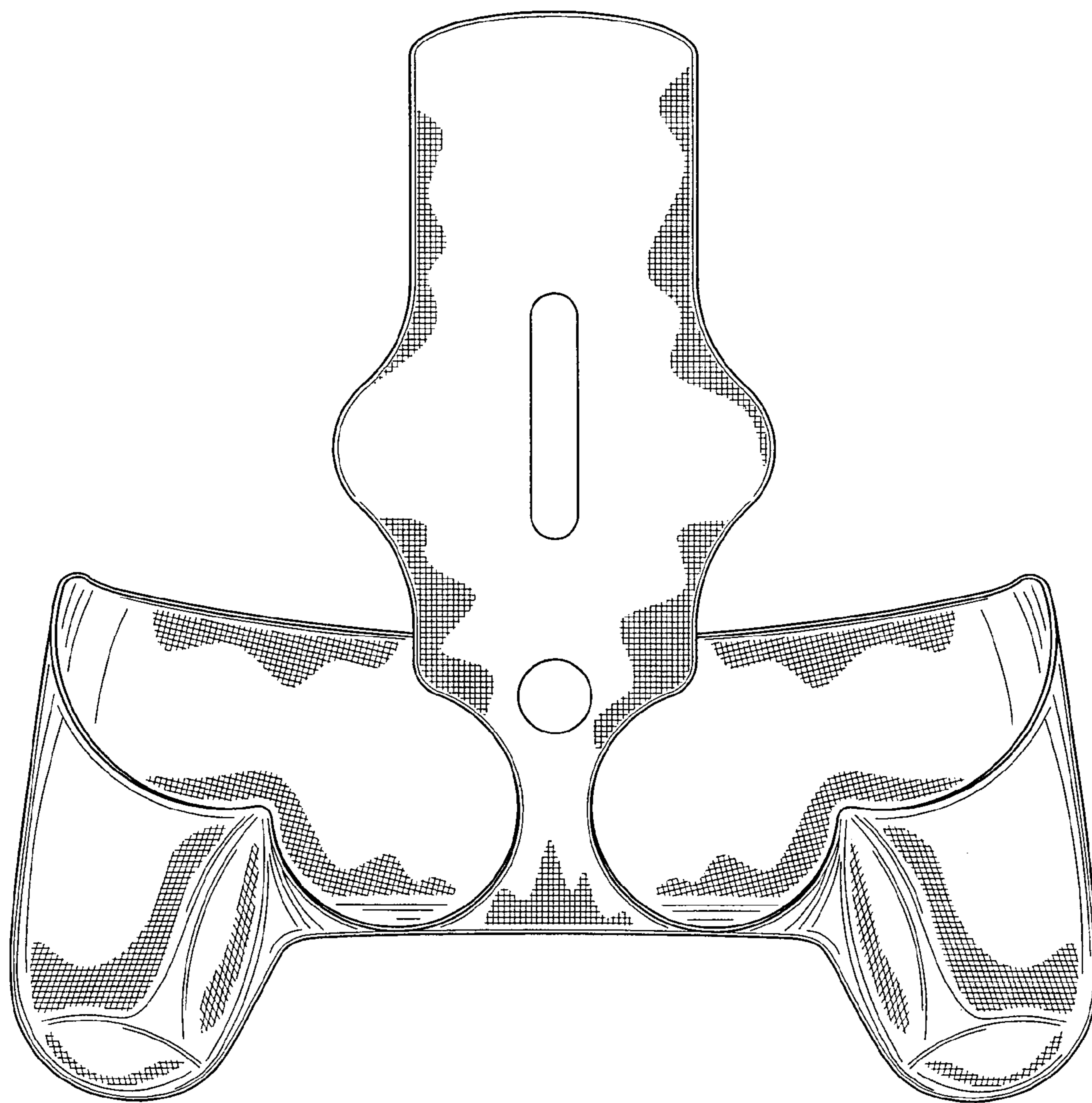


FIG. 18

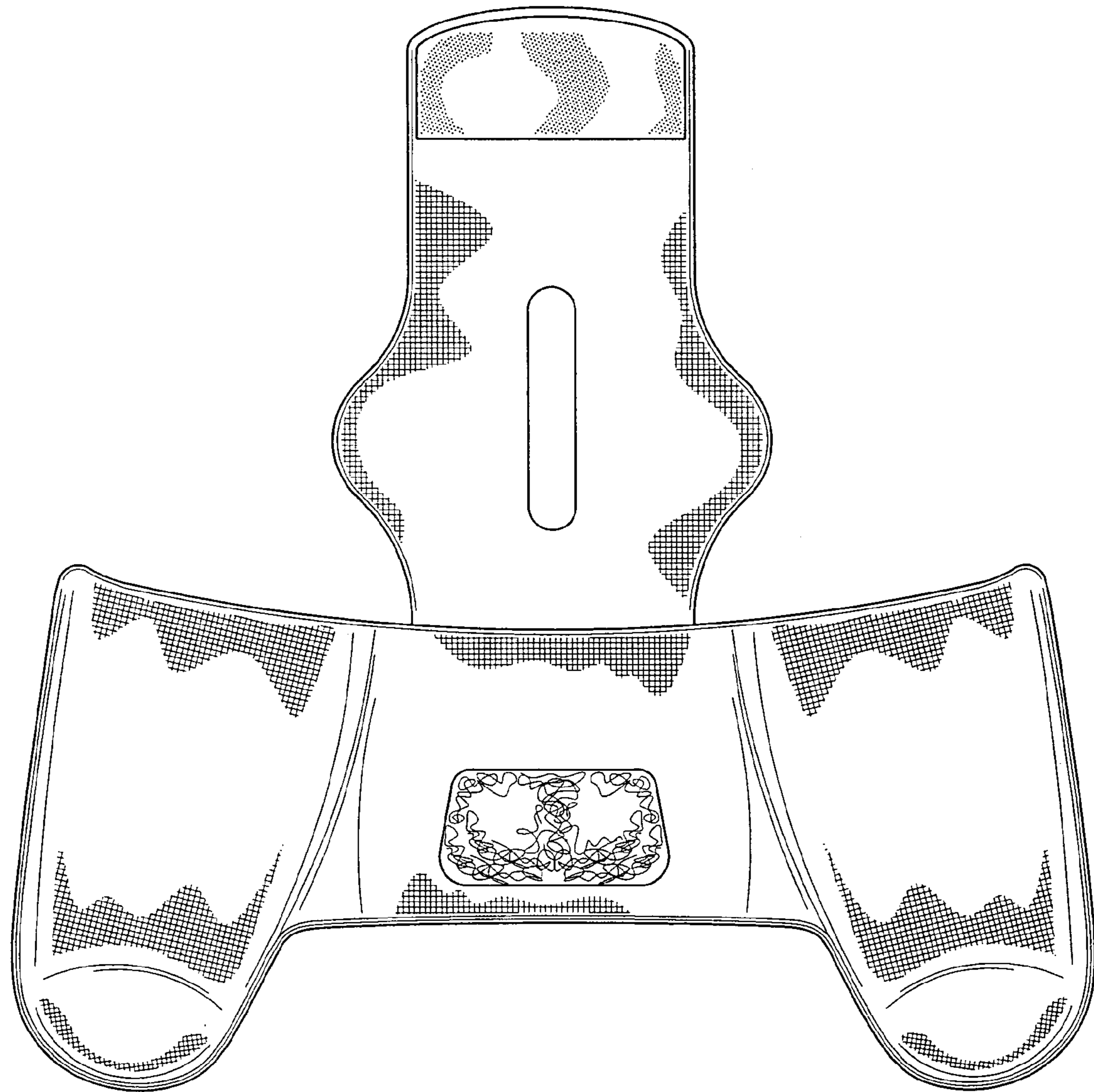


FIG. 19

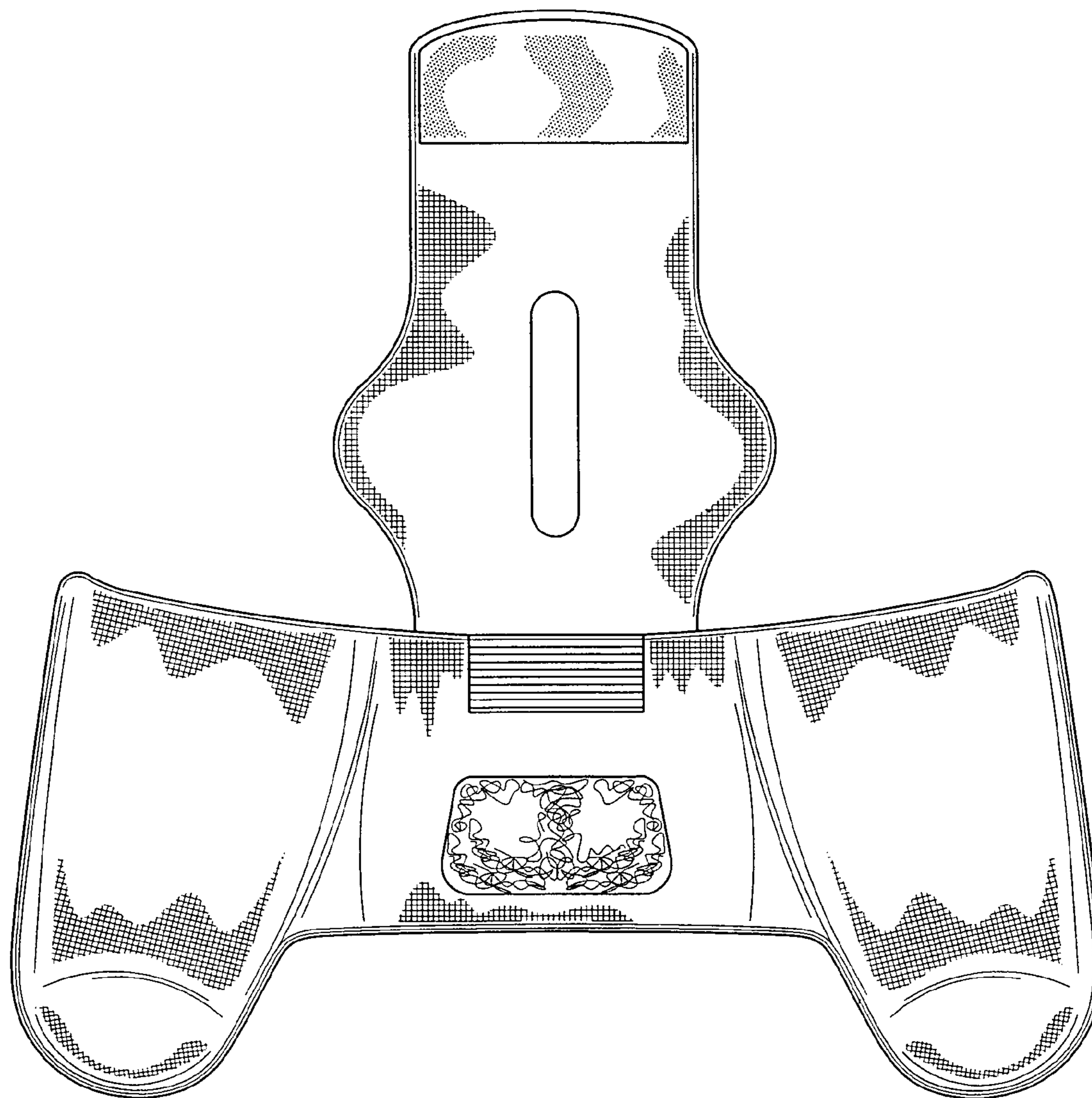


FIG. 20