



US00D578166S

(12) **United States Design Patent**
Wiroll

(10) **Patent No.:** **US D578,166 S**
(45) **Date of Patent:** **** Oct. 7, 2008**

(54) **YARD GAME TARGET**

(76) Inventor: **Henry J. Wiroll**, 103 Lake Ct.,
Sheboygan, WI (US) 53081

(**) Term: **14 Years**

(21) Appl. No.: **29/294,742**

(22) Filed: **Jan. 25, 2008**

(51) **LOC (8) Cl.** **21-01**

(52) **U.S. Cl.** **D21/302**

(58) **Field of Classification Search** D21/302,
D21/301, 699, 800; 273/343, 348, 317, 354,
273/398, 407, 410, 446, 462; 472/92, 454;
463/47.5, 49

See application file for complete search history.

(56) **References Cited**

U.S. PATENT DOCUMENTS

469,554	A	2/1892	Favor	
507,098	A	10/1893	Bates	
593,343	A	11/1897	Whitney	
1,072,954	A	9/1913	Junn	
1,199,564	A	9/1916	Judge	
1,515,146	A *	11/1924	Clark	446/322
2,797,924	A	7/1957	Stewart	
3,701,531	A	10/1972	Bowers	
3,717,348	A	2/1973	Bowers	
3,814,428	A	6/1974	Foley	
3,908,992	A *	9/1975	Cunningham et al.	473/477
D250,283	S *	11/1978	Norton	D21/699
4,487,419	A	12/1984	Welbourn	
4,629,188	A *	12/1986	Mahieu	473/454
5,165,694	A	11/1992	Kraushaar	
D333,685	S *	3/1993	Rodriguez	D21/598
6,068,260	A	5/2000	Dean	
6,220,976	B1	4/2001	Kaiser et al.	
6,308,956	B1	10/2001	Reid	
D478,938	S	8/2003	Vande Hey et al.	
D478,939	S *	8/2003	McReynolds	D21/302
6,773,014	B2 *	8/2004	Lynch	273/343

6,773,015	B2	8/2004	Long et al.	
6,808,175	B1	10/2004	Gleeson	
6,889,982	B1	5/2005	Gove	
7,004,468	B2	2/2006	Johnson et al.	
7,134,661	B2	11/2006	Trecartin	
7,198,273	B1	4/2007	Advocate	
7,328,902	B1 *	2/2008	White et al.	273/343
2002/0084588	A1	7/2002	Lynch	
2002/0125644	A1	9/2002	Knudson	
2003/0098545	A1	5/2003	Web	
2005/0017455	A1	1/2005	Long et al.	
2005/0082761	A1	4/2005	Lynch	
2005/0116420	A1	6/2005	Burgett	
2005/0269784	A1	12/2005	Peters	
2006/0055116	A1	3/2006	Senecal	
2006/0125184	A1	6/2006	Benson	
2007/0035093	A1	2/2007	Fuchs	
2007/0257438	A1	11/2007	Deal	

* cited by examiner

Primary Examiner—Prabhakar Deshmukh

(74) *Attorney, Agent, or Firm*—Ryan Kromholz & Manion,
S.C.

(57) **CLAIM**

The ornamental design for a yard game target, as shown and described.

DESCRIPTION

FIG. 1 is a front perspective view of a yard game target and showing my new design;

FIG. 2 is a front elevation view thereof, the rear elevation view being identical;

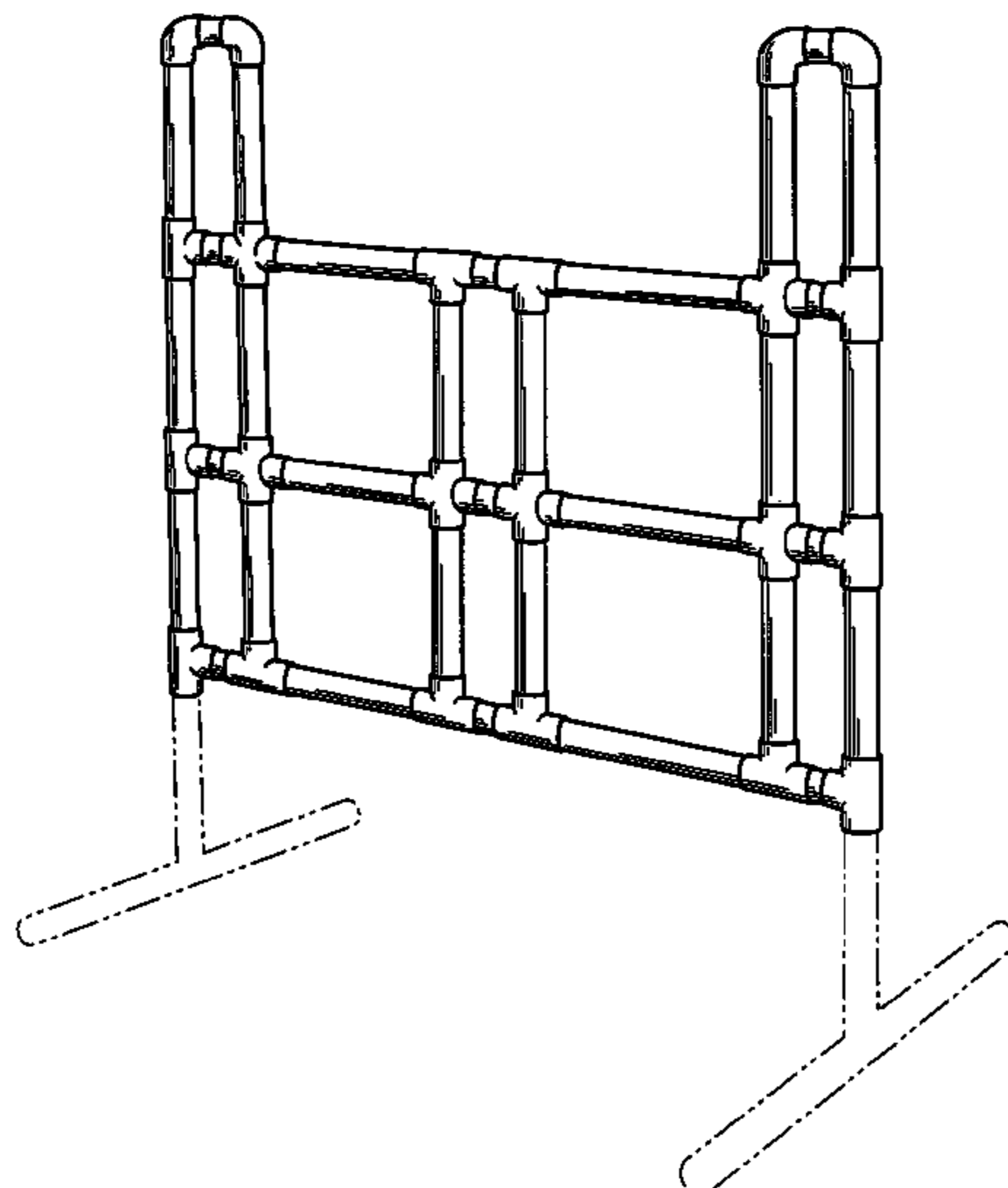
FIG. 3 is a right side elevation view thereof, the left side elevation view being identical;

FIG. 4 is a top plan view thereof; and,

FIG. 5 is a bottom plan view thereof.

The broken lines are for illustrative purpose only and form no part of the claimed design.

1 Claim, 2 Drawing Sheets



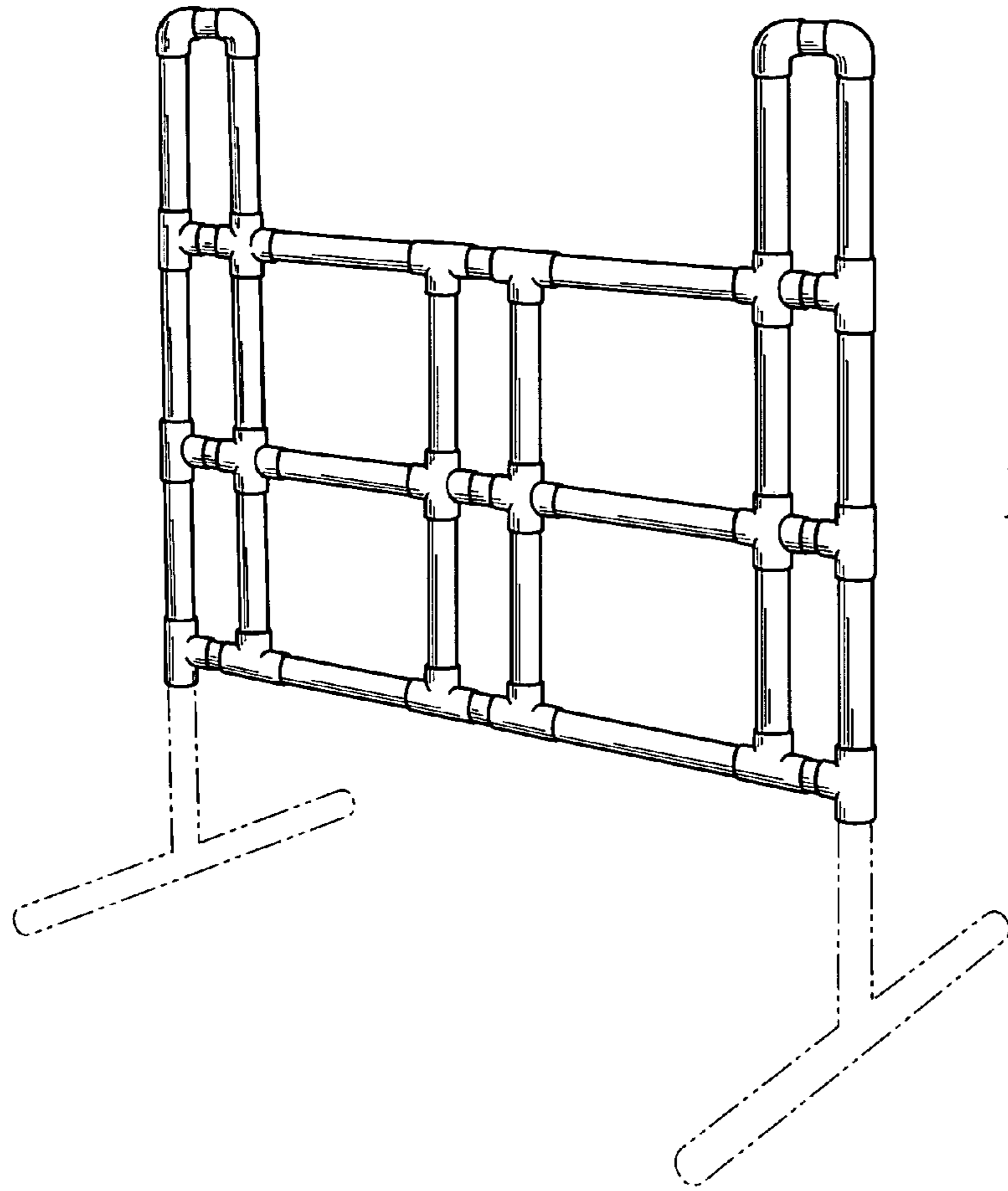


Fig. 1

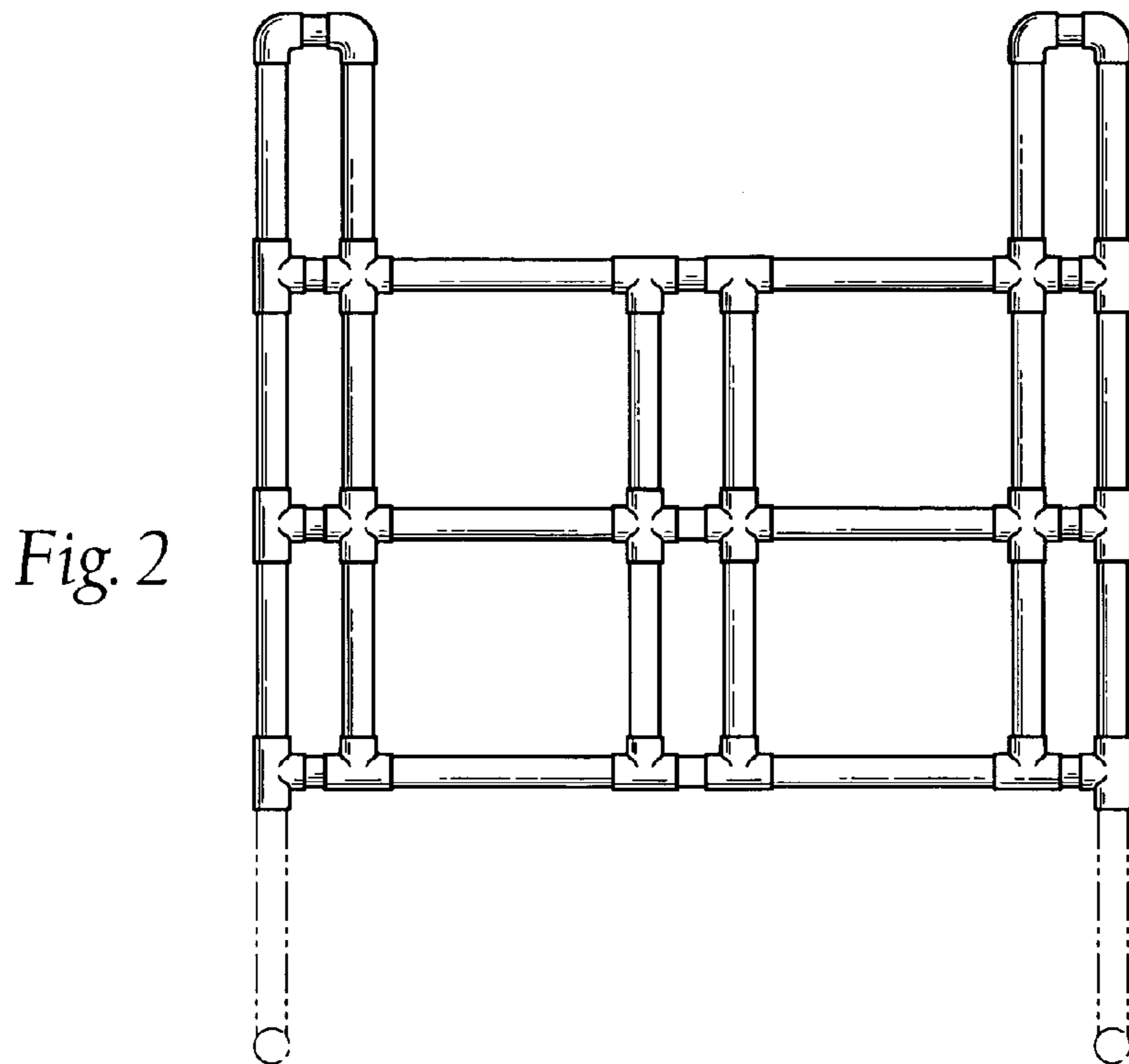


Fig. 2

