



US00D578160S

(12) **United States Design Patent**  
**Louis et al.**

(10) **Patent No.:** **US D578,160 S**  
(45) **Date of Patent:** **\*\* Oct. 7, 2008**

(54) **FINGER WRAP ERASER**

(76) Inventors: **Sylvania Stewart Louis**, 405 Payton Ct., Stockbridge, GA (US) 30281; **Harry Riley**, 812 King Rd., Riverdale, GA (US) 30296

(\*\*) Term: **14 Years**

(21) Appl. No.: **29/292,247**

(22) Filed: **Oct. 5, 2007**

(51) **LOC (8) Cl.** ..... **19-06**  
(52) **U.S. Cl.** ..... **D19/53**  
(58) **Field of Classification Search** ..... D4/103;  
D8/90; D19/53; 2/21, 161.8, 163; 15/105.51,  
15/227, 424-434; 401/6, 7, 19, 49, 52; D29/113  
See application file for complete search history.

(56) **References Cited**

U.S. PATENT DOCUMENTS

2,363,216	A *	11/1944	Wong	294/25
2,547,886	A *	4/1951	Poux	607/112
2,602,302	A *	7/1952	Poux	62/530
2,730,745	A *	1/1956	Norman	132/312
2,807,815	A *	10/1957	Mack	15/118
3,882,867	A *	5/1975	Moran	604/293
4,698,854	A *	10/1987	Slimmon	2/338
4,763,940	A *	8/1988	Held	294/25
5,336,255	A *	8/1994	Kanare et al.	607/149
5,593,073	A *	1/1997	Finnegan	224/183
D418,248	S *	12/1999	Clark	D28/7

6,932,667	B1 *	8/2005	Koxlien	446/26
D557,476	S *	12/2007	Wetzler	D2/600
7,343,843	B2 *	3/2008	Sharpe et al.	86/50

\* cited by examiner

*Primary Examiner*—Elizabeth A Albert

(74) *Attorney, Agent, or Firm*—Rodgers & Rodgers

(57) **CLAIM**

The ornamental design for a finger wrap eraser, as shown and described.

**DESCRIPTION**

FIG. 1 is a perspective view of a finger wrap eraser showing my new design;

FIG. 2 is a top plan view thereof;

FIG. 3 is a left-side elevational view thereof;

FIG. 4 is a right-side elevational view thereof;

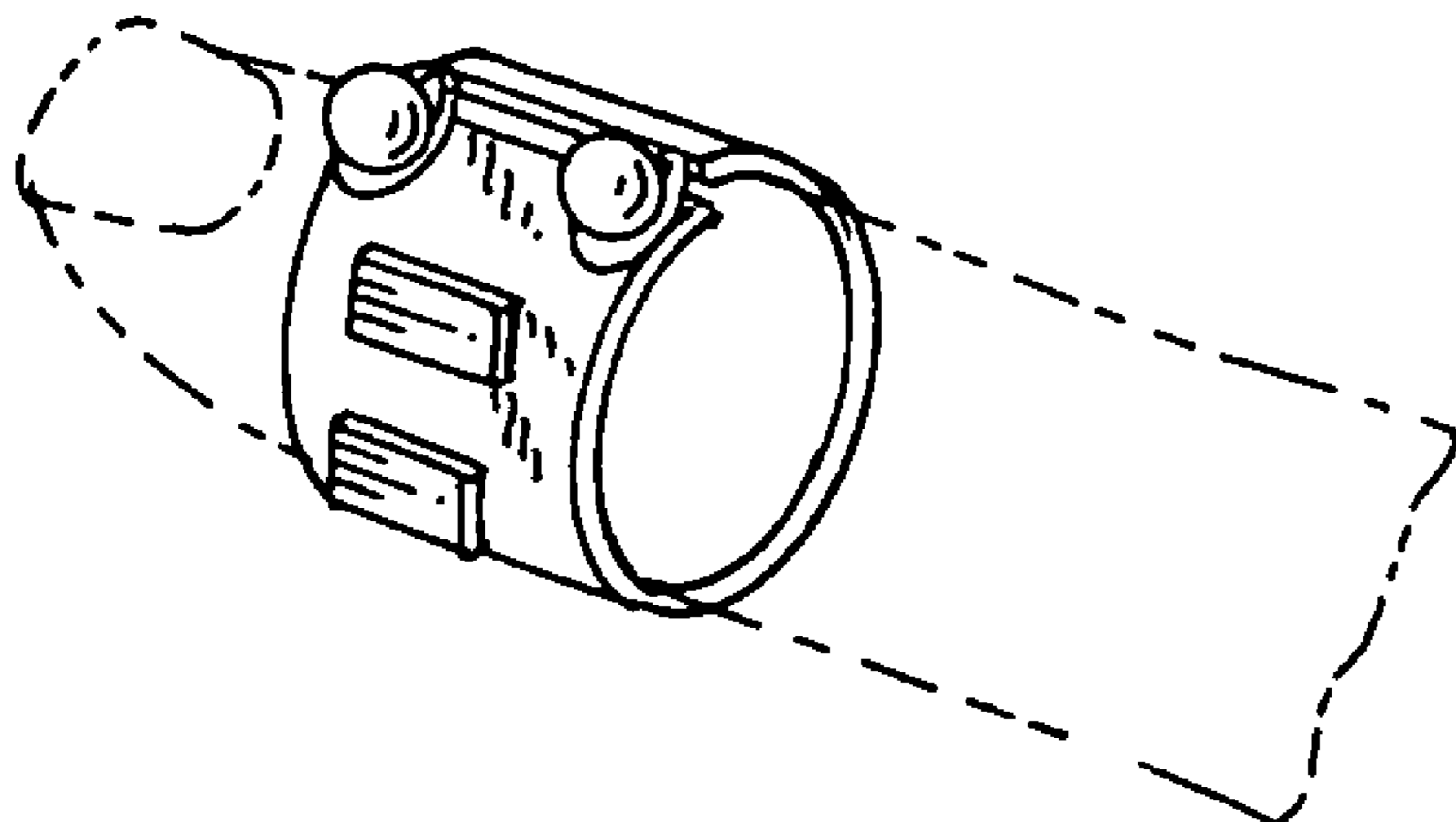
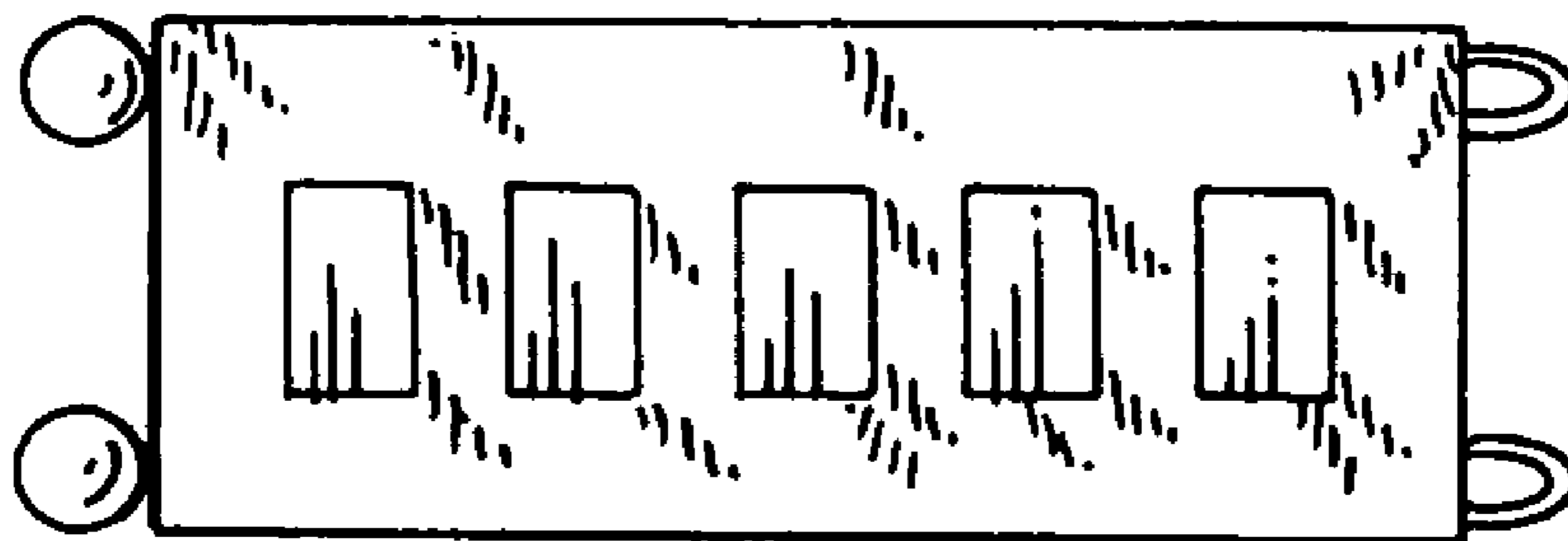
FIG. 5 is a bottom plan view thereof; and,

FIG. 6 is a perspective view thereof, shown in a condition on use.

The broken lines showing a finger in FIG. 6 are included for the purpose of illustrating environment and form no part of the claimed design.

The crisscross pattern in the drawings is understood to be distributed uniformly over the surfaces on which it is only intermittently shown; it represents a texture of material.

**1 Claim, 1 Drawing Sheet**



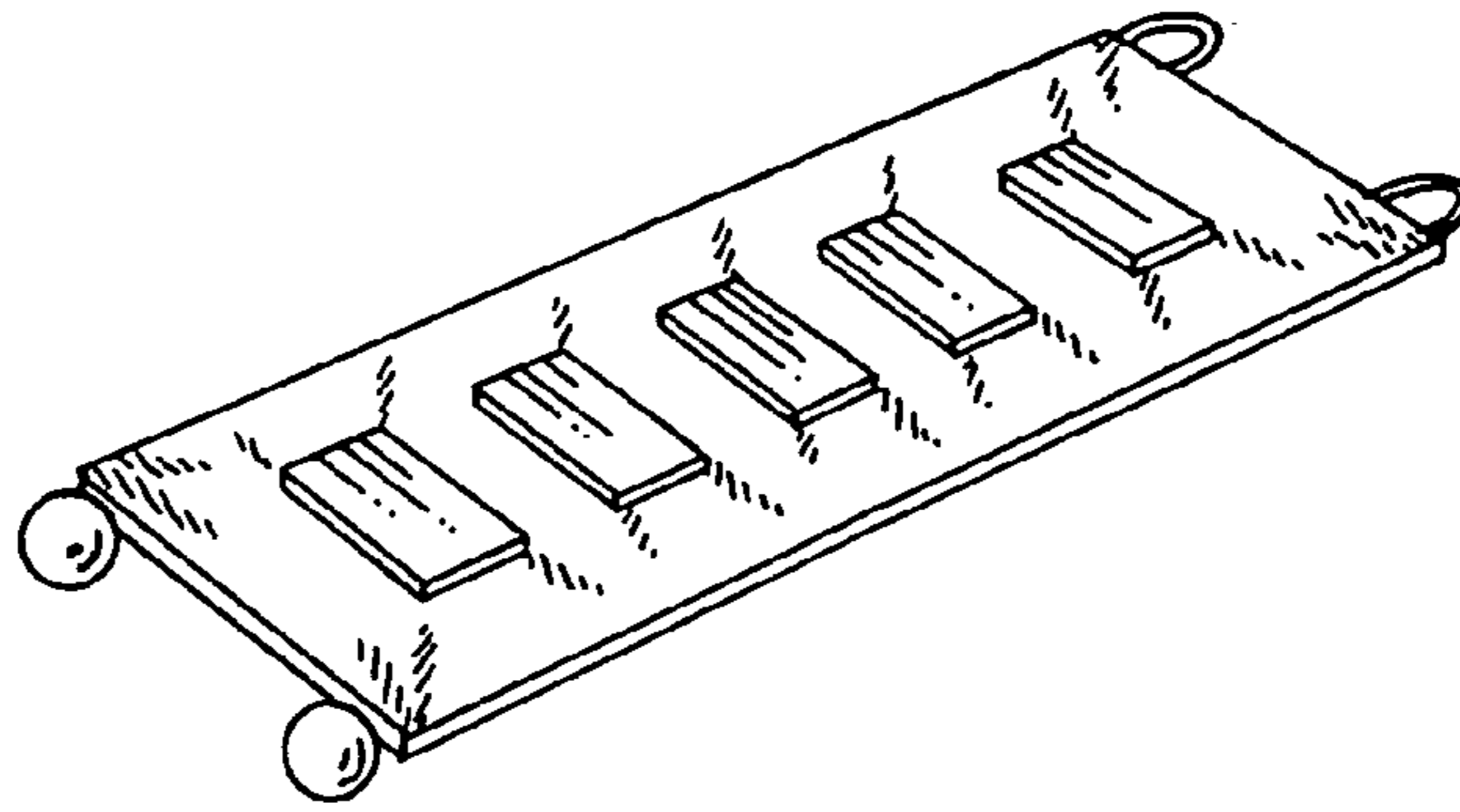


FIG. 1

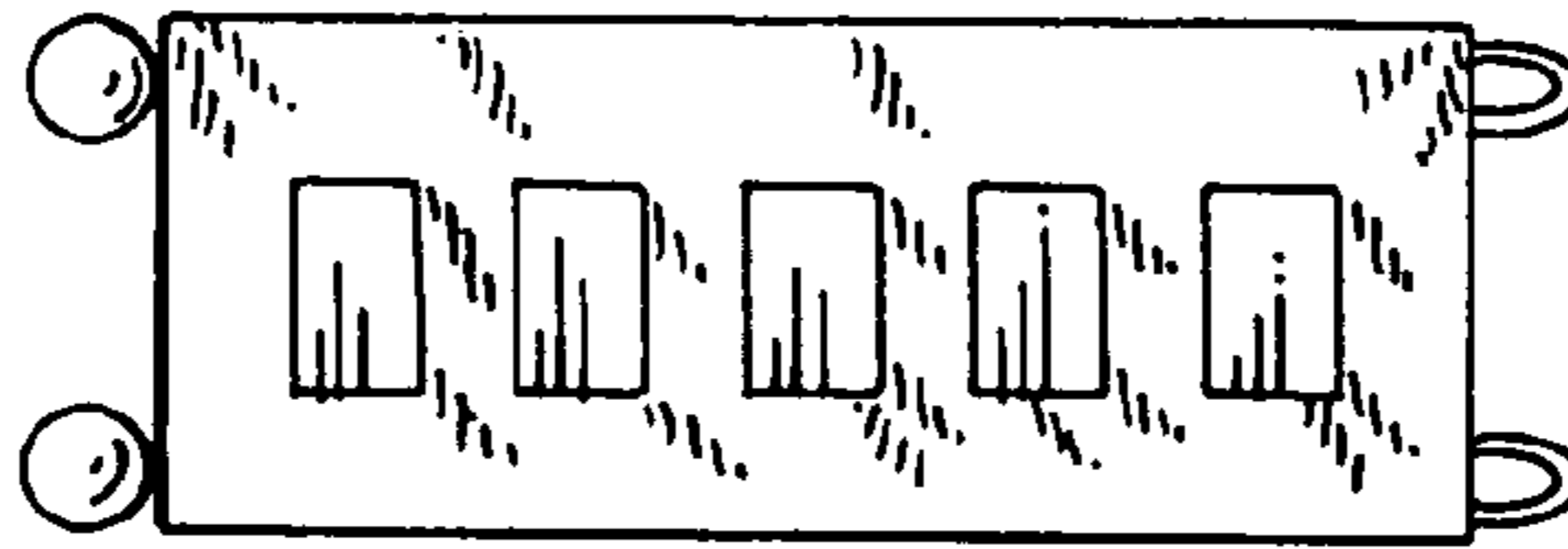


FIG. 2

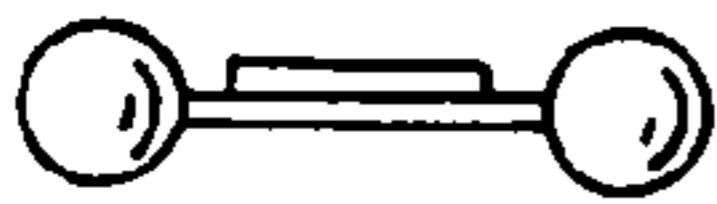


FIG. 3



FIG. 4

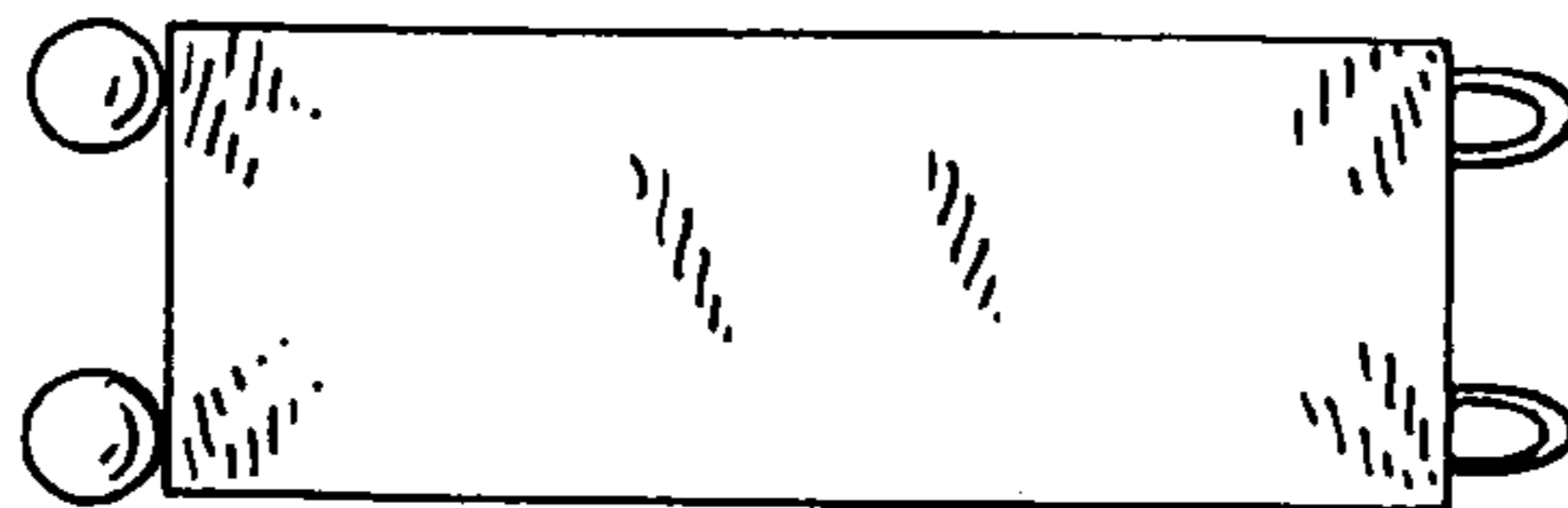


FIG. 5

FIG. 6

