



US00D578156S

(12) **United States Design Patent**
Learmonth et al.

(10) **Patent No.:** **US D578,156 S**
(45) **Date of Patent:** **** Oct. 7, 2008**

(54) **PRINTER**

(75) Inventors: **Murray Learmonth**, Temecula, CA (US); **Clarence R. King**, Solano Beach, CA (US); **Payman Hassibi**, San Diego, CA (US); **Dario Giovanni Miticocchio**, LaJolla, CA (US)

(73) Assignee: **Hewlett-Packard Development Company, L.P.**, Houston, TX (US)

(**) Term: **14 Years**

(21) Appl. No.: **29/266,582**

(22) Filed: **Sep. 25, 2006**

(51) **LOC (8) Cl.** **18-02**

(52) **U.S. Cl.** **D18/50**; D18/56

(58) **Field of Classification Search** D18/56,
D18/55, 50, 4.3, 12.3, 36-41, 43, 44, 46-49,
D18/14, 18, 21, 51, 54, 54.1, 58, 34.1, 34.9,
D18/35, 35.1, 99; D16/246-248; D14/420-425;
399/107

See application file for complete search history.

(56) **References Cited**

U.S. PATENT DOCUMENTS

D411,835 S *	7/1999	Mizusugi et al.	D14/434
D504,696 S *	5/2005	Swayze et al.	D18/50
D521,059 S *	5/2006	Richtsmeier et al.	D18/55
D523,897 S *	6/2006	Iue	D18/54
7,075,579 B2 *	7/2006	Whitby et al.	348/375
D535,614 S *	1/2007	Majanen et al.	D13/108
D542,279 S *	5/2007	Chan	D14/216
D551,213 S *	9/2007	Andre et al.	D14/217
D551,214 S *	9/2007	Hussaini et al.	D14/217
D551,658 S *	9/2007	Hussaini et al.	D14/217
2006/0024114 A1 *	2/2006	Lyman et al.	400/613

OTHER PUBLICATIONS

[http://cgi.ebay.com/NEW-KODAK-EASYSHARE-PHOTO-PRINTER-DOCK-PictBridge\(ITEM 150033...\)](http://cgi.ebay.com/NEW-KODAK-EASYSHARE-PHOTO-PRINTER-DOCK-PictBridge(ITEM_150033...)), Sep. 25, 2006, 8 Pgs.

<http://h10025.www1.hp.com/ewfrf/wc/genericDocument?cc=us&docname=c00660907&1c...>, HP Photosmart A432, A433, A434, and A536 Printer Product Specifications Sep. 25, 2006, 5 Pgs.

http://www.dcresource.com/specials/PS912_vs_DX4900. DCRP Review: Two Cheap Four Megapixel Cameras HP Photosmart 812/Kodak Easy share DX4900 by Jeff Keller, Sep. 25, 2006. 14Pgs.

* cited by examiner

Primary Examiner—Robert M. Spear
Assistant Examiner—Ania K Dworzecka

(57) **CLAIM**

We claim the ornamental design for a printer, as shown and described.

DESCRIPTION

FIG. 1 is a top front perspective view of a printer showing our new design;

FIG. 2 is a top rear perspective thereof;

FIG. 3 is a top plan view thereof;

FIG. 4 is a left end elevational view thereof, the right end elevational view being a mirror image of the left end elevational view shown;

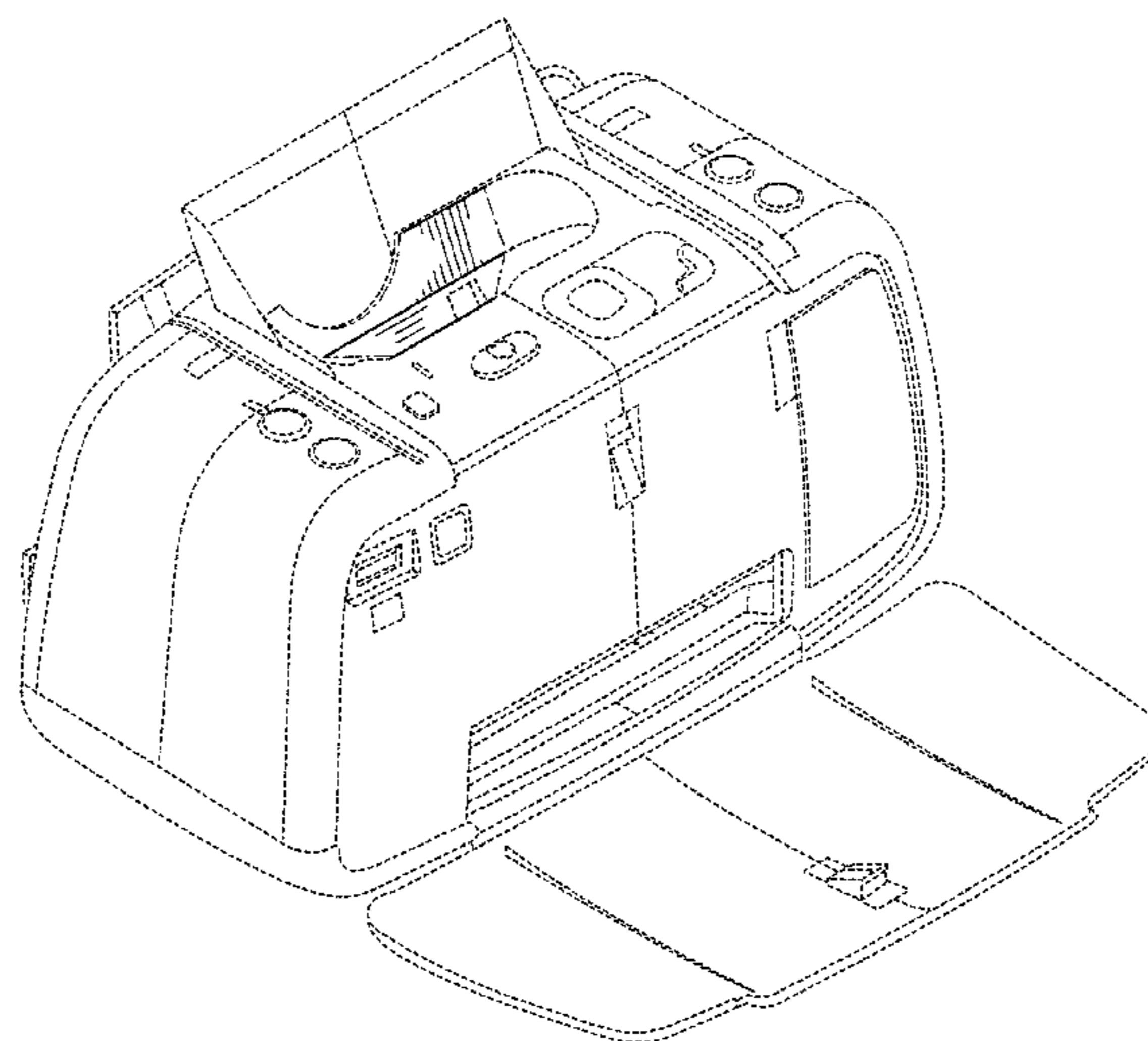
FIG. 5 is a front elevational view thereof;

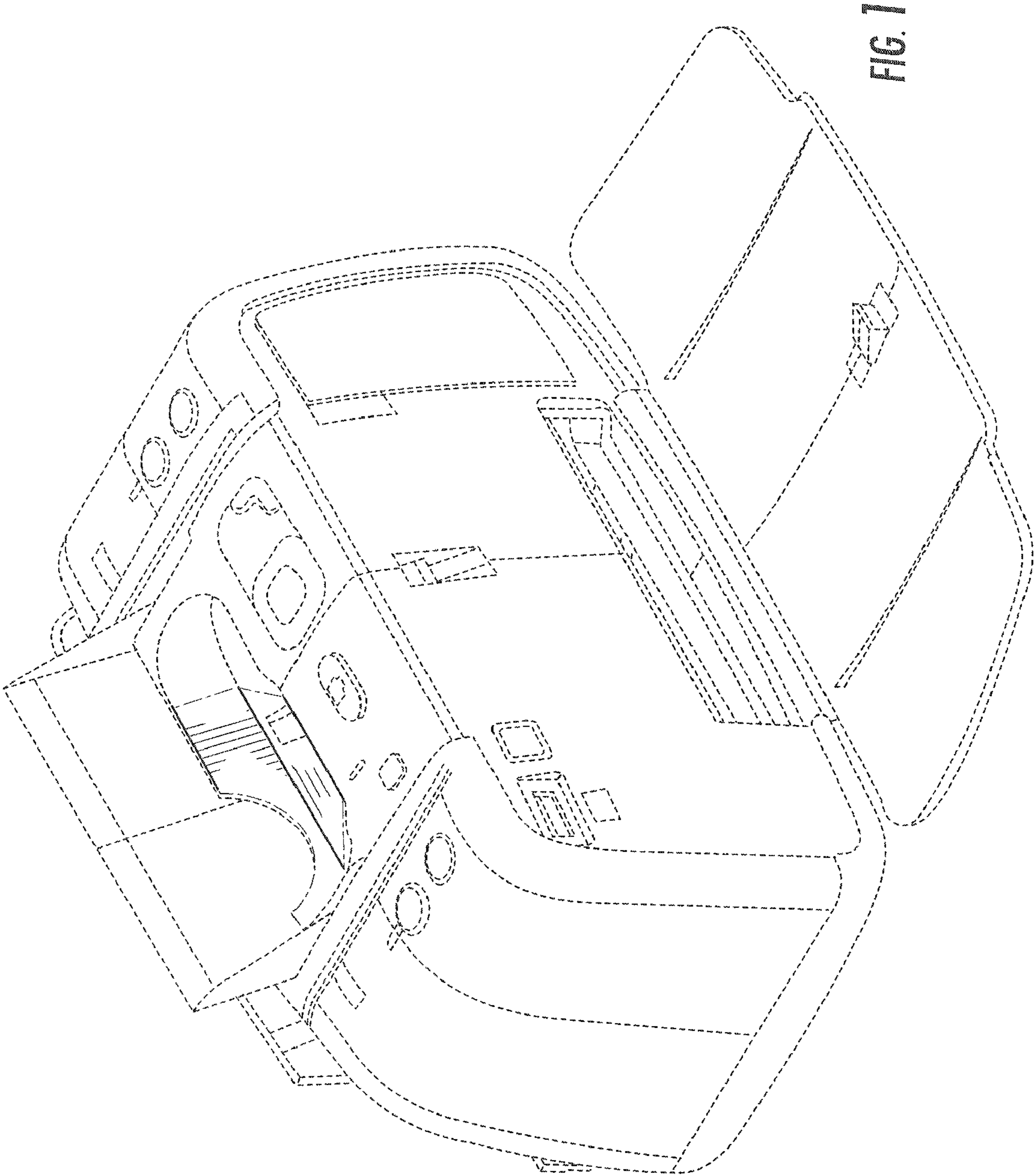
FIG. 6 is a rear elevational view thereof; and,

FIG. 7 is a top plan view of another embodiment of the printer of FIG. 1, the only difference being the configuration of the top cavity, it being understood that all other surfaces are the same as those of the first embodiment.

The long dash short dash broken lines in the drawings are boundary lines. The uniform dash broken lines in the drawings are environmental lines and form no part of the claimed design.

1 Claim, 7 Drawing Sheets





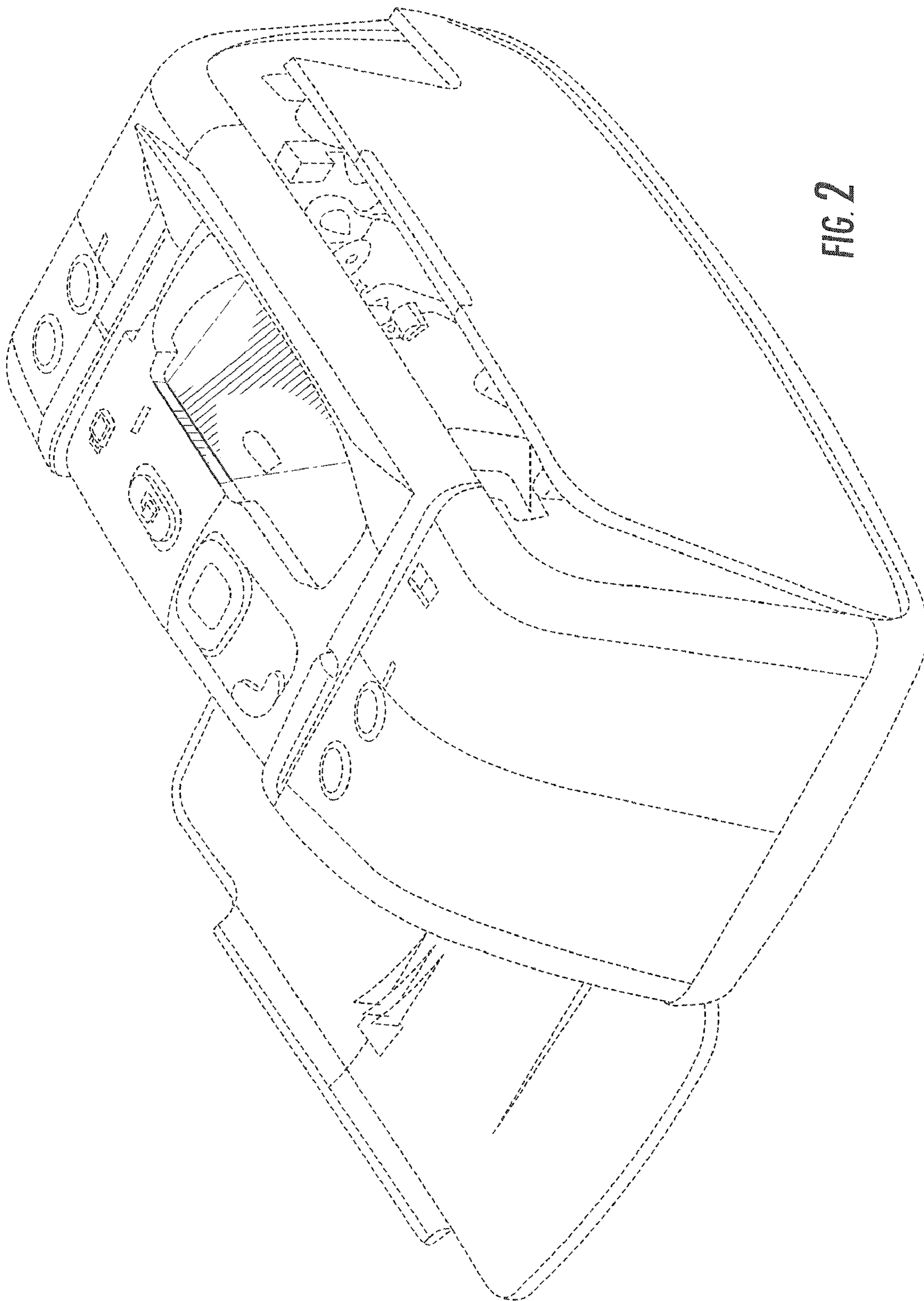


FIG. 2

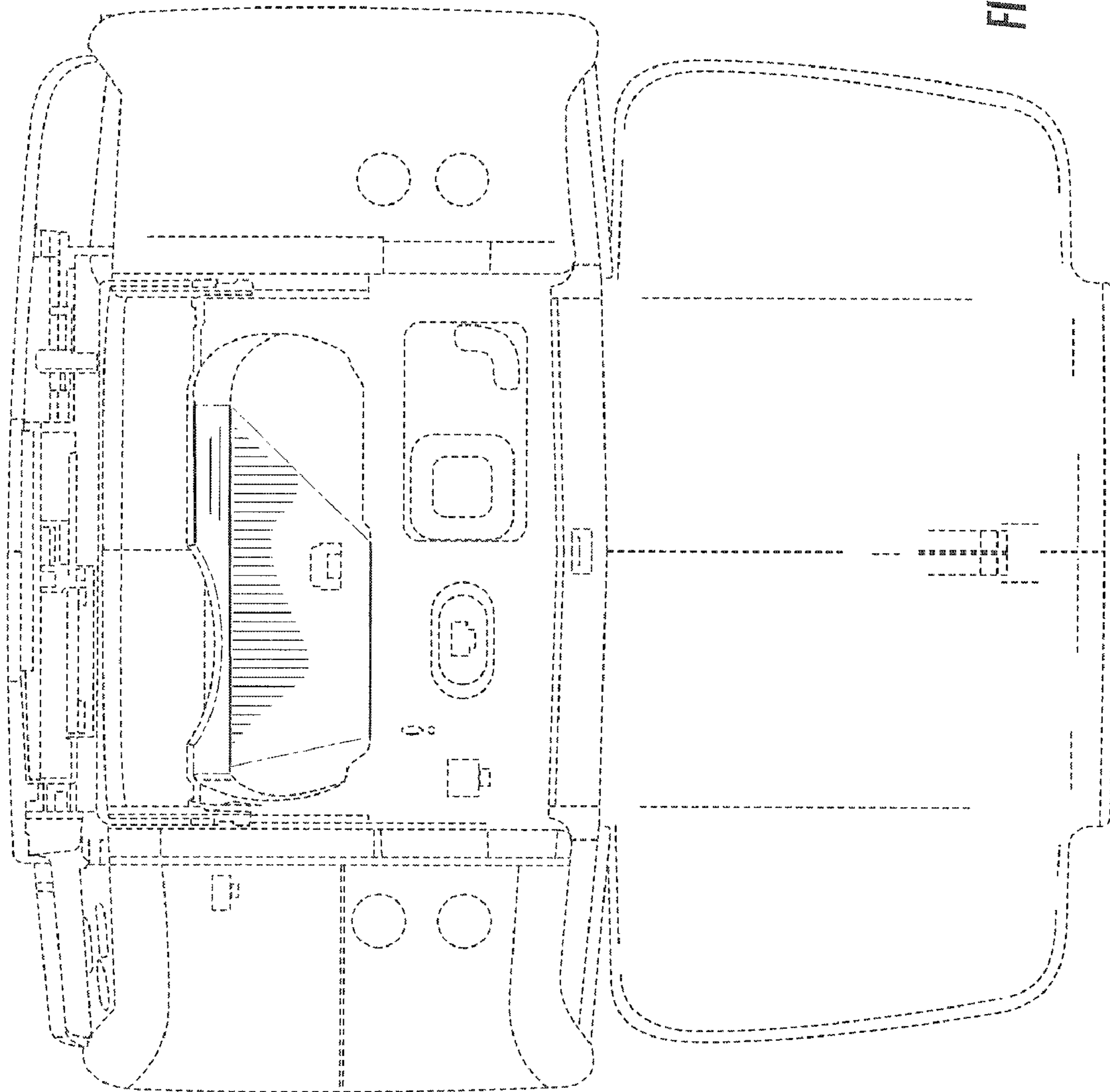


FIG. 3

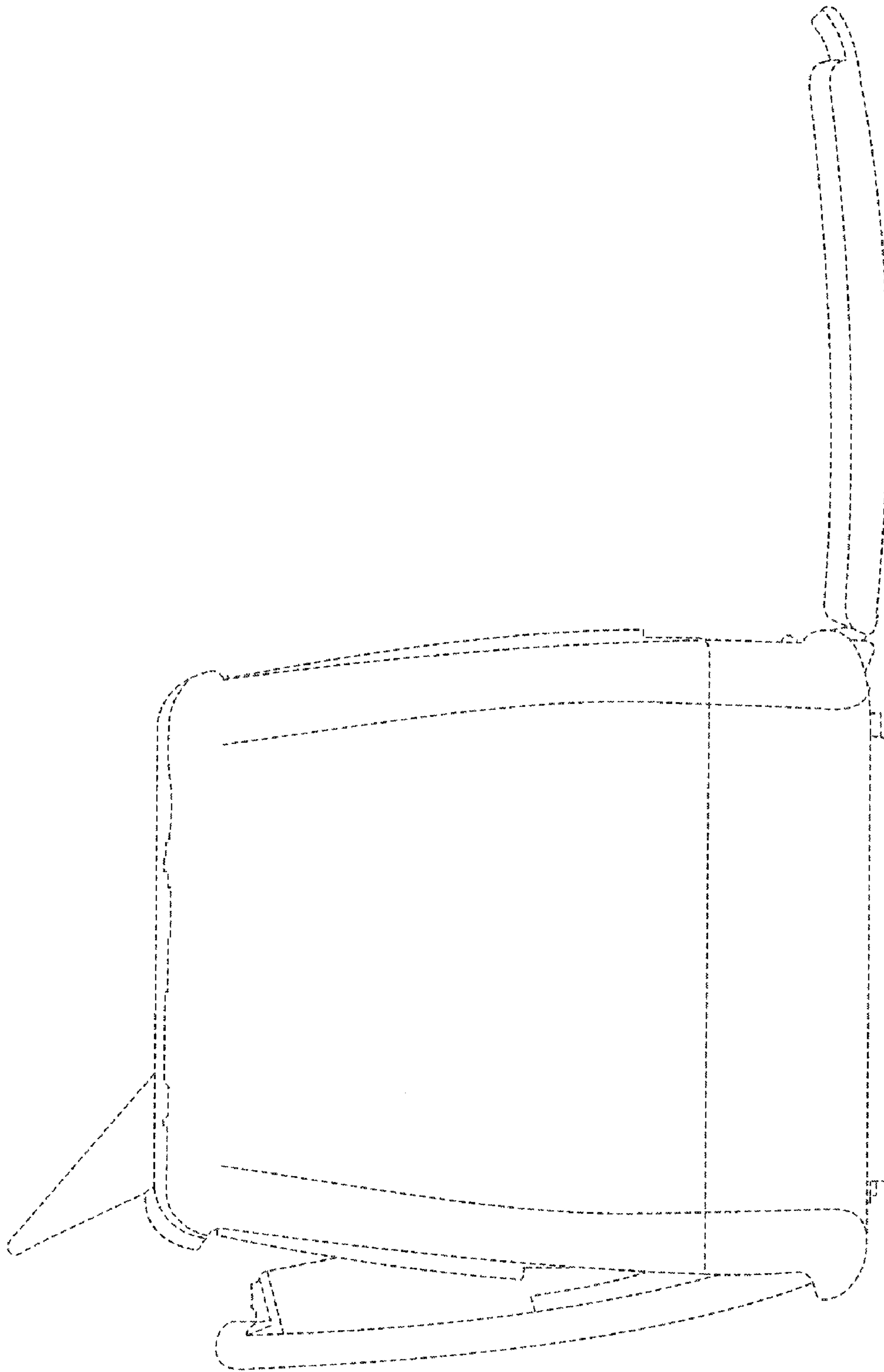


FIG. 4

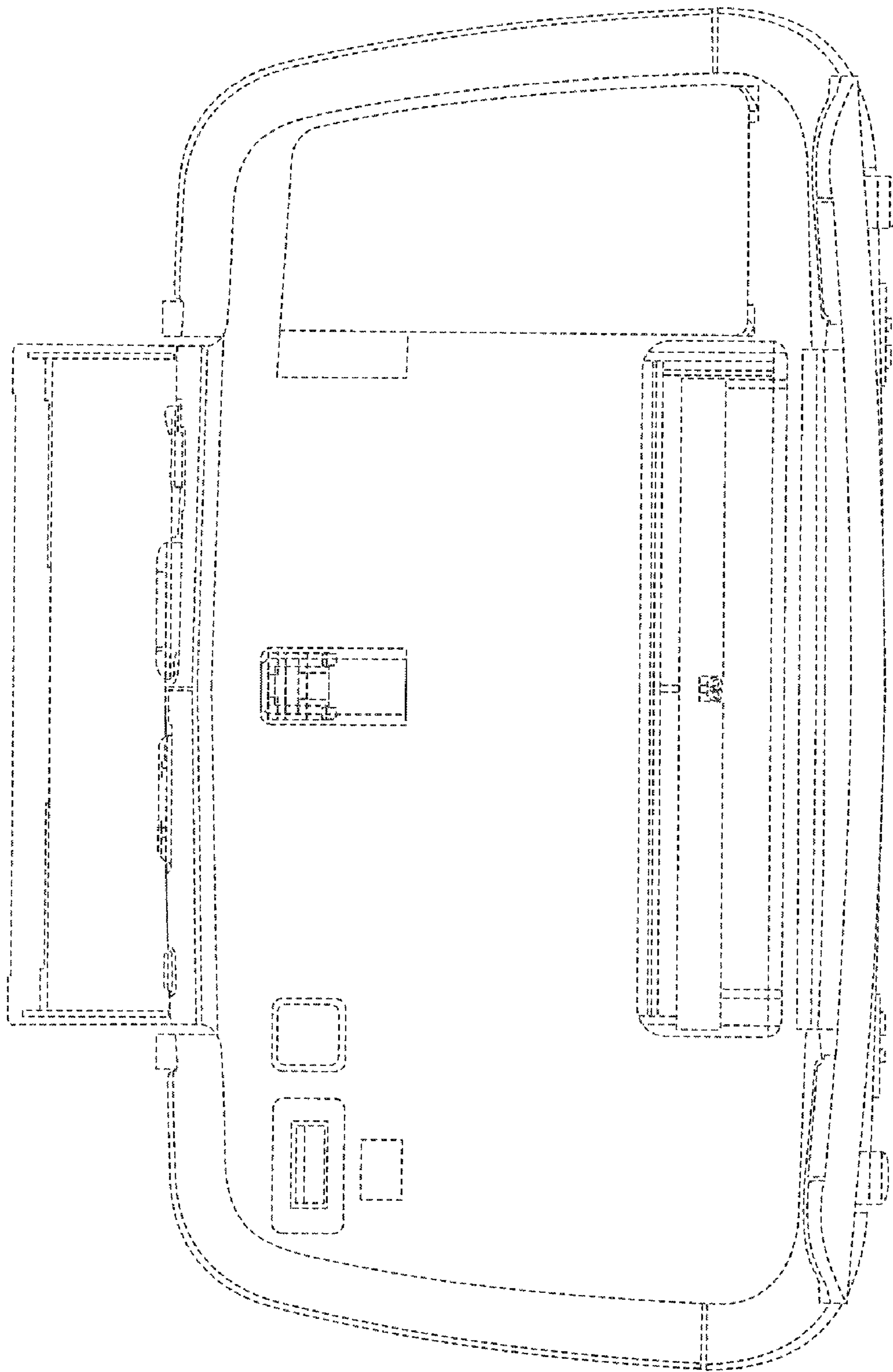


FIG. 5

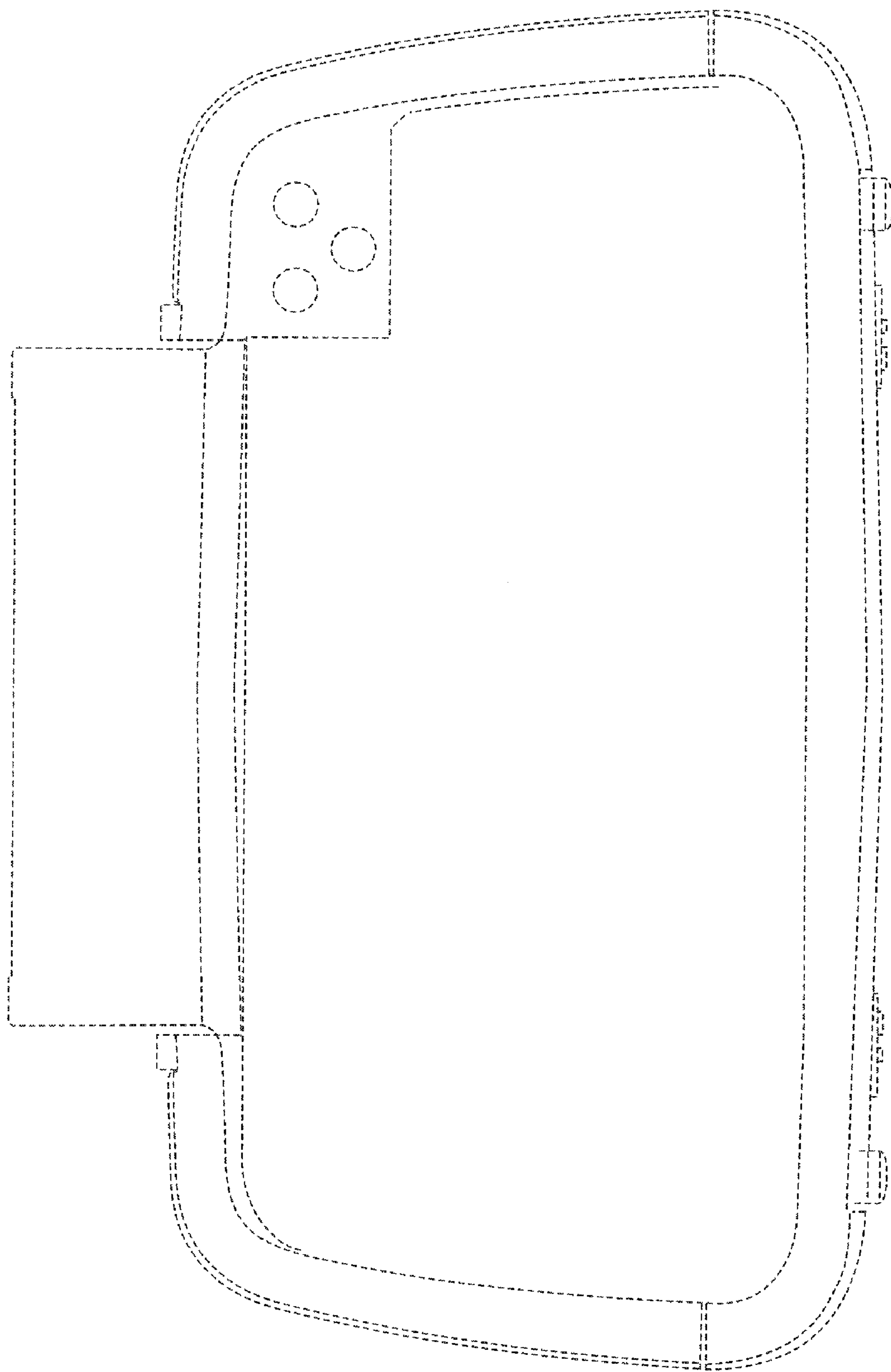


FIG. 6

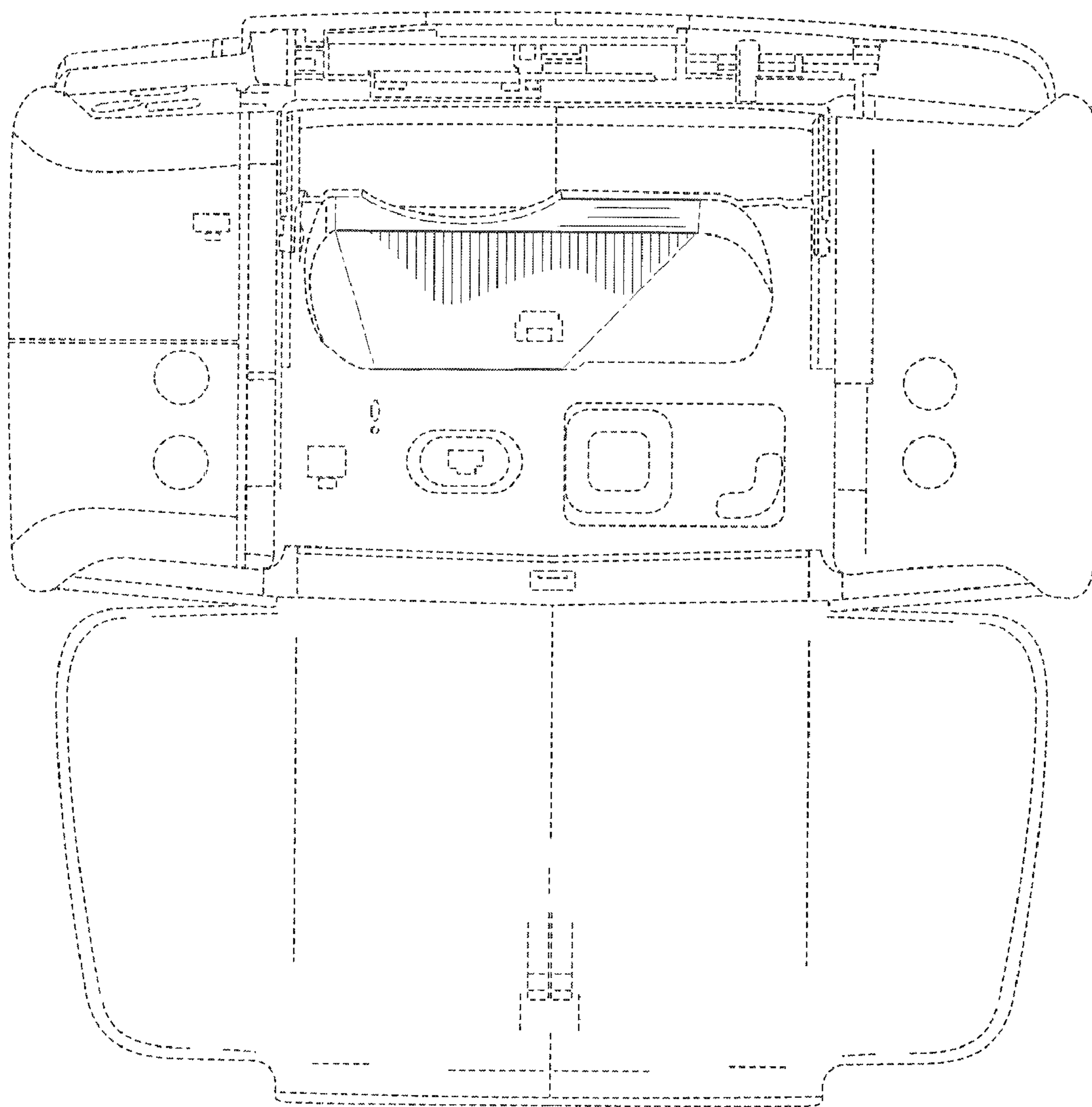


FIG. 7